

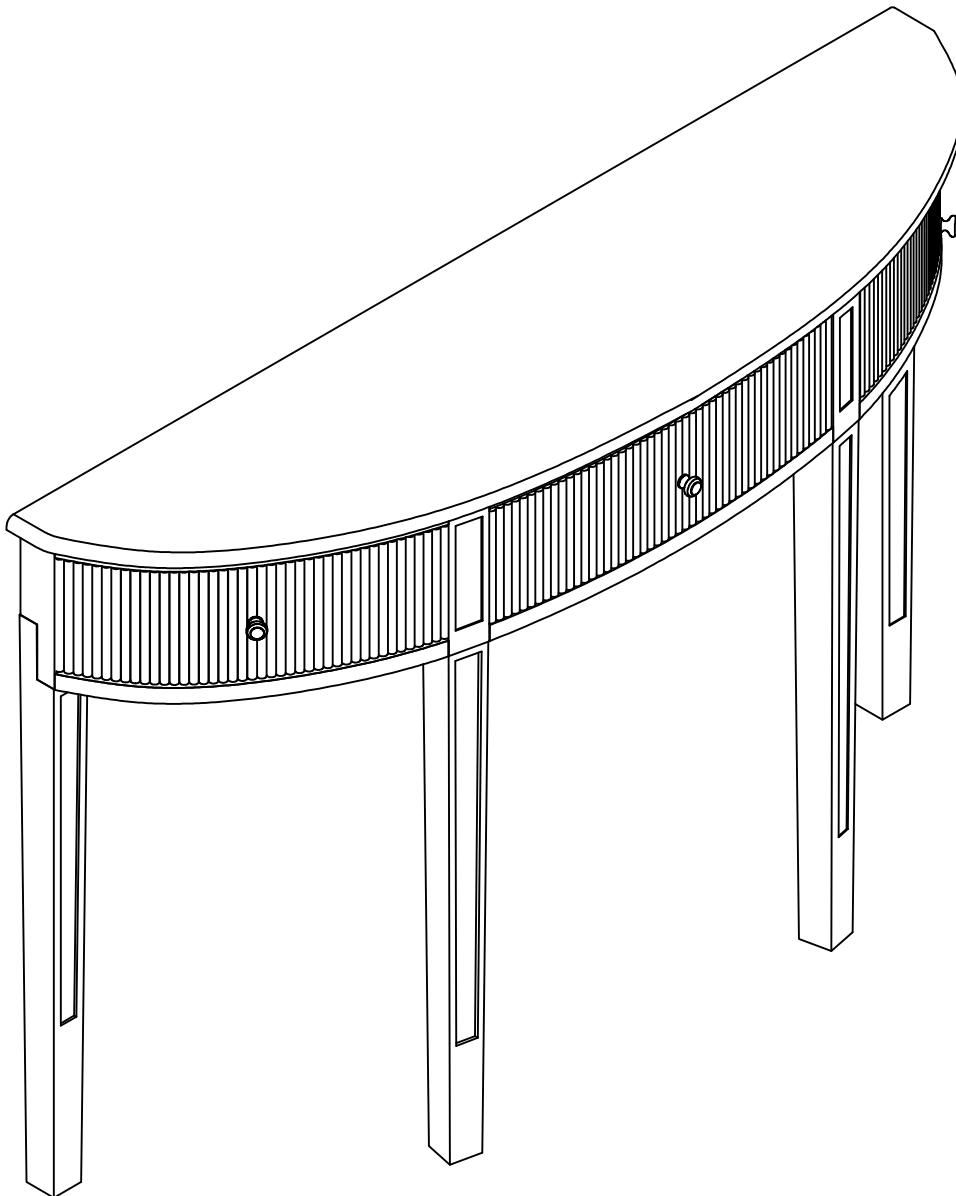
Assembly Instructions

CURVED CONSOLE TABLE

Thank you for purchasing this quality product. Be sure to check all packing materials carefully for small parts, which may have come loose inside the carton during shipment. Identify and count all items and compare with the PARTS LIST and/or HARDWARE LIST shown below.

Caution: Please read the instructions thoroughly before assembly.

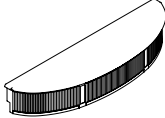
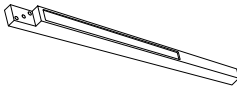
1. We recommend that you assemble this product with the assistance of another person; this will make the assembly easier, and will help eliminate damage to the product or injury to persons during assembly.
2. Please do not over tighten screws or bolts until the assembly is completed.
3. Please put all parts on a non-abrasive floor before assembly, and follow the assembly steps to assemble your newly purchased product correctly and efficiently.



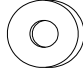

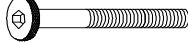

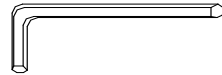

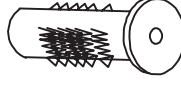
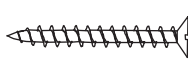

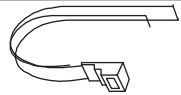
Assembly Instructions

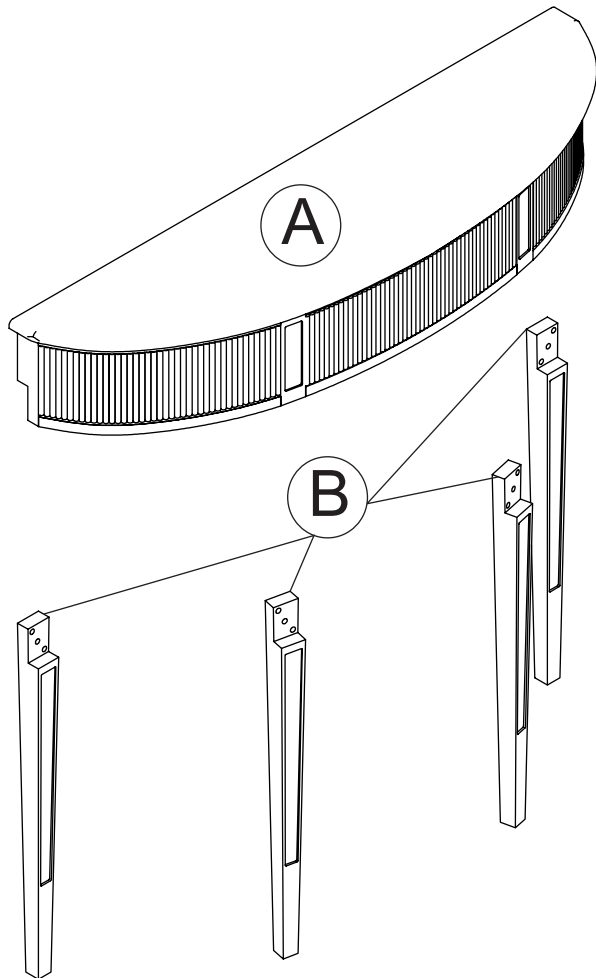
CURVED CONSOLE TABLE

PARTS LIST

NO.	COMPONENT	SKETCH	QTY
A	TOP FRAME		1 PC
B	LEGS		4 PCS

HARDWARE LIST

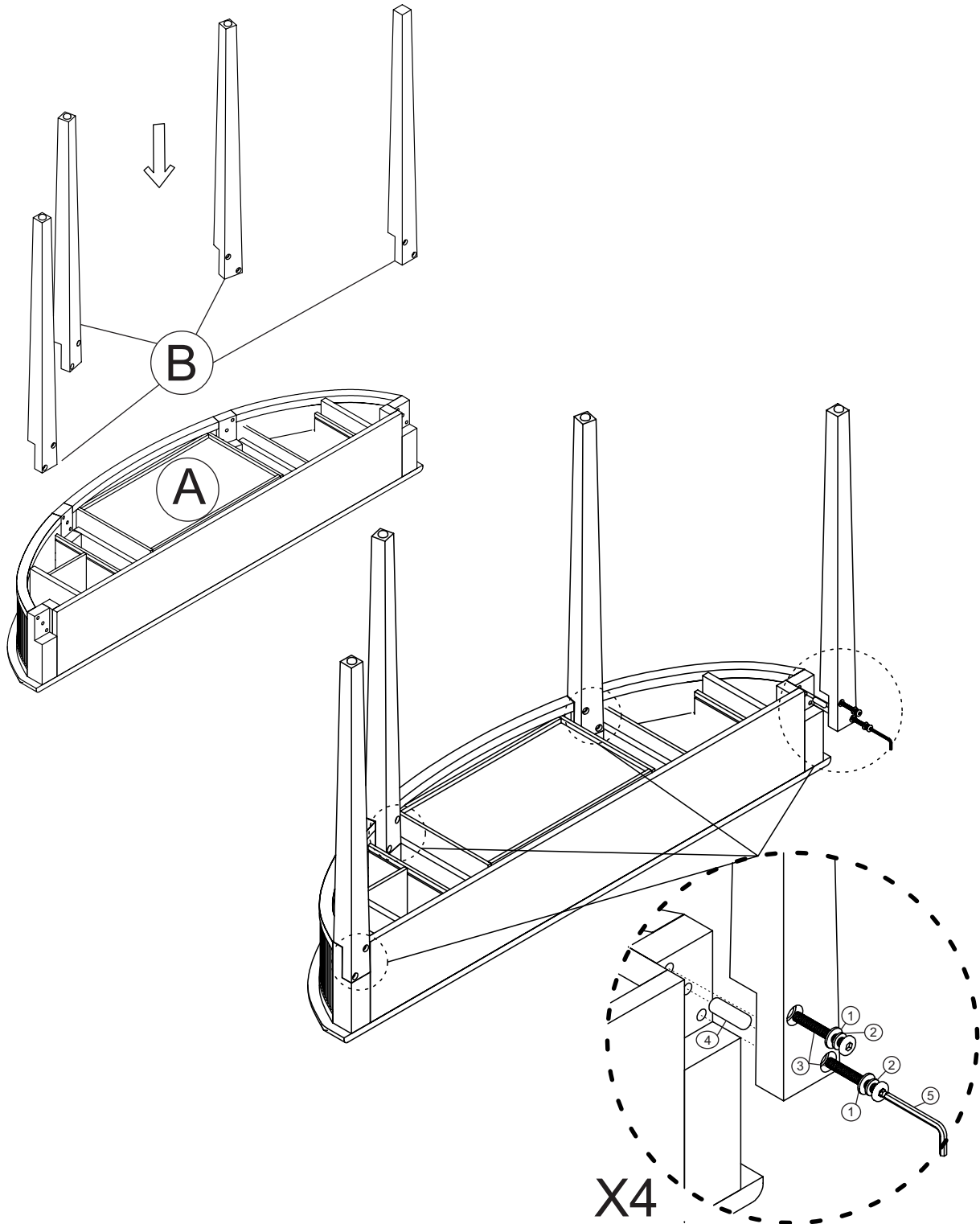
NO.	COMPONENT	SKETCH	QTY.
1	FLAT WASHER 1/4" DIA.		8 PCS
2	SPRING WASHER 1/4" DIA.		8 PCS
3	BOLT 1/4" X 38		8 PCS
4	WOODEN DOWEL #10 x 30		4 PCS
5	ALLEN KEY M4		1 PC
6	L Patch (Anti-Tip Kit)		2 PCS
7	Plastic Anchor (Anti-Tip Kit)		1 PC
8	LONG SCREW #4 x 40mm (Anti-Tip Kit)		1 PC
9	SHORT SCREW #3.5 x 15mm (Anti-Tip Kit)		1PC
10	Steel Strap (Anti-Tip Kit)		1PC



Assembly Instructions

CURVED CONSOLE TABLE

STEP 1



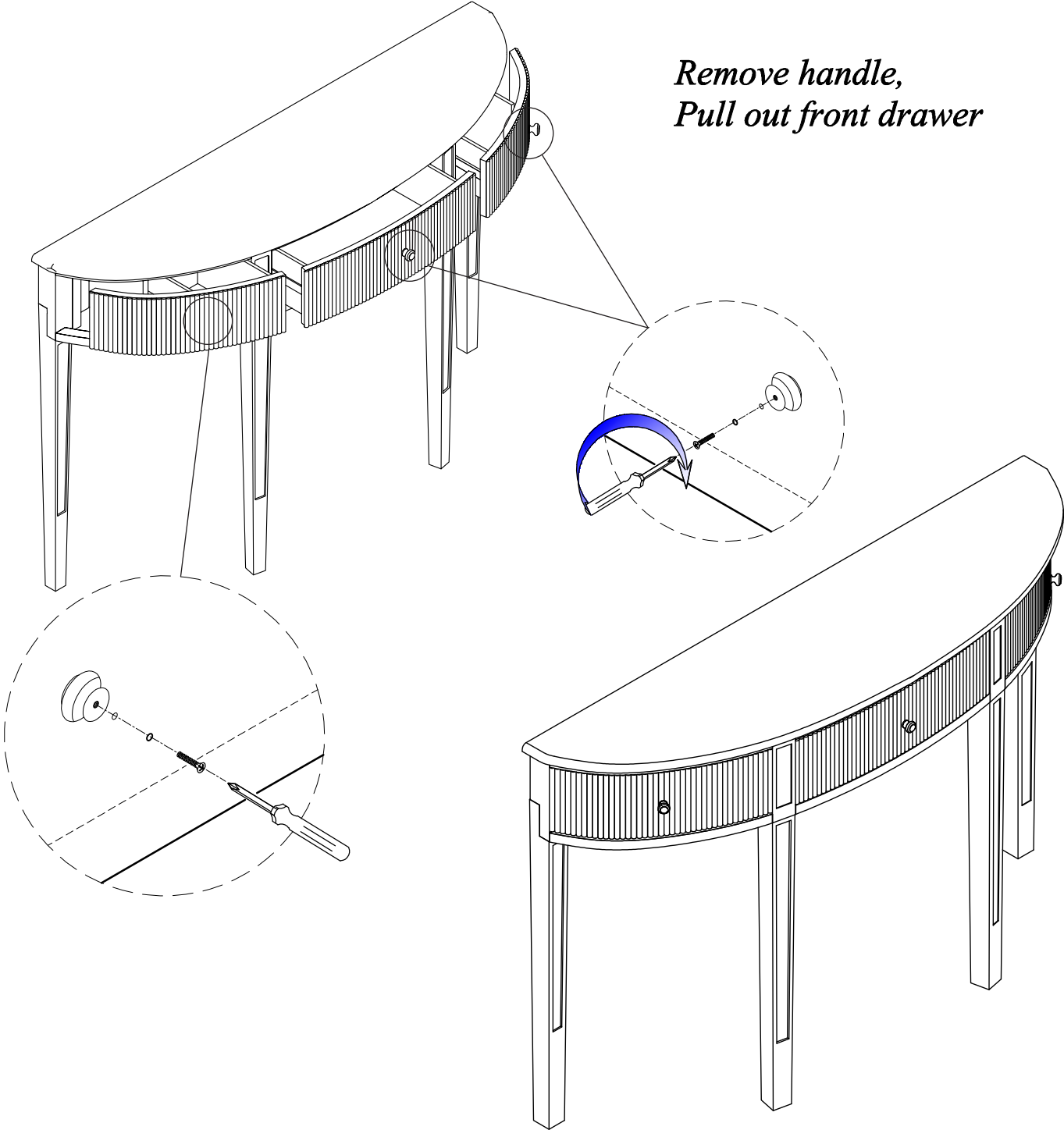
A x1 B x4 ①x8 ②x8 ③x8 ④x4 ⑤x1

Assembly Instructions

CURVED CONSOLE TABLE

STEP 2

*Remove handle,
Pull out front drawer*

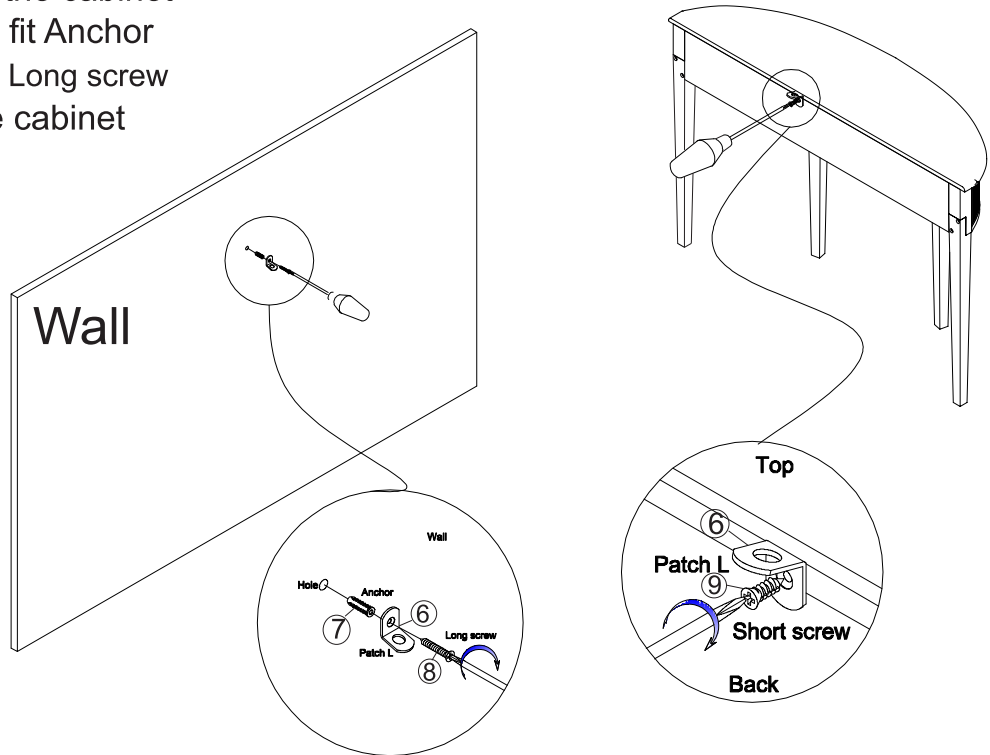


Assembly Instructions

CURVED CONSOLE TABLE

STEP 3

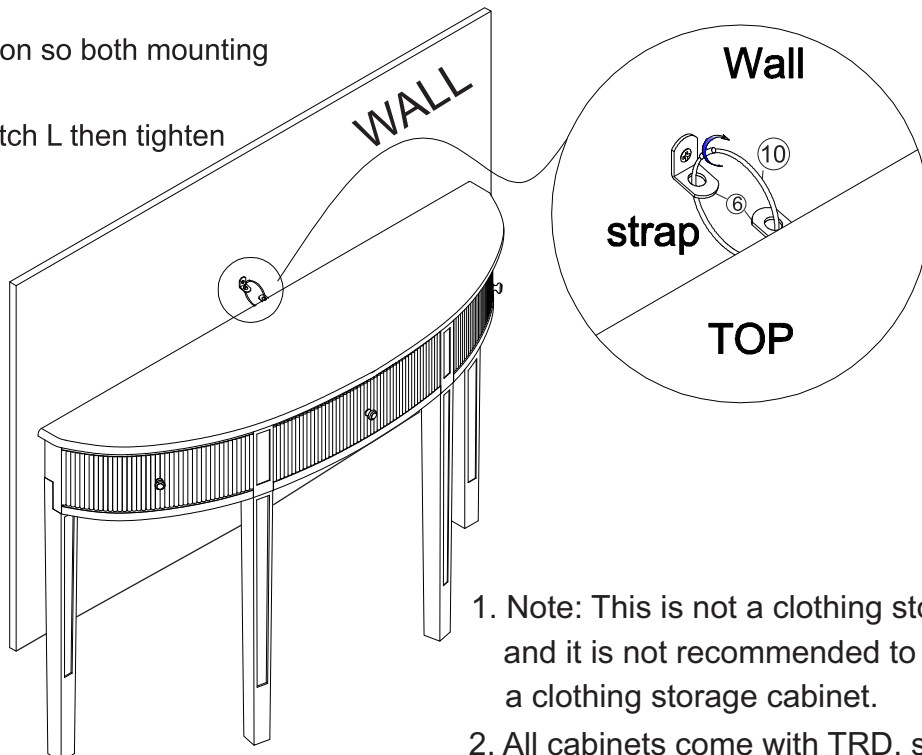
- Select the location to place the cabinet
- Drill a hole in the dry wall to fit Anchor
Then included the Patch L with Long screw
- Assembly the Patch L to the cabinet
and affix by short Screw



⑥x2 ⑦x1 ⑧x1 ⑨x1

STEP 4

- Place the cabinet into position so both mounting
Patch are vertically in line
- Put the strap into hole of Patch L then tighten
the steel wire



1. Note: This is not a clothing storage cabinet and it is not recommended to use it as a a clothing storage cabinet.
2. All cabinets come with TRD, stainless steel or our "L-Bracket "when shipped.

⑩ x1