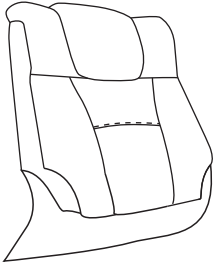
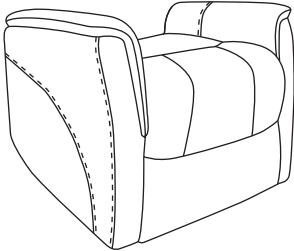


Swivel Rocker Recliner Chair




Assembly Instructions

Thank you for purchasing this quality product. Be sure to check all packing material carefully for small parts that may have come loose inside the carton during shipment.

Part List

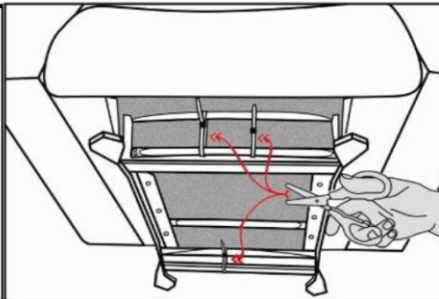
A  Backrest 1PC	B  Body 1PC
--	---

Hardware List

1 Handle  1PC	2 Screw  1PC	3 Screwdriver  1PC
--	---	---

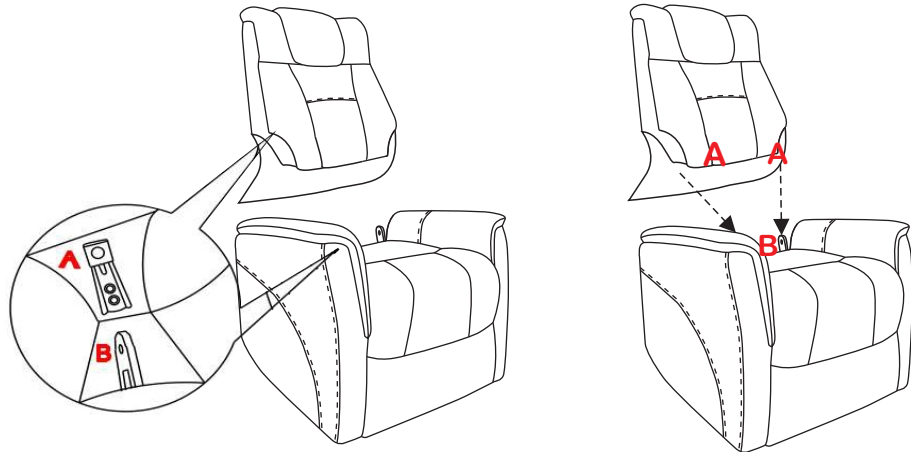
WARNING

Before using this product, the plastic fastener, which locks the mechanism, must be cut and removed.



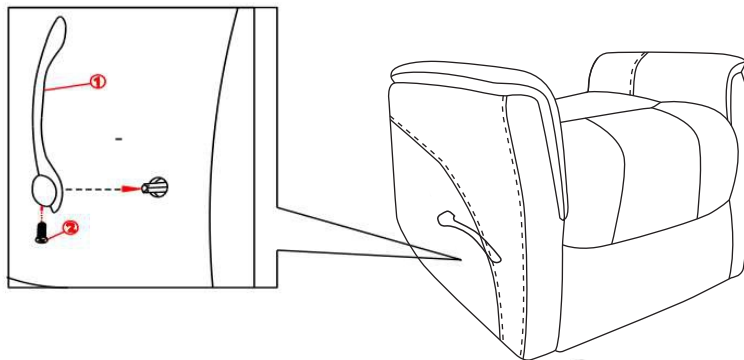
Step 1.

Position the back with the KD receiver(A) positioned over the mechanism post (B) as pictured at the right. Check to assure both sides of the mechanism are positioned inside of the KD receivers on the back frame, pushing in a downward motion from the top of the back frame until a clicking sound is heard. Once the Back is locked in position, attach the outside back to the bottom of the recliner with the preattached velcro



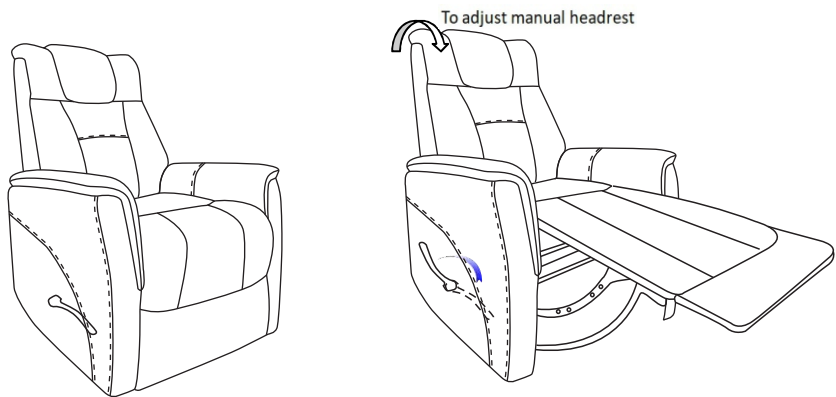
Step 2.

Attach the handle to the mechanism post extending from the outside arm as seen at the right. Insert the screw and securely tighten. Be careful not to over tighten the screw. Check the screw periodically to assure it remains tight



Step 3.

Note: Your recliner comes with Manual Headrest function. To position the headrest push from the top of the back forward to the desired position. To return the headrest to its home position, push the headrest all the way forward then pull the headrest back until it stops



NOTES:

•Weight Capacity 350 LBS.

•Wall Clearance Required 4 Inches

⚠ WARNING: Do Not allow children to play on or operate the mechanized equipment

⚠ WARNING: Care should be taken to assure there is nothing in the patch of the mechanism before and during operation