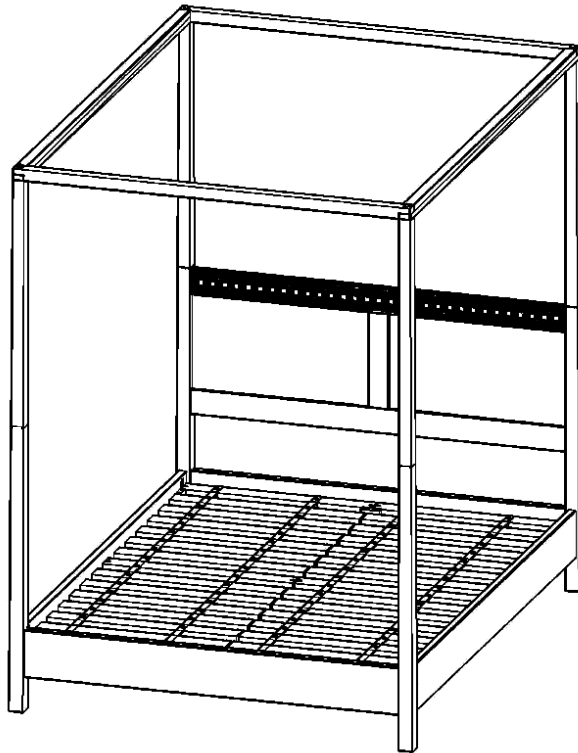


4 POSTER END 5'

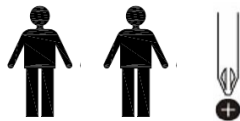
Thank you for purchasing this Bed. Please read the instructions carefully before use to ensure safe and satisfactory operation of this product



Pre-assembly preparation

Please ensure instructions are read in full before attempting to assemble this product

Necessary Tools



Please check the pack contents before attempting to assemble this product. A full checklist of components is given in this leaflet. If any components are missing, please contact the retailer from whom you bought this product.

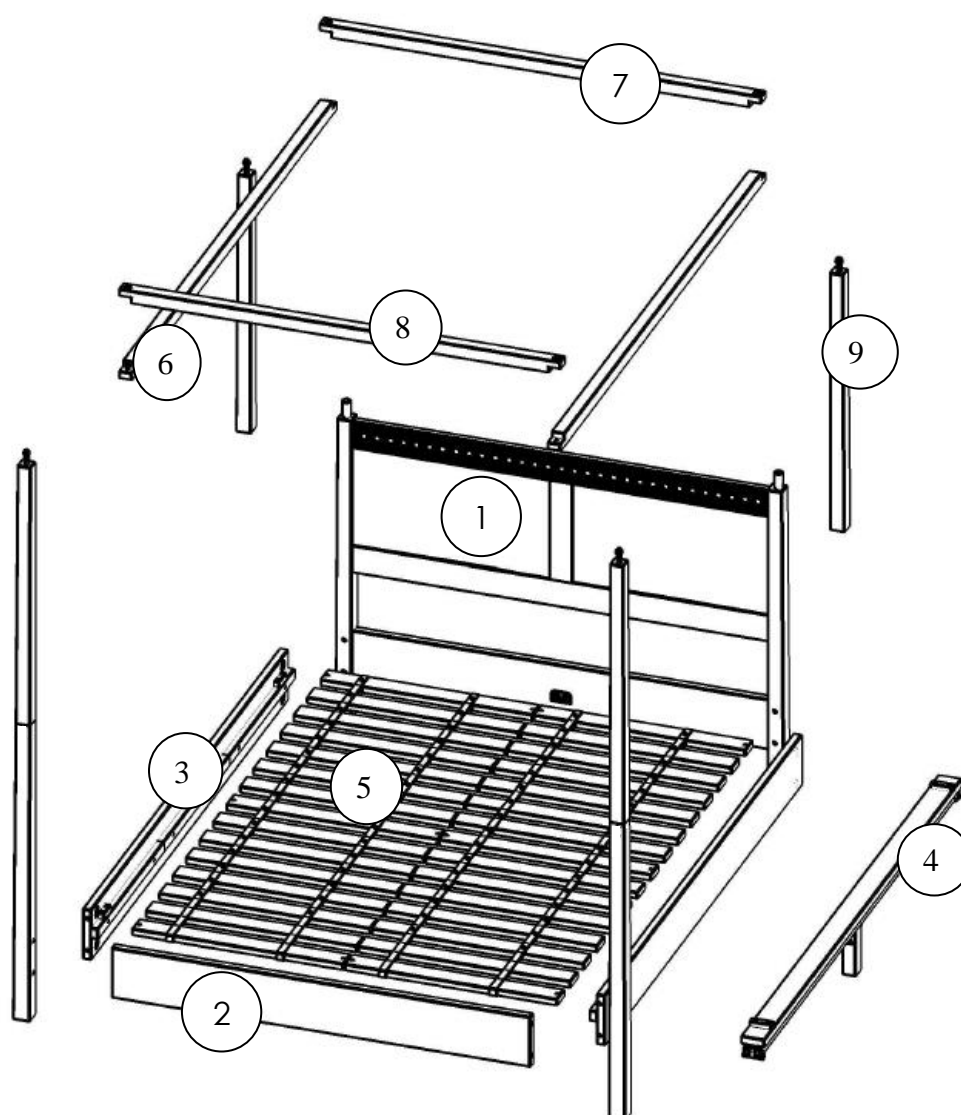
This product is **HEAVY**, it should be assembled as near as possible to the point of use. **TAKE CARE WHEN LIFTING** to avoid personal injury and (or) damage to the product.
(Include if relevant)



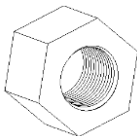

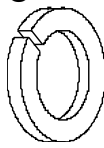




This product takes approximately **45 MINUTES** to assemble with **2 PEOPLE**.

The fittings pack contains **SMALL ITEMS** which should be **KEPT AWAY FROM YOUNG CHILDREN**.

Read this leaflet in full before commencing assembly.

Fittings and parts checklist

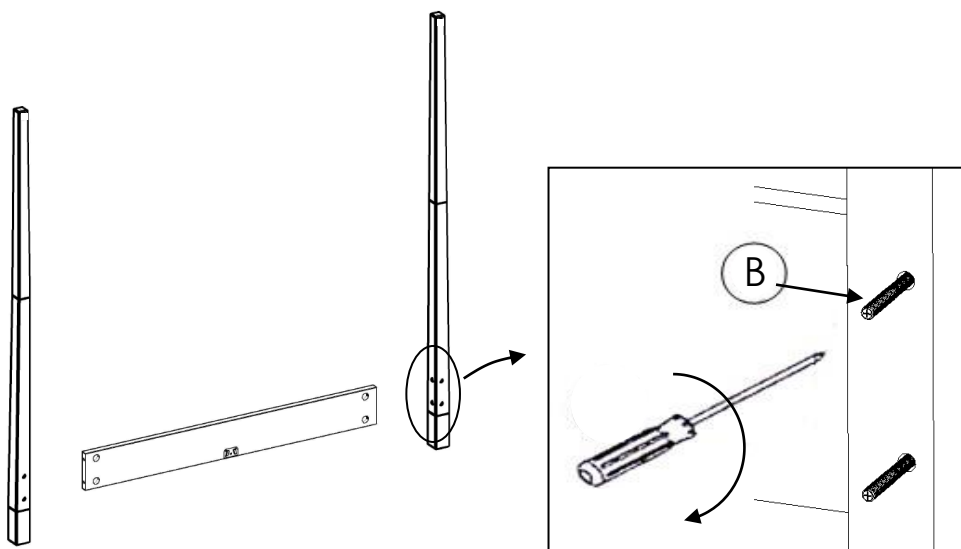


Item	Description	Qty	Item	Description	Qty	Item	Description	Qty
1	Headboard	1	2	Footboard bottom rail	1	3	Side Rail	2
4	Centre rail	1	5	Slats	30	6	Side top rail	2
7	Headboard top rail	1	8	Footboard top rail	1	9	Headboard upper post	2
A	Washer 	12	B	Bolt 	12	C	Nut 	12
D	Wrench Key 	1	E	Spring washer 	12	F	Screw 	4
G	Domed Nut 	4	H	Flat washer 	4	I	Screw+washer 	12

Step by step assembly instructions

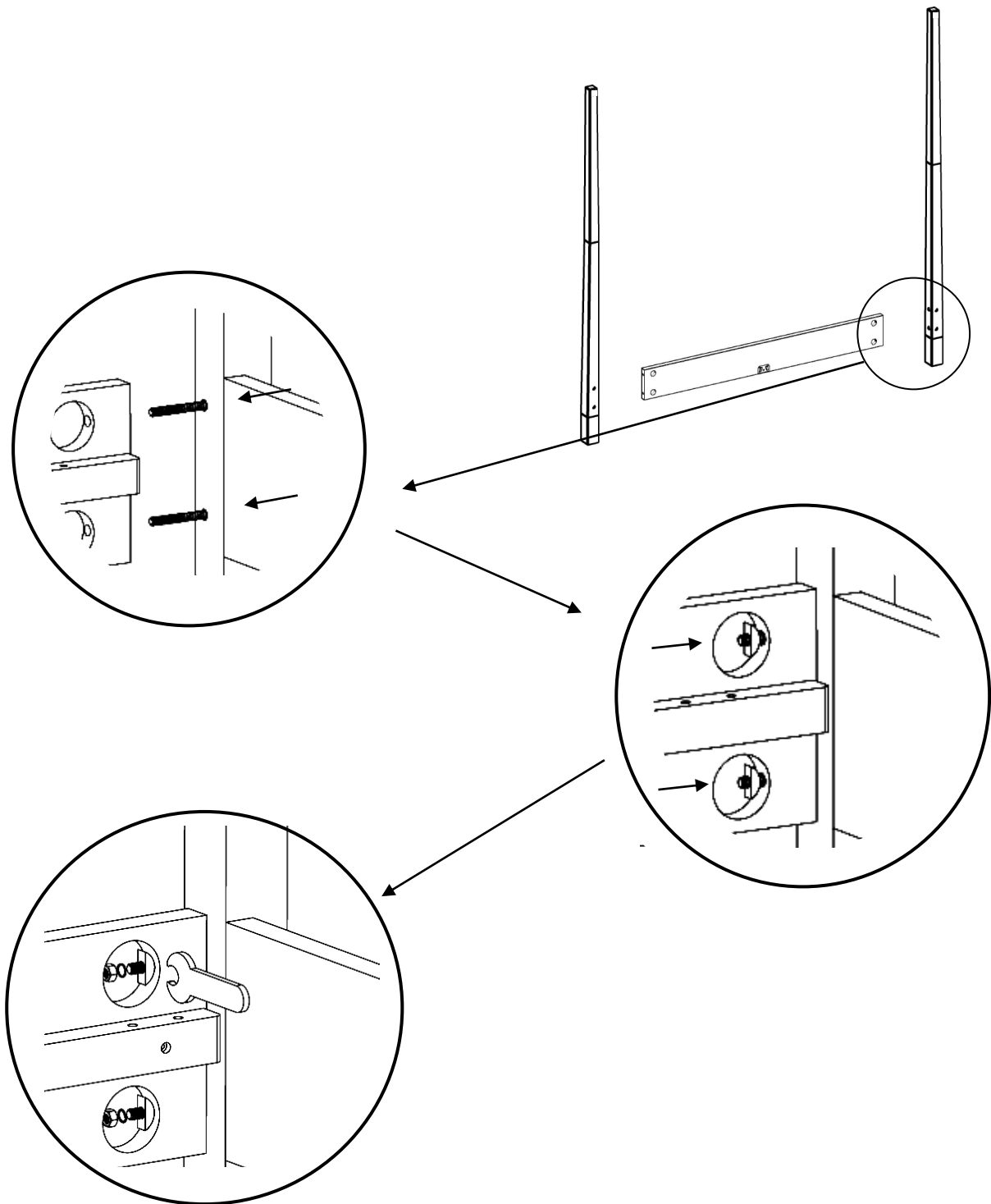
Step one

- Screw the Bolt (B) into the holes provided in the footboard (2) using a screw driver.



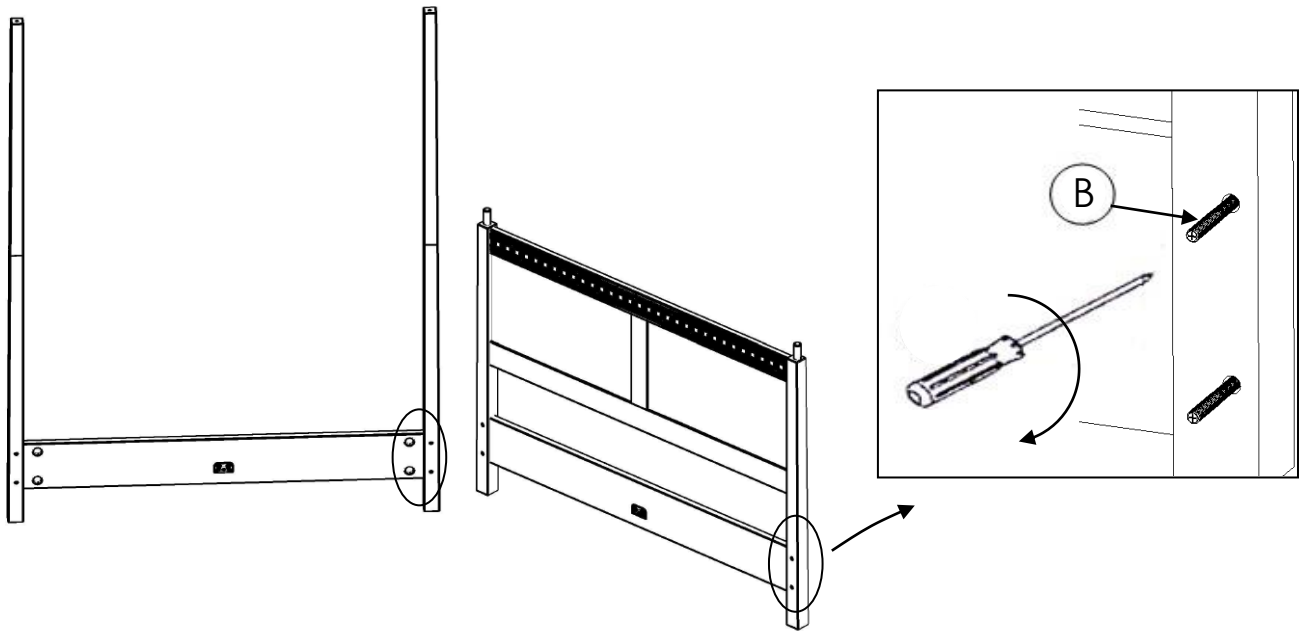
Step two

- Put the washer (A) and spring washer (E) through the bolt (B). Put the nut (C) on the bolt (B) and tighten the nut with the wrench key (D).



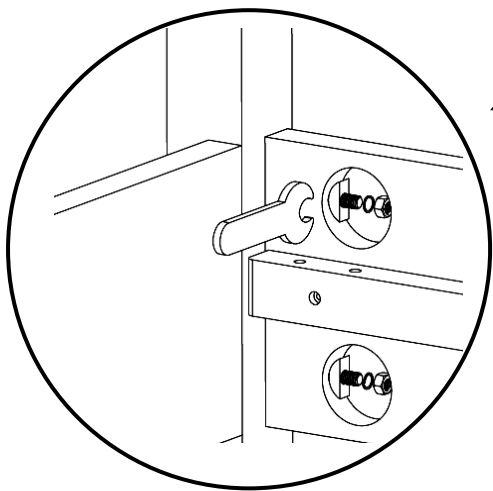
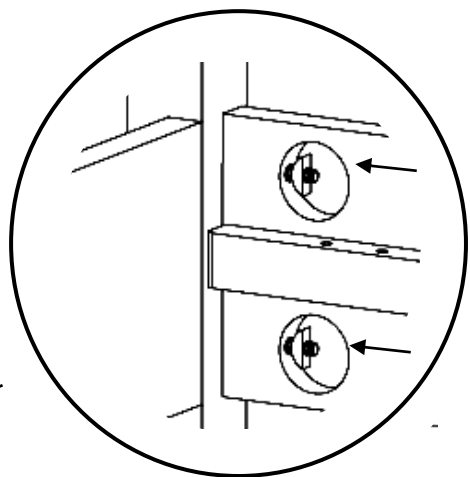
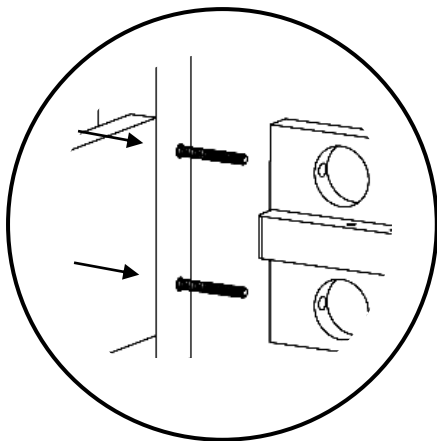
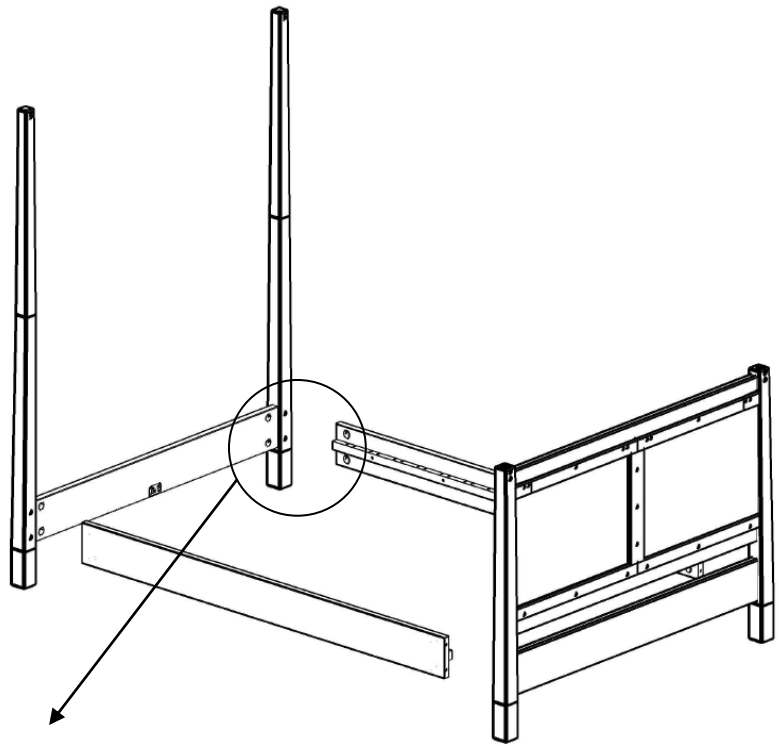
Step three

- Screw the Bolt (B) into the holes provided in the headboard (1) and footboard (2) using a screw driver.



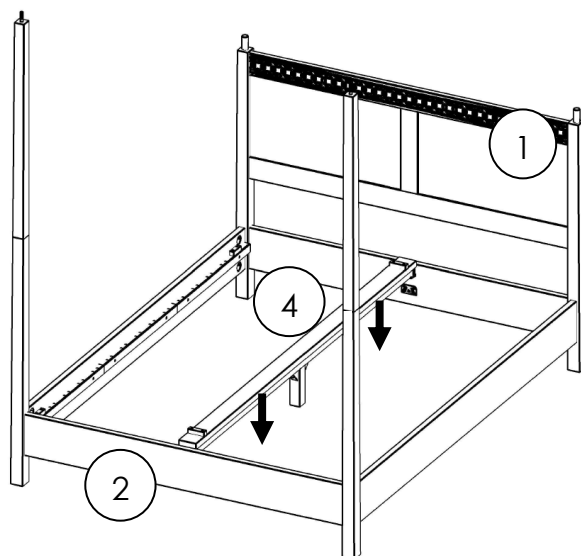
Step four

- While one person holds the headboard (1) upright, the other person slides the side rail (3) over the bolts. Put the washer (A) and spring washer (E) through the bolt (B). Put the nut (C) on the bolt (B) and tighten the nut with the wrench key (D).
- Both people hold the foot end (2) and LIFTING TOGETHER slot the side rails (3) over the bolts and repeat as above.



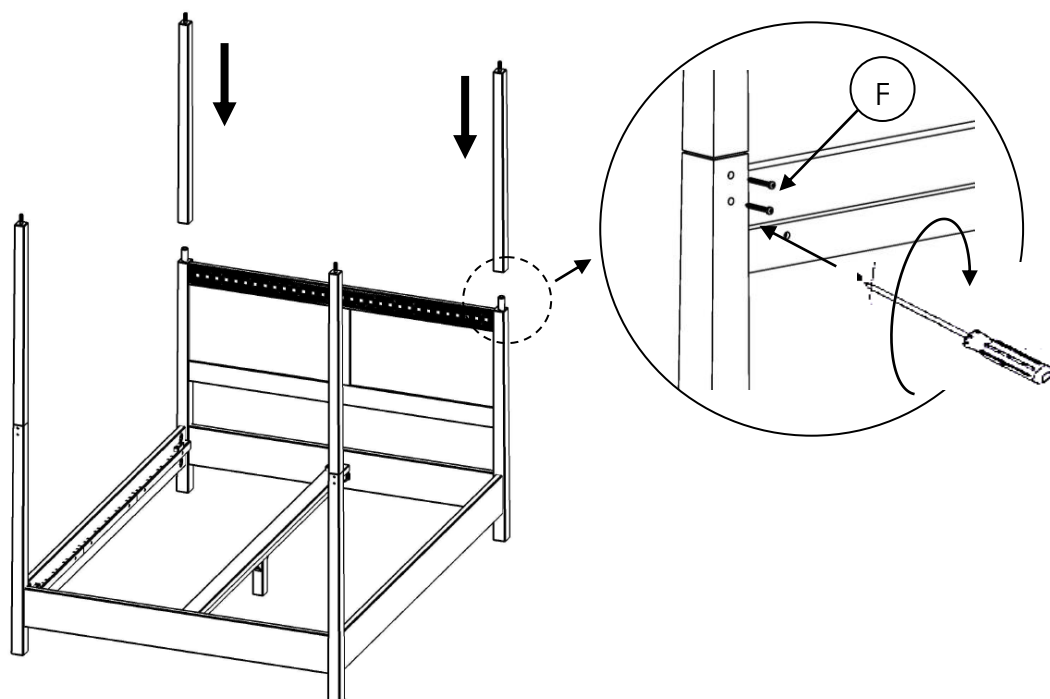
Step five

Push the centre support rail (4) down into place as arrow shown to engage with clips on headboard (1) and footboard (2)



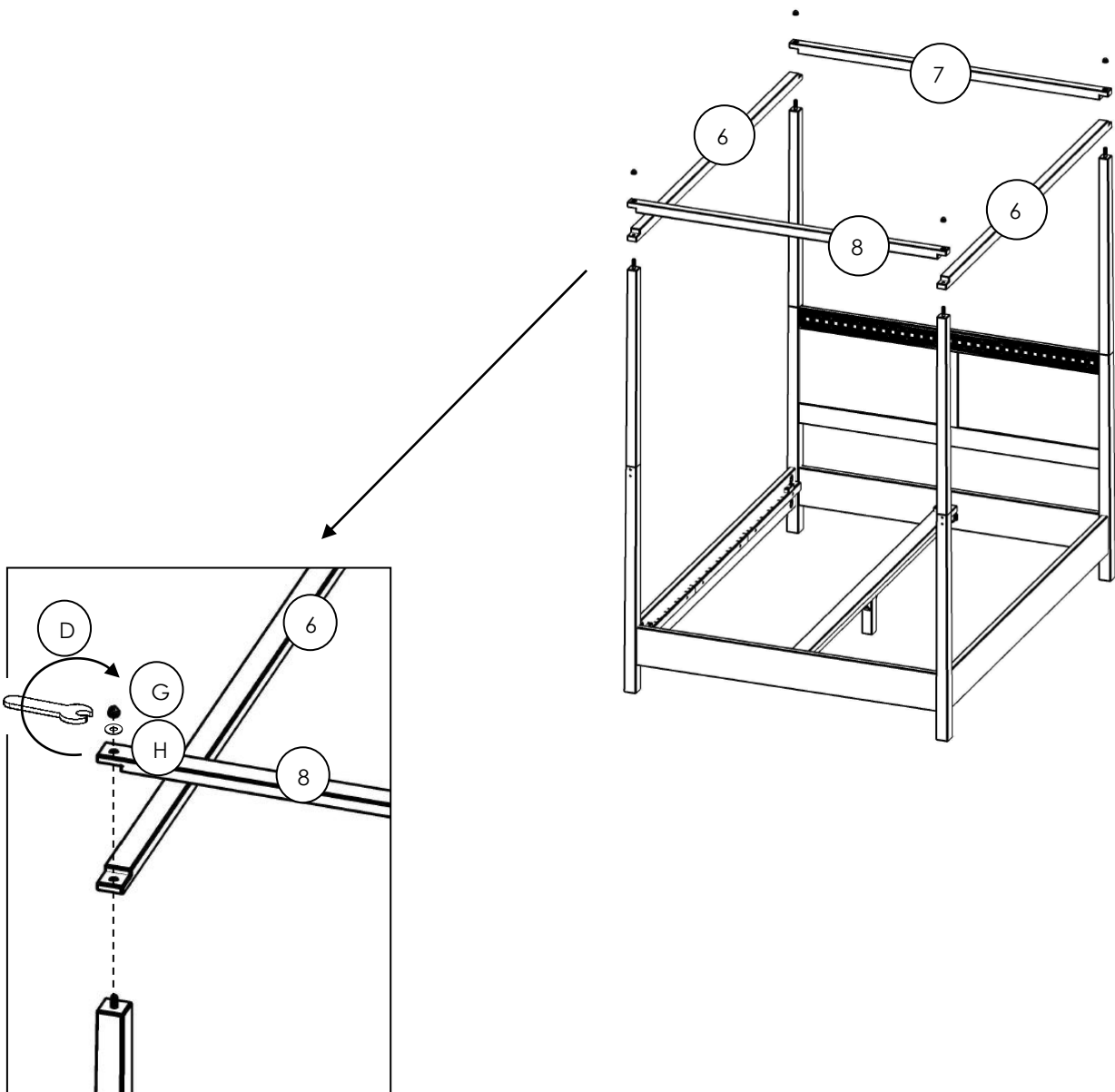
Step six

- Put the top leg (9) into the holes provided in the headboard.
- Screw the joint of the upper post to the leg of the headboard with screw (F) from the back side of the headboard.



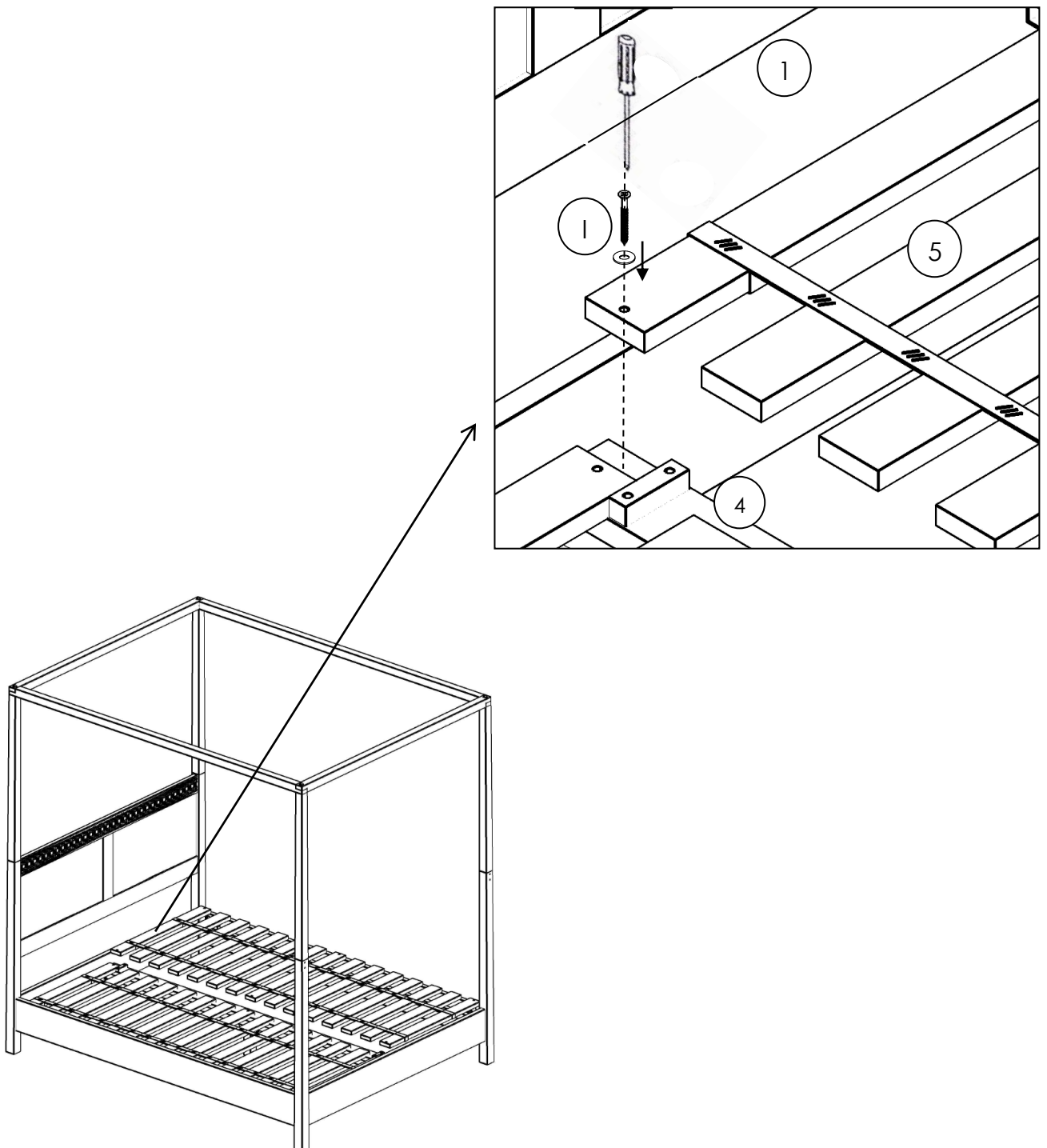
Step seven

- Put the canopy of the side rail (6) into the holes provided in the headboard upper post (9) and footboard. Tighten using screw driver.
- Put the canopy of the headboard (7) and footboard (8) into the holes provided upon the canopy side rail (6). Put domed nut (G) and flat washer (H) on the bolt and tighten with wrench key (D).

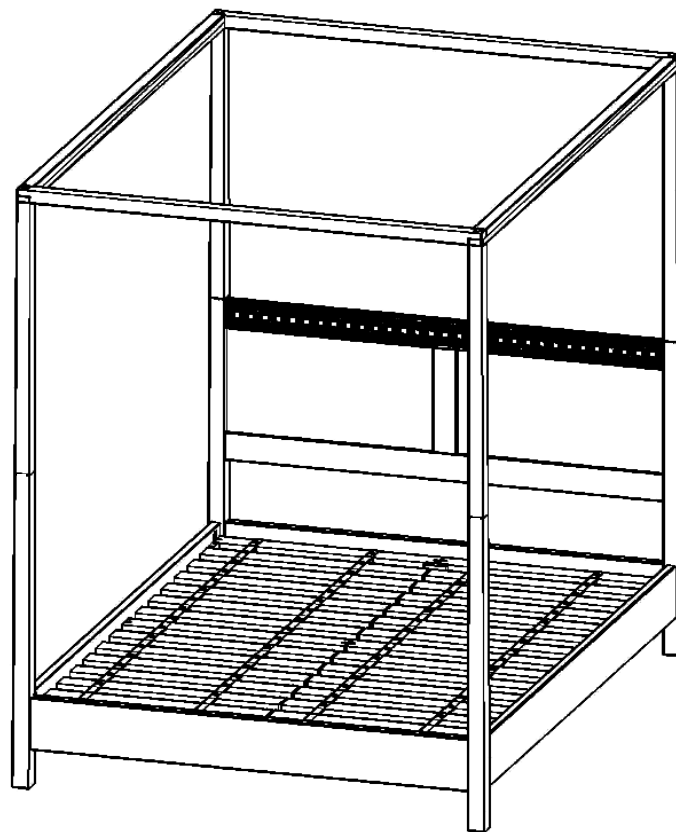


Step eight

Align the pre-drilled holes on the slats (5) into the pre-drilled holes on the center support rail (4) and siderail (3). Secure with screw (A) and flat washer (B). Tighten using screw driver.



FINISH



Safety Instructions :

Never drag furniture when moving it, always lift it.

Periodically check all fixings to ensure none have come loose and re-tighten where necessary.

Please take care when handling or moving the furniture as careless handling may cause damage or injury.

Furniture can be dangerous if incorrectly installed. Assembly should be carried out by a competent person. No liability will be accepted for damage or injury caused by incorrectly installed or assembled furniture.

It is recommended that before moving heavy objects to a new location they are completely dis-assembled to avoid personal injury or damage to the furniture. Please be careful to retain all fittings when doing this.

PLEASE KEEP THESE INSTRUCTIONS FOR FUTURE REFERENCE