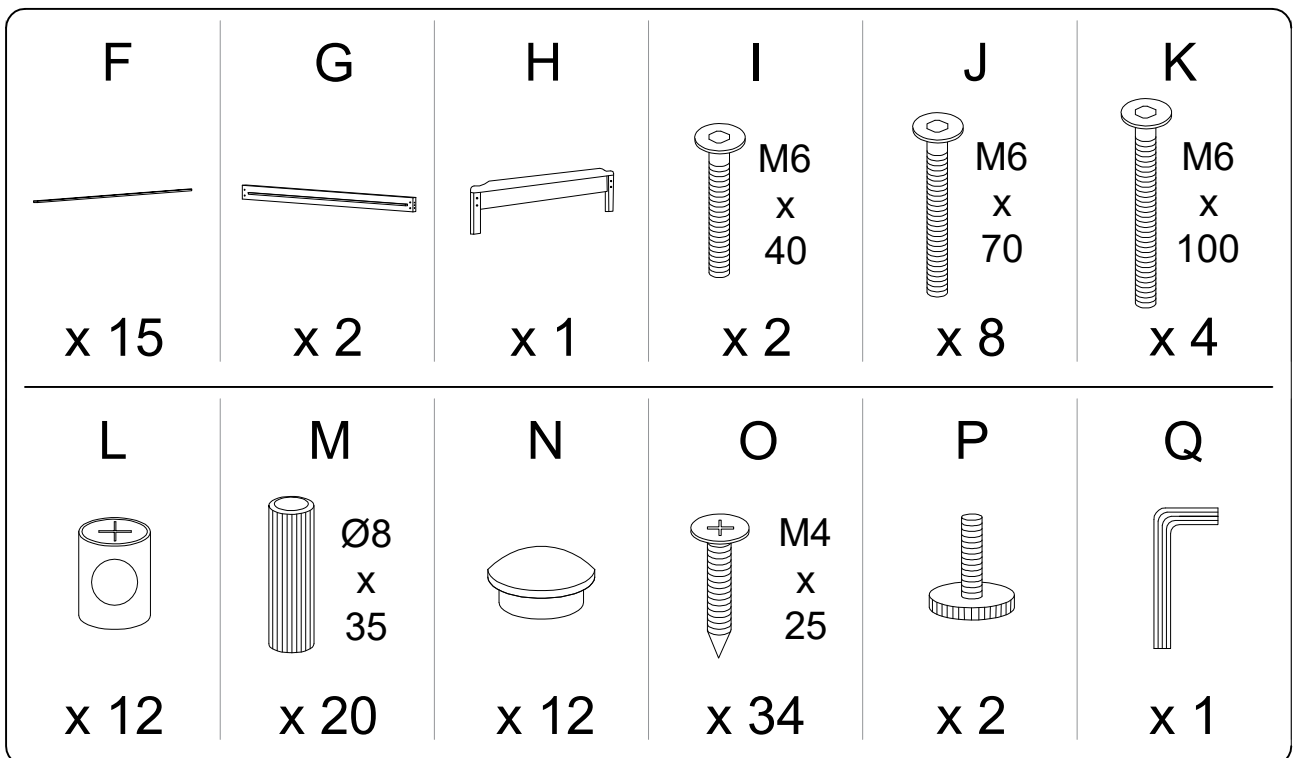
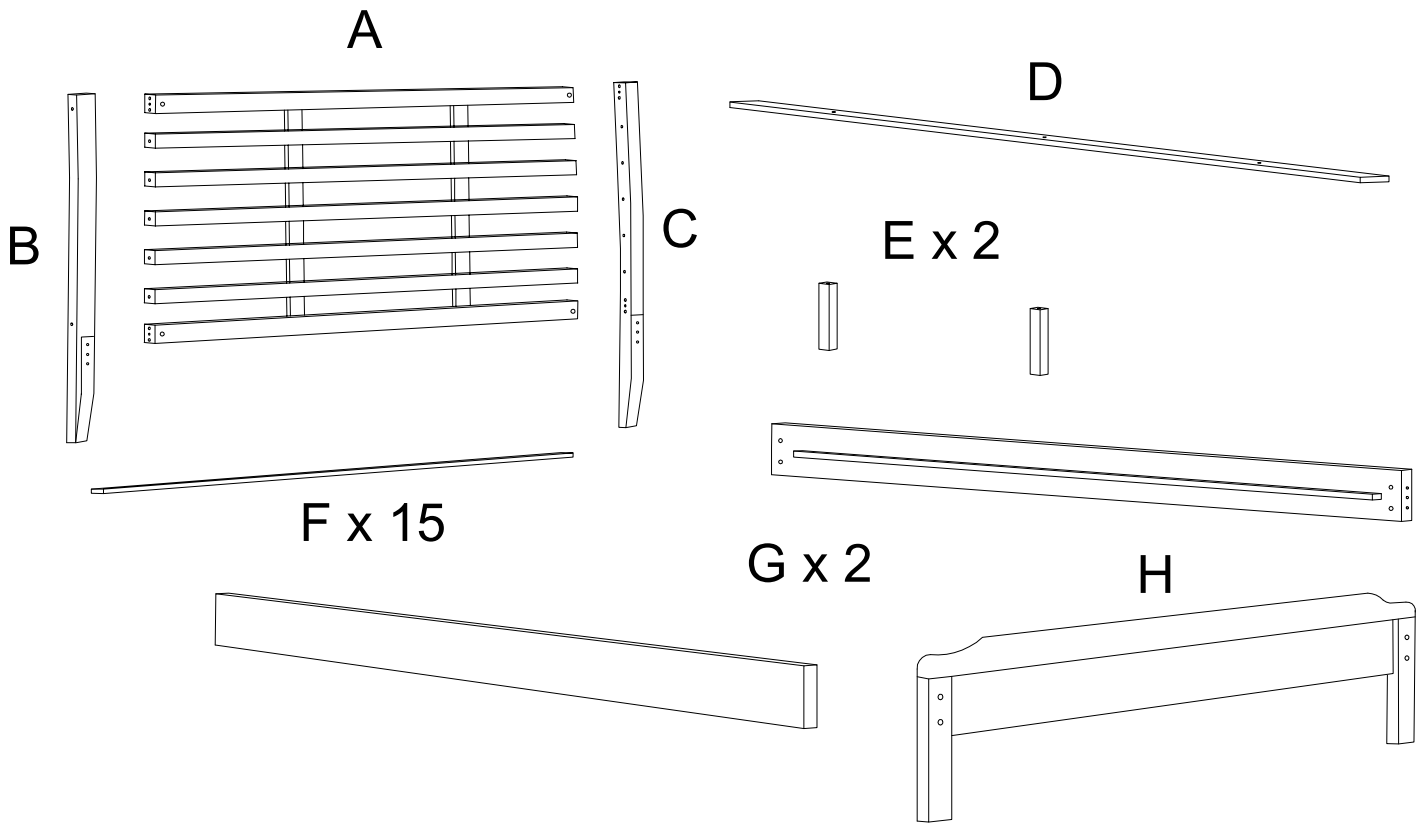
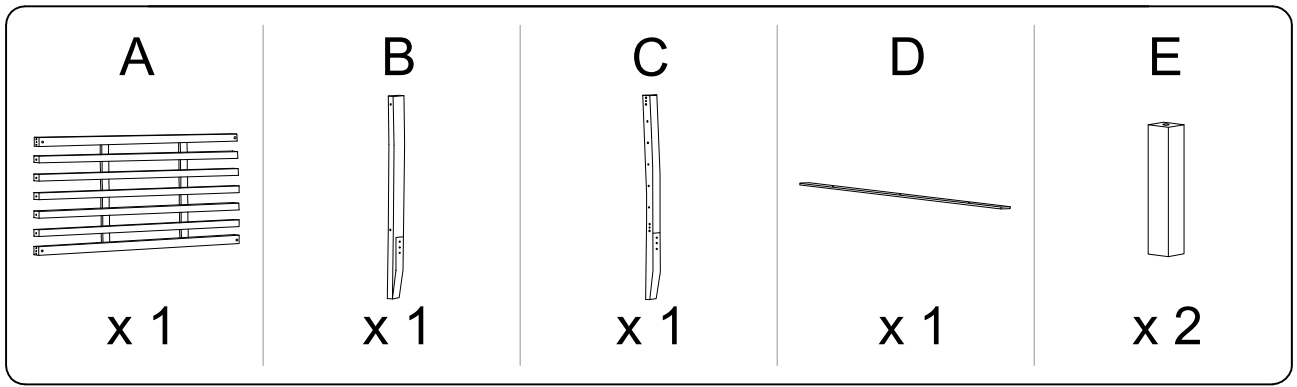
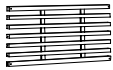


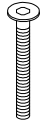
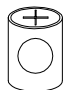


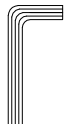


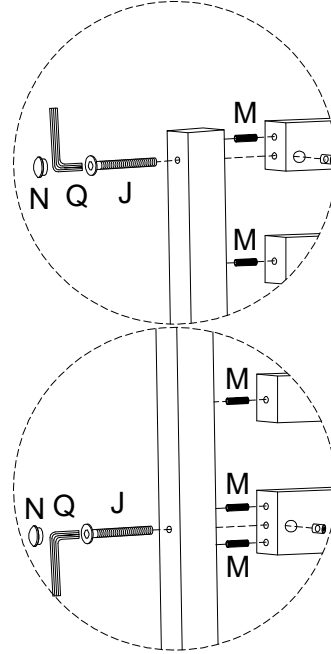
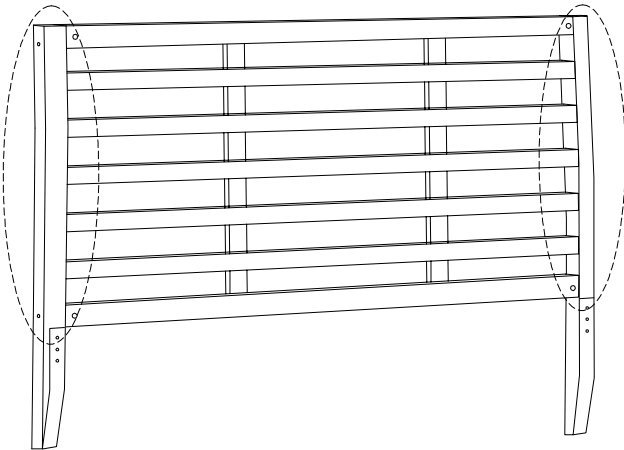
Assembly instructions for step 1/4:

- Tools:** A circle containing an Allen key and a screwdriver, with a crossed-out power drill icon next to it.
- Warning:** A triangle with an exclamation mark.
- Time:** A clock icon with the text "45'" below it.
- Personnel:** A person icon with the number "2" below it.
- Diagram:** A circle showing a mattress being placed on a slatted base, with a crossed-out icon of a mattress being placed on a solid surface below it.



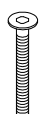
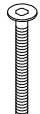
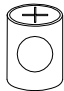


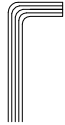


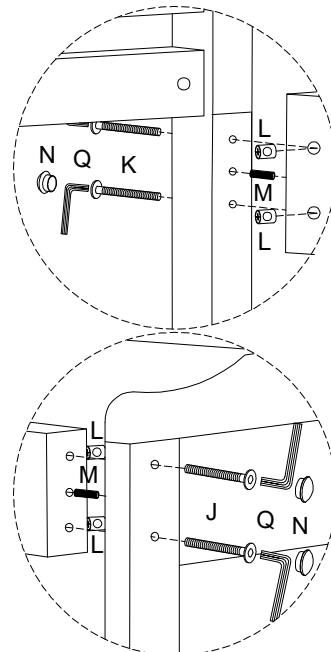
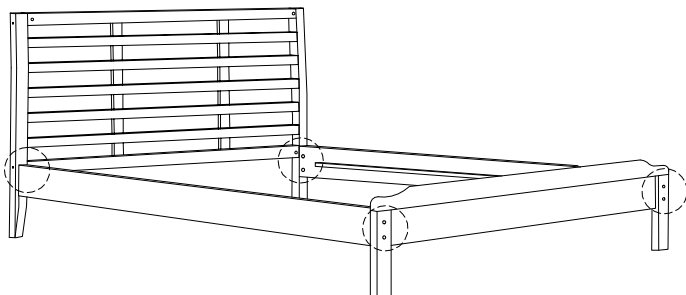
1

A 	B 	C 	J M6 x 70 	L 	M Ø8 x 35 	N 	Q 
x 1	x 1	x 1	x 4	x 4	x 16	x 4	x 1



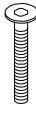

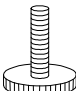
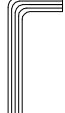


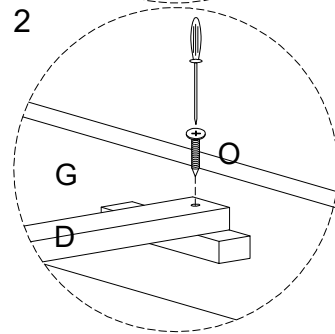
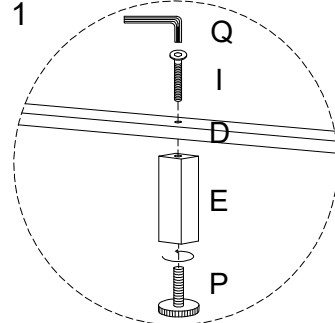
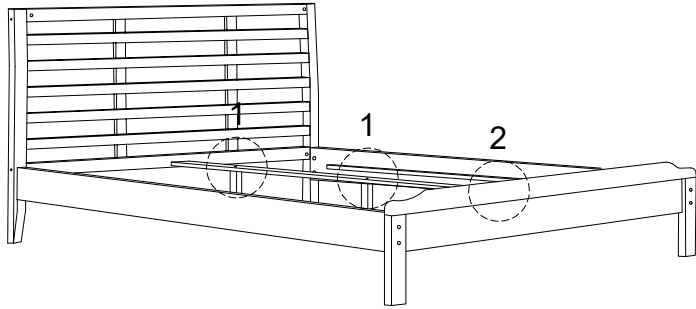
2

G 	H 	J M6 x 70 	K M6 x 100 	L 	M Ø8 x 35 	N 	Q 
x 2	x 1	x 4	x 4	x 8	x 4	x 8	x 1



3

D  x 1	E  x 2	I  M6 x 40 x 2	O  M4 x 25 x 1	P  x 2	Q  x 1
--	--	--	--	--	--



4

F  x 15	O  M4 x 25 x 33
---	---

