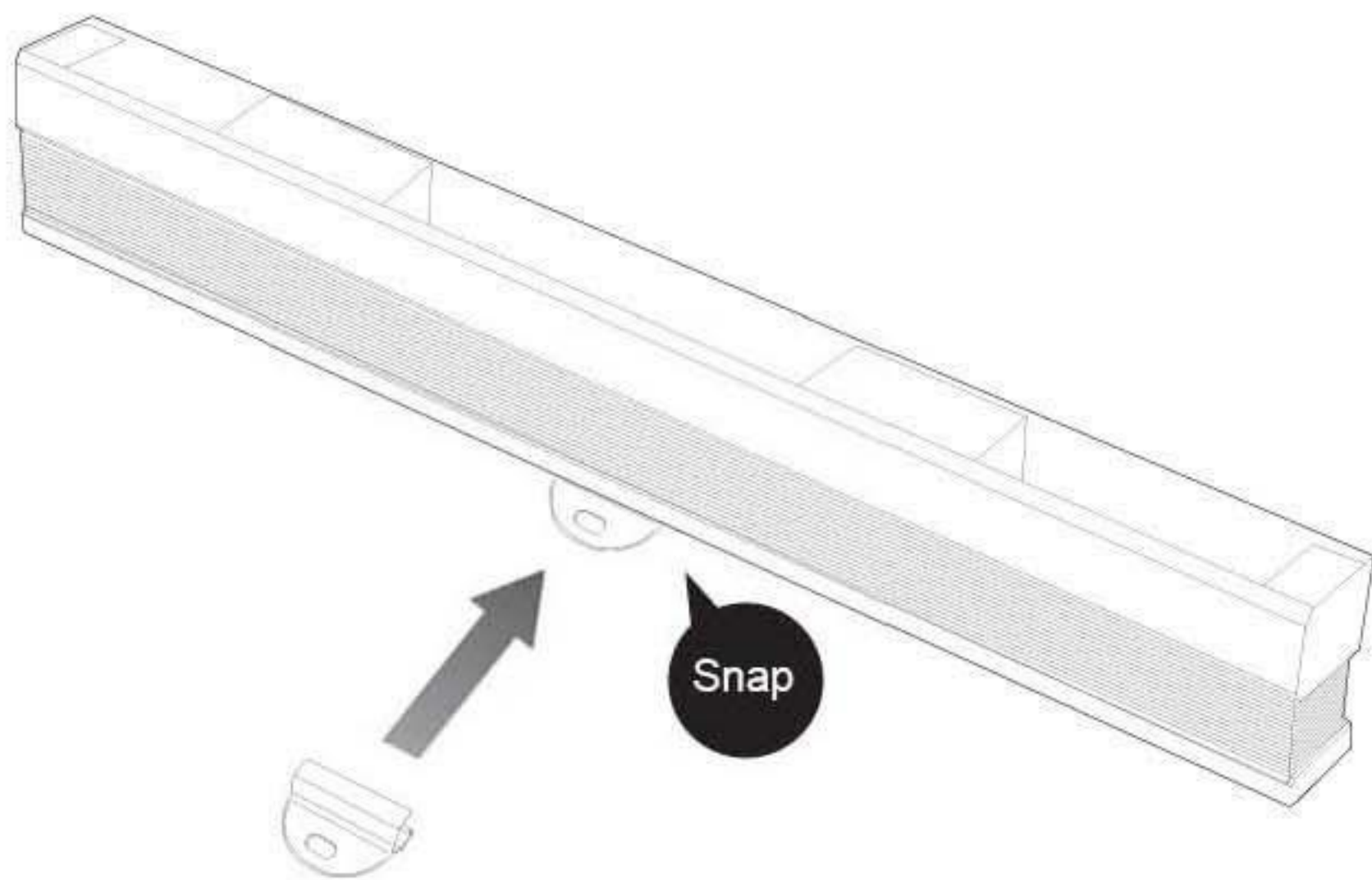
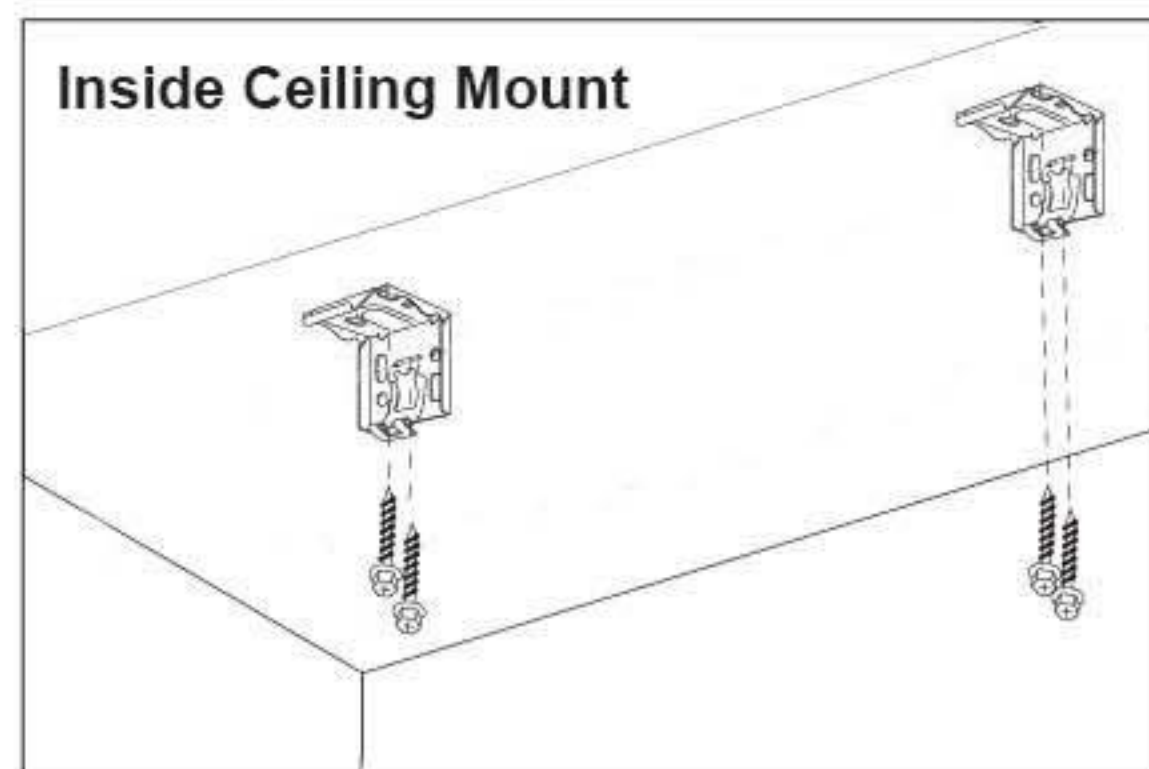
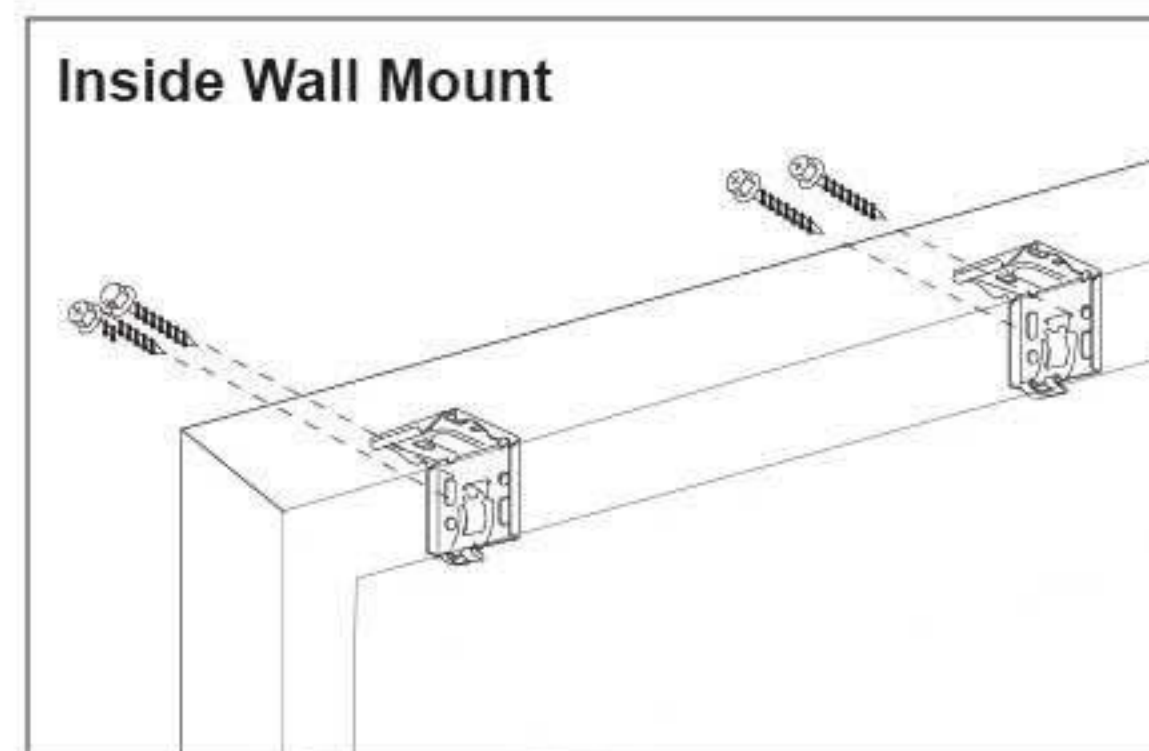


3 STEP INSTALLATION

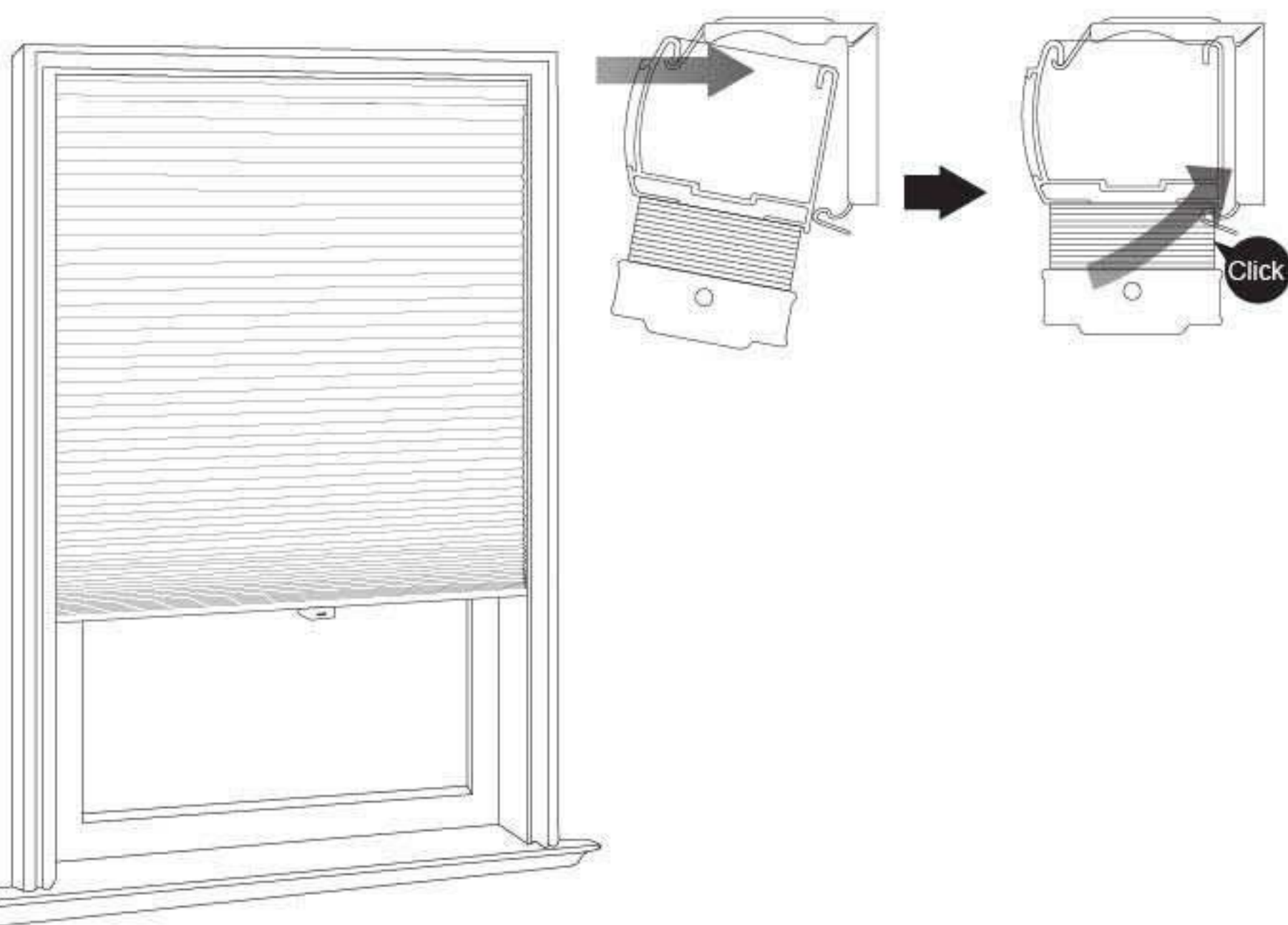
- 1** Attach the **handle A** to the bottom of the shade's rail.



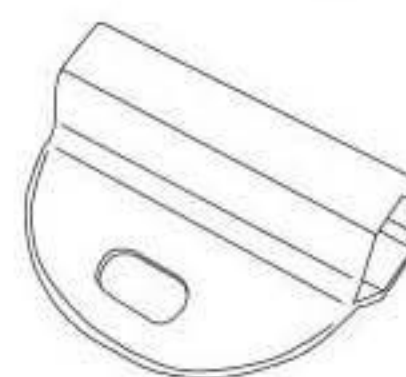
- 2** Install **brackets B** using the provided screws:



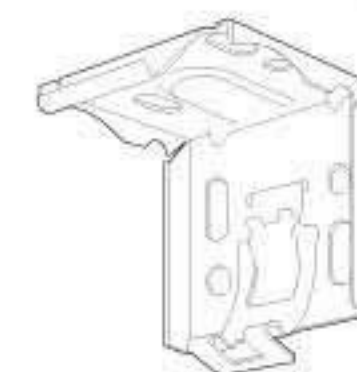
- 3** Clip on the **brackets B** to the **headrail C**
Wait for the "Click" sound to know it's complete



handle **A**



brackets **B**



headrail **C**

