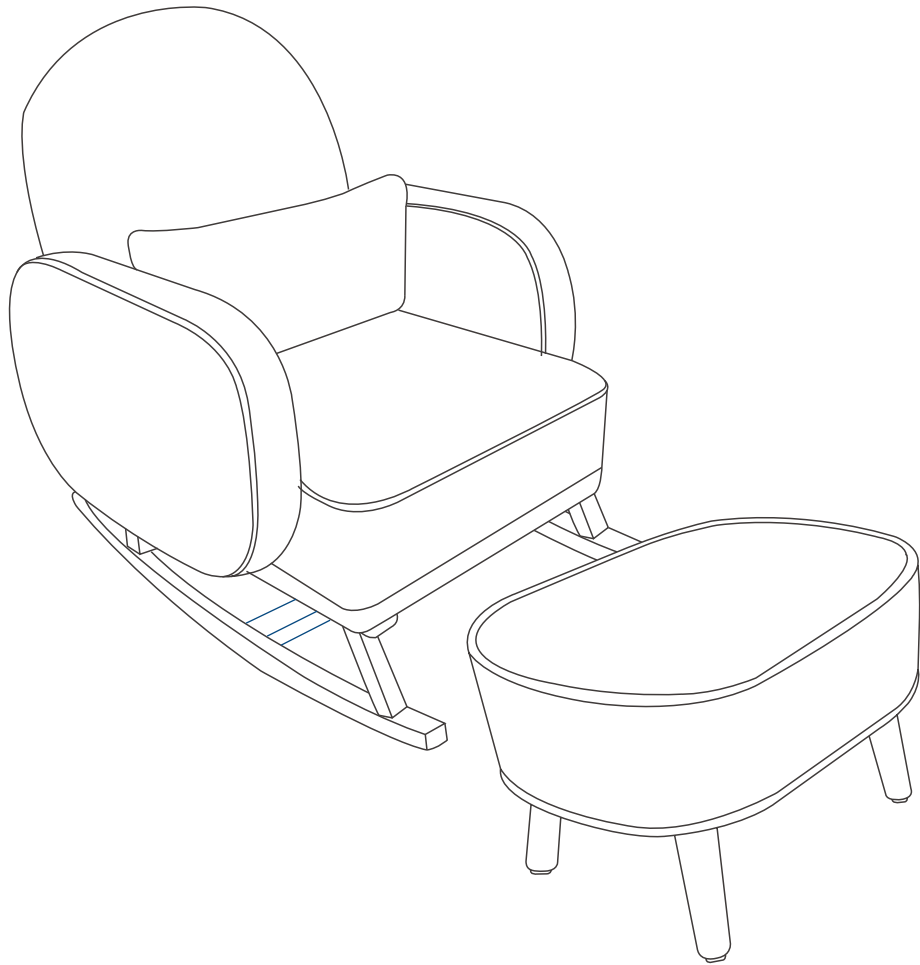


Owner Manual



Assembly requires at least 2 people



Extra tools you may need

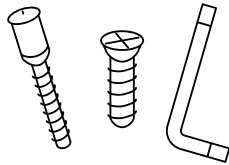
USE OF POWER TOOLS TO ASSEMBLE THIS PRODUCT INVALIDATES ANY CLAIM. AS IT MAY DAMAGE THE PRODUCT MAKING IT UNSAFE TO USE.



THANK YOU FOR YOUR PURCHASE!

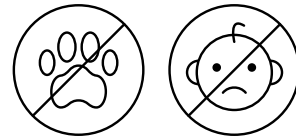
We hope you enjoy this product as much as we enjoyed making it!

We suggest you spend **5 minutes** in reading these tips before assembling the unit. Strictly follow the instructions step by step.



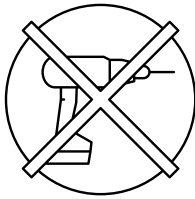
Tool Check

Check contents to ensure that you have the specified quantity for all identified parts and metal fittings.



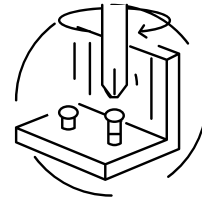
Safety Check

Keep children and pets away from working area as unit has small parts that are choking hazards if swallowed.



Do Not Use Power Tool

Do not use any power tool for assembly as it may damage the unit and make it unsafe to use. Use of any power tool will invalidate any claim you may have.



Easier Assembly Tip

We strongly advise that all fittings be finger-tightened during the initial assembly phase. You may fully tighten them all once assembly is complete.

HARDWARE LIST

Please check if you have all the fittings and tools listed below.

(A)



M6x20mm BOLT
16 PCS

(B)



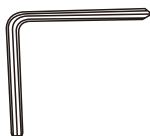
M6*50mm BOLT
4 PCS

(C)



FLAT WASHER(LARGE)
4 PCS

(D)

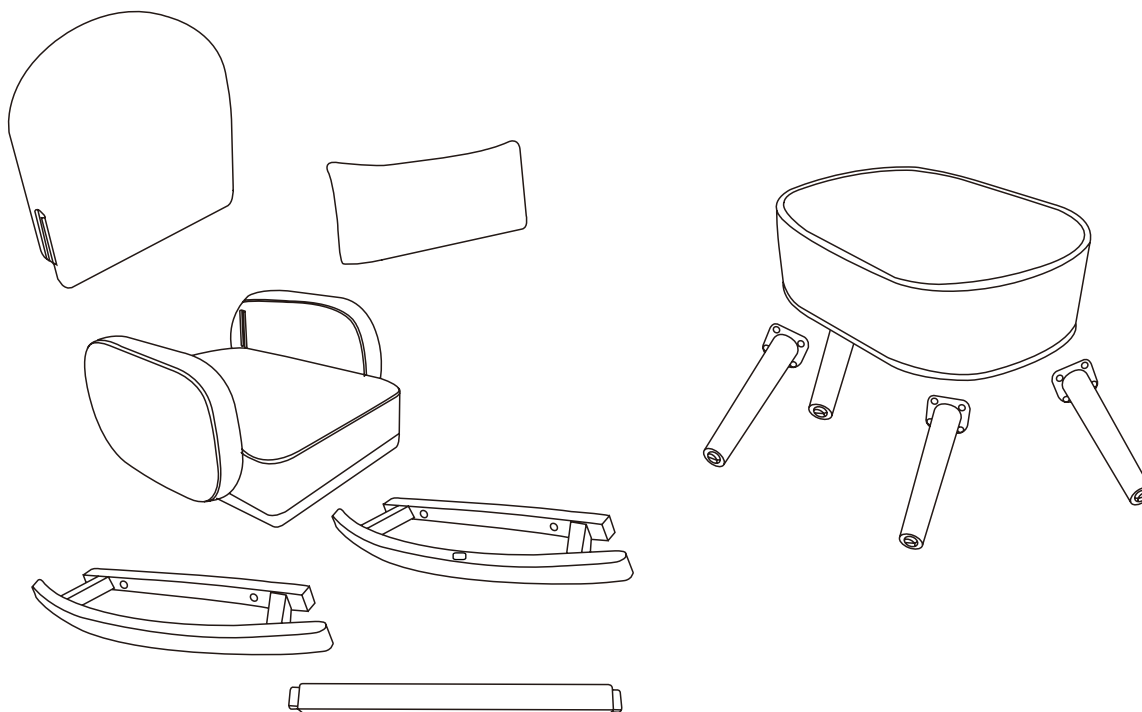


ELLEN KEY
1 PCS

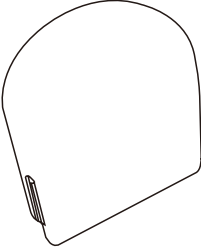
(E)



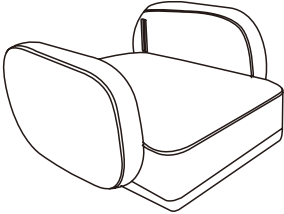
M4x30mm SCREW2
PCS



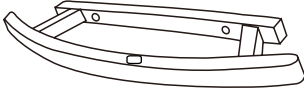
PARTS LIST



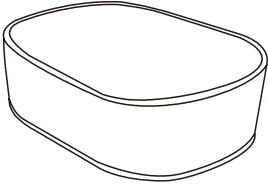
1 x1



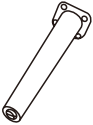
2 x1



3 x2



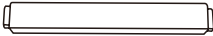
4 x1



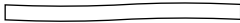
5 x4



6 x1

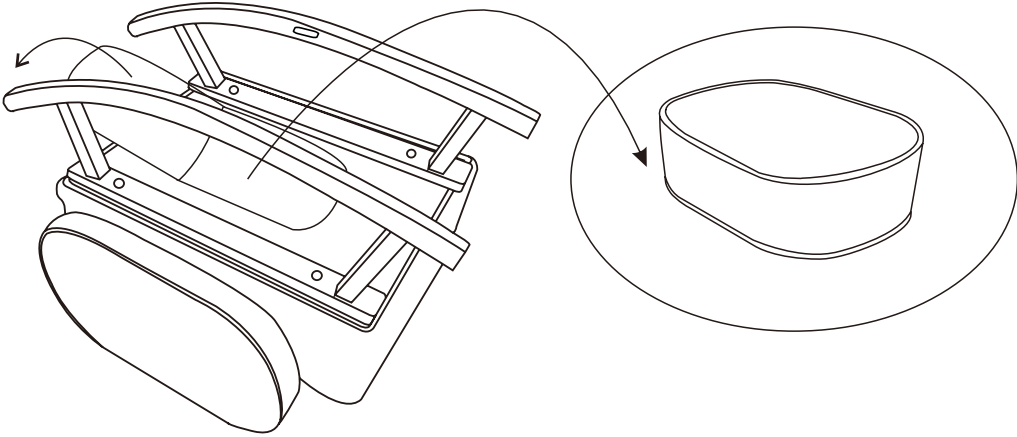


7 x4

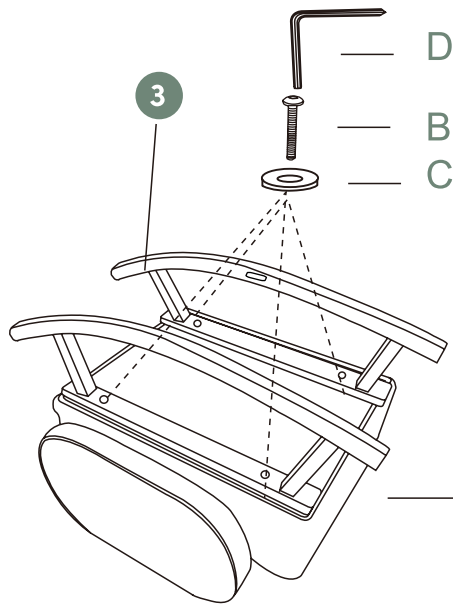





8 x1

STEP 1

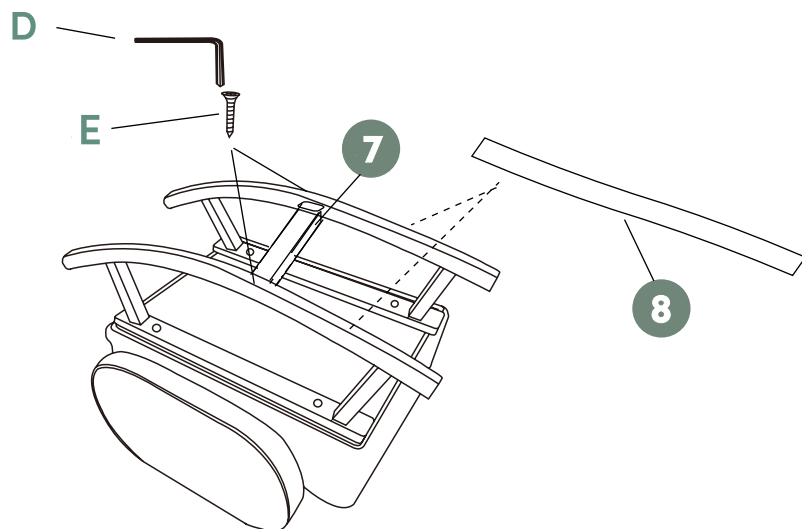



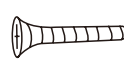
STEP 2



YOU WILL NEED	
B	 x4
C	 x4
D	 x1

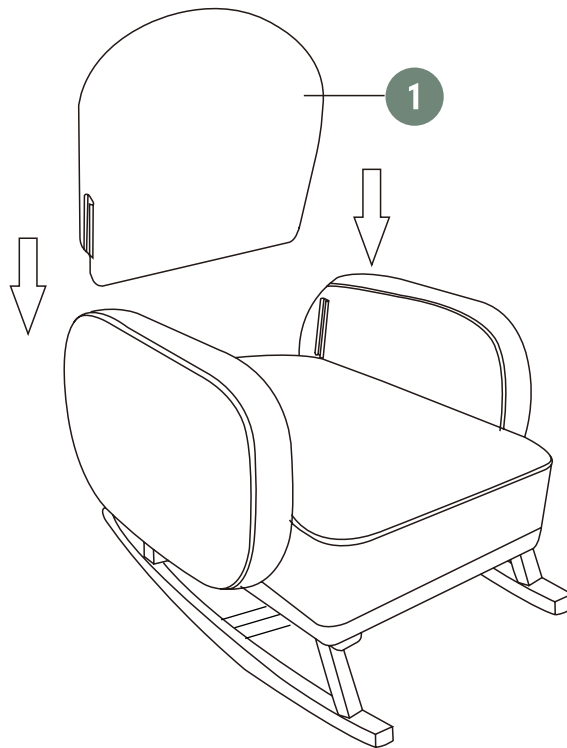
STEP 3



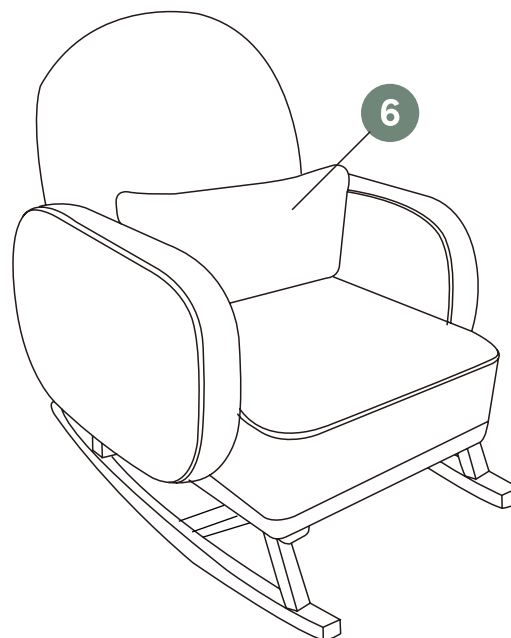
YOU WILL NEED	
D	 x1
E	 x2

ASSEMBLY STEPS

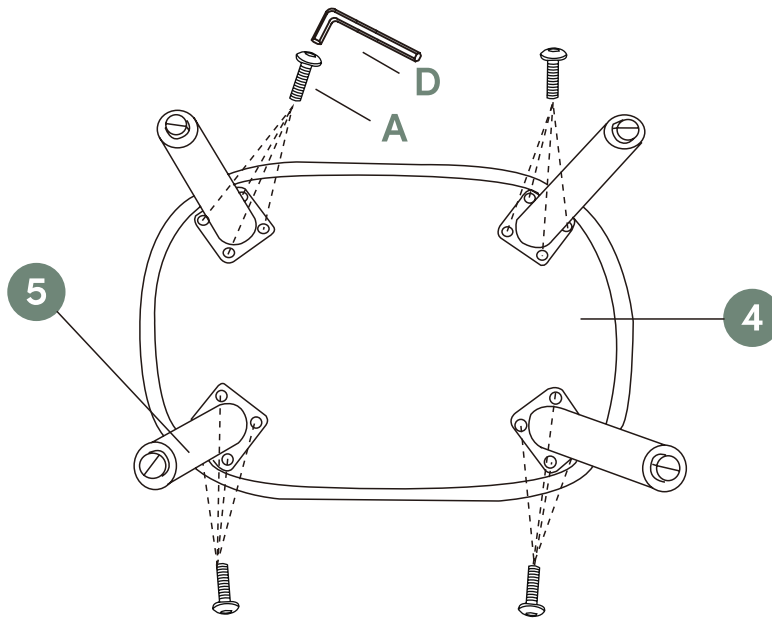
STEP 4





STEP 5

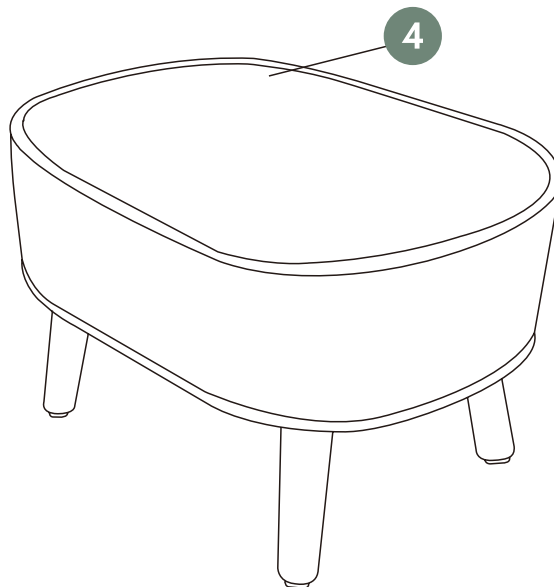


STEP 6



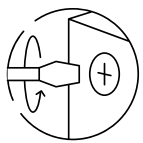
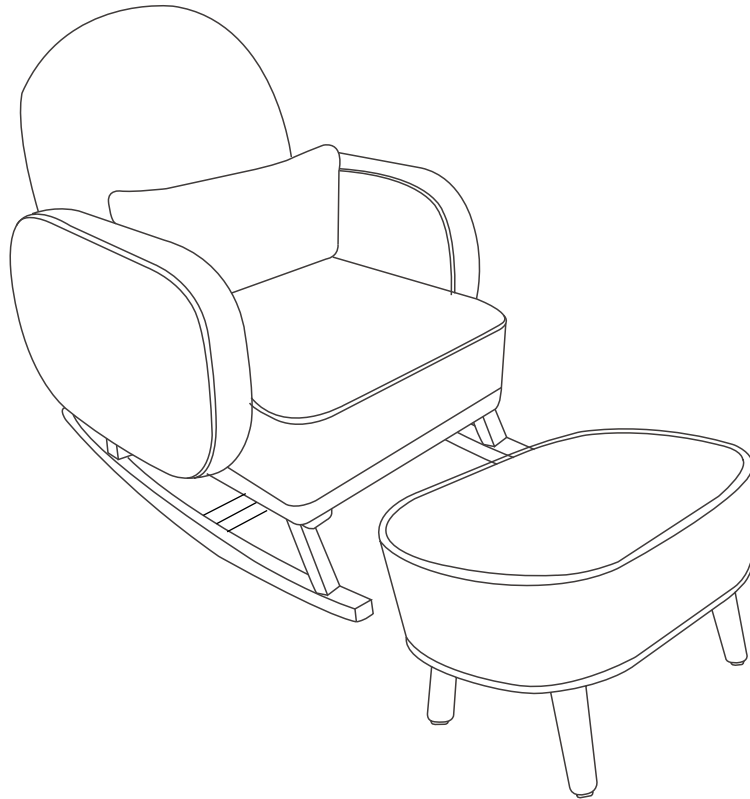
YOU WILL NEED		
A		x16
D		x1

STEP 7



GREAT JOB. YOU'RE DONE!

To move the assembled unit, please lift it up and do not drag to avoid damaging the middle part.



When you assemble this chair, please make sure all screws are fastened tightly. After one or two months, please recheck and make sure all screws are still tight.



Before using this chair, please check if the angle of legs are always in an upright position.



As for chair, our chair can hold weight 300kg.

CARE INSTRUCTION

Follow these basic steps to protect your furniture.

Clean Gently

Use a mild wood cleaner or a mixture of water and mild dish soap to clean spills. Wipe the surface gently with a damp cloth, then dry it thoroughly.

Temperature and Humidity

Avoid direct sunlight. Maintain a consistent room temperature and humidity level to prevent wood from warping or cracking.

Use Furniture Pads

Place furniture pads or felt protectors under furniture legs to prevent scratches on floors.

Avoid Excessive Weight

Don't overload shelves or surfaces beyond their weight capacity.

***Again, we thank you for your purchase.
You've made our day, and we hope you have a great one too!
Enjoy your product!***