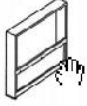






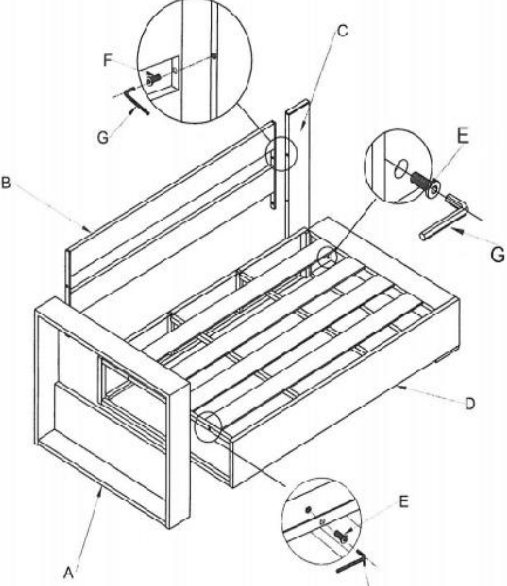
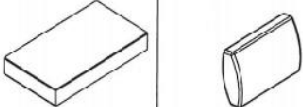
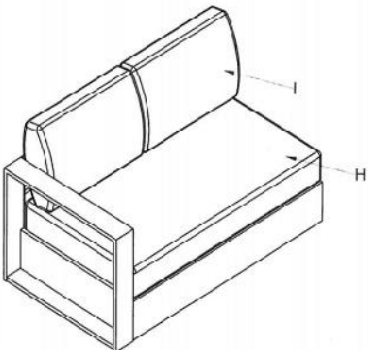


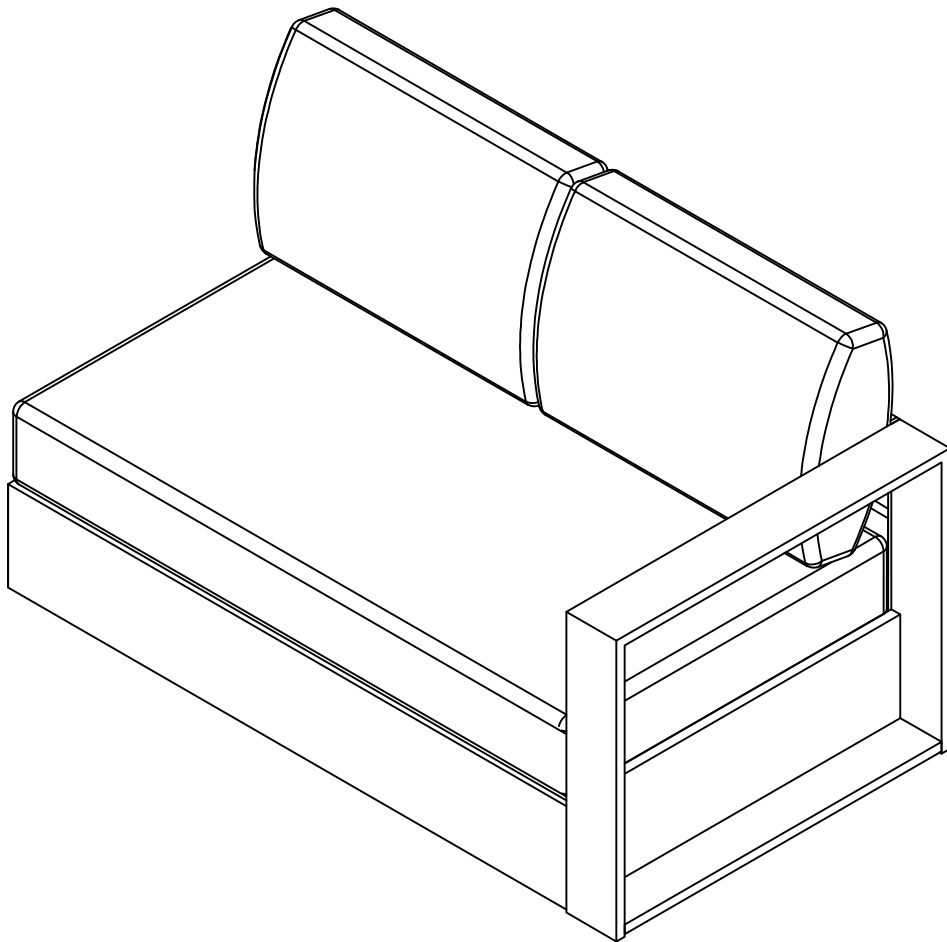
EEI-6629

 <p>A:1PC</p>	 <p>B:1PC</p>	 <p>C:1PC</p>	 <p>D:1PC</p>	 <p>E:M6*35*8PCS</p>	 <p>F: M6*20*4PCS</p>	 <p>G: 1MM*1PC</p>
 <p>1</p>				 <p>H:1PC I:2PCS</p>		
 <p>2</p>				<p>Please assemble all compcnents firstly, then tightly fix all screws.</p>		

ASSEMBLY INSTRUCTIONS

EEI-6630

V1.07.31.23



Questions? Contact us!

609.256.9000 • cs@modway.com
www.modway.com

*modway

Let's get started!

*modway



Read through all of the instructions before starting



Care instructions are listed in the last step of this manual



Approx. 30 minutes assembly time



Make sure you have all parts and components before discarding any packing materials



2 people recommended for assembly

Only use hand tools to assemble this item. Do not use power tools. Do not tighten bolts or screws completely until all hardware is lined up and inserted into the holes.

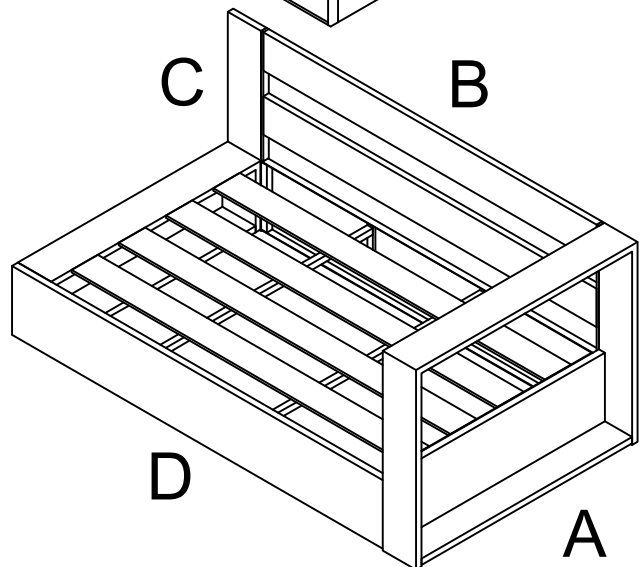
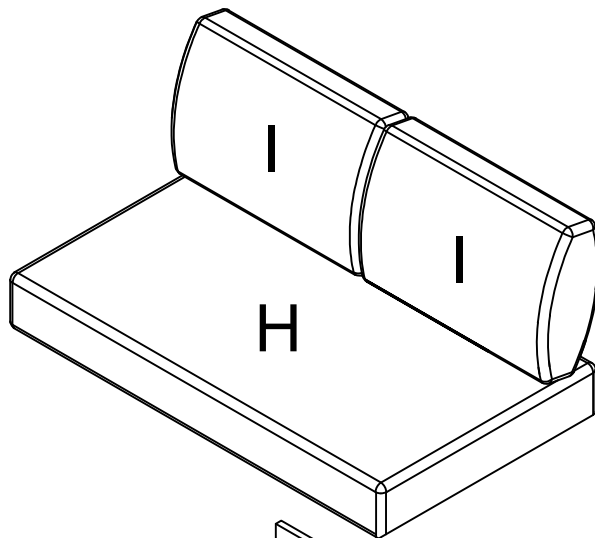
Do not over-tighten screws and bolts to avoid stripping the hardware or cracking the item.

Assemble your item on a flat, carpeted area, with plenty of space to work. This will prevent damage and scratches to your floors or the item while you're assembling the product.

Keep all components and packaging out of reach of children or animals to avoid risk of choking or suffocation.

Furniture components:

A	Right Arm	x1
B	Sofa Back	x1
C	Back Frame	x1
D	Sofa Seat	x1
H	Seat Cushion	x1
I	Back Cushion	x2



Provided hardware:

E		Bolt M6 x 35mm	x8
F		Bolt M6 x 20mm	x4
G		Allen Wrench	x1
W		Clip 250*40*20	x2
Y		Clip 151*40*20	x2

Wait!

Missing parts or hardware? Need assistance?
Contact us before returning your item. We're here to help!
609.256.9000 • cs@modway.com

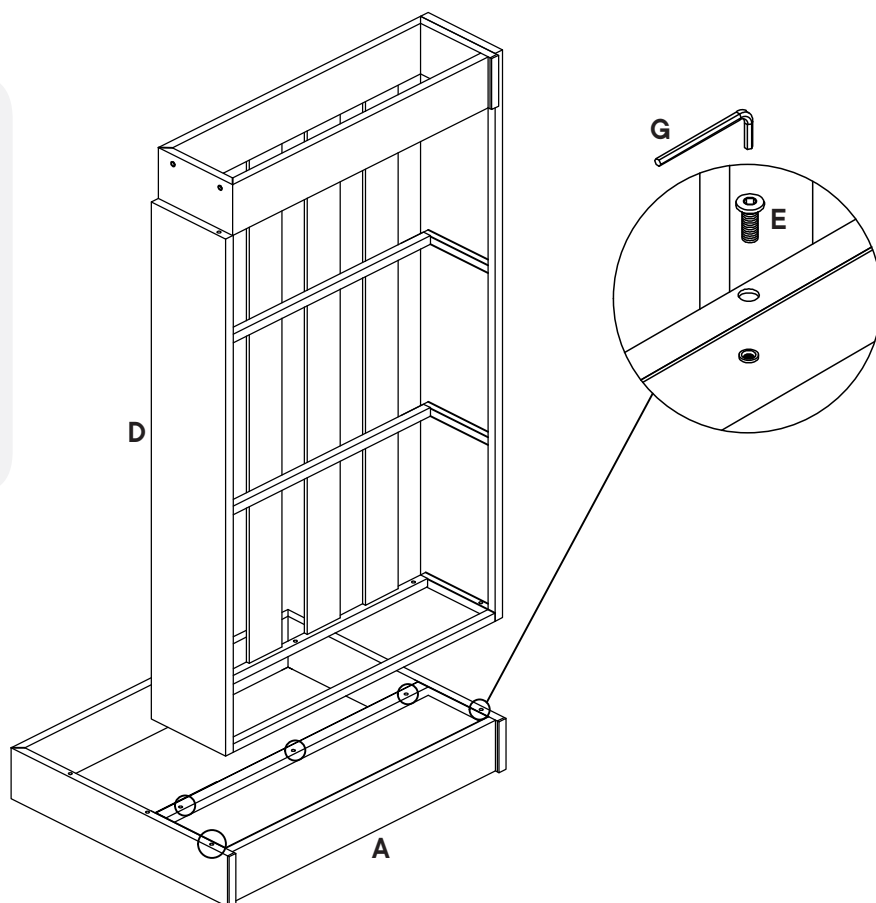
Step 1

COMPONENTS

- A** Right Arm x1
- D** Sofa Seat x1

HARDWARE

- E** Bolt M6 x 35mm x5
- G** Allen Wrench x1



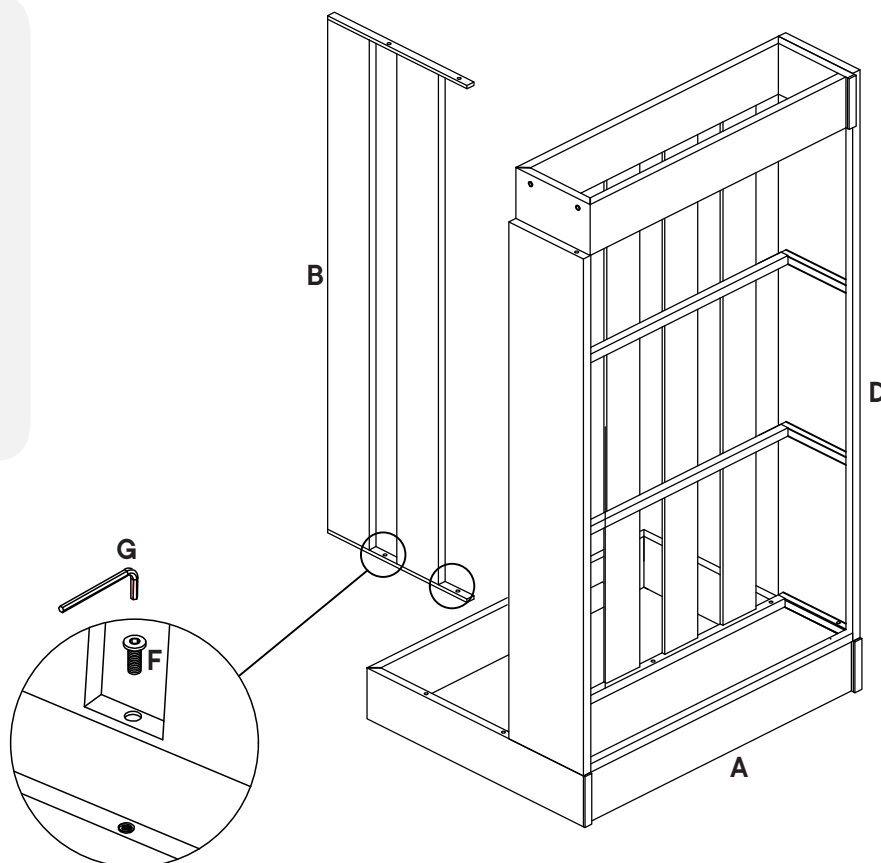
Step 2

COMPONENTS

- A** Right Arm x1
- B** Sofa Back x1
- D** Sofa Seat x1

HARDWARE

- F** Bolt M6 x 20mm x2
- G** Allen Wrench x1



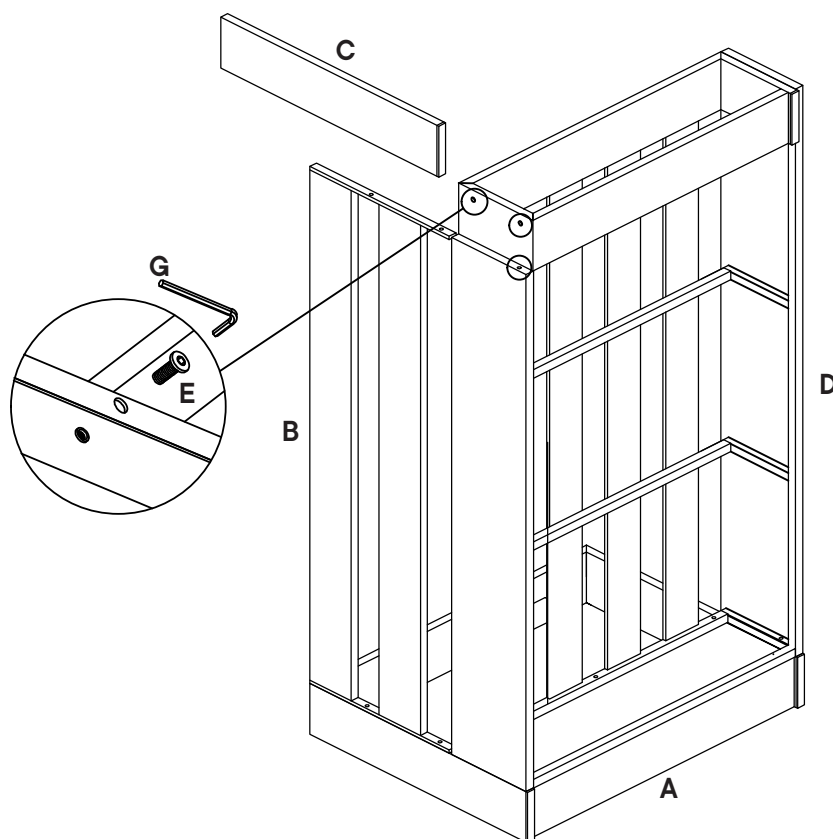
Step 3

COMPONENTS

A	Right Arm	x1
B	Sofa Back	x1
C	Back Frame	x1
D	Sofa Seat	x1

HARDWARE

E	Bolt M6 x 35mm	x3
G	Allen Wrench	x1



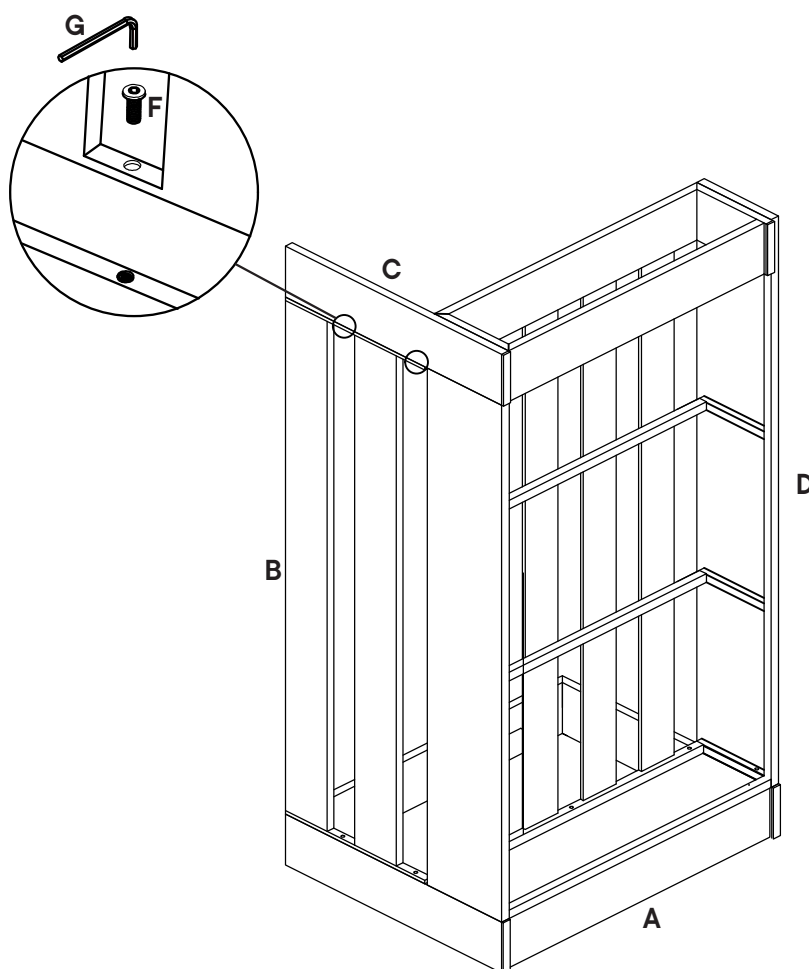
Step 4

COMPONENTS

A	Right Arm	x1
B	Sofa Back	x1
C	Back Frame	x1
D	Sofa Seat	x1

HARDWARE

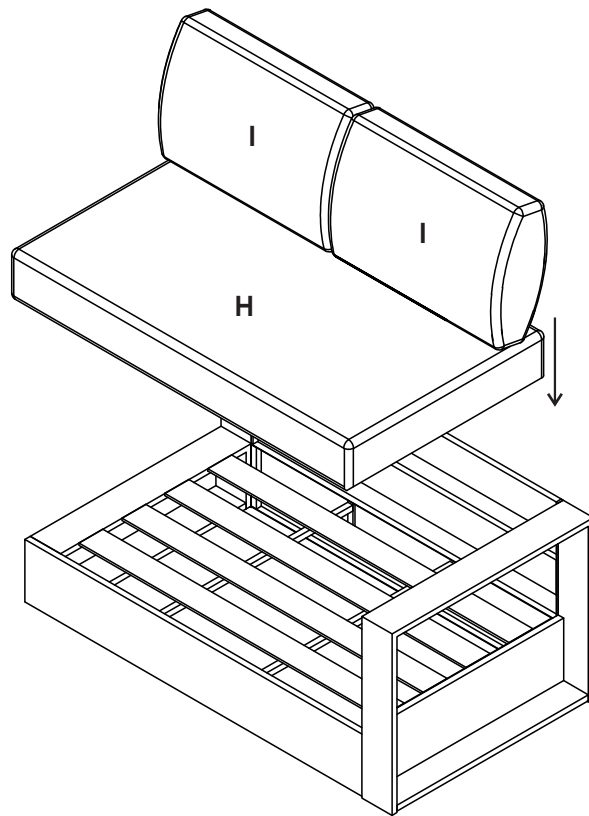
F	Bolt M6 x 20mm	x2
G	Allen Wrench	x1



Step 5

COMPONENTS

- | | | |
|----------|--------------|----|
| H | Seat Cushion | x1 |
| I | Back Cushion | x2 |



Great job!

Your right arm sofa is complete and ready to enjoy.

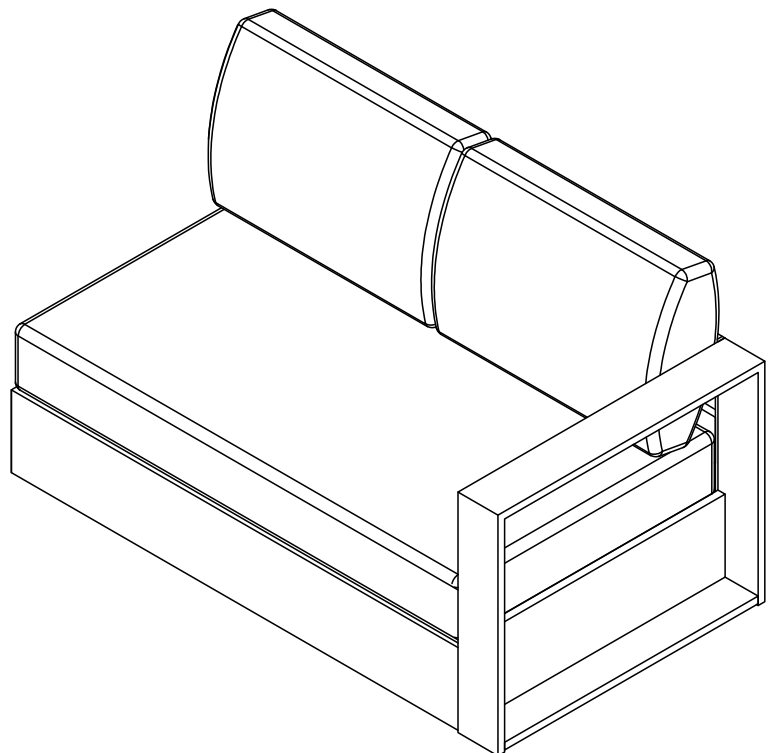
♥ CARING FOR YOUR ITEM

Indoor or outdoor use.

Not contract grade.

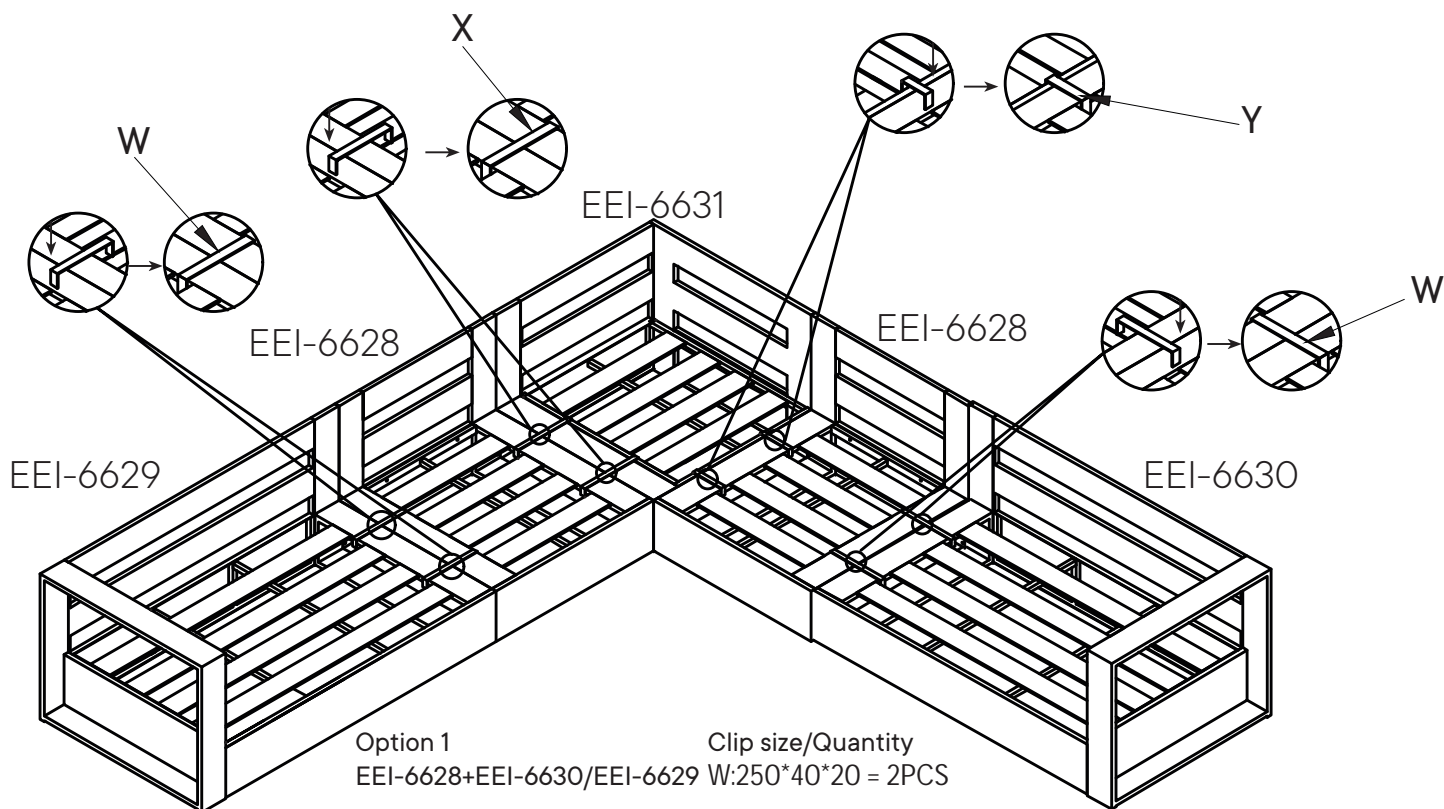
Clean using a non-abrasive cloth and a mild cleaner.

Never use harsh chemicals, as they could damage the finish or integrity of the item.



CONNECT WITH US!   

Tag us @modway_furniture and #modway for a chance to be featured.



Option 1
EEI-6628+EEI-6630/EEI-6629

Clip size/Quantity
W:250*40*20 = 2PCS

Option 2
EEI-6631+EEI-6630

Clip size/Quantity
Y:151*40*20 = 2PCS

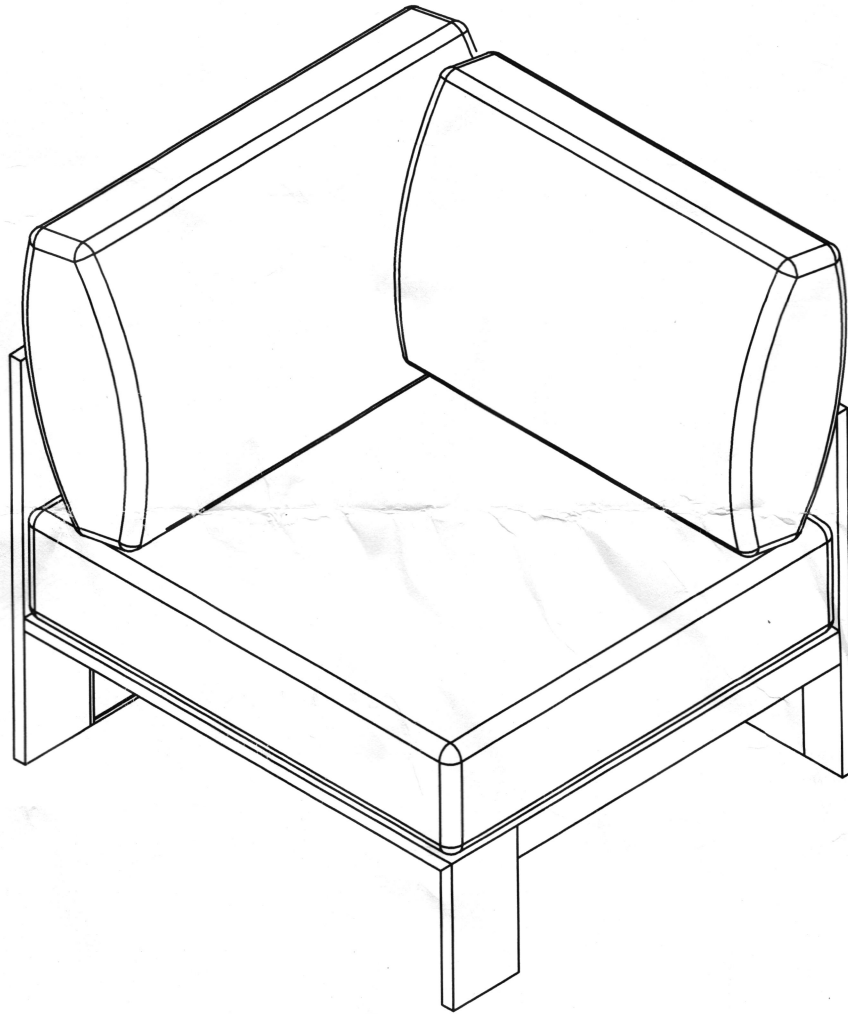
Option 3
EEI-6629+EEI-6630
EEI-6630+EEI-6632

Clip size/Quantity
W:250*40*20 = 2PCS
Y: 151*40*20 = 2PCS

ASSEMBLY INSTRUCTIONS

EEI-6631

V1.07.31.23



Questions? Contact us!

609.256.9000 • cs@modway.com

www.modway.com

***modway**

Let's get started!

*modway



Read through all of the instructions before starting



Approx. 30 minutes assembly time



2 people recommended for assembly



Care instructions are listed in the last step of this manual



Make sure you have all parts and components before discarding any packing materials

Only use hand tools to assemble this item. Do not use power tools. Do not tighten bolts or screws completely until all hardware is lined up and inserted into the holes.

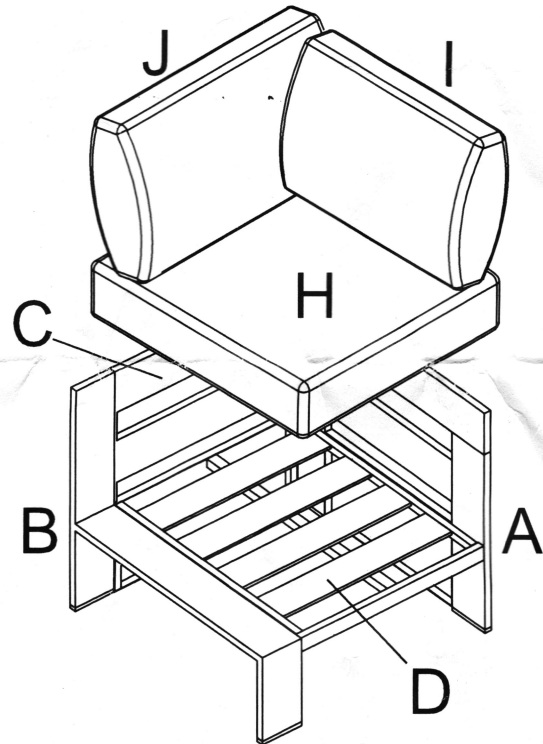
Do not over-tighten screws and bolts to avoid stripping the hardware or cracking the item.

Assemble your item on a flat, carpeted area, with plenty of space to work. This will prevent damage and scratches to your floors or the item while you're assembling the product.

Keep all components and packaging out of reach of children or animals to avoid risk of choking or suffocation.

Furniture components:

A	Side Frame	x1
B	Corner Leg Frame	x1
C	Back Frame	x1
D	Seat Frame	x1
H	Seat Cushion	x1
I	Small Back Cushion	x1
J	Big Back Cushion	x1



Provided hardware:

E		Bolt M6 x 35mm	x8
F		Bolt M6 x 20mm	x4
G		Allen Wrench	x1
X		Clip 272*40*20	x2
Y		Clip 151*40*20	x2

Wait!

Missing parts or hardware? Need assistance?
Contact us before returning your item. We're here to help!
609.256.9000 • cs@modway.com

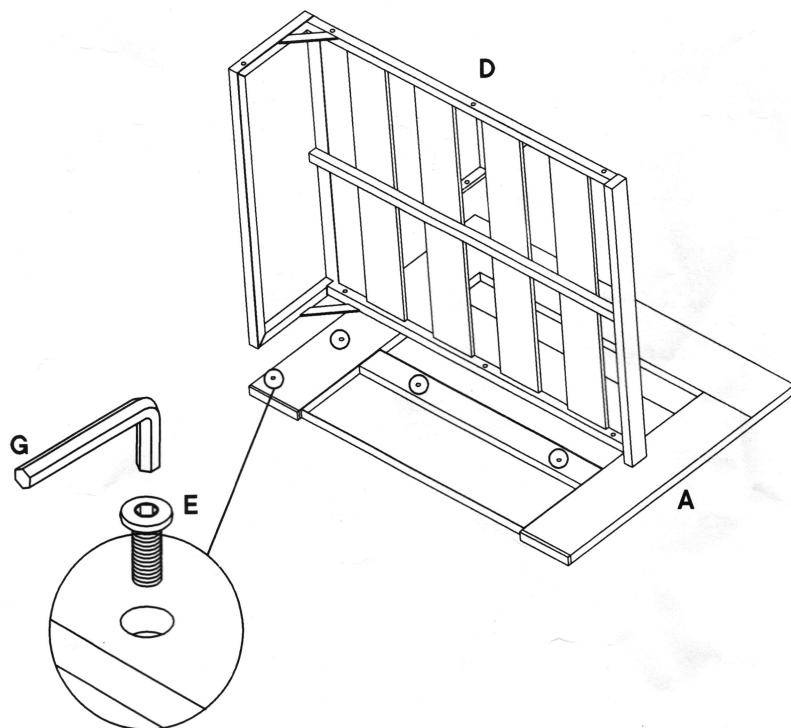
Step 1

COMPONENTS

- A** Side Frame x1
- D** Seat Frame x1

HARDWARE

- E** Bolt M6 x 35mm x4
- G** Allen Wrench x1



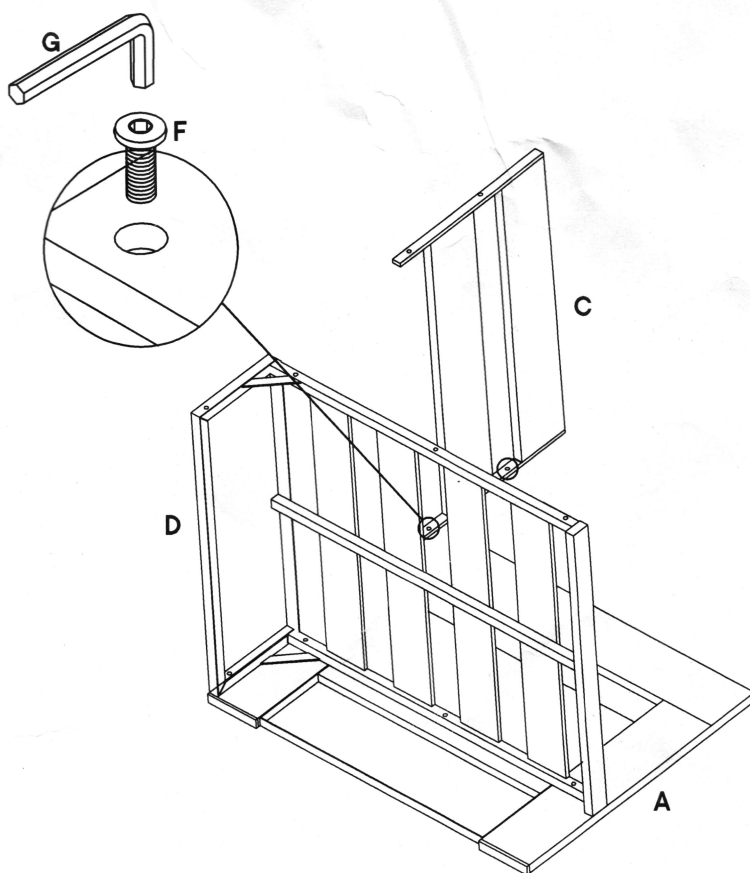
Step 2

COMPONENTS

- A** Side Frame x1
- C** Back Frame x1
- D** Seat Frame x1

HARDWARE

- F** Bolt M6 x 20mm x2
- G** Allen Wrench x1



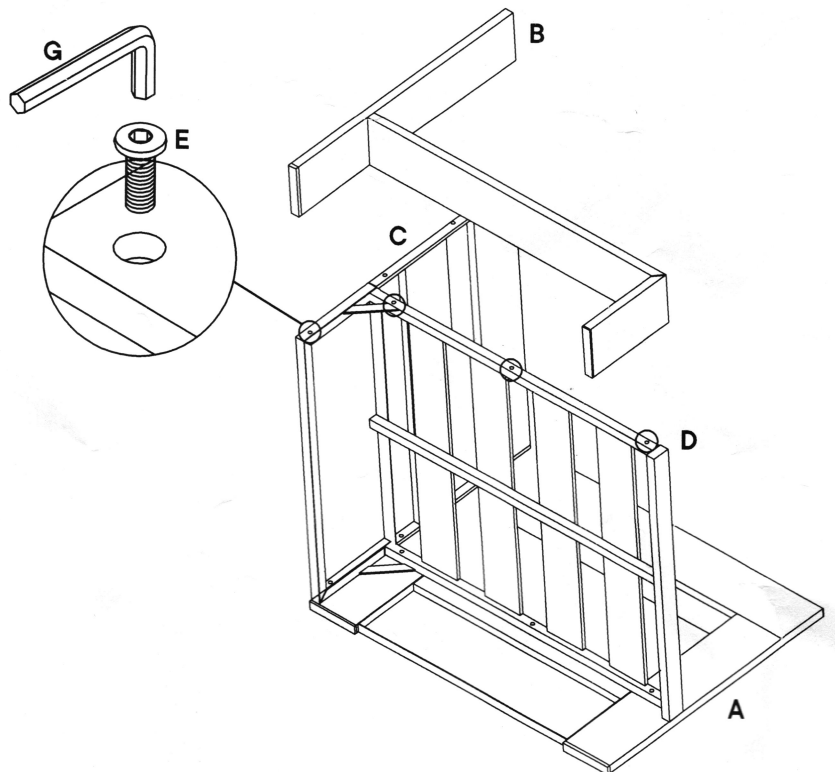
Step 3

COMPONENTS

A	Side Frame	x1
B	Corner Leg Frame	x1
C	Back Frame	x1
D	Seat Frame	x1

HARDWARE

E	Bolt M6 x 35mm	x4
G	Allen Wrench	x1



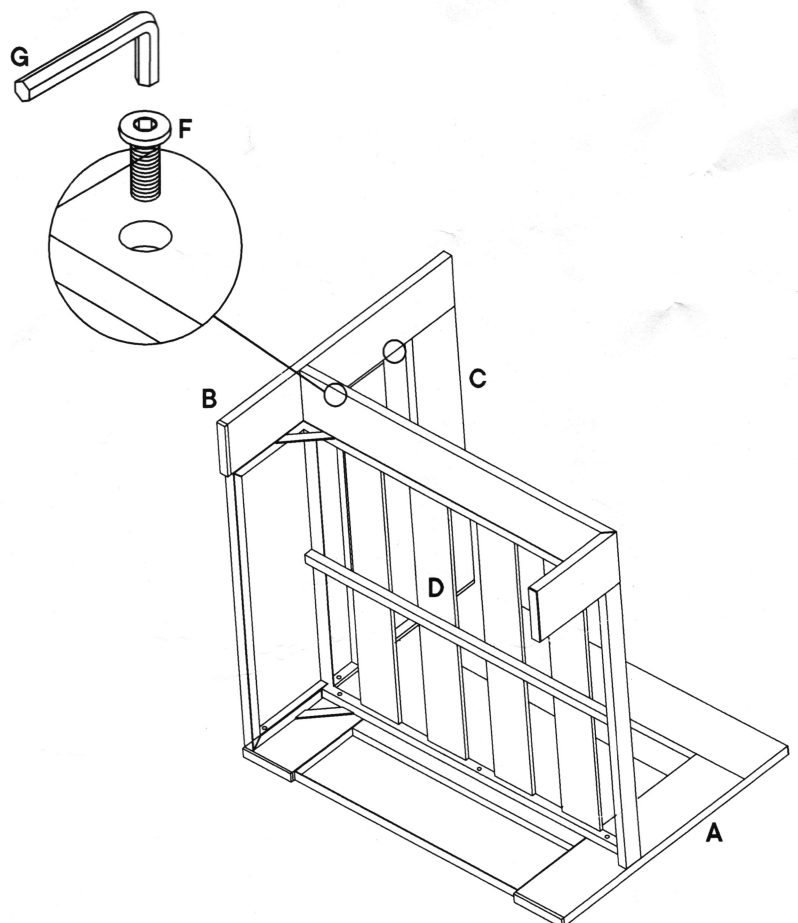
Step 4

COMPONENTS

A	Side Frame	x1
B	Corner Leg Frame	x1
C	Back Frame	x1
D	Seat Frame	x1

HARDWARE

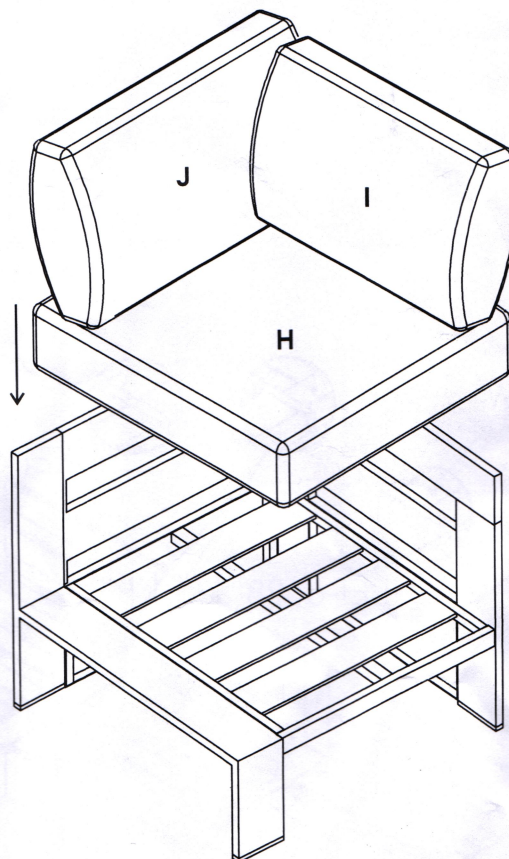
F	Bolt M6 x 20mm	x2
G	Allen Wrench	x1



Step 5

COMPONENTS

- | | | |
|----------|--------------------|----|
| H | Seat Cushion | x1 |
| I | Small Back Cushion | x1 |
| J | Big Back Cushion | x1 |



Great job!

Your corner is complete and ready to enjoy.

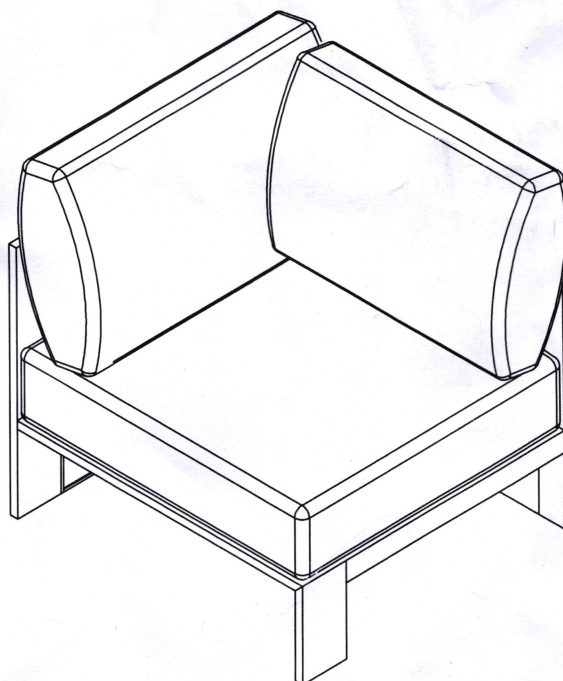
♥ CARING FOR YOUR ITEM

Indoor or outdoor use.

Not contract grade.

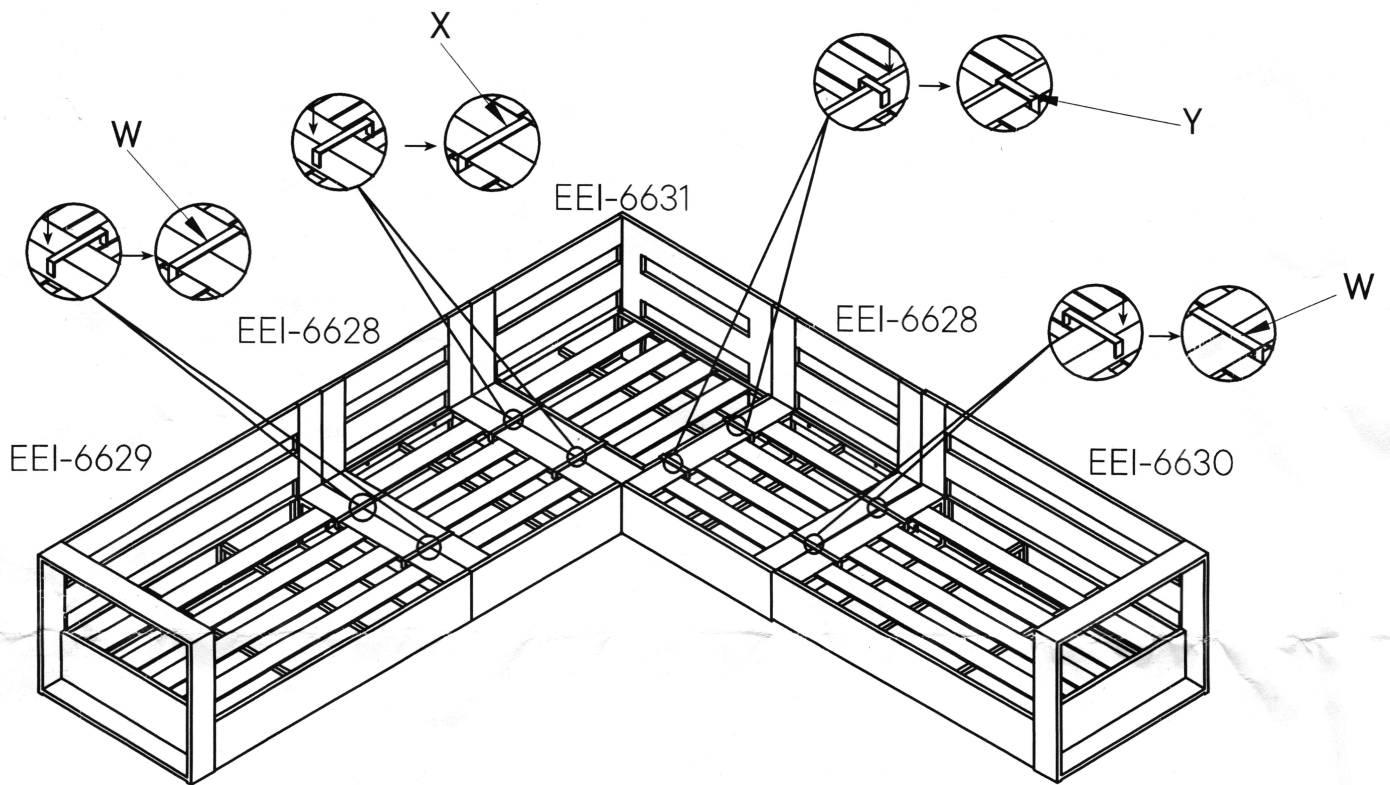
Clean using a non-abrasive cloth and a mild cleaner.

Never use harsh chemicals, as they could damage the finish or integrity of the item.



CONNECT WITH US!   

Tag us @modway_furniture and #modway for a chance to be featured.



Option 1
EEI-6628+EEI-6631

Clip size/Quantity
X: 272*40*20 = 2PCS / Y: 151*40*20 = 2PCS

Option 2
EEI-6631+EEI-6630
EEI-6631+EEI-6629

Clip size/Quantity
Y: 151*40*20 = 2PCS
X: 272*40*20 = 2PCS