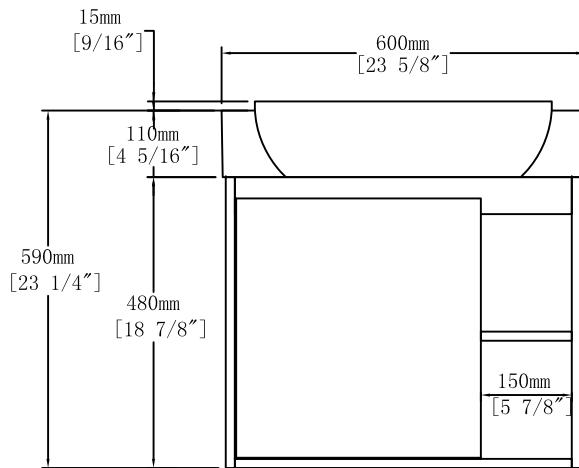
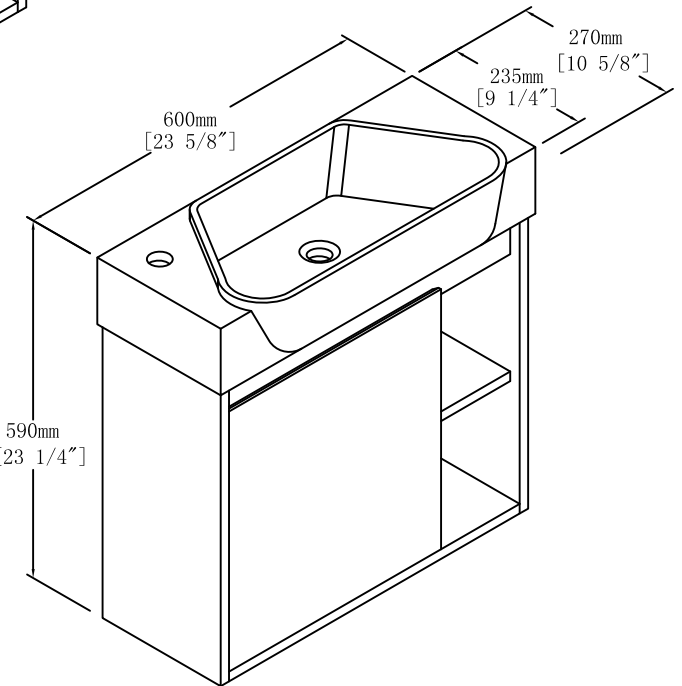
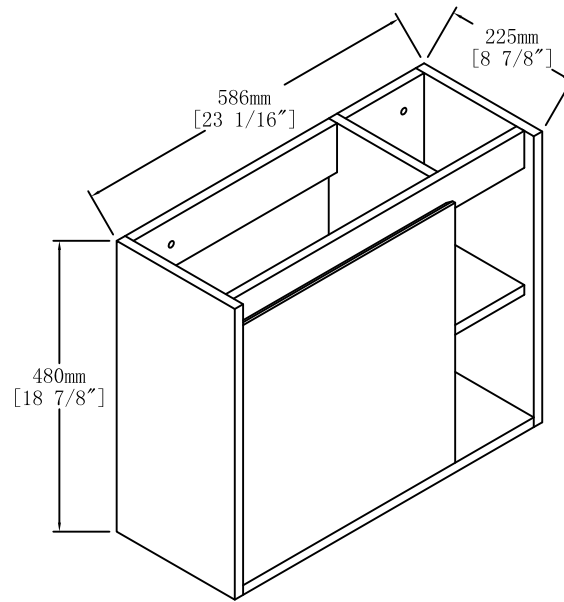
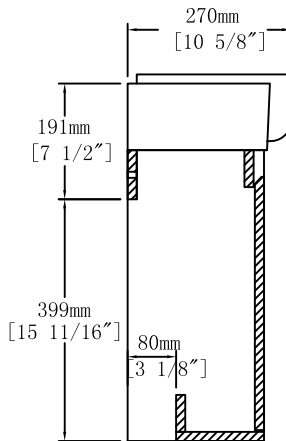


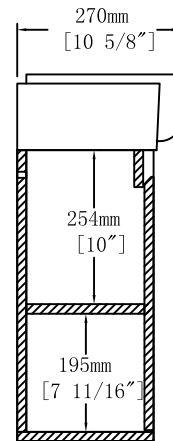
Top View



Front View



Side View



Side View



Item NO.

BV B13324

Version

V1

Project

Date

2025-4-18