

**F278 CEILING FAN**

## Important Safety Instructions

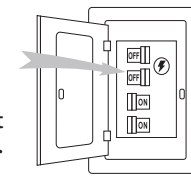
1. Read all instructions and safety information before installing your new fan. Review the accompanying assembly diagrams.
2. Before installing the fan, disconnect the power by removing fuses or turning off circuit breakers.
3. Make sure all electrical connections comply with local law and the national electrical code. Please hire a qualified electrician or consult a do-it-yourself wiring handbook if you are unfamiliar with installing electrical wiring.
4. Make sure the installation site is roomy enough to allow fan blades to rotate. There is at least seven feet from the floor to fan blades' tips.
5. If you are mounting the fan on a ceiling outlet box, please use a metal outlet box. Secure the box directly to the building structure. The outlet box and its support must be able to support the rotating fan (at least 50 lbs). Do not use a plastic outlet box. Attach the mounting bracket using the ceiling outlet box's hardware.
6. If you are mounting the fan on a joist, make sure it is strong enough to support the rotating fan (at least 50 lbs).
7. After installing the fan, make sure all the connections are secured so that the fan won't fall.
8. Do not insert anything between fan blades while the fan is operating.
9. Turn the fan off and wait for it to stop before reversing fan's rotating direction.
10. To reduce the risk of electrical shock and personal injury, do not install the fan on a sloped ceiling and do not use this fan with any solid-state fan speed control device, or rheostat. You must install the outlet box using the two steel screws and lock washers coming with the fan.

## BEFORE YOU START

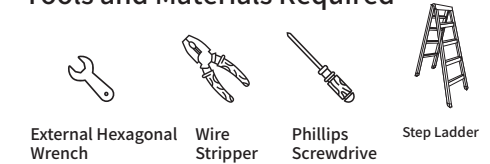
Contact a licensed electrician if you are not good at performing electrical work. It's the licensed electrician who installs the fan, if required by the local code. Do not use the fan with a dimmer switch. Turn off power at breaker.

## BEFORE YOU START

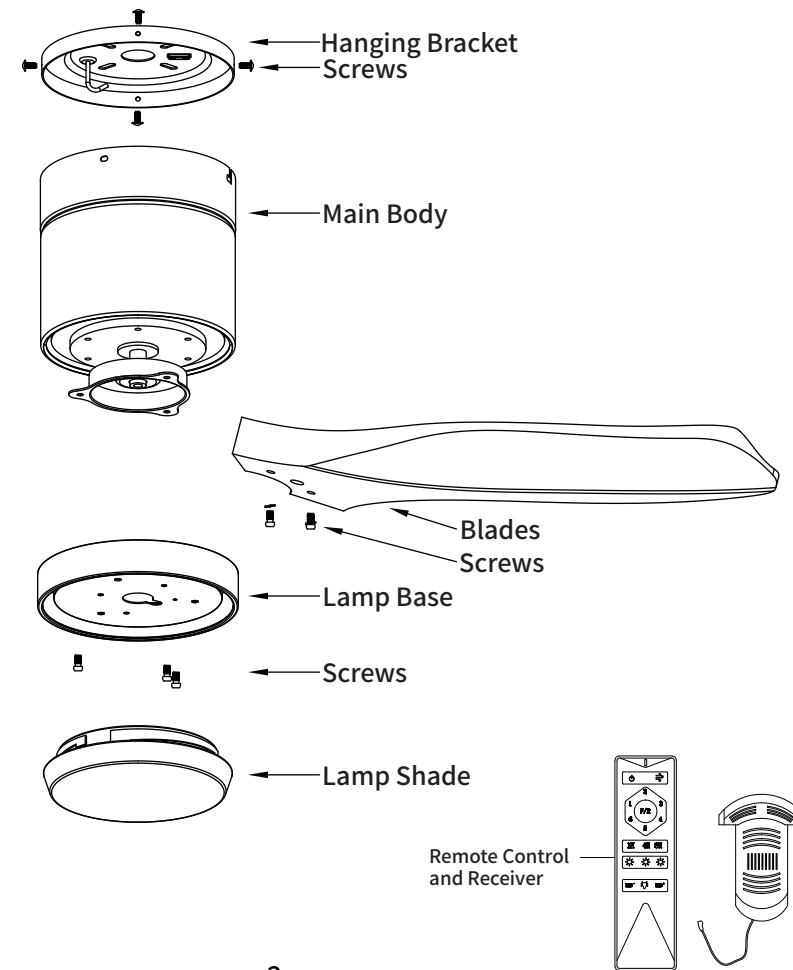
Contact a licensed electrician if you are not good at performing electrical work. It's the licensed electrician who installs the fan, if required by the local code. Do not use the fan with a dimmer switch. Turn off power at breaker.



### Tools and Materials Required



## Product Instruction

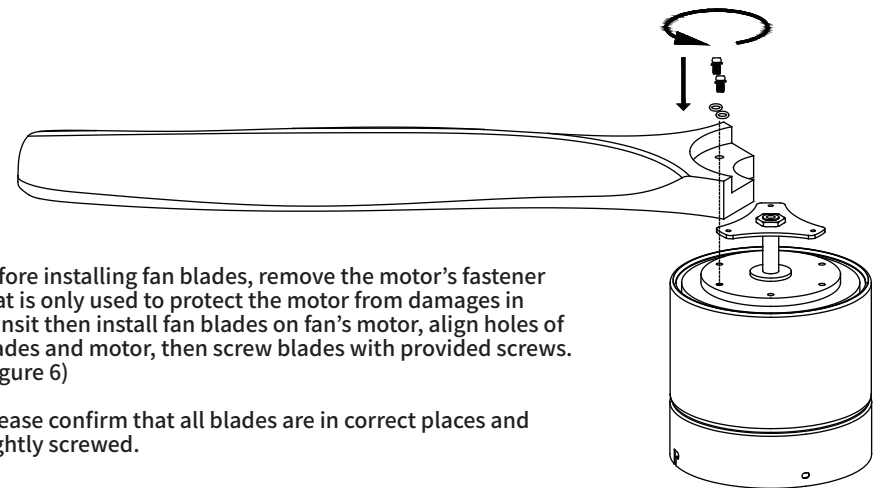
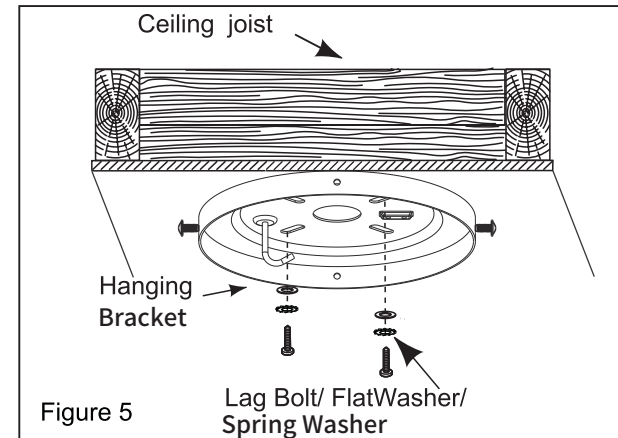


## INSTALLING THE FAN

Tools Required: Phillips screwdriver, a pair of pliers, straight slot screwdriver, adjustable wrench, step ladder, and wire cutters.

## INSTALLING THE FLUSH MOUNT FAN LIGHT

1. Securely attach the hanging bracket to the ceiling joist using the lag bolt, flat washers and spring washer supplied. (Figure 5)



2. Before installing fan blades, remove the motor's fastener that is only used to protect the motor from damages in transit then install fan blades on fan's motor, align holes of blades and motor, then screw blades with provided screws. (Figure 6)

Please confirm that all blades are in correct places and tightly screwed.

### 3.Connections

**! WARNING**  
 To avoid possible electrical shock, make sure the electricity is turned off at the main fuse box before wiring.

- Connect 110-240V main power (dwelling) to the terminal block located on the hanging bracket.
- Place the receiver in the hanging bracket with its flat side facing up.
- Insert the 3P connector of hanging bracket into the DC POWER INPUT socket of the receiver
- Insert the 2P light connector of fan motor assembly into the 2P LIGHT socket of the receiver
- Insert the 3P motor connector of fan motor assembly into the 3P MOTOR socket of the receiver
- Connect the 1P yellow/green connectors of fan motor assembly to hanging bracket. (Figure 7)

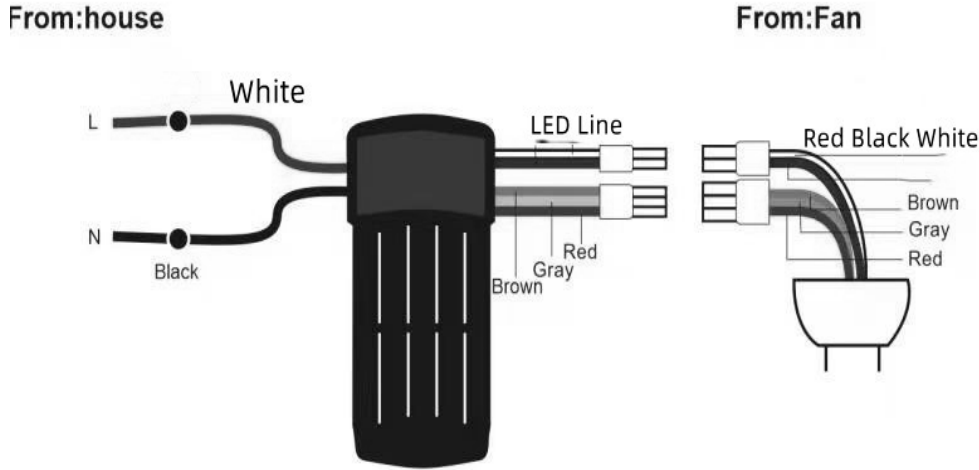


Figure 7

- 4.Hang the motor assembly onto the two pre-installed hanging bracket's screws, then install the other two hanging bracket's screws. (Figure 8)

**! WARNING**  
 It is critical that the clevis screw in the downrod support is properly installed and the installed screws are tightened.

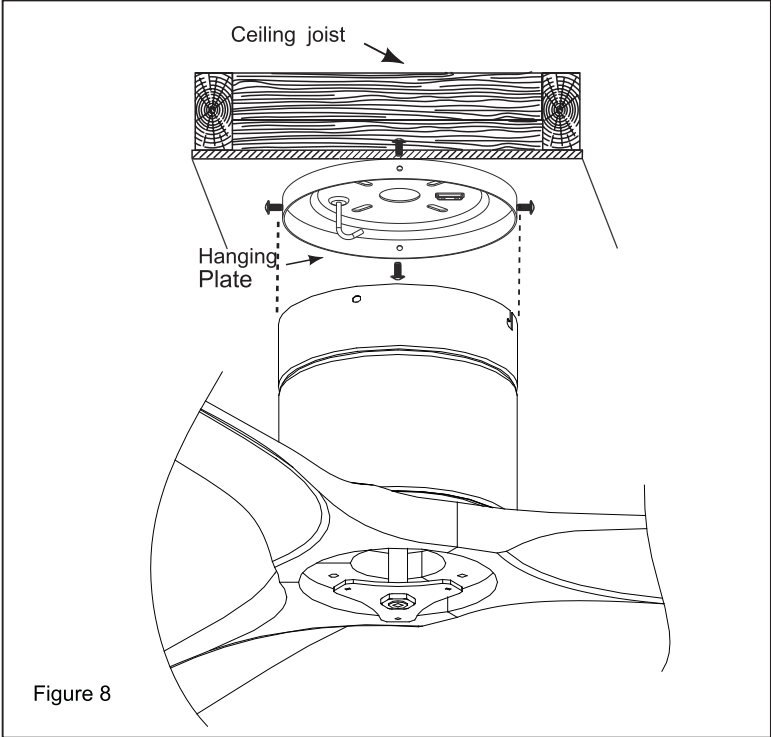


Figure 8

**! WARNING**  
 There must be at least 230 cm from the floor to blades when hanging the fan.

- 5.
- 1). Connect the LED lamp's wires to the fan motor's wires.
- 2). Install the LED lamp on the motor with three screws. (Figure 9)

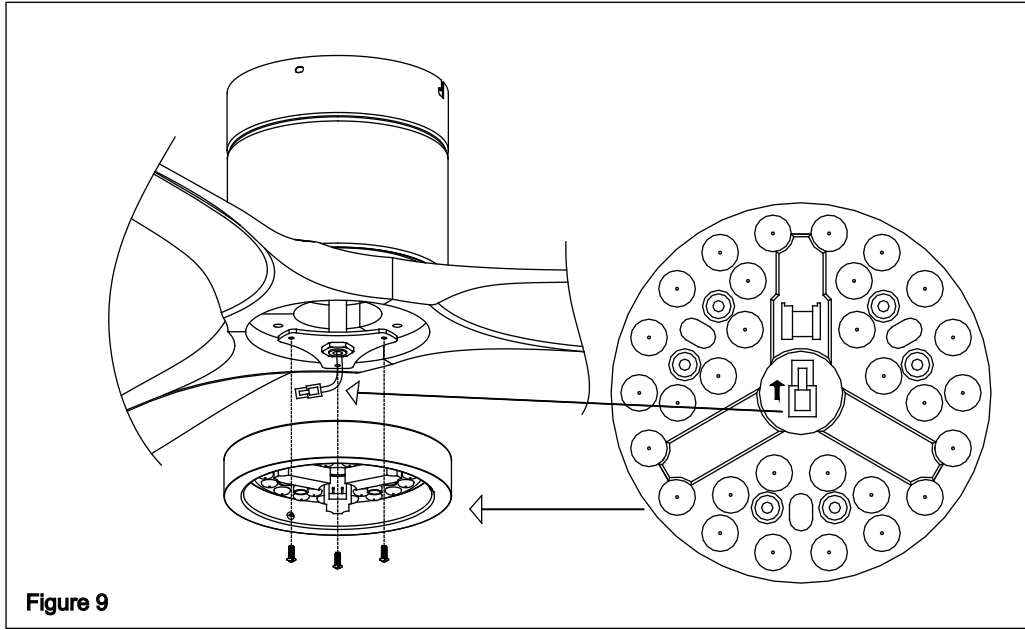


Figure 9

6. Carefully install the glass lamp shade into the main body and turn clockwise to lock. (Figure 10)

**WARNING:** Take care not to over tighten when installing the glass lamp shade.

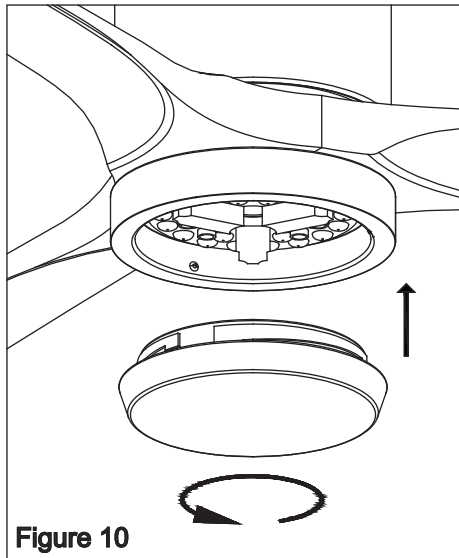
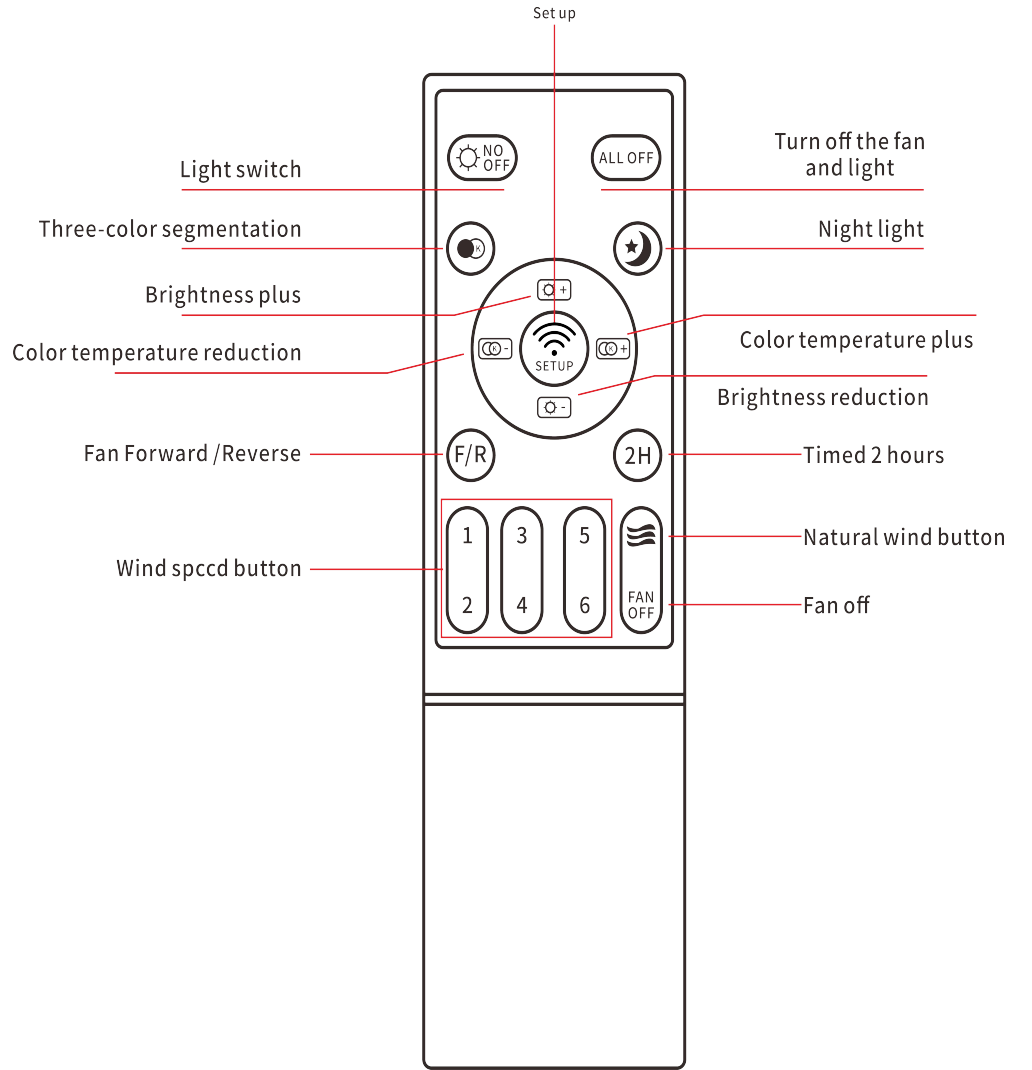


Figure 10



1.5V AAA battery X 2pcs (not included)



## IMPORTANT:PAIRING BETWEEN REMOTE AND RECEIVER

When the remote control cannot control the fan light, you can use the following method to code:

first turn off the power switch (wall or main Power), then turn it back on after 10 seconds. Once you see the light on, immediately press and hold the "SETUP" button on the remote control for 5 seconds .

## IMPORTANT NOTES

The first step of pairing must be performed within 30s after turning "ON" the power supply.

- 1(a). When pairing multiple fans, please ensure the isolation switch or the power supply to the first installed fan is turned off prior to pairing further fans. Please pair one fan at a time.
- 1(b). Please ensure the isolation switch is kept "ON". The isolation switch can not act as a light switch as it will impair the remote receiver.
2. When the transmitter's functions are disabled, please check the battery orientation and power level. Low battery voltage will affect your transmitter's functions and your fan's operation. Other remote controls nearby using the same frequency may interfere with your fan's receiver.
3. Please remove batteries from the transmitter if not used for a long period of time.
4. Remote supports 200w maximum lighting.

## IMPORTANT REMINDERS

1. Note: The receiver must be correctly installed in the fan's hanging bracket.
2. When the transmitter cannot control the receiver, please check the battery level and check if similar remote controls your fan nearby and interferes with each other.
3. Battery's low power will affect the transmitter's sensitivity and the signal reception accordingly. You must replace the battery if its power is low.
4. Please take the battery out of the transmitter to avoid battery leaks when not used for a long time.
5. Isolation switch must be connected in the line.
6. When a blackout or otherwise circumstances happen, the light will work normally after the electricity restores.

Please always make sure that the fan is powered off before cleaning or maintaining.

## PROTECTIVE FUNCTIONS OF THE RECEIVER

Lock protection - The DC motor has a built-in safety feature against blade or motor obstruction during operation. If something obstructs the fan blades or motor, the motor will keep trying to run and then stop operation after 30s.

Please remove obstacles and reset.

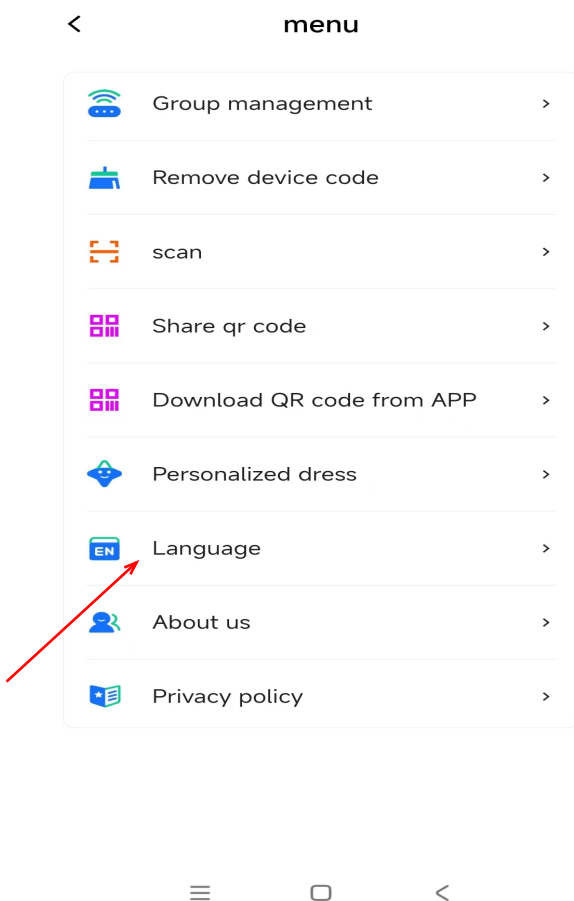
To reset: Turn the fan off by remote transmitter and then turn the fan on.

## REMOTE CONTROL - APP

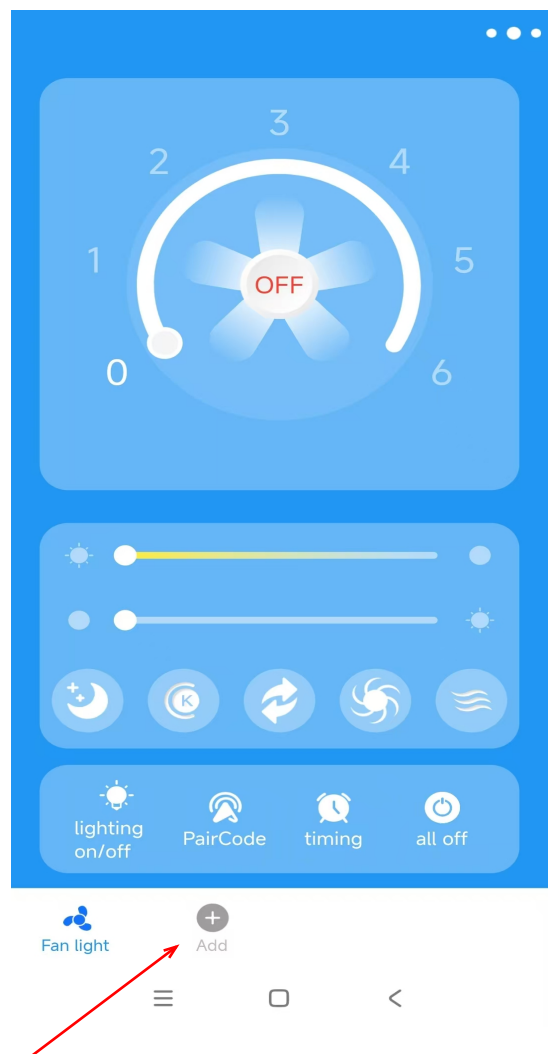


1) Scan the below Barcode

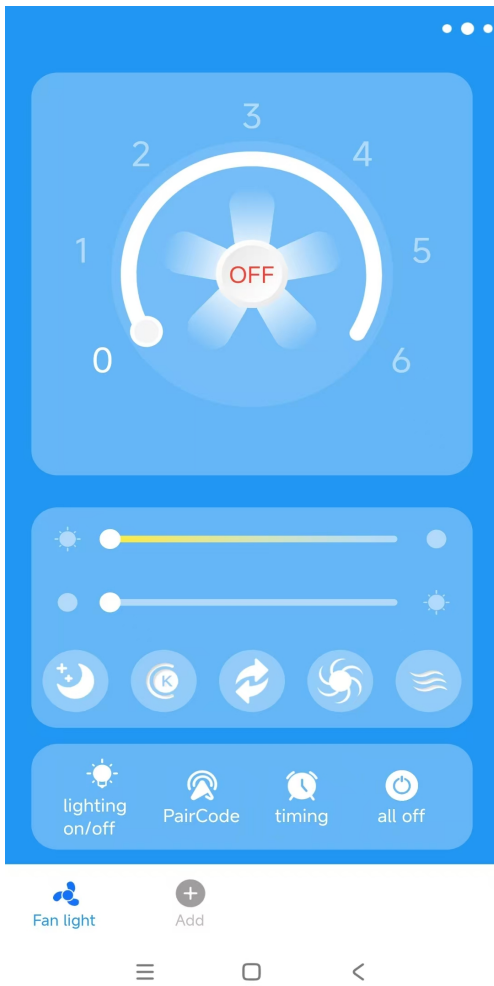
2) Select the browser to open the download link



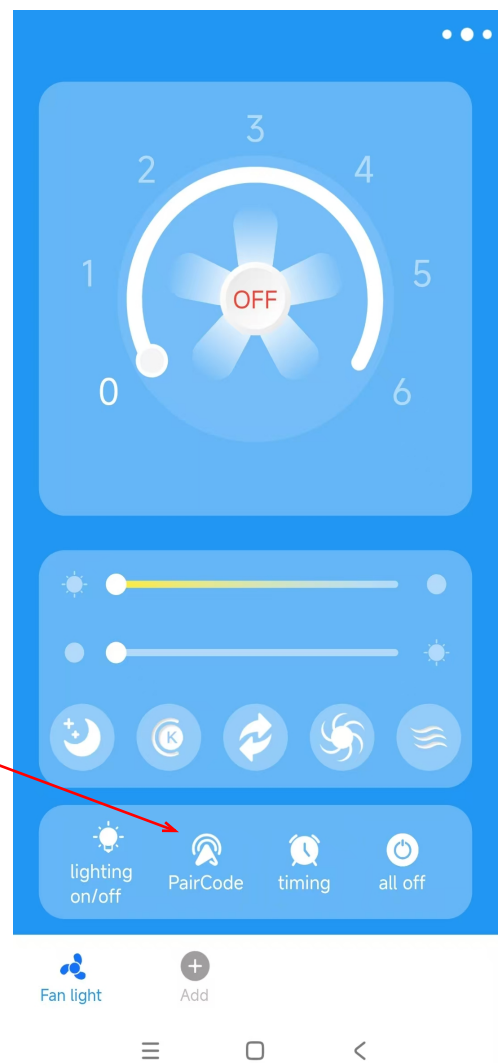
3 ) Choose Language and set room information



4 ) Enter Room interface and click the fan control interface into main control interface



Click this code button



5 ) Enter the main control interface

6 ) Open the Bluetooth setting from smart phone, Smartphone is waiting to connect the new blue tooth device;

7 ) "OFF" the electric power supply firstly.

8) Then " turn on" the power again and quickly click on the code check button 5 times,

9 ) The pair button is in green, the Bluetooth device of Fan lamp had been connected with Smart phone, App could control the Fan lamp now;