

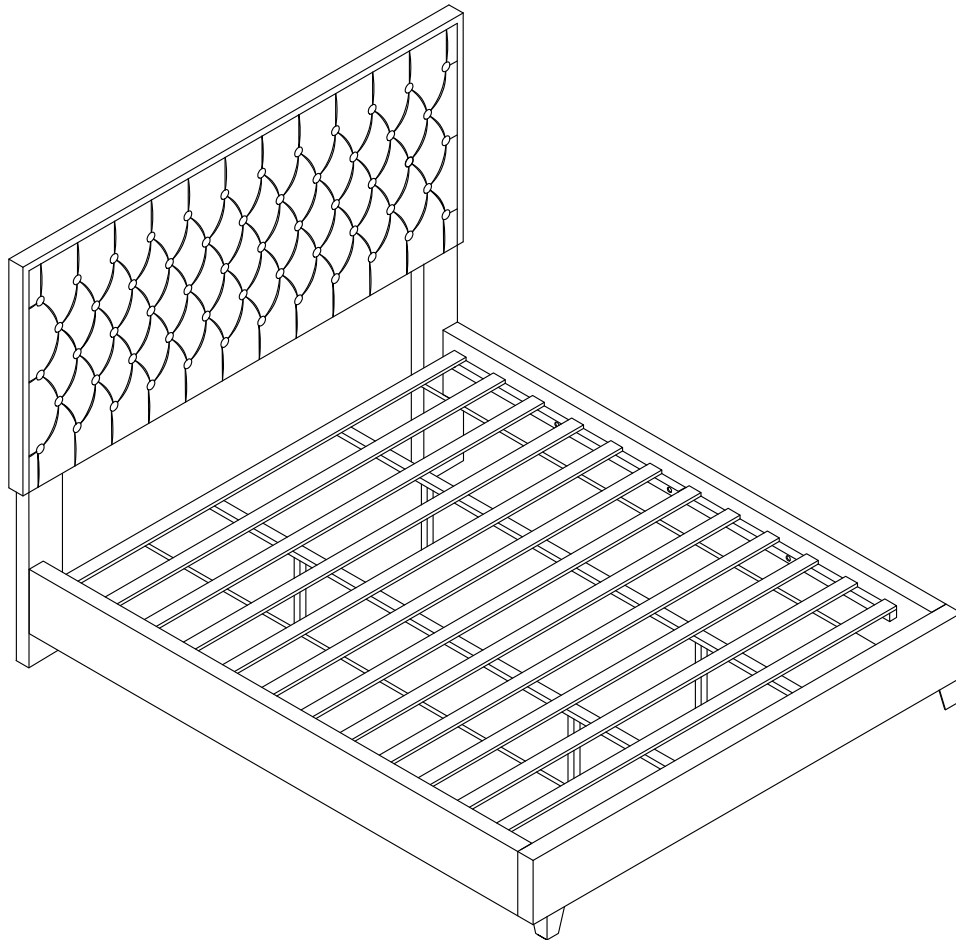
ASSEMBLY INSTRUCTION

ITEM NO: LT-CKING&EKING

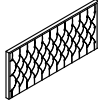
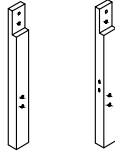
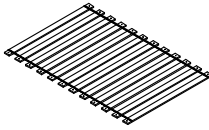
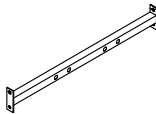








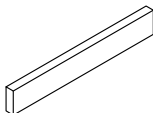
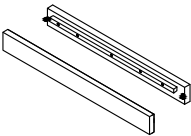
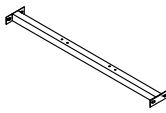

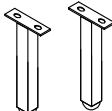
IMPORTANT: PLACE ALL PARTS ON A CLEAN AND SMOOTH SURFACE SUCH AS A RUG OR CARPET TO AVOID THE PARTS FROM BEING SCRATCHED

KINDLY FOLLOW THE ASSEMBLY INSTRUCTIONS STEP

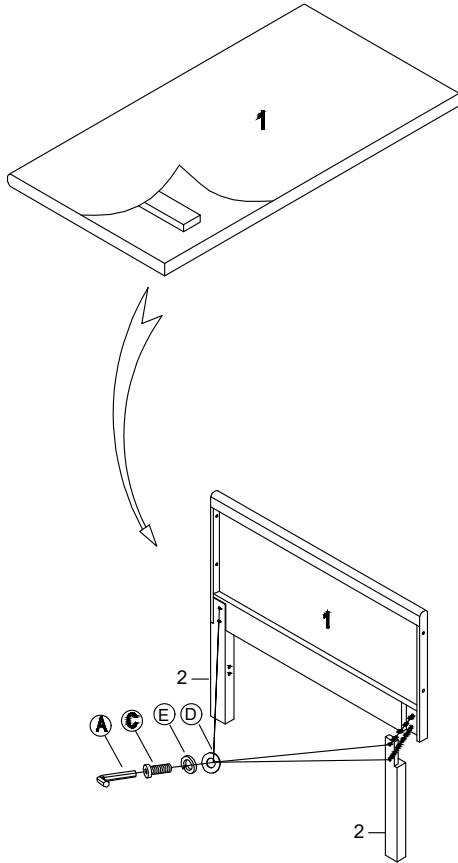
DO NOT TIGHTEN ALL SCREWS UNTIL THE BED IS FULLY SET-UP



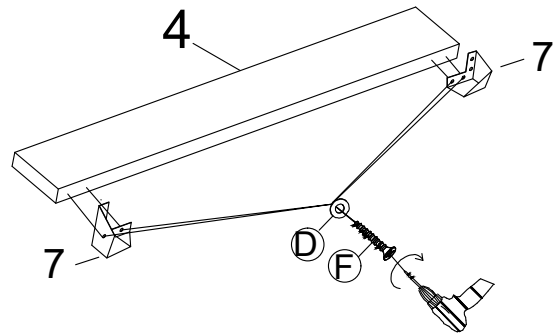
Bed is packed in 2 carton

Carton	Disignation	Part	Hardware
772/779-CK/EK-HB	1.Headboard		
	2.HB Legs		
	9.Slats(12pcs)		
772/779-CK/EK - FB/SR	3.Crossband		 #A x 1pc  #B x 16pcs(1-1/2")  #C x 16pcs(2")  #D x 52pcs  #E x 24pcs  #F x32pcs  #G x 12pcs  #Hx 1pc
	4.Footboard		
	5.Side Rail (2pcs)		
	6.Support Rail (2pcs)		
	7.HB FB LEG (2pcs)		
	8.Support Leg (4pcs)		

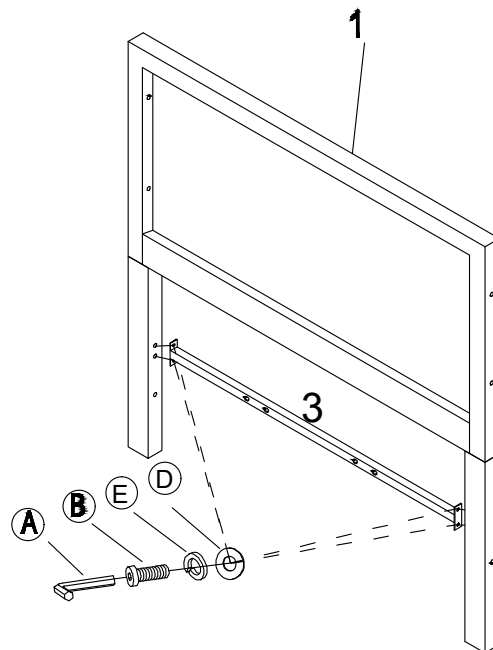
STEP 1



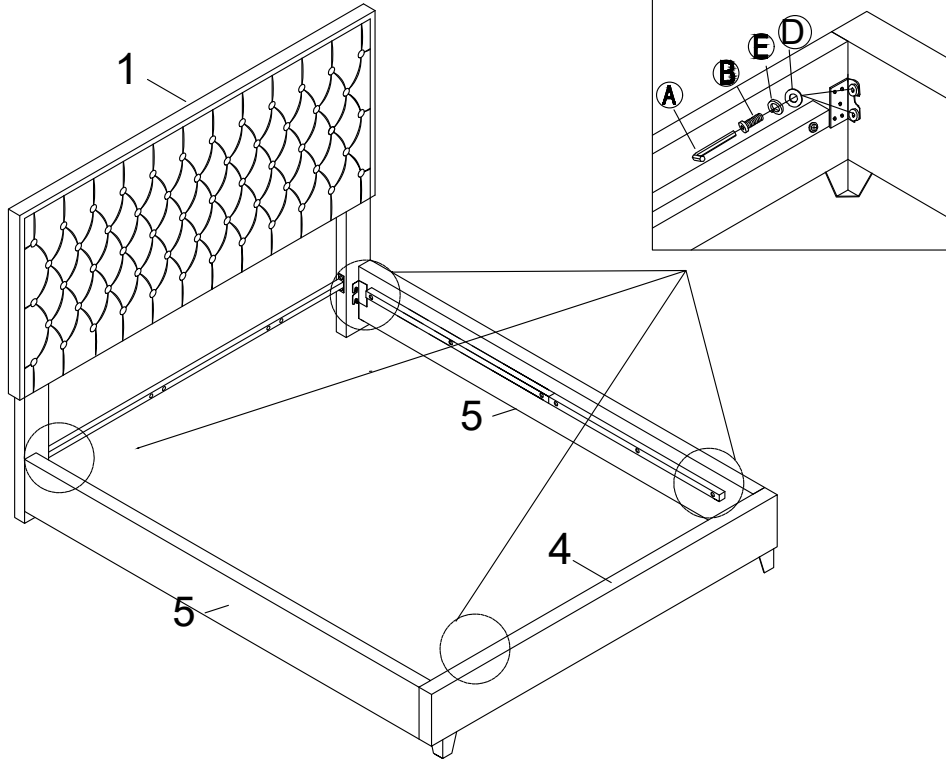
STEP 2



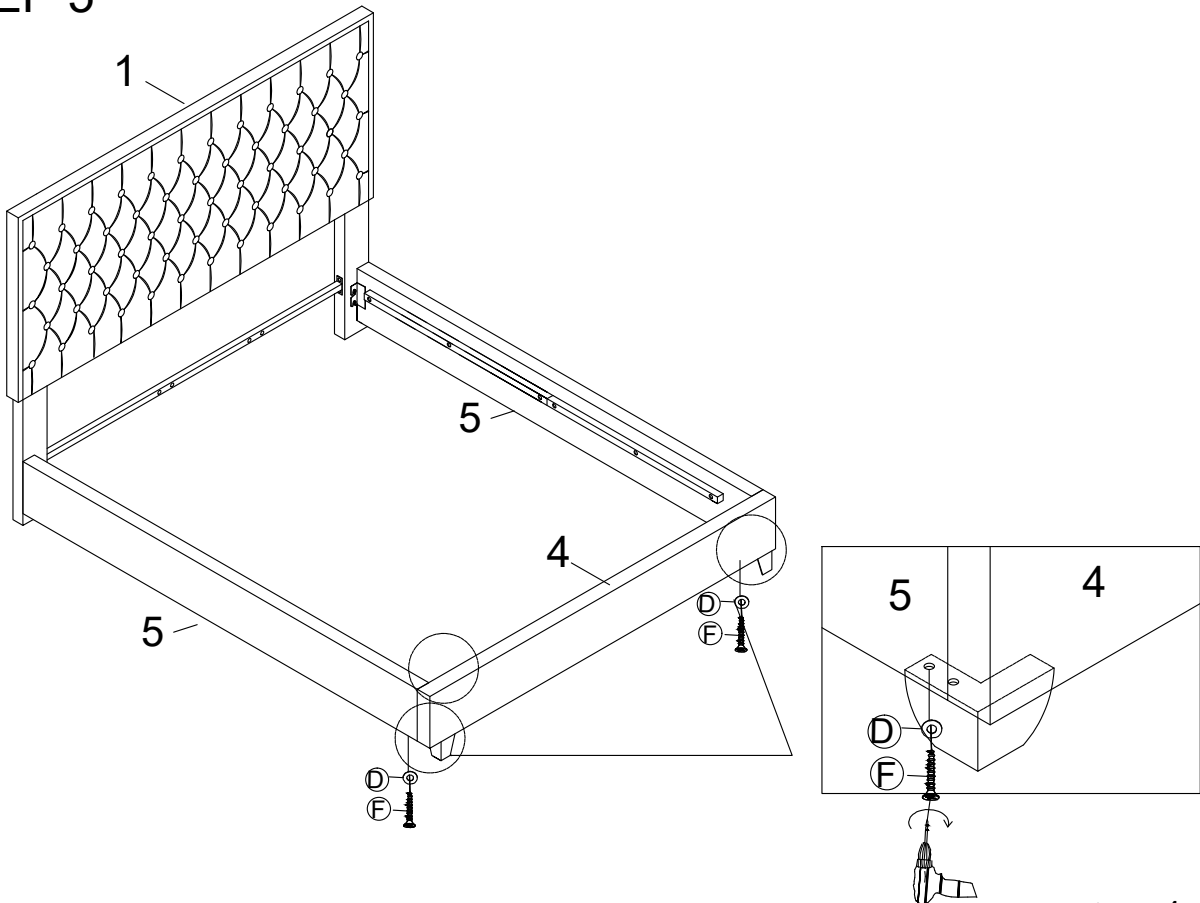
STEP 3



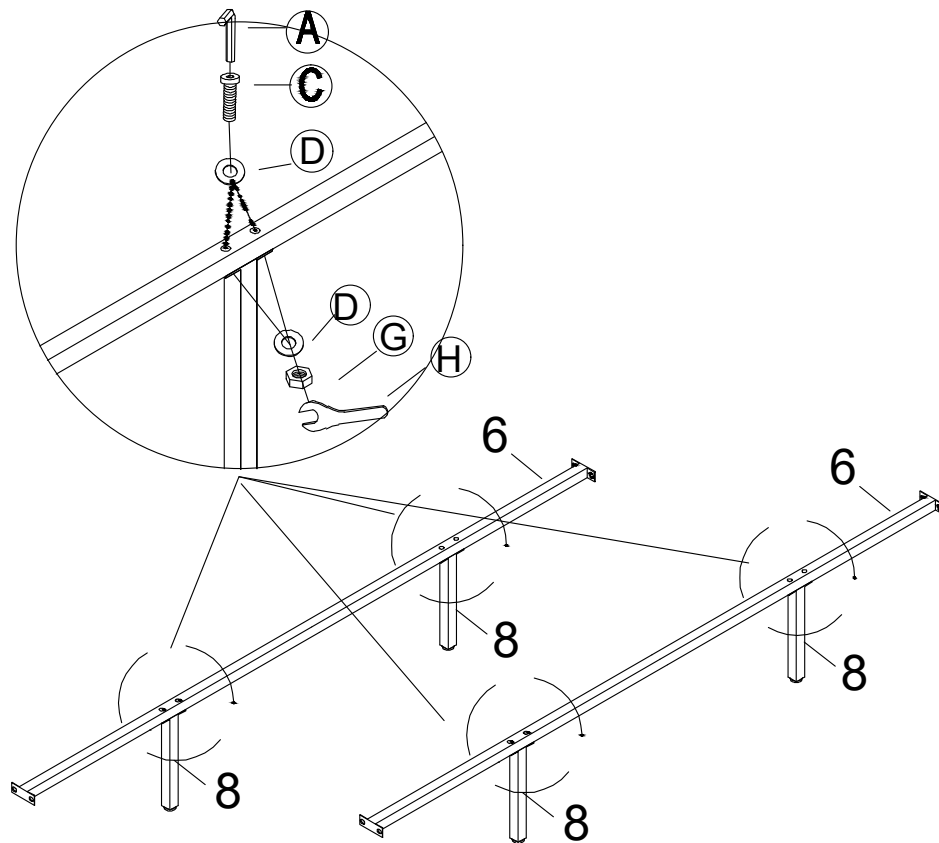
STEP 4



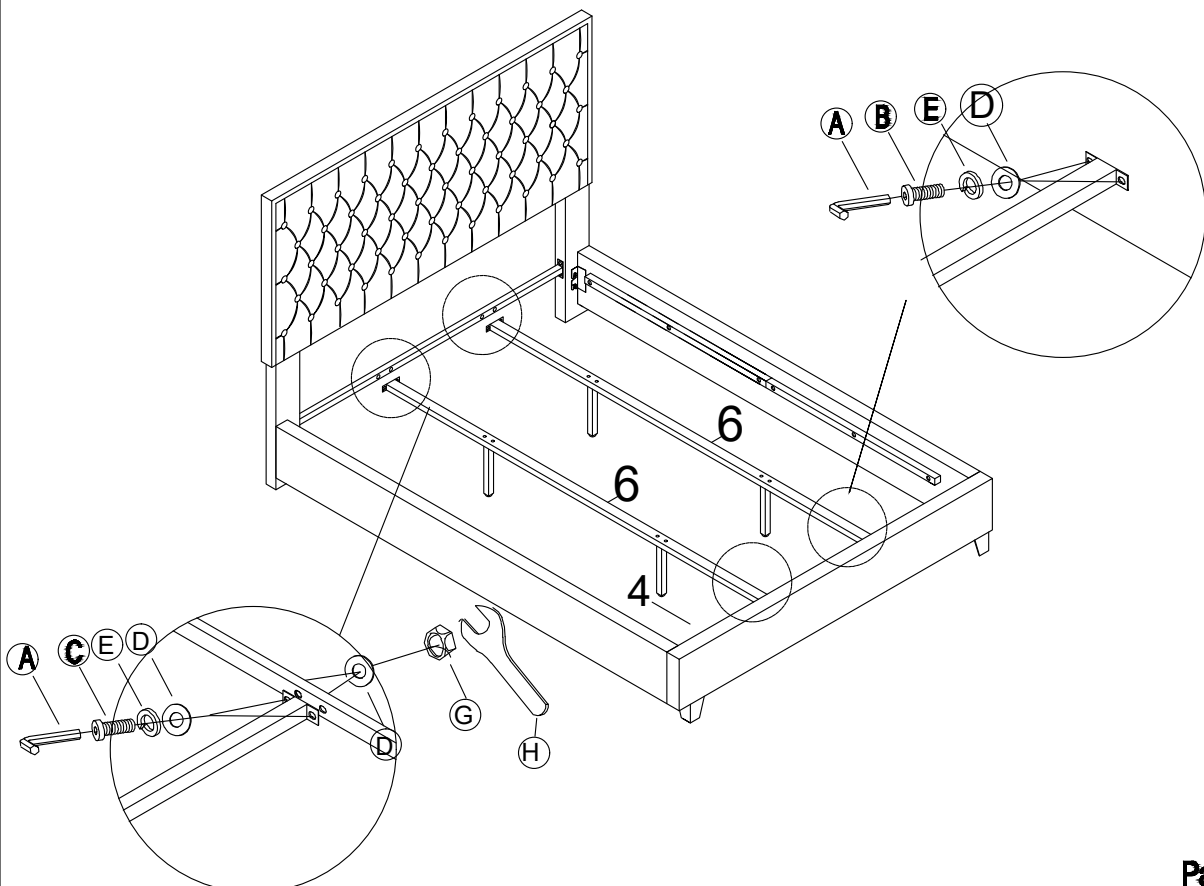
STEP 5



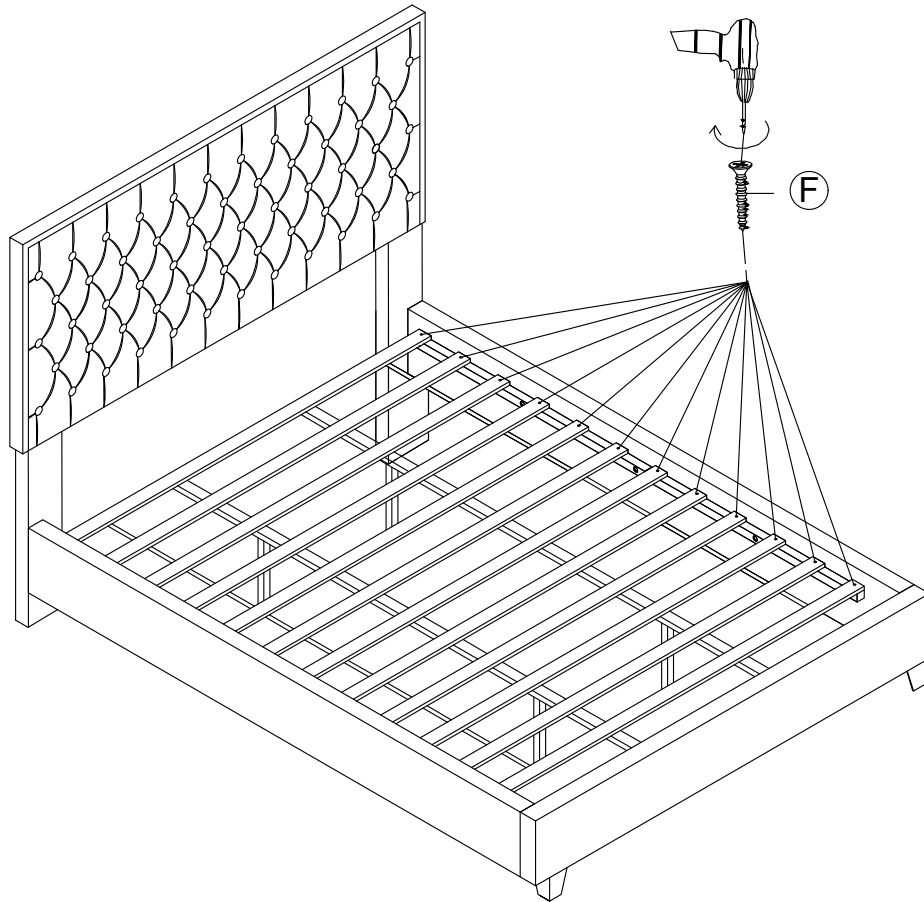
STEP 6



STEP 7



STEP 8



STEP 9

