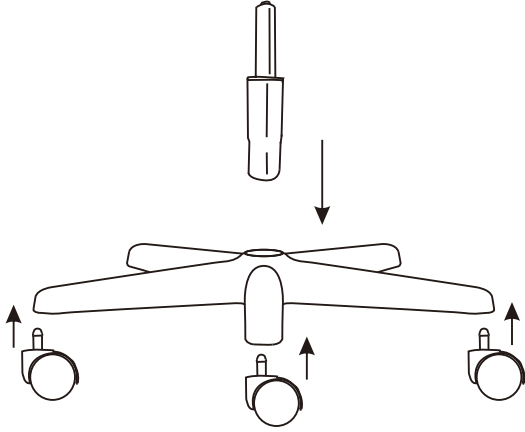


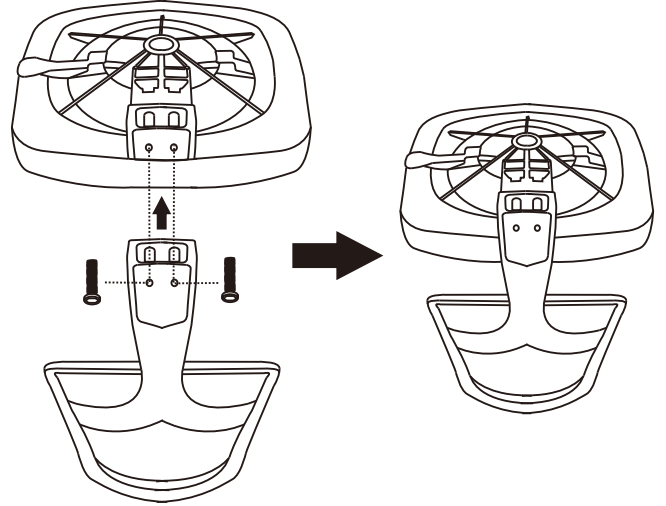
# Assembly instruction sheet

## TD-110

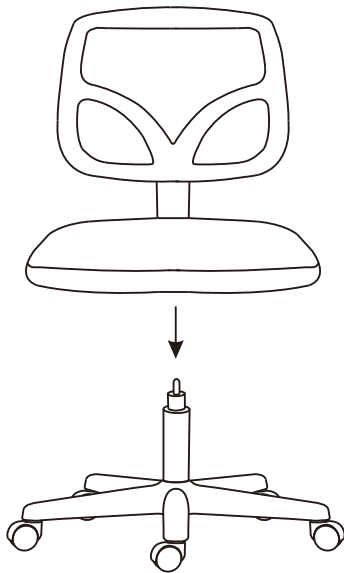
1



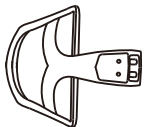
2



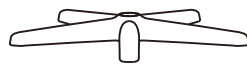
3



4



1



1



1



1



5

