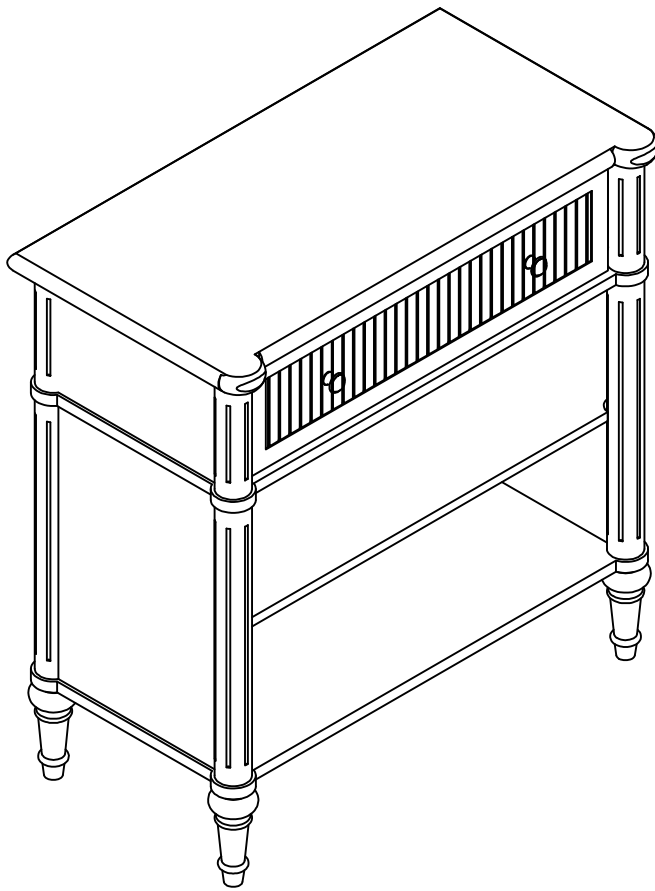


Owner Manual



Per Seat Weight Limitation

100 LBS

Thank You For Choosing Our Furniture

▾ If you have any questions or concerns,
don't hesitate to reach out to us. ▴

NOTE:






This brochure contains
IMPORTANT safety info.
Please read and keep it
for future reference.

MAINTAINANCE AND WARNINGS



Before You Start

Please follow the steps below:

-  Check the packaging for any damage, deformation, or water stains. If there is significant damage, please contact us promptly.
-  Open the packaging and confirm that the panels, hardware, screws, etc are complete.
-  Please read the installation instructions carefully to understand the installation steps and precautions to ensure proper installation.
-  Clean the installation area in advance and ensure the ground is level and there is enough space to avoid damaging the furniture or making installation difficult.
-  Lay a protective mat on the ground to prevent scratching the floor during installation.

After-Sales Service

- If you encounter any issues or need technical support during use, please contact our after-sales team. We offer long-term maintenance and warranty services.



Precautions

- ⚠ This product for indoor use only. Do not expose it to outdoor elements or high-humidity environments.
- ⚠ Keep the product away from high heat or open flames to prevent fire hazards.
- ⚠ Do not allow children to climb on the product to prevent personal injury caused by tipping



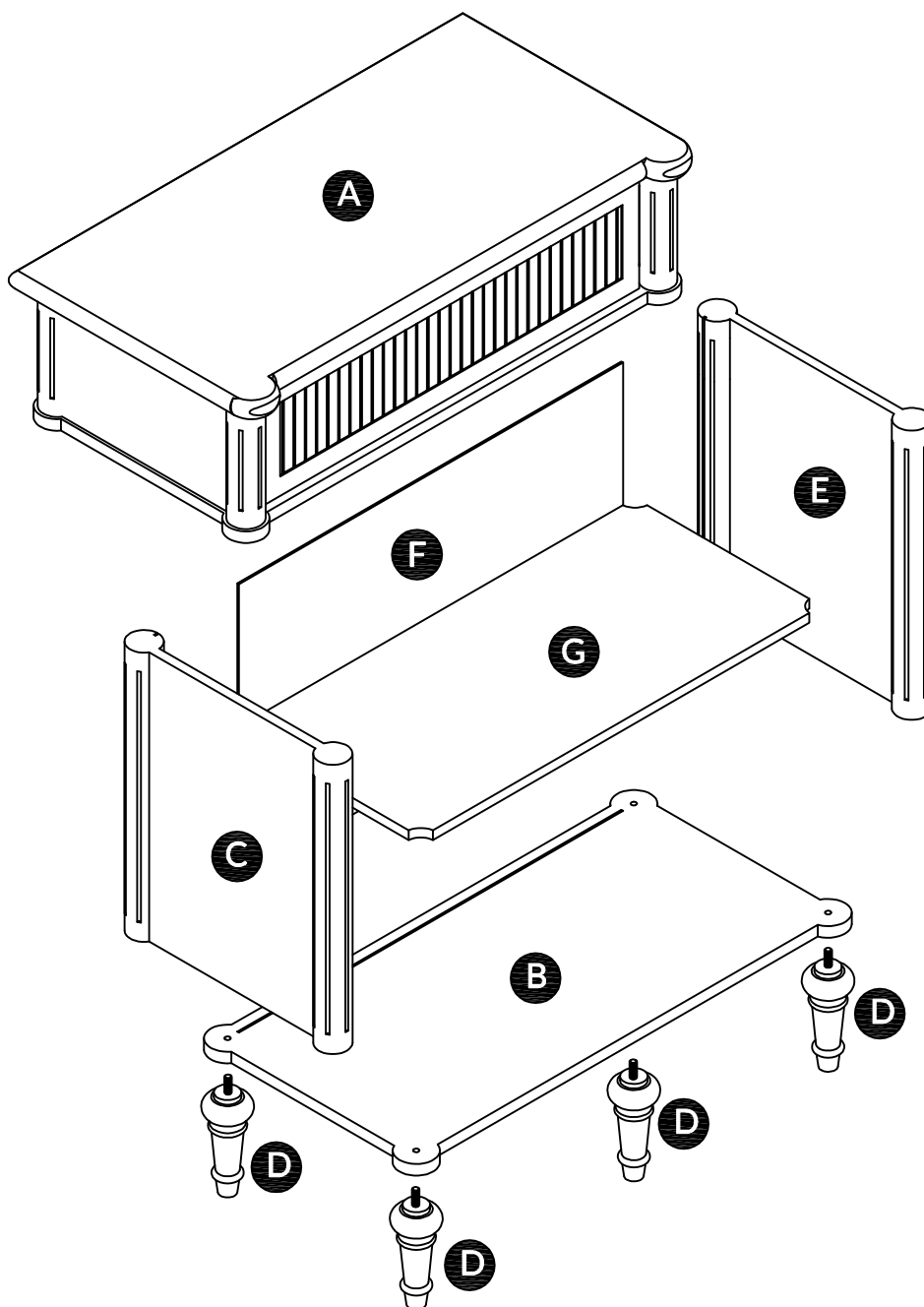
Safety Warnings

- ⚠ If you notice any loose or damaged parts, stop using the product immediately and contact customer service.
- ⚠ Do not attempt to disassemble or replace any components yourself, as this may affect the stability and safety of the product.

Daily Maintenance

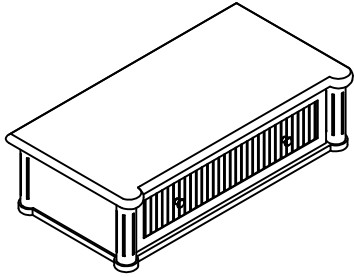
- Regularly clean the surface of the sofa with a soft cloth to prevent dust accumulation.
- Do not use cleaning agents containing acids, alkalis, or corrosive substances, as they may damage the surface. It is recommended to use neutral cleaning agents or specialized furniture cleaners
- Avoid exposing furniture to humid environments for extended periods to prevent swelling or deformation of the boards. Use a dehumidifier or desiccant during humid weather.
- Avoid direct contact of furniture with water. If water is accidentally spilled, wipe it dry immediately.
- Avoid placing excessively heavy objects on the furniture: ensure the weight is within a reasonable load-bearing range.
- Avoid using sharp or rough items on the furniture surface to prevent scratches, Handle items gently when moving them

Explosive view



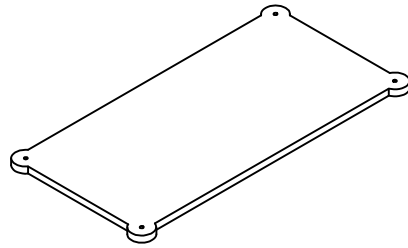
Parts list

A



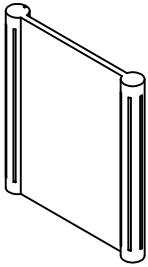
x1

B



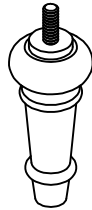
x1

C



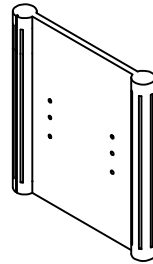
x1

D



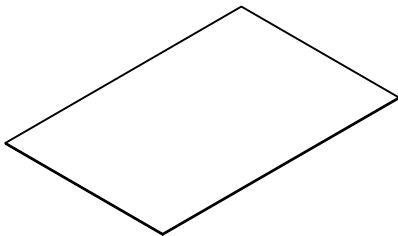
x4

E



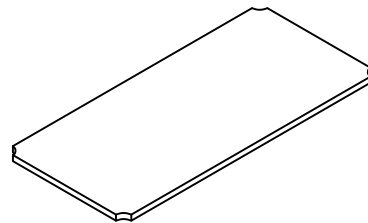
x1

F



x1

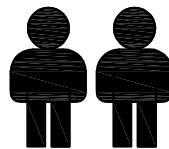
G



x1

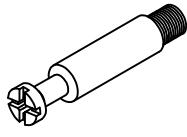

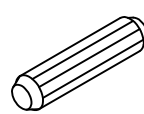
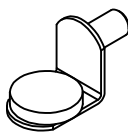
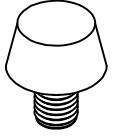
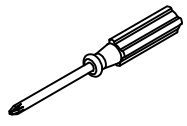
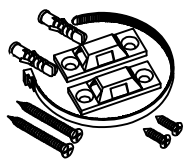
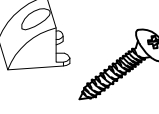


Installation:
15minutes.



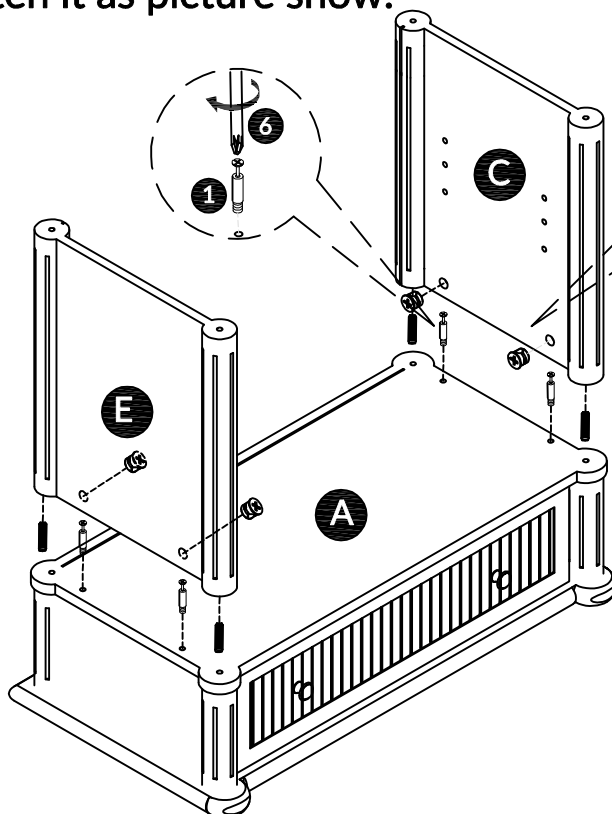
Two Person

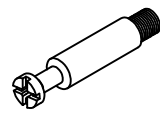

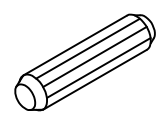
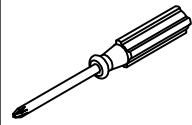
Hardware List

1	x4	2	x4	3	x4	4	x4	5	x4
									
D6x35mm		D15x11mm		D8x30mm					
6	x1	7	x1	8	x10				
									
				D3x14mm					

Step 1

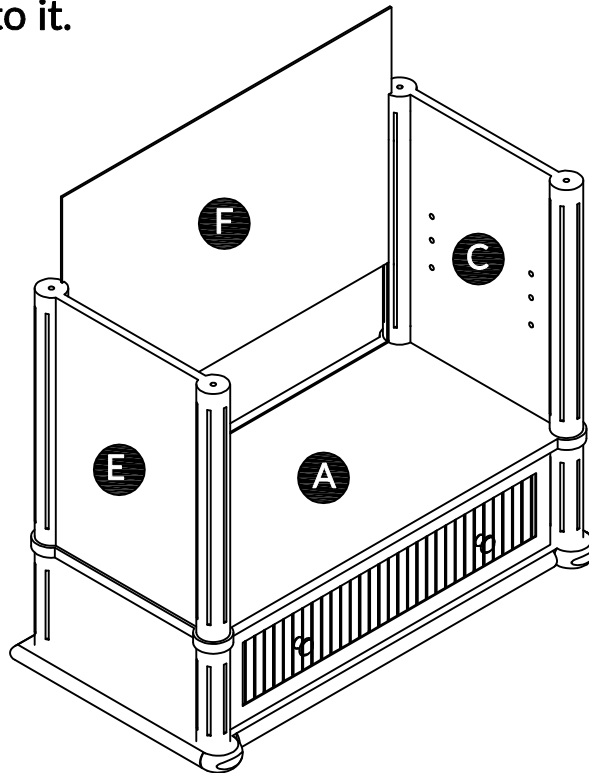
Insert side panel (C/E) into the corresponding hole of shelf panel(A), make sure all holes aligned and use combiner (1/2) and 3 to tighten it as picture show.



1	x4	2	x4
			
D6x35mm		D15x11mm	
3	x4	6	x1
			
D8x30mm			

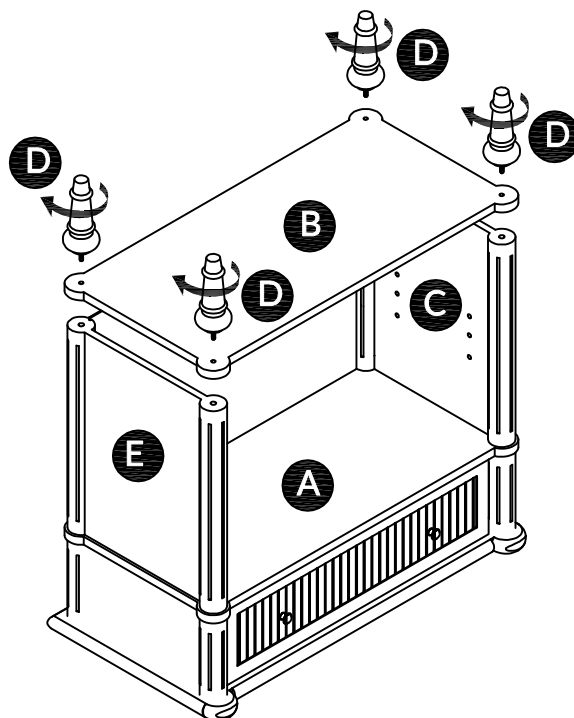
Step 2

Attach panel(F) to it.



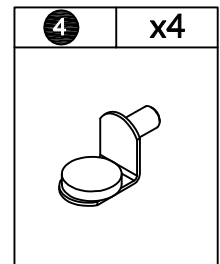
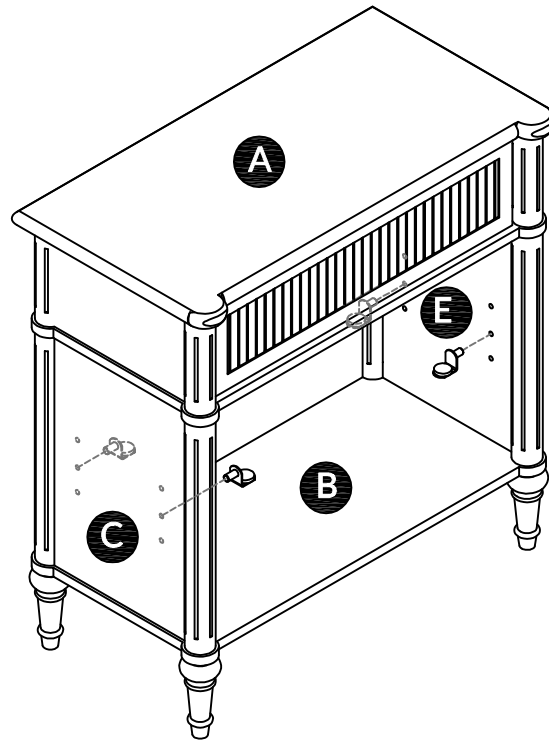
Step 3

Insert leg (D) into the corresponding hole of bottom panel (B), make sure all holes aligned as picture show.



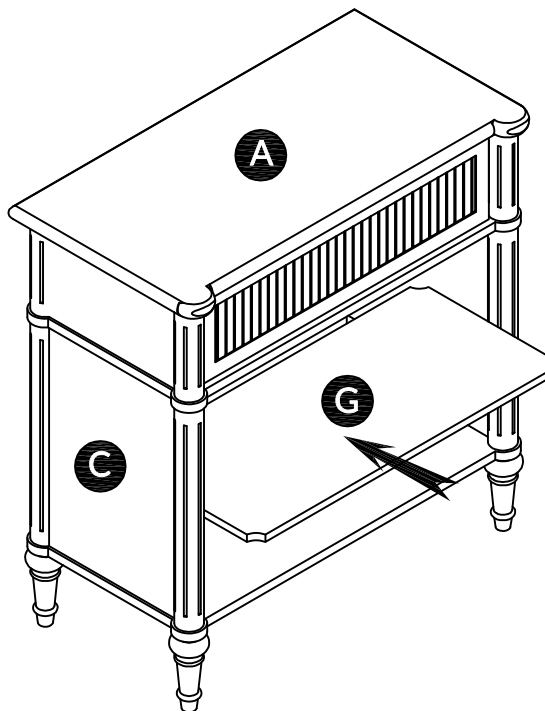
Step 4

Insert shelf holder 4 into the corresponding hole of panel(C/E), make sure shelf holder 4 are level.

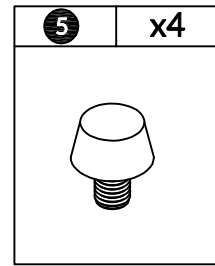
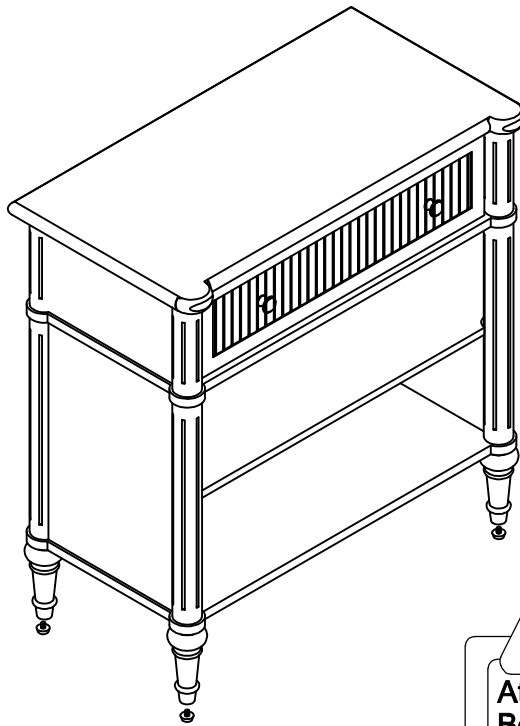
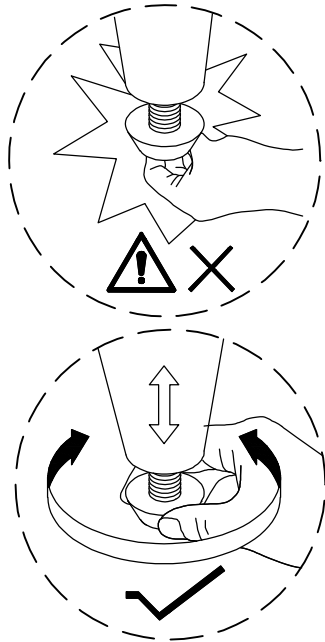


Step 5

Attach panel(G) to it.



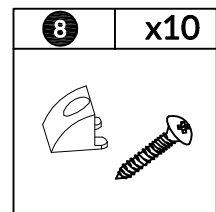
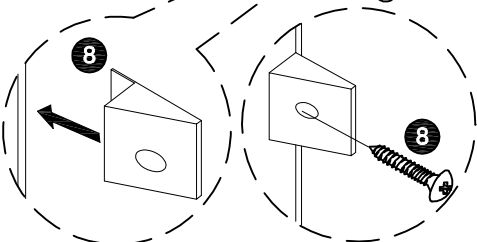
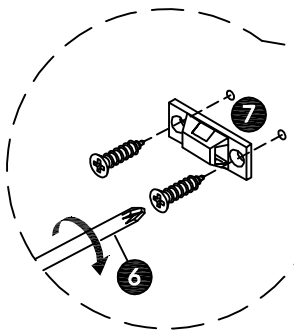
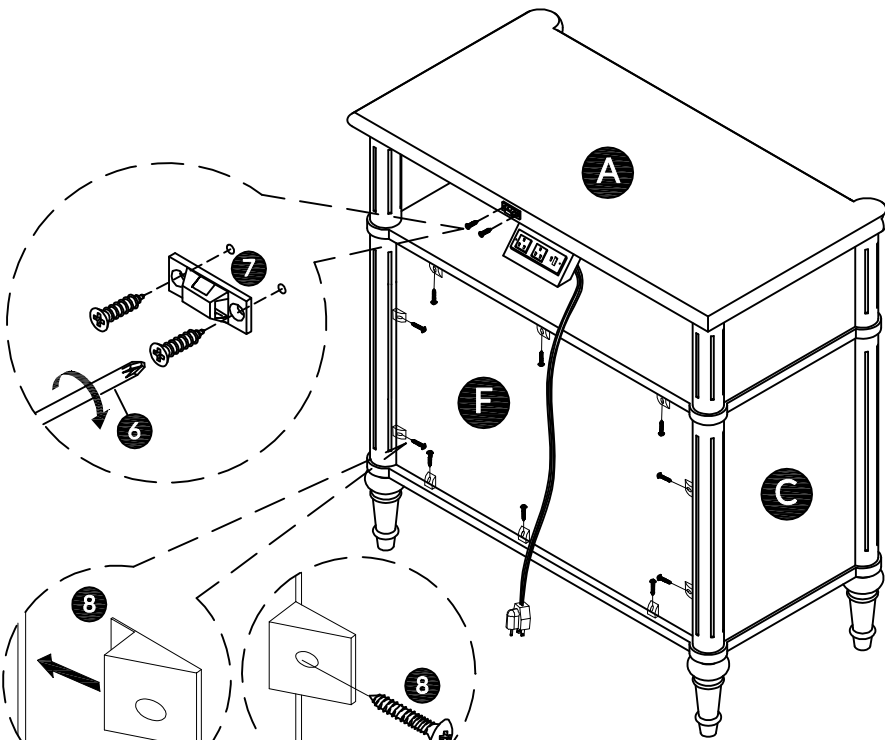
Step 6



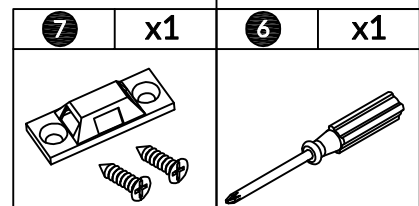
Attention:
Before the next step, adjust the feet of the locker to keep it level.

Step 7

Use screw to attach part 7 to back (A), tight screw with screwdriver 6.


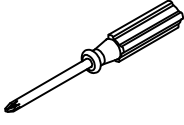


D3x14mm

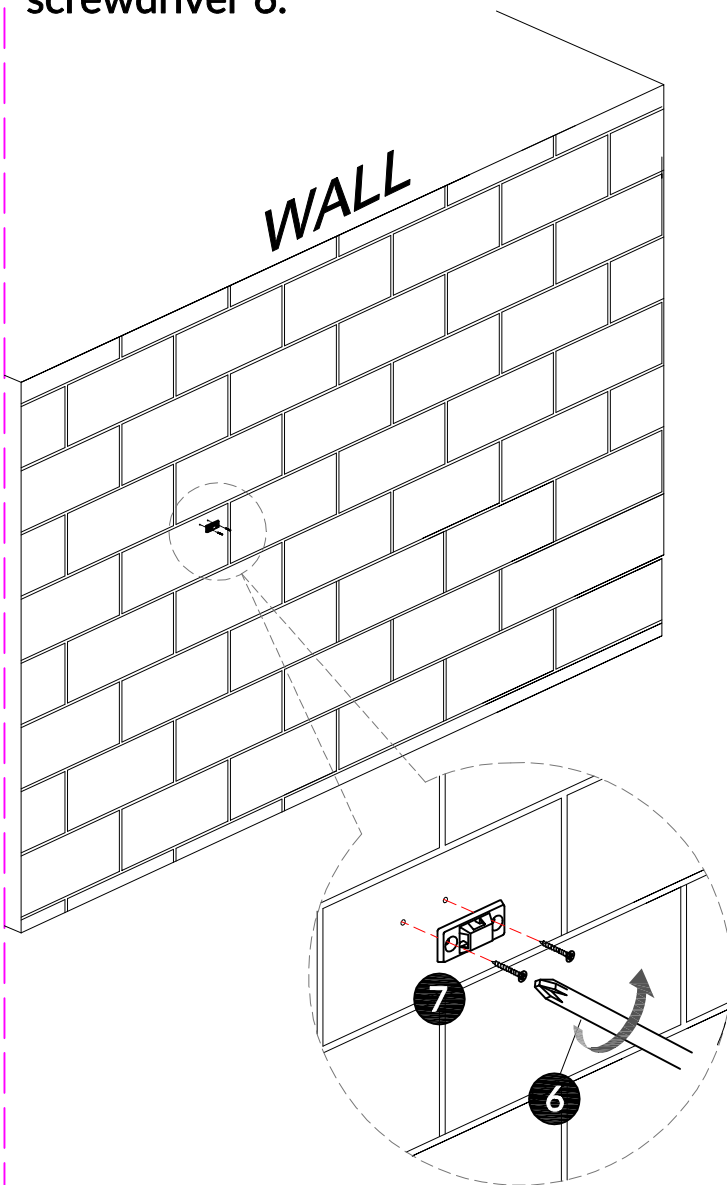


D3x16mm

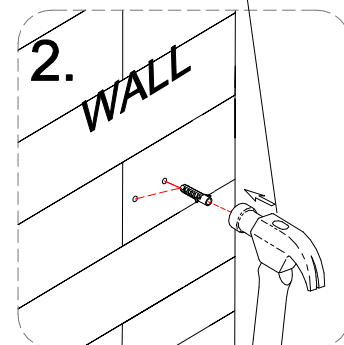
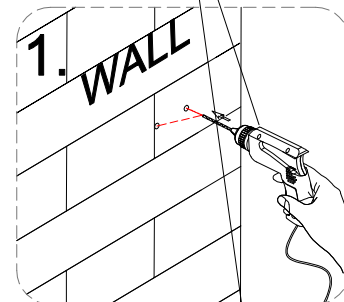
Step 8

7	x1	6	x1
			
D3.5x35mm			

1. Install the anti-collapse device.
2. Mark the position on the wall, that corresponds to the location of part 7 on the of panel (A); Drill and insert the expandable screw 6 by hammer.
3. Assemble the part 7 to the wall. Align the hole in the part 7 with the expandable screw , use screw to attach it and tighten by screwdriver 6.

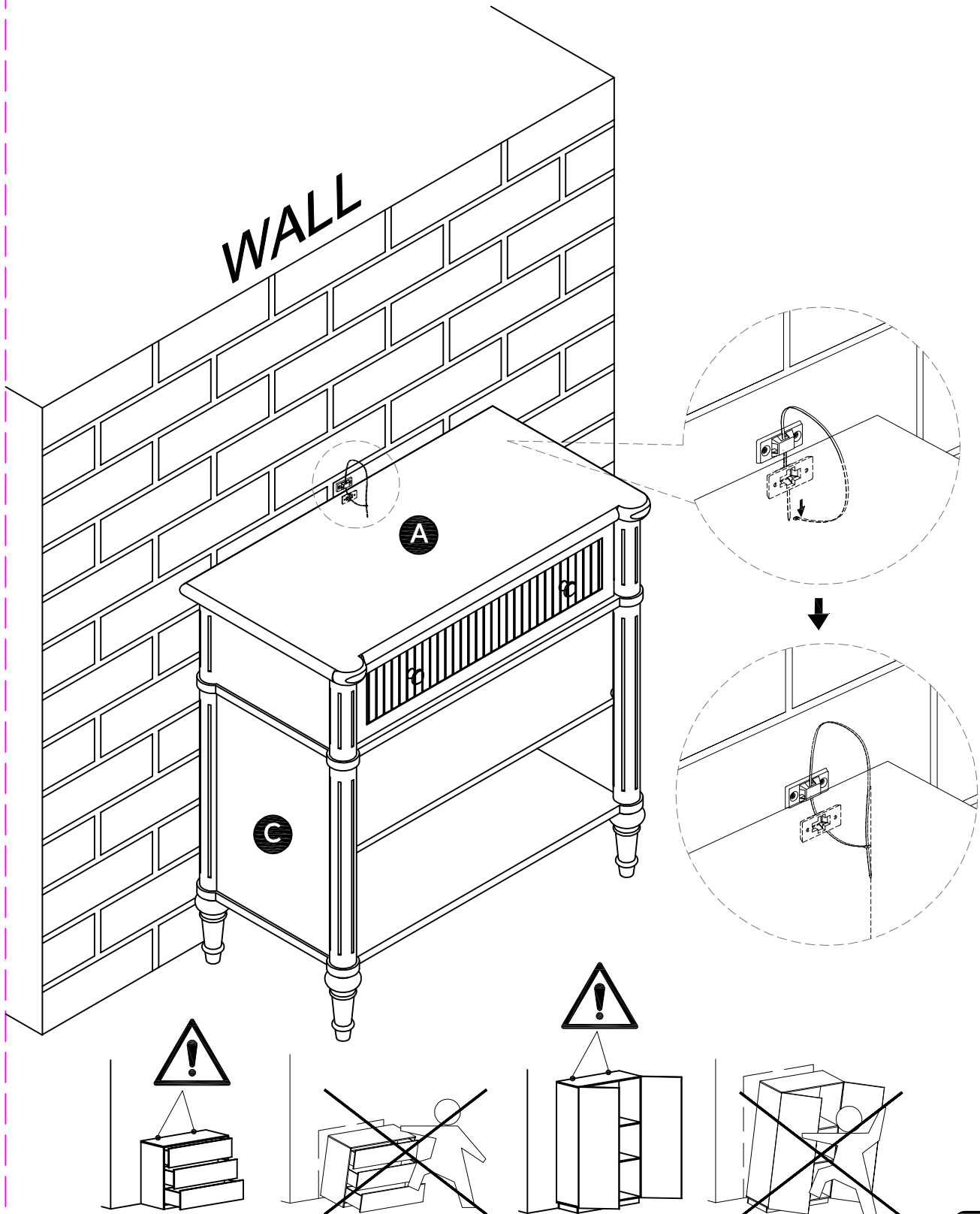


NOT PROVIDED



Step 9

Let the plastic belt 1 pass through the both part 7 and pull tightly.



WARRANTY

- We strive to offer quality products, and we also try our best to satisfy every customer who orders from us with products or services as needed.
- We provide 30 days warranty starting from the time you receive the item. Each customer must provide a record of their orders such as the order number, or item receipt for any items that are out of the warranty period you may also still receive.
- Replacement parts by purchasing them from our company if they are available.
- For return, please check the return policy with the retailer or market place you bought from