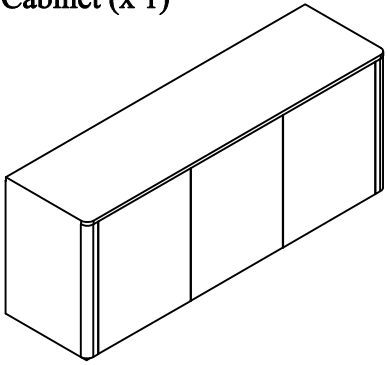
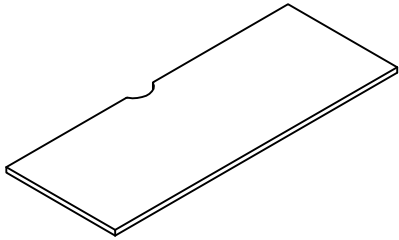


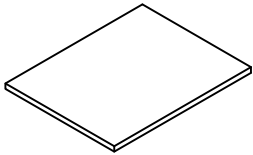
**P1** Cabinet (x 1)



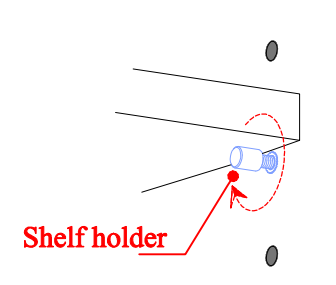
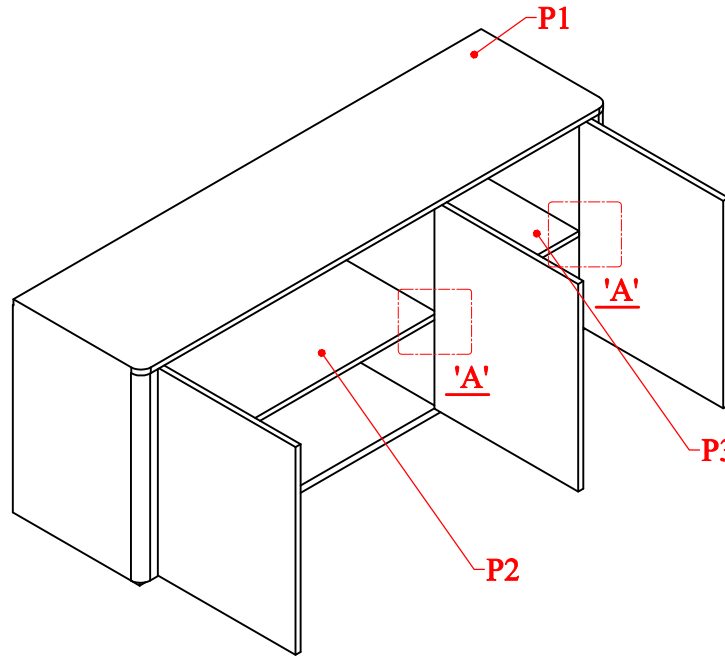
**P2** Shelf panel large (x 1)



**P3** Shelf panel small (x 1)

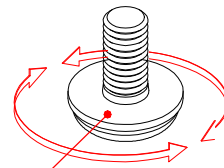


**P4** Brass shelf holder (x4)



Detail 'A'

Detail 'B'



Adjustable glider

