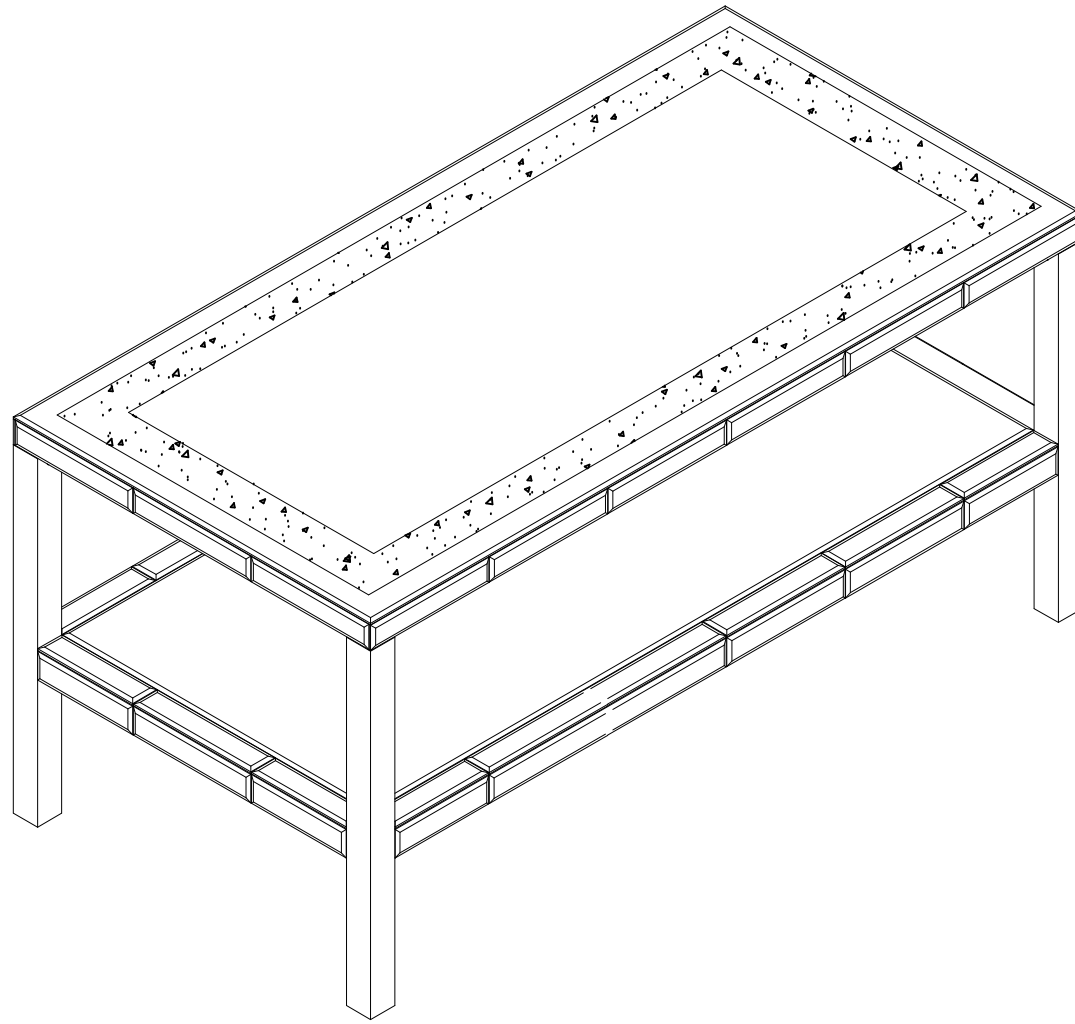
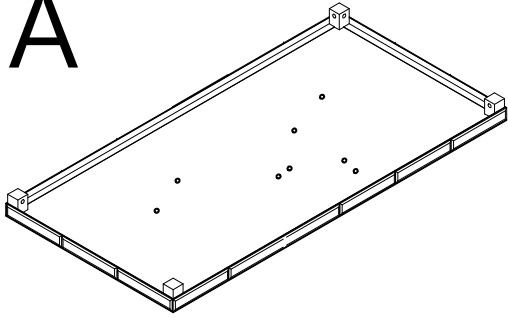


# Assembly instructions



A



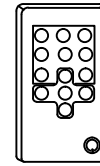
x 1

E



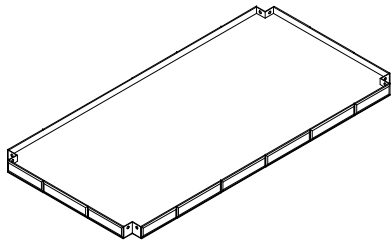
x16

I



x1

B



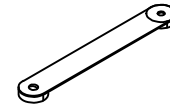
x 1

F



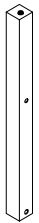
x16

J



x2

C



x 4

G



x16

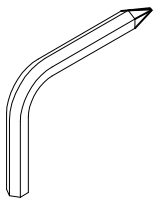
K



x8

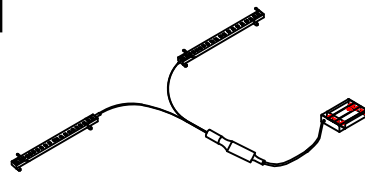
M3.5\*12

D



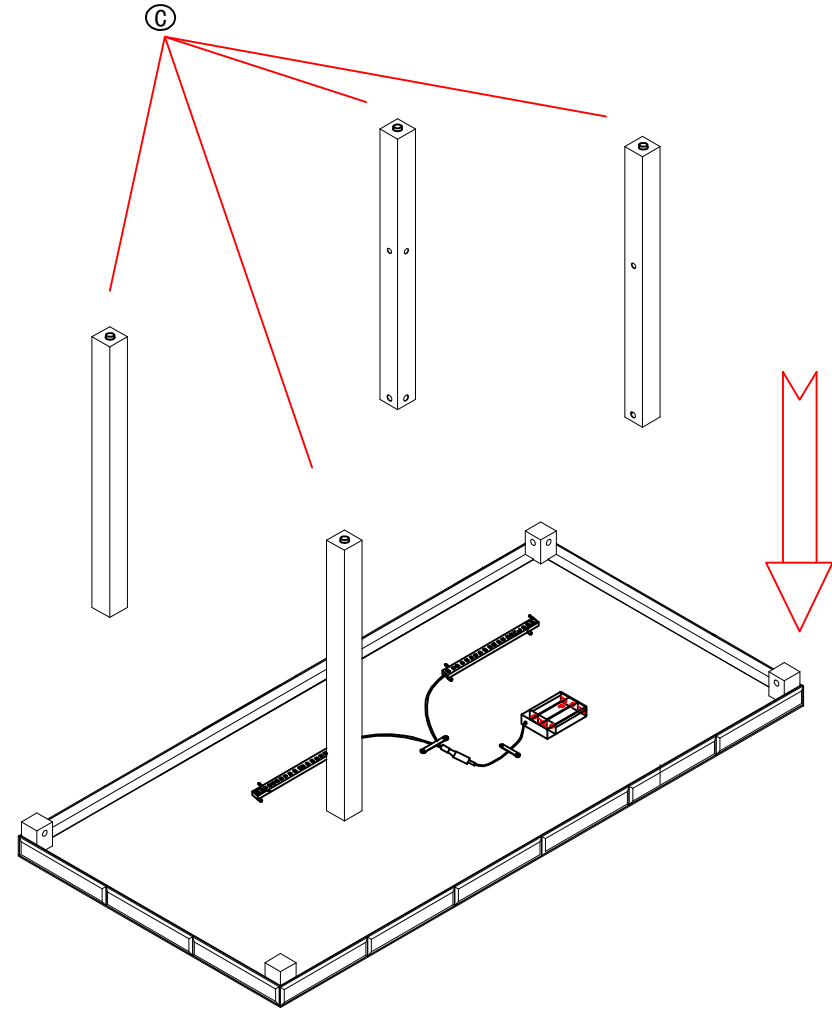
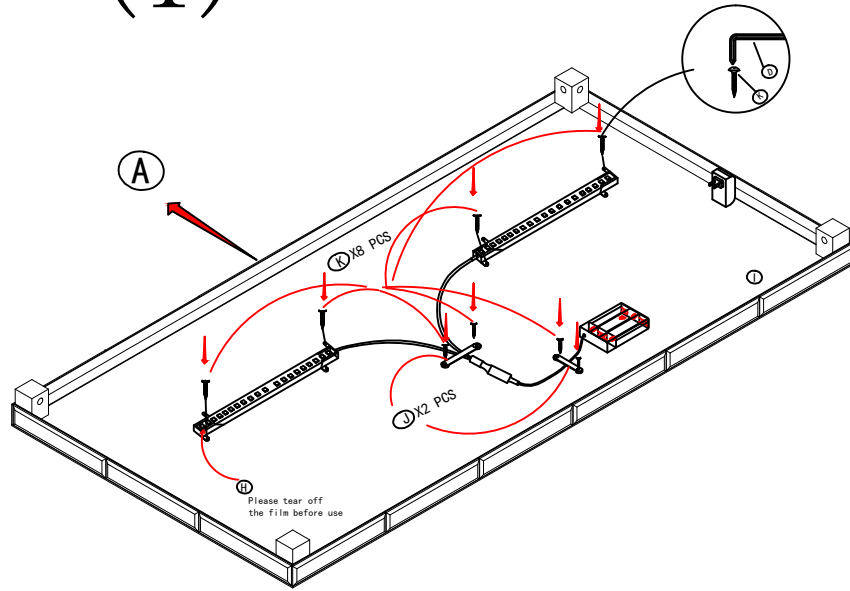
x 1

H



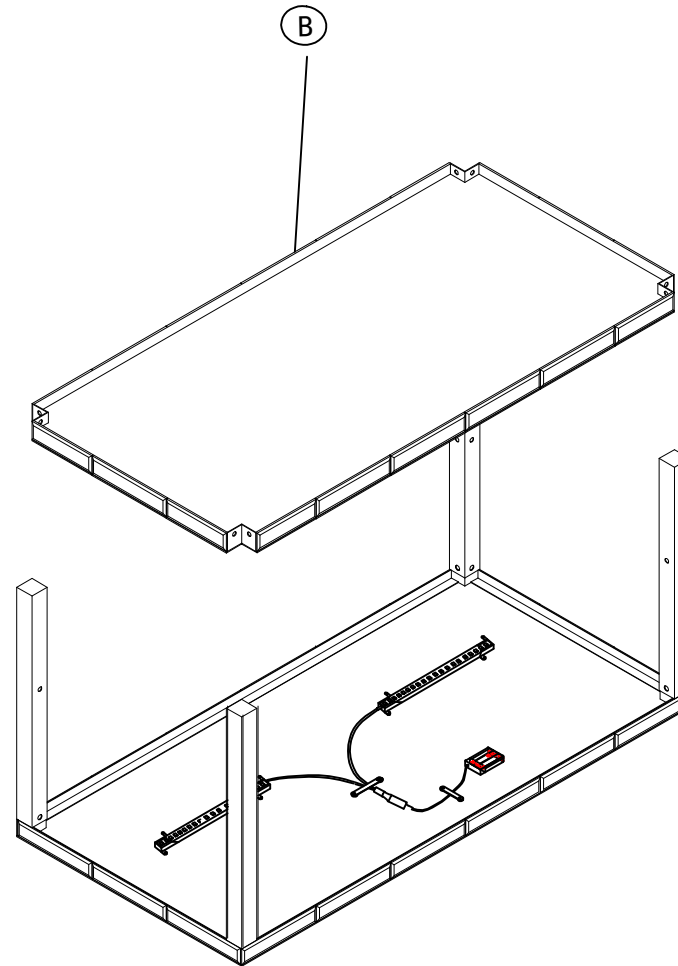
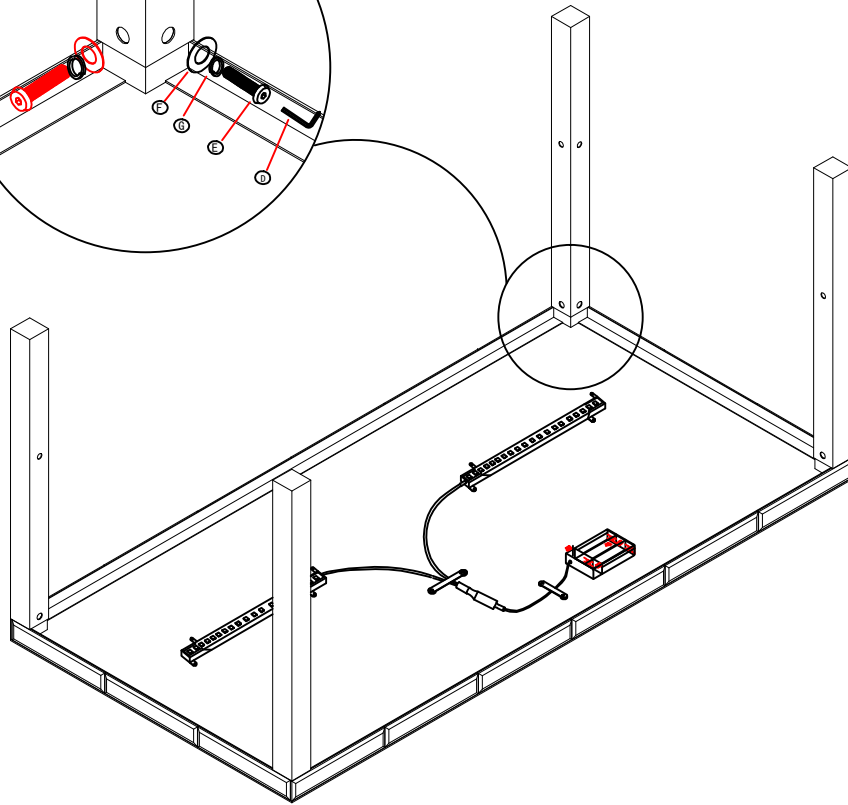
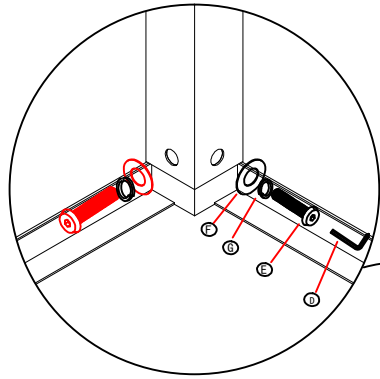
x1

(1)



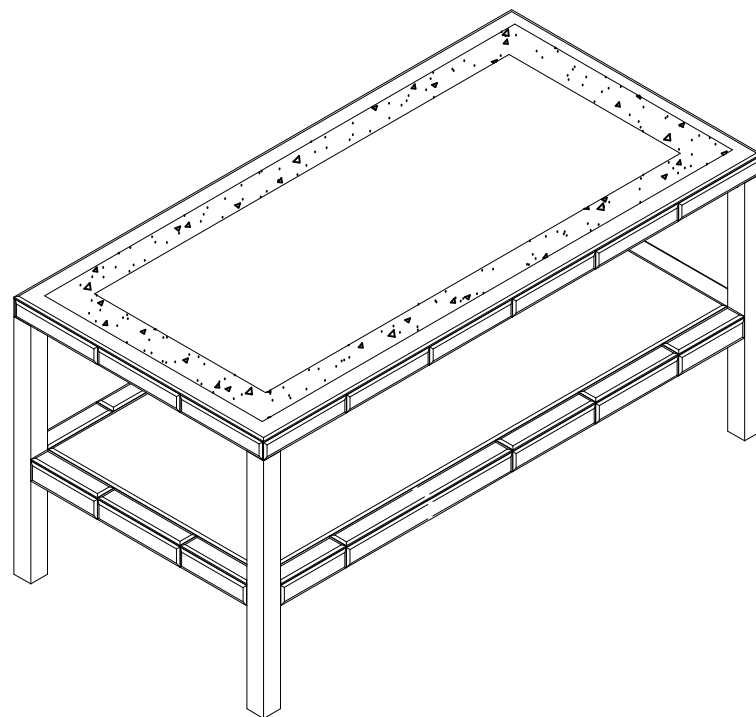
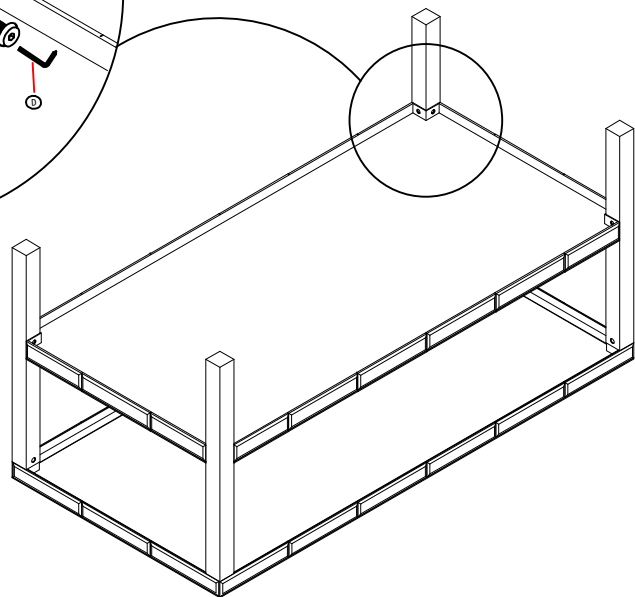
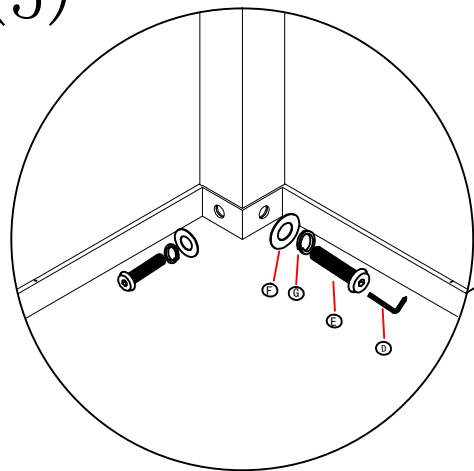
(2)

(3)



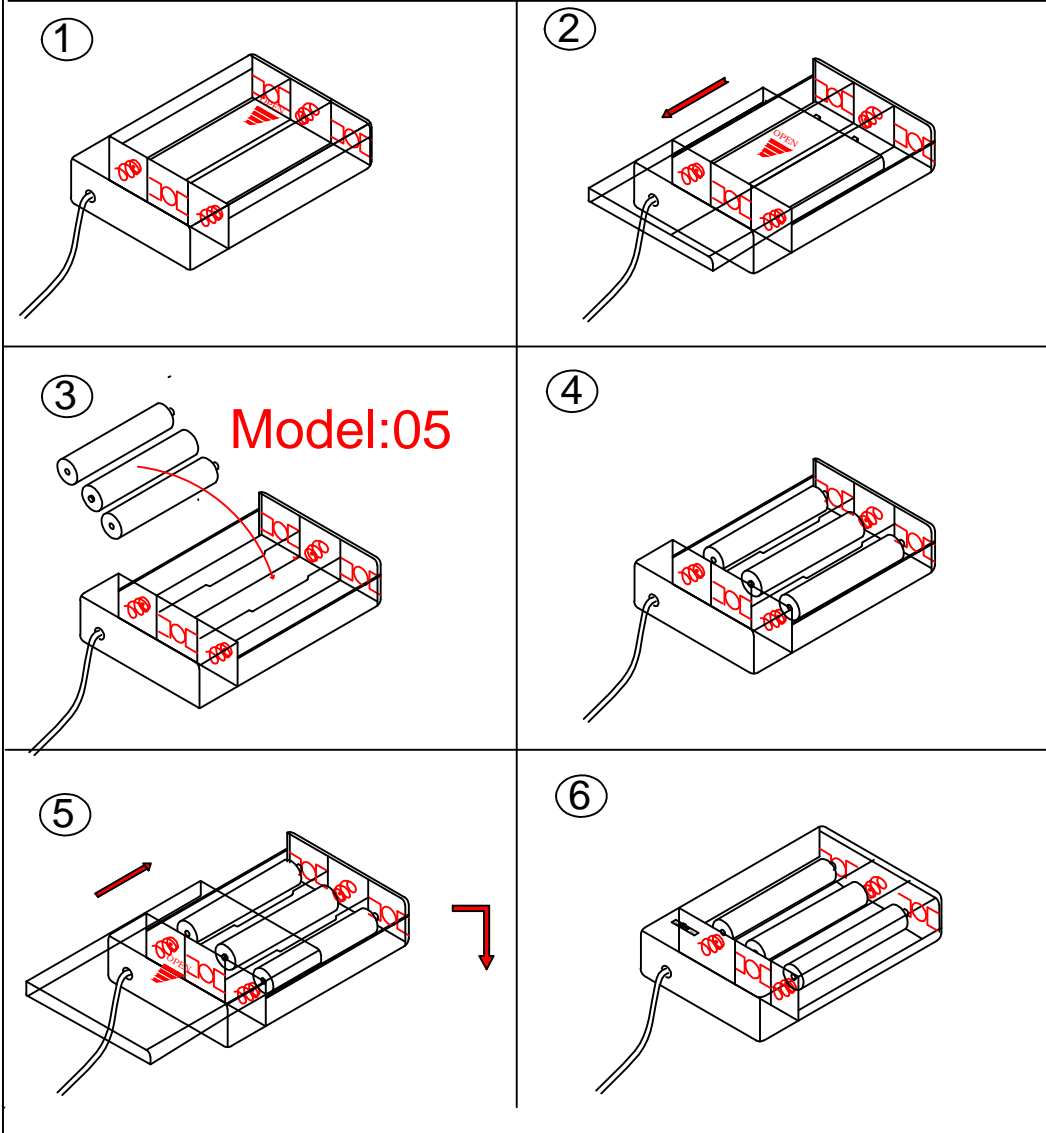
(4)

(5)



Note: The battery needs to be purchased and installed by oneself

### Model:05



Note: the battery in the remote control requires you the purchase and install in yourself

