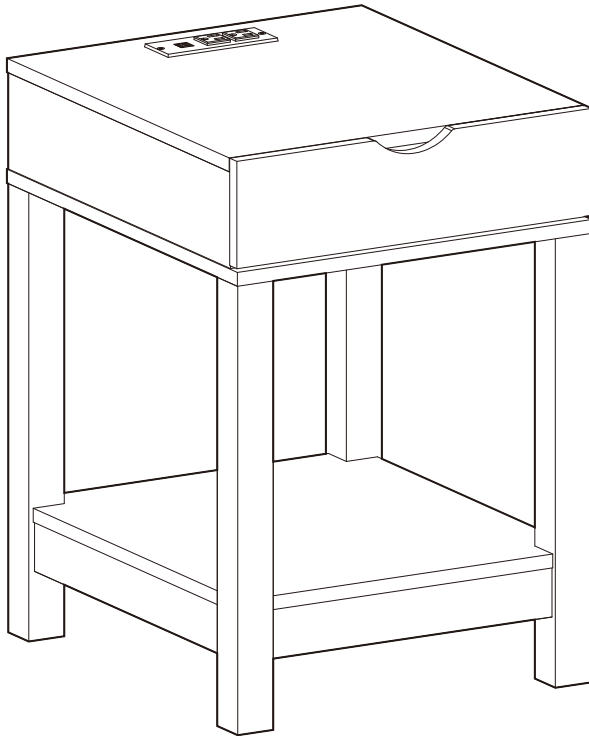


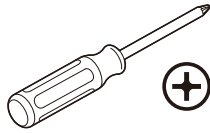
# INSTRUCTION MANUAL

---

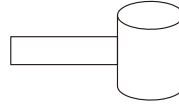


**End Table**

## Tools Needed (Not Included)

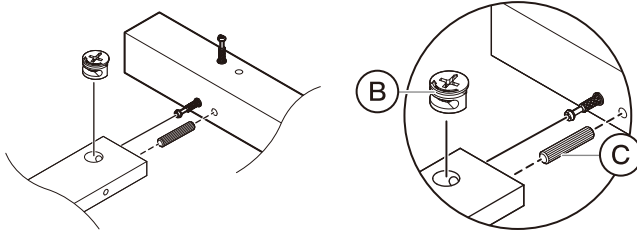


Phillips Screwdriver



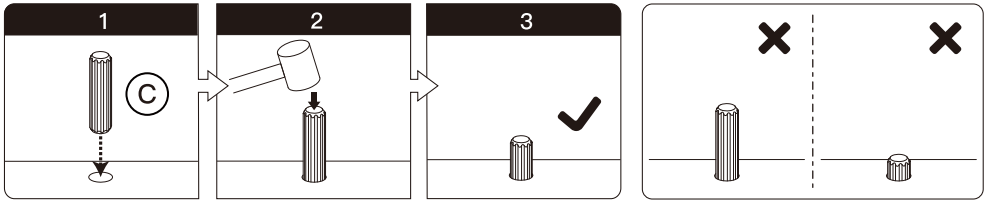
Rubber Mallet

## How the Assembly System Works



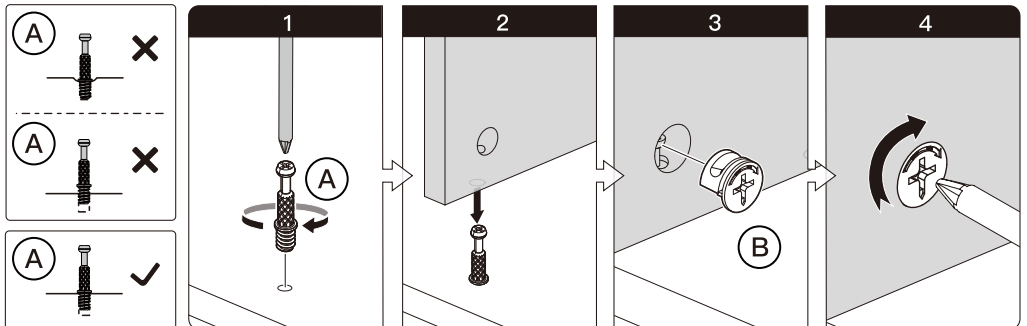
### How to Install Wood Dowels

Insert the wood dowel [C] at least halfway into the hole. IF NECESSARY, lightly tap the wood dowel with a self-supplied rubber mallet.



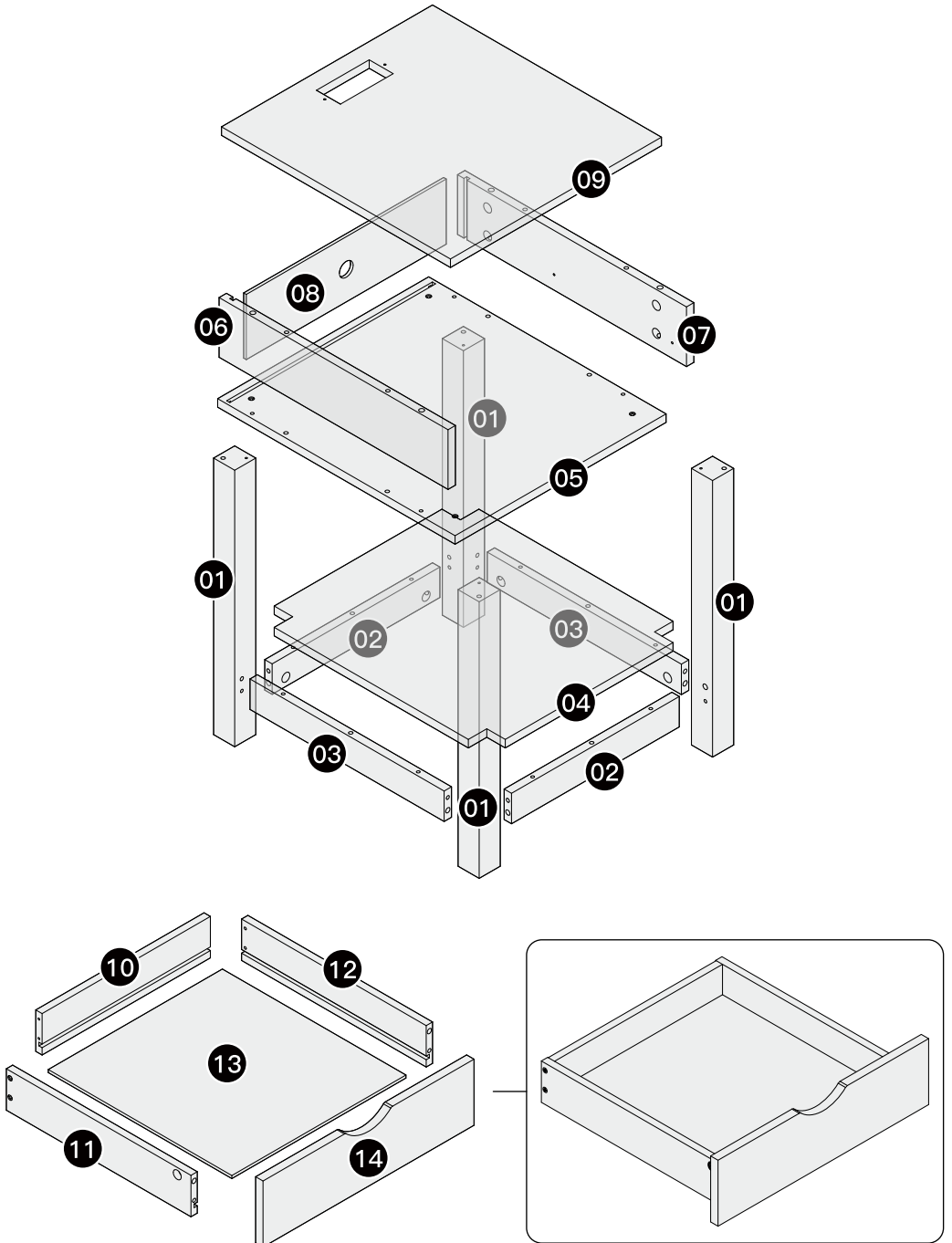
### Using the Cam Lock System

1. Screw cam bolt [A] into threaded hole on the panel.
2. Connect both panels together. Make sure cam bolt [A] goes into the pre-drilled hole on the end of the panel for cam lock [B].
3. Insert cam lock [B] into large hole on the panel. Make sure the open slot on cam lock [B] faces the head of cam bolt [A].
4. Turn cam lock [B] clockwise to tighten.



You are now ready to assemble the unit.

# Exploded Drawing



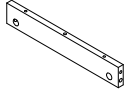
# Supplied Parts and Hardware

01 x 4



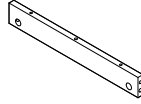
Leg

02 x 2



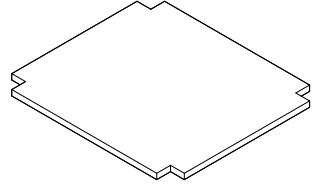
Bottom Side Rail

03 x 2



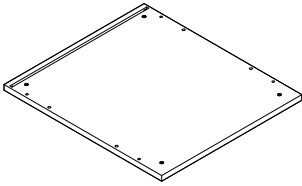
Bottom End Rail

04 x 1



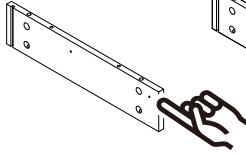
Base

05 x 1



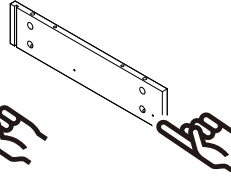
Shelf

06 x 1



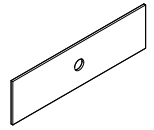
Left Side Panel

07 x 1



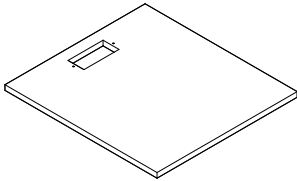
Right Side Panel

08 x 1



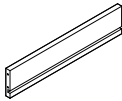
Back Panel

09 x 1



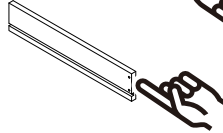
Top Panel

10 x 1



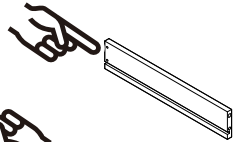
Drawer Back Panel

11 x 1



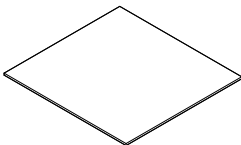
Drawer Side Panel (L)

12 x 1



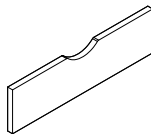
Drawer Side Panel (R)

13 x 1



Drawer Bottom Panel

14 x 1



Drawer Front Panel

# Supplied Parts and Hardware

(A) x 18



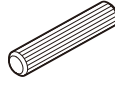
Ø6 x 35mm  
Cam Bolt

(B) x 18



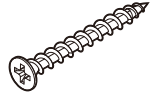
Ø15 x 9.5mm  
Cam Lock

(C) x 26



Ø6 x 30mm  
Wood Dowel

(D) x 16



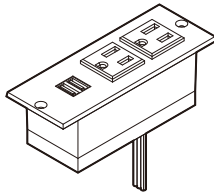
Ø4 x 40mm  
Screw

(E) x 10



Ø3.5 x 12mm  
Screw

(F) x 1



Power Outlet

(G1) x 1

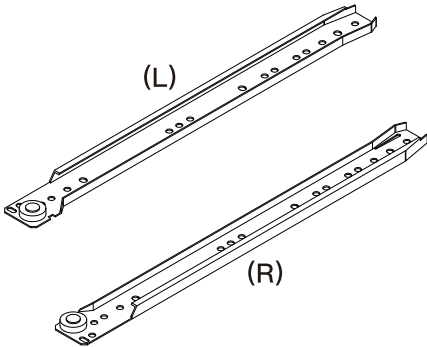
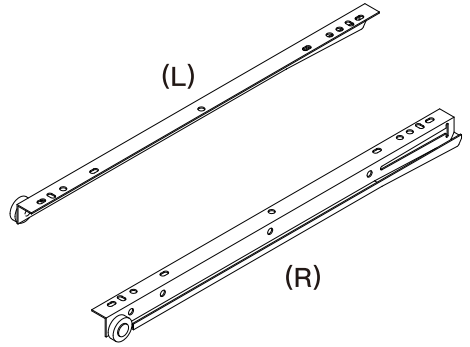


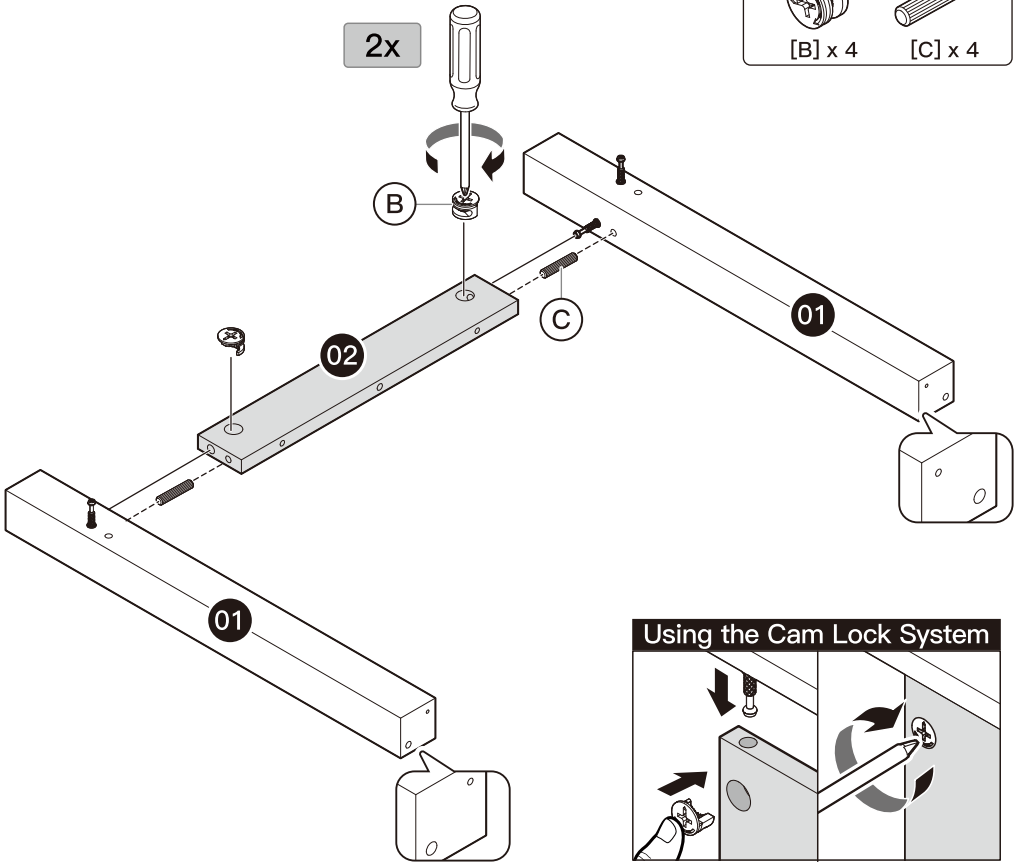
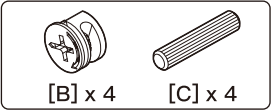
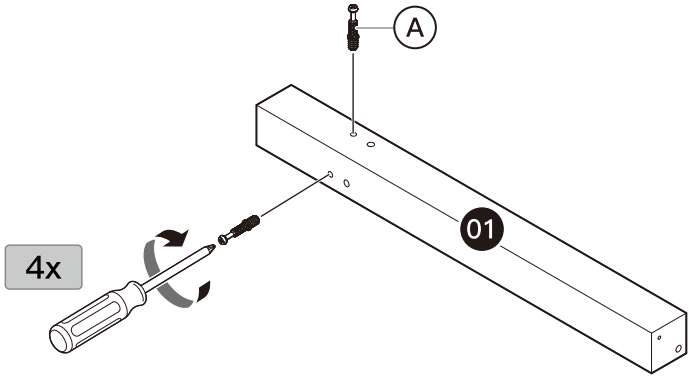
Table Slides

(G2) x 1

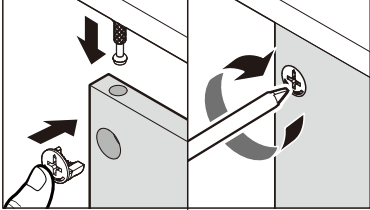


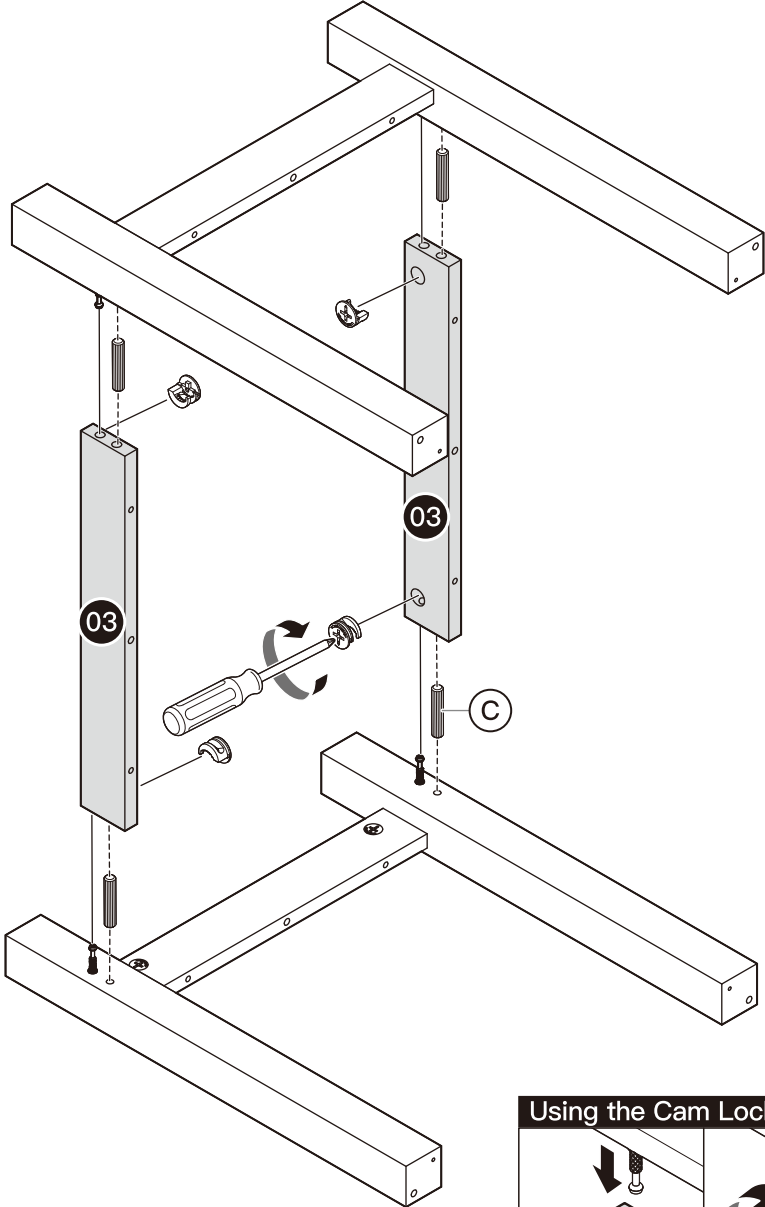
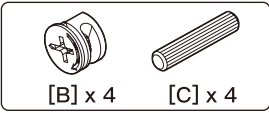
Drawer Slides

1

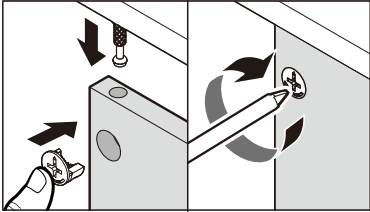


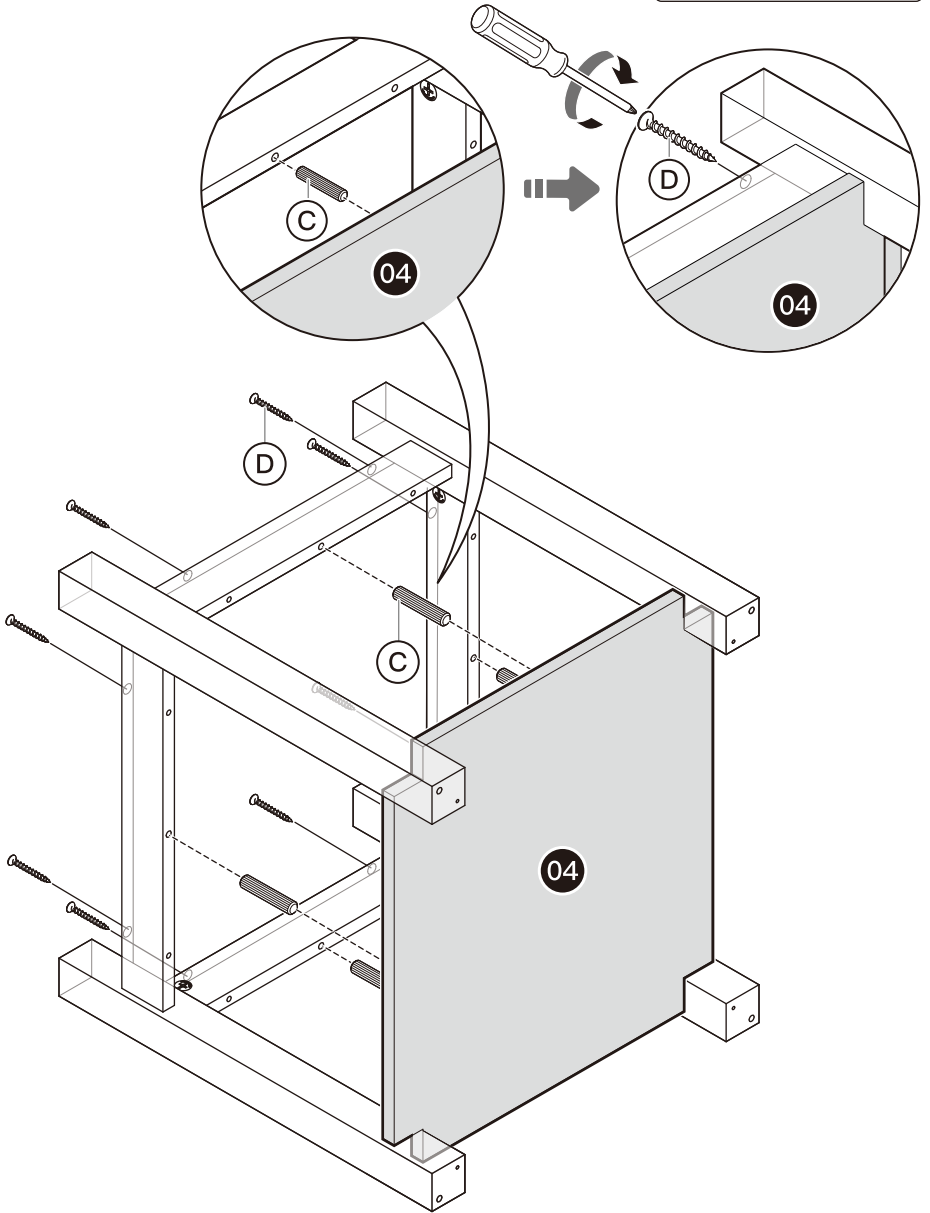
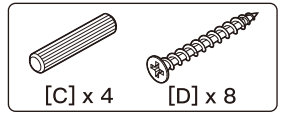
Using the Cam Lock System



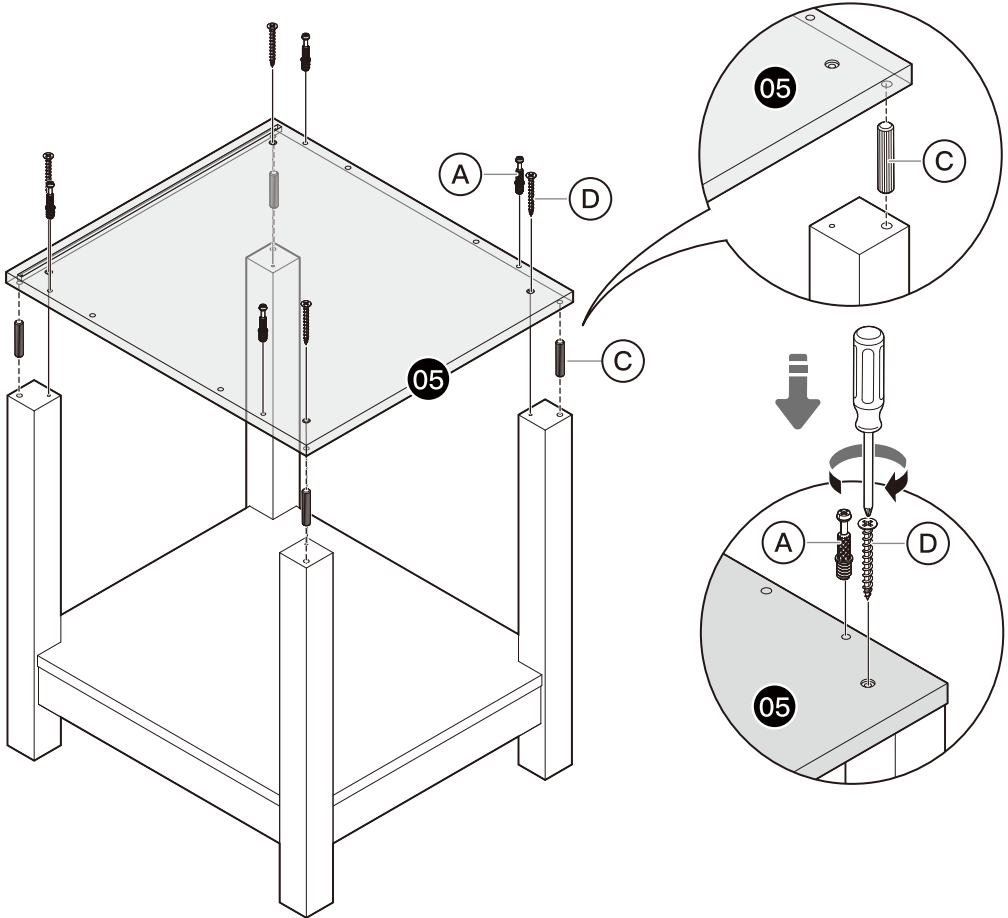
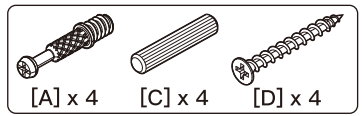
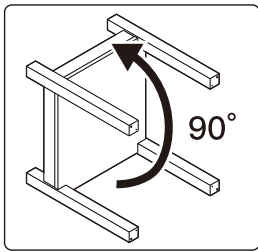


**Using the Cam Lock System**

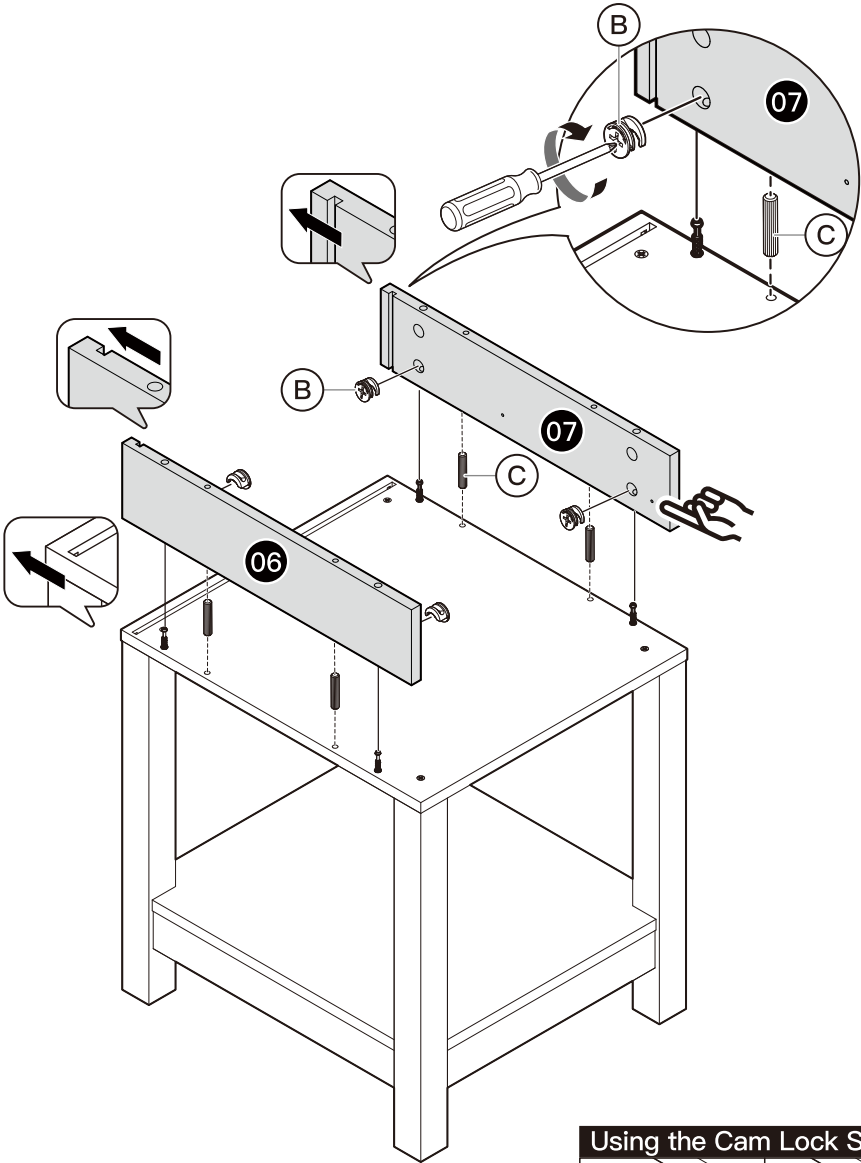
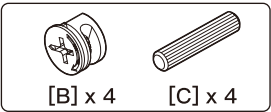




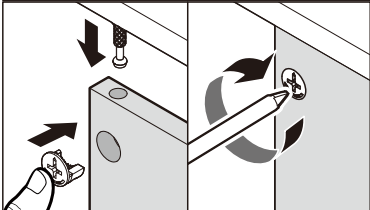
2



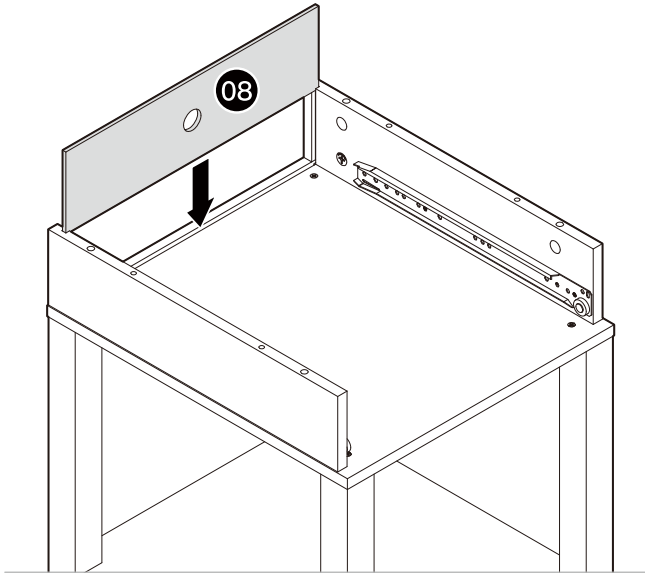
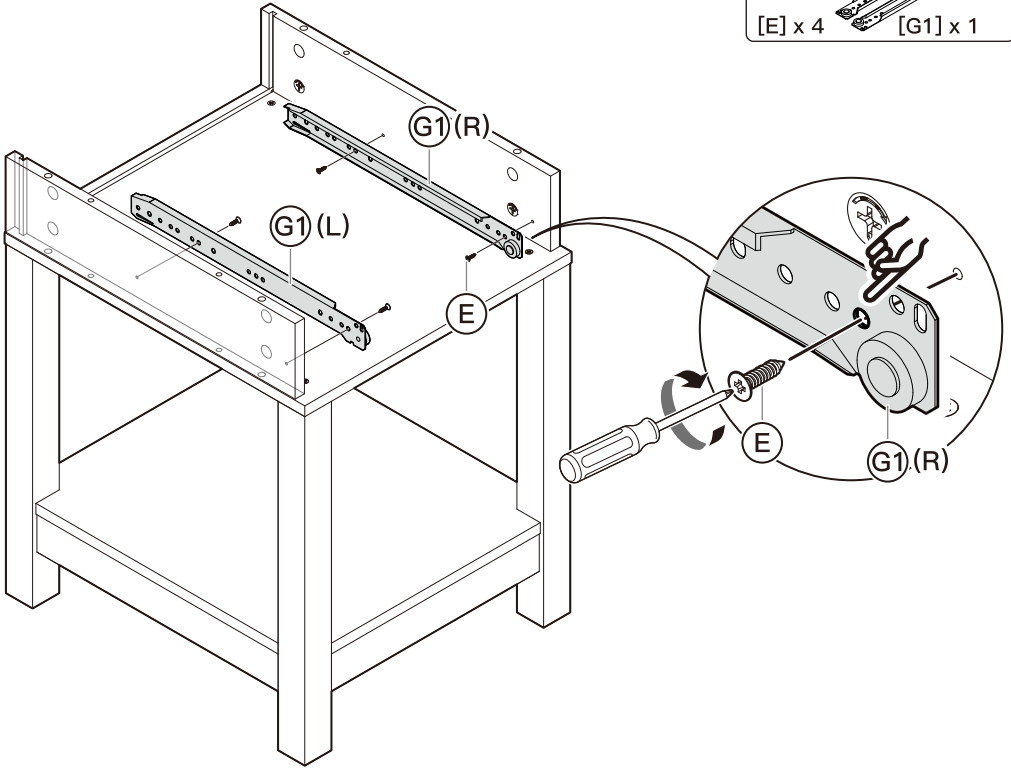
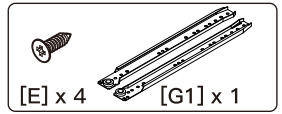
3

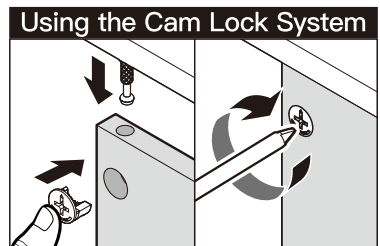
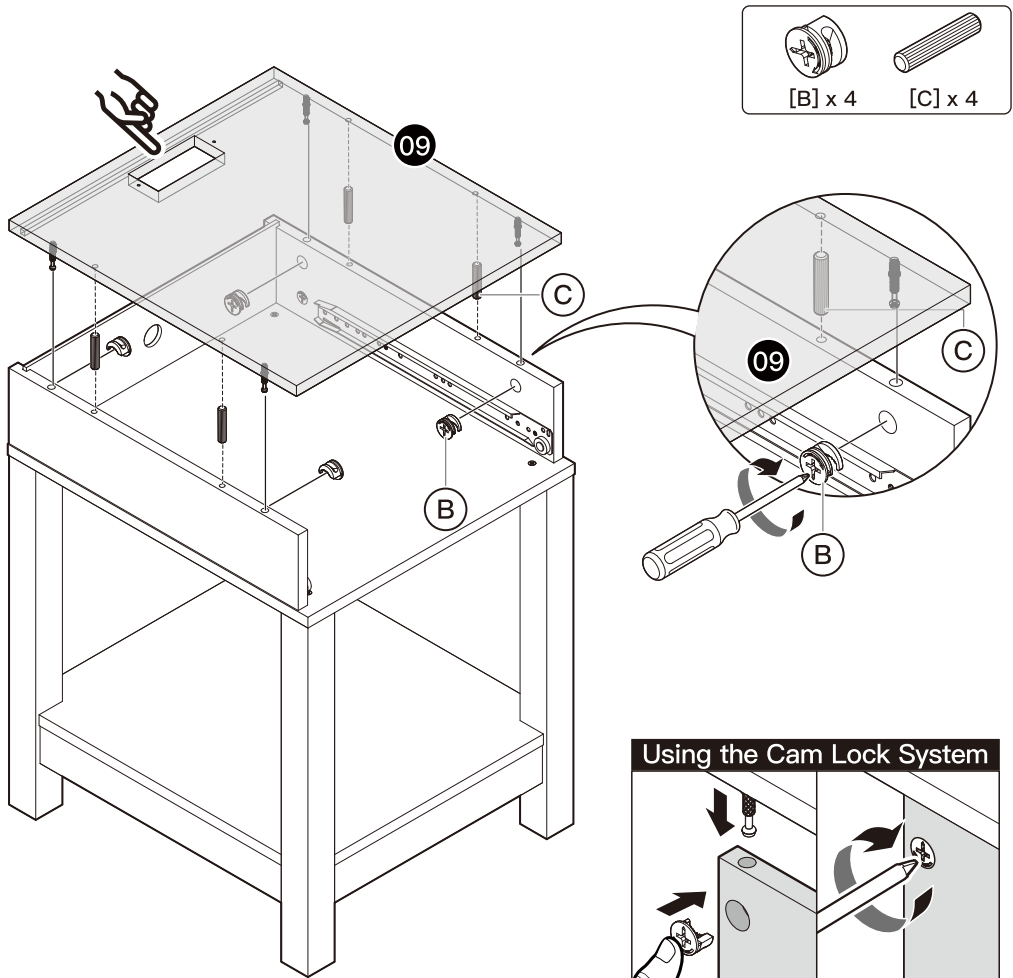
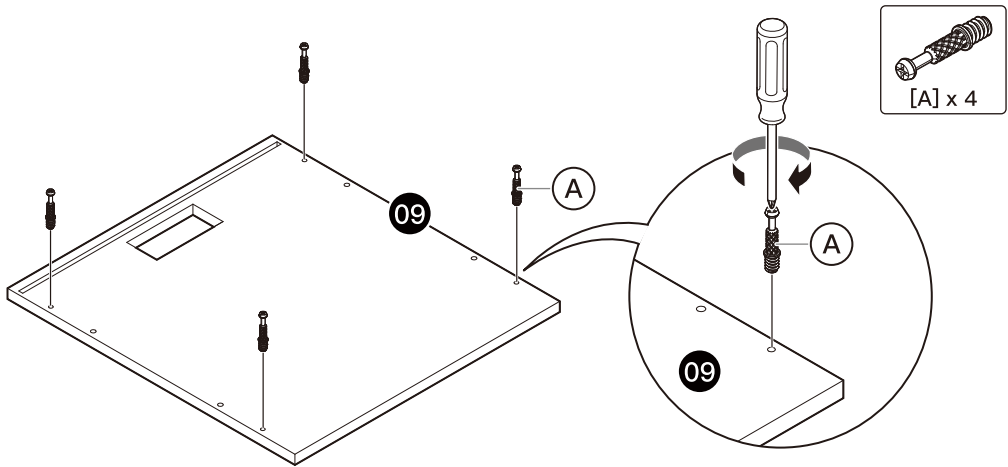


**Using the Cam Lock System**

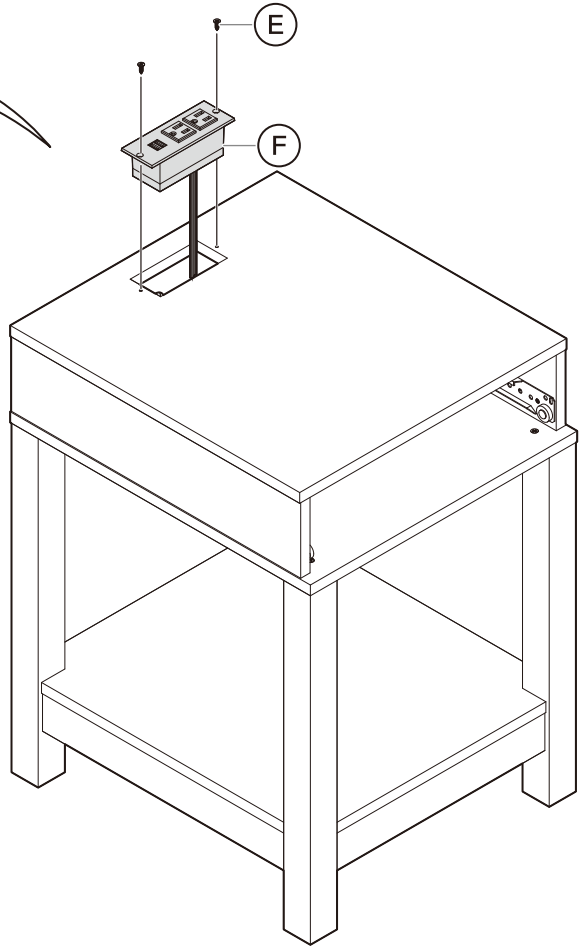
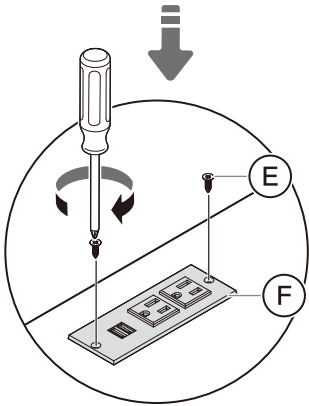
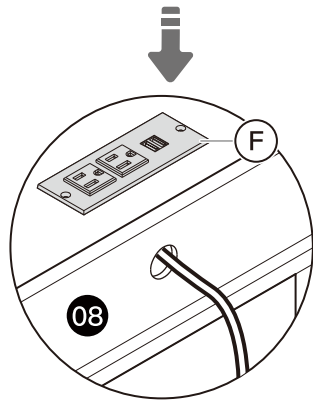
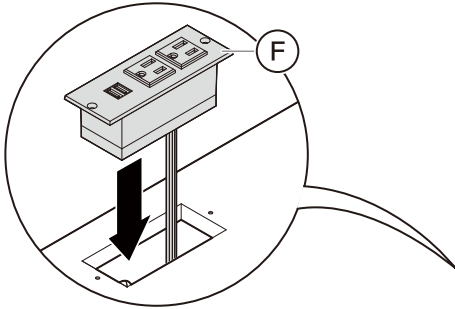
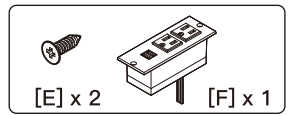


Note: Fully tighten screws to avoid loose drawer and ensure smooth movement.





# 4



5

