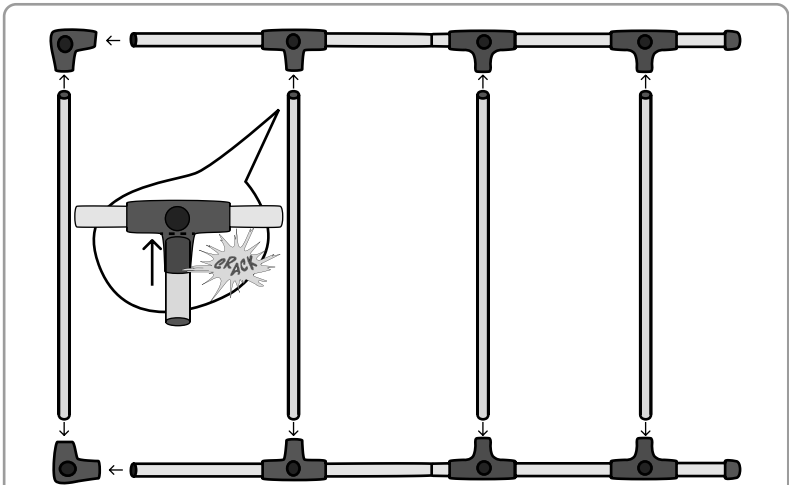
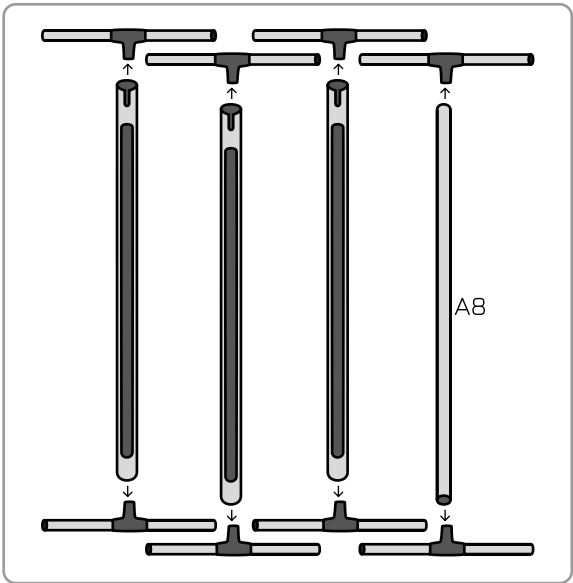
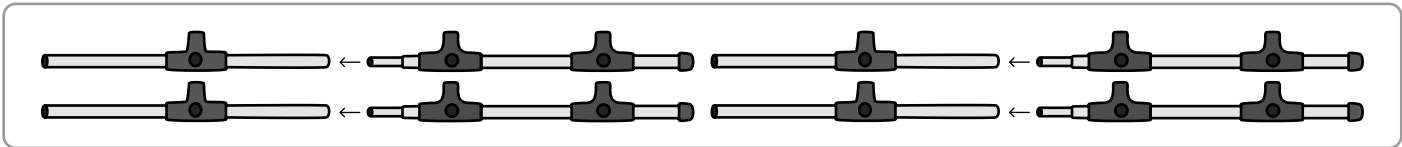
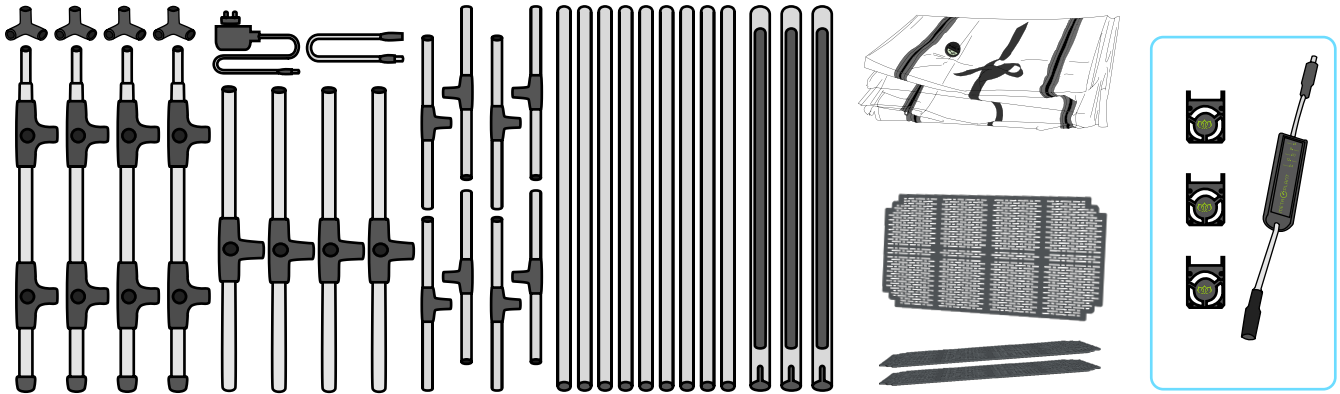


Instructions for a mini-greenhouse  
Sezam XL PLASTIC SHELF

\*Accessories  
may vary  
from model to  
model



Apply sufficient force when inserting the tube into the connecting fittings.

