

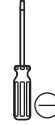
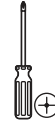
## ASSEMBLY INSTRUCTIONS



### CAUTION

- Inspect the wire insulation for any cuts, abrasions or exposed copper that may have resulted during shipping. If there is a defect in the wire, do not attempt installation.
- Before starting installation of this fixture or removal of a previous fixture, disconnect the power by turning off the circuit breaker or by removing the fuse at the fuse box.

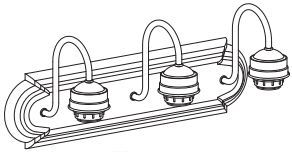
### TOOLS REQUIRED



If you need further assistance, please contact us by Email: [customersupport@superiordecorinc.com](mailto:customersupport@superiordecorinc.com)

\* PARTS SHOWN MAY DIFFER SLIGHTLY PER LIGHT FIXTURE

### HARDWARE INCLUDED



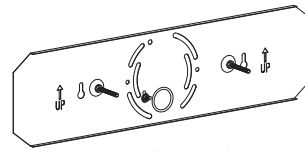
Fixture



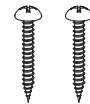
Glass shade



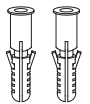
Ball Nuts



Mounting Unit



Wood Screws



Wall Anchors

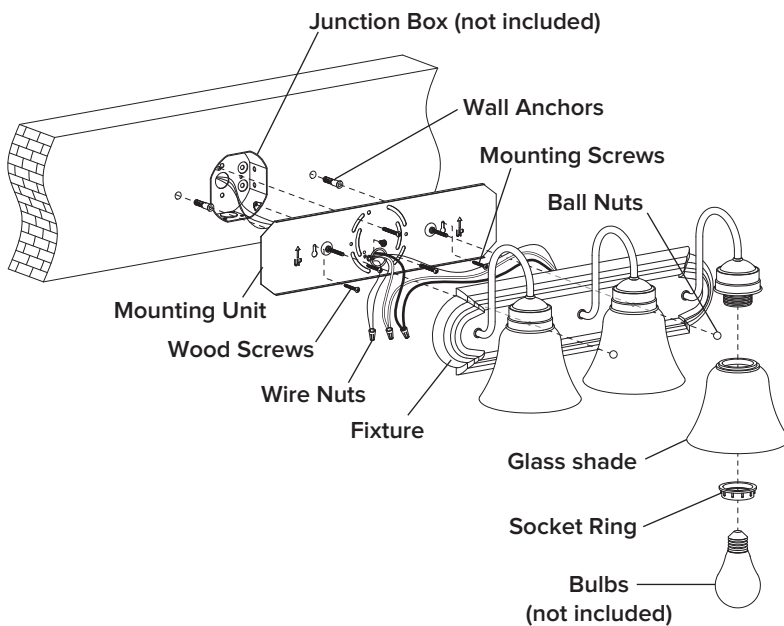


Mounting Screws



Wire Nuts

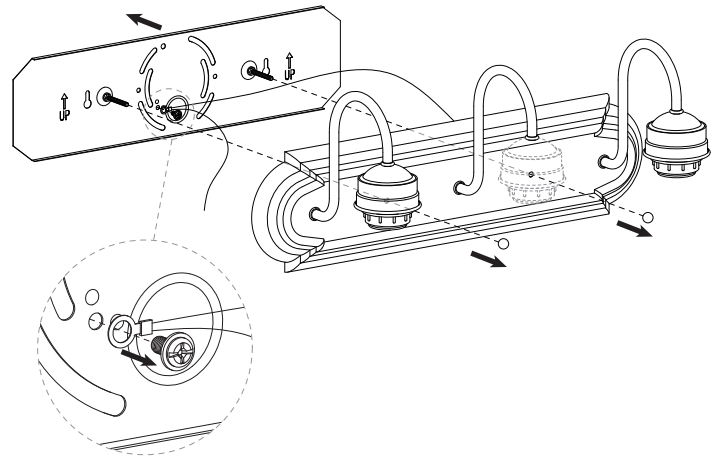
### EXPLODED PARTS



### INSTALLATION

#### STEP 1

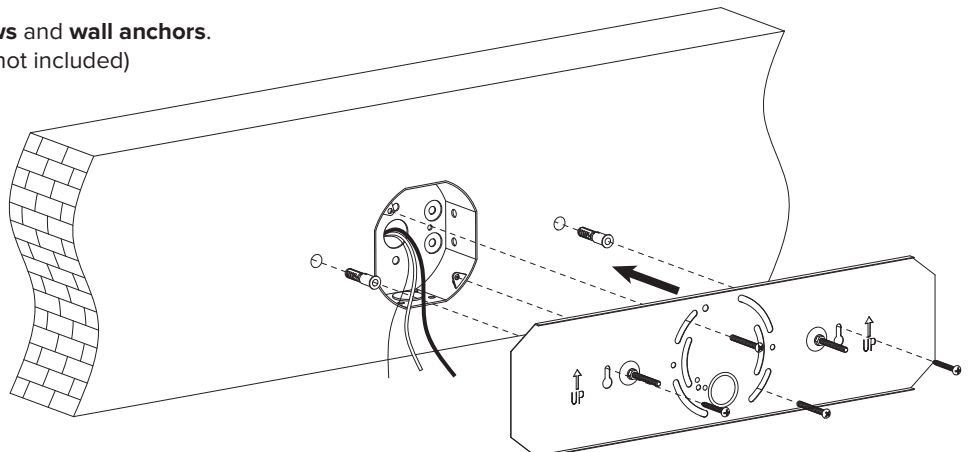
Unscrew the **ball nuts** and **green grounding screw** from the **mounting unit**.



#### STEP 2

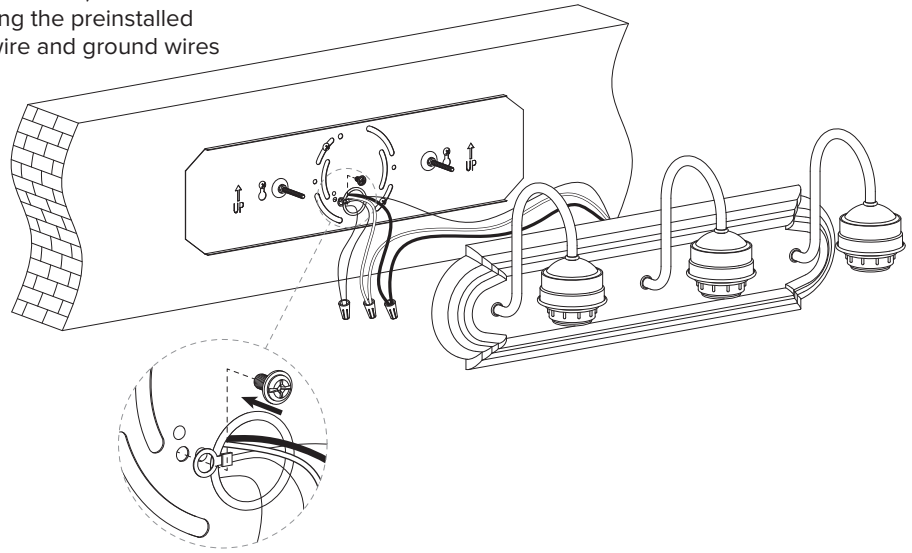
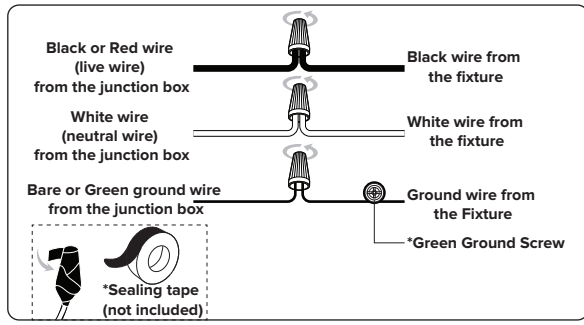
Secure **mounting unit** to wall with **wood screws** and **wall anchors**.

Attach the **mounting unit** to the junction box (not included) using the **mounting screws**.



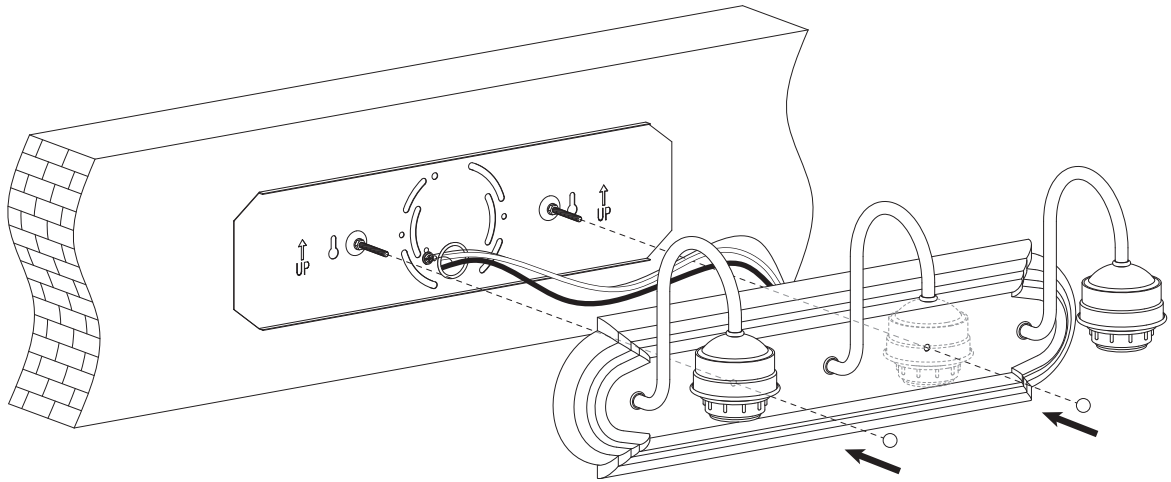
### STEP 3

Make the electrical connection from the junction box (not included) to the **fixture**. Connect the ground wire to the **mounting unit** using the preinstalled green ground screw. Next, connect the live wire, neutral wire and ground wires with the supplied **wire nuts**. Secure with electrical tape.



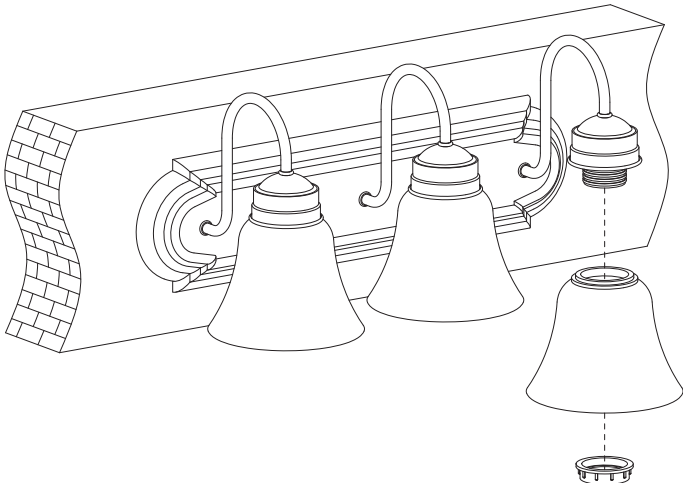
### STEP 4

Secure the **fixture** to the **mounting unit** with the **ball nuts**.



### STEP 5

Remove the **socket rings** from the socket.  
Attach the **glass shade** onto **fixture** using **socket rings**.



### STEP 6

Install bulbs (not included)

