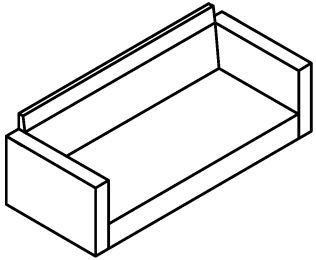
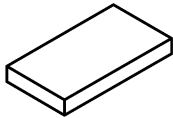
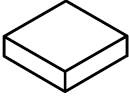
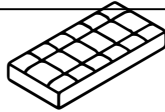
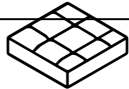


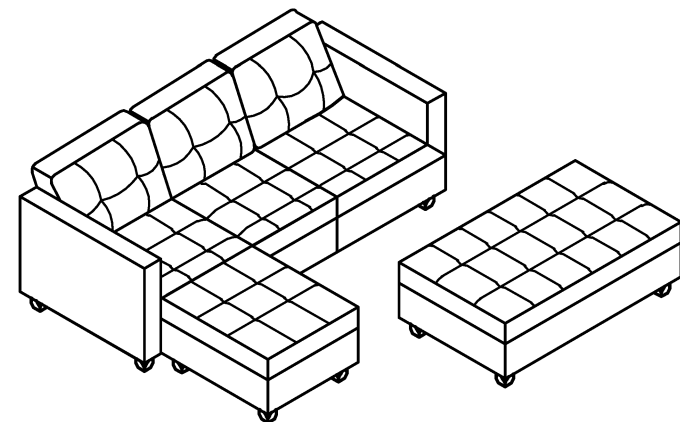
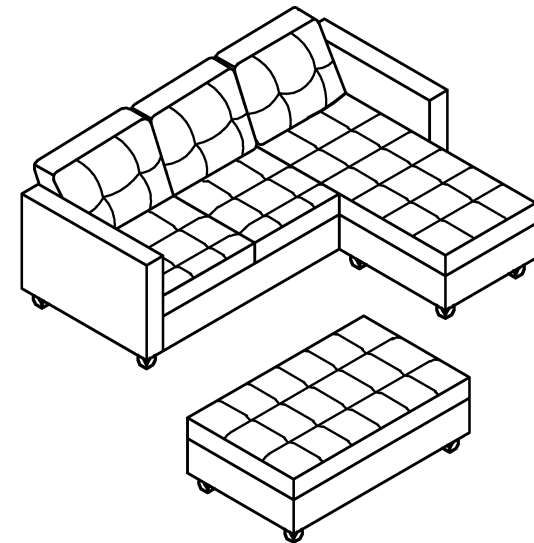


ASSEMBLY GUIDELINES

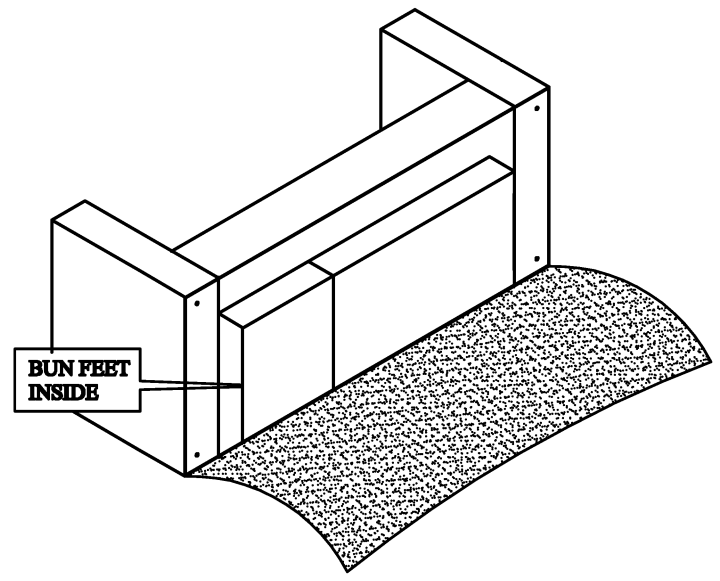
Notice

Large mattress, square package, mattress square, and bun feet are stored under sofa and both ottomans.

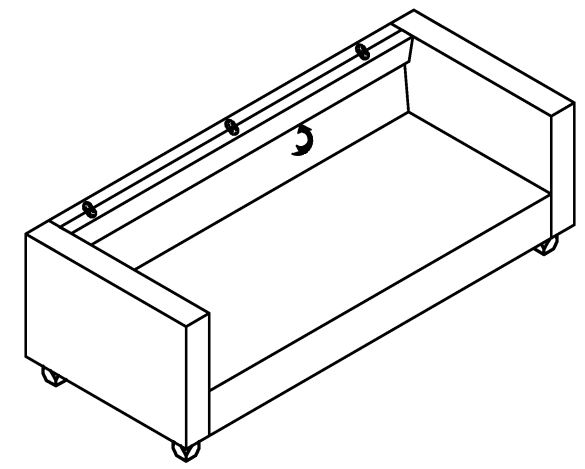
A	SOFA *1PC	
B	OTTOMAN *1PC	
C	OTTOMAN.(SMALL) *1PC	
D	LARGE MATTRESS * 2PCS	
E	MATTRESS SQUARE *2PCS	
F	SQUARE PACKAGE * 3 PCS	
G	BUN FEET *12 PCS	



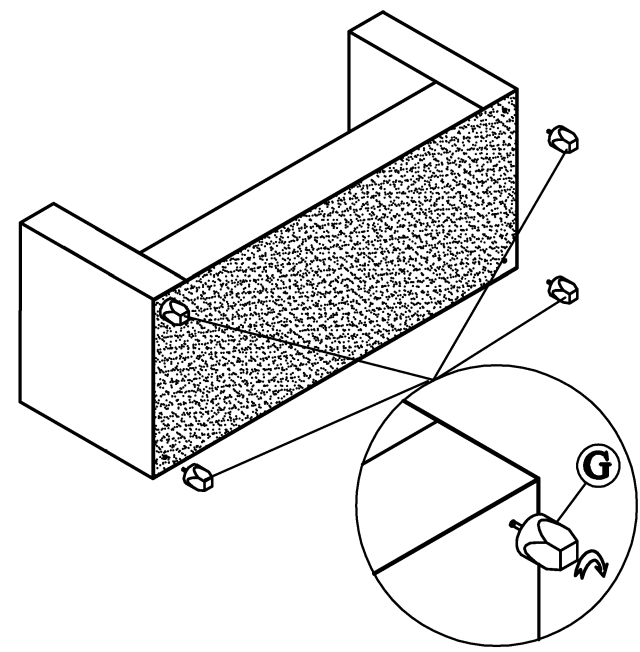
STEP 1



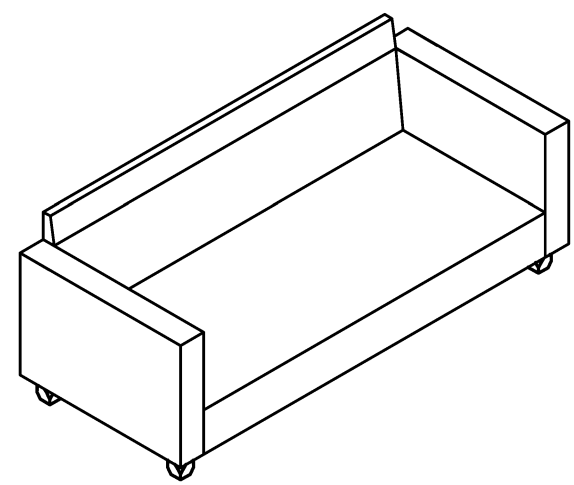
STEP 3



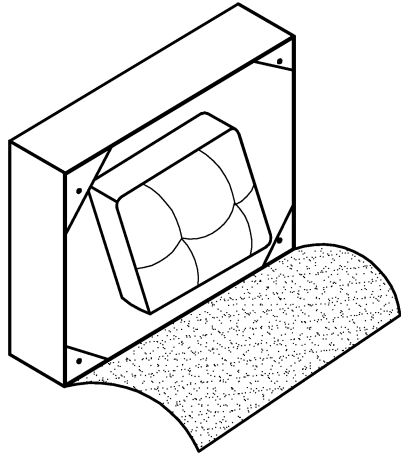
STEP 2



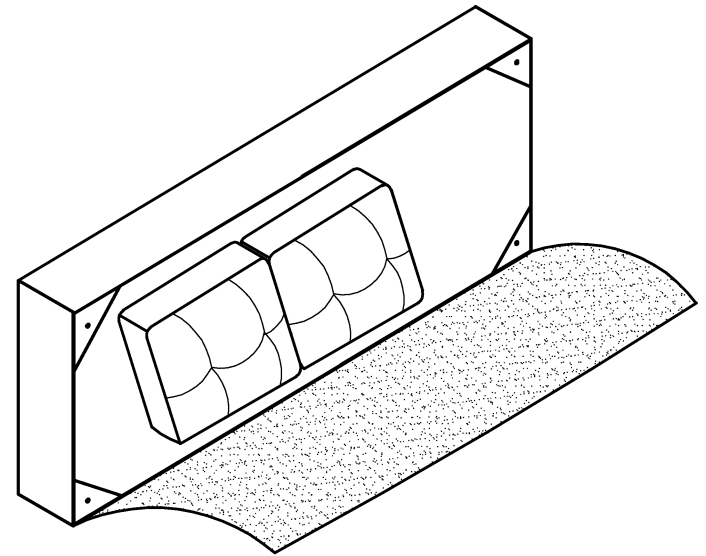
STEP 4



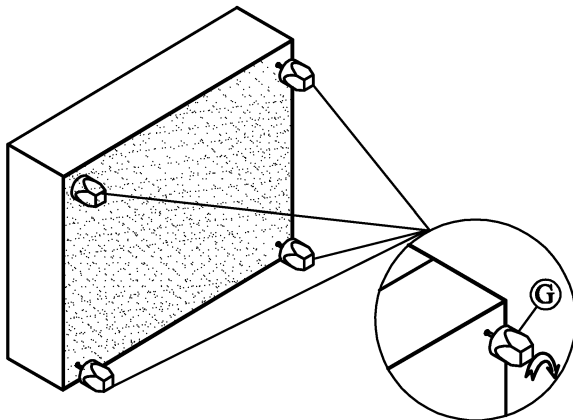
STEP 5



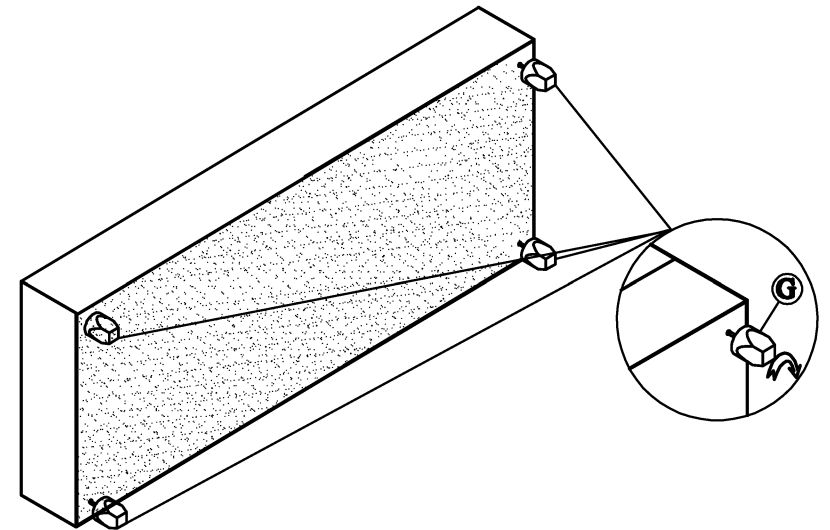
STEP 7



STEP 6



STEP 8



STEP 9

