

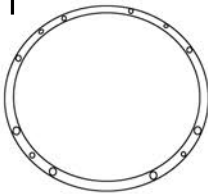


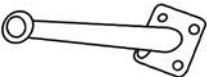




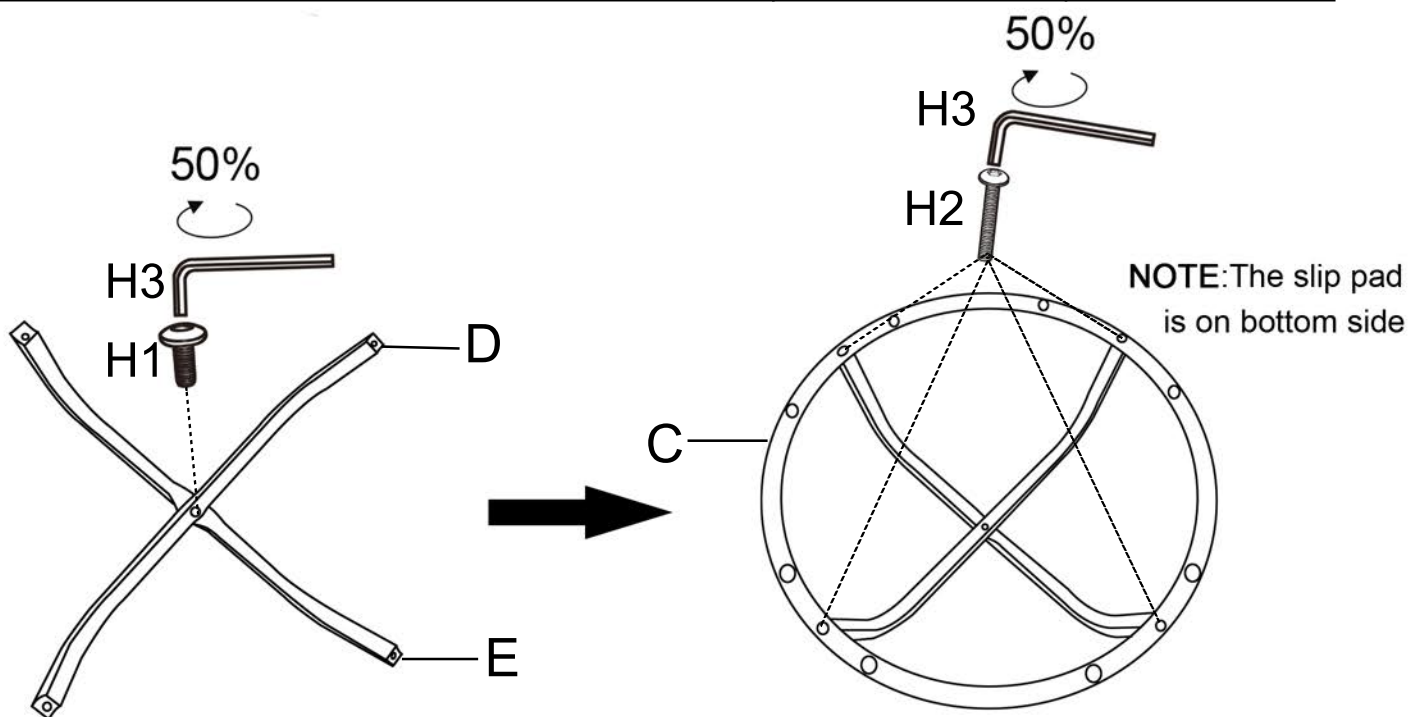


ASSEMBLY INSTRUCTION

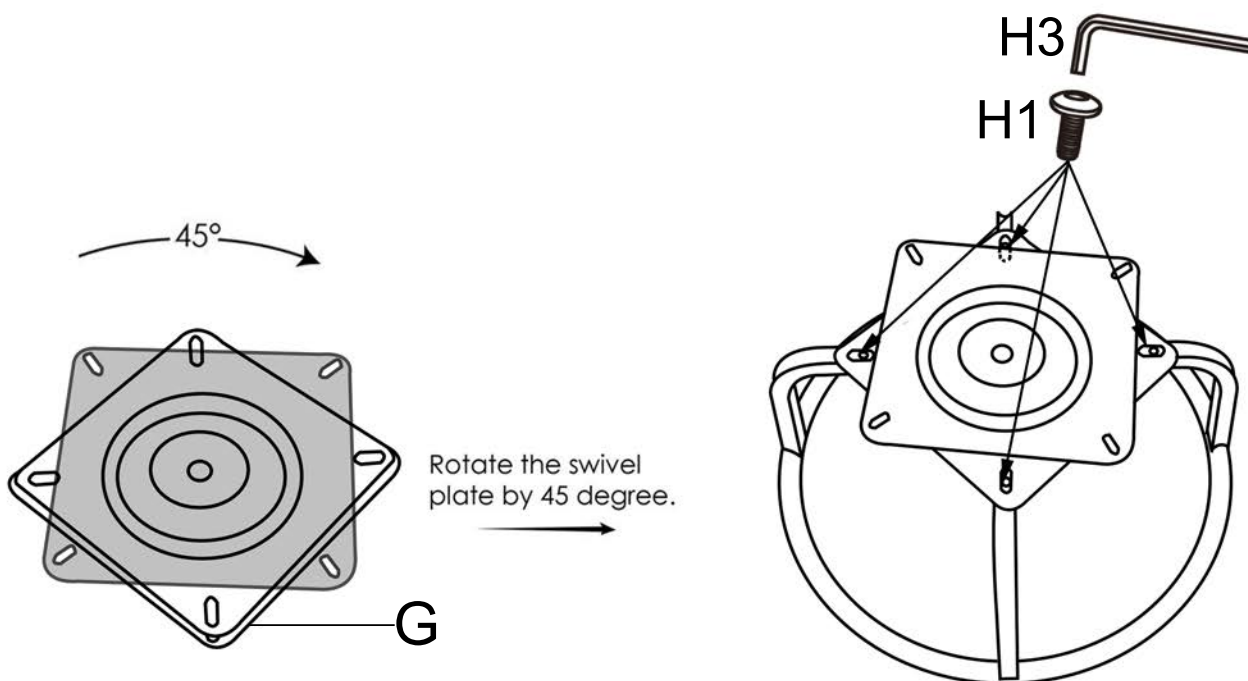
A×1 	B×1 	C×1 	D×1 	E×1 
F×4 	G×1 	H1×25 	H2×4 	H3×1 

1

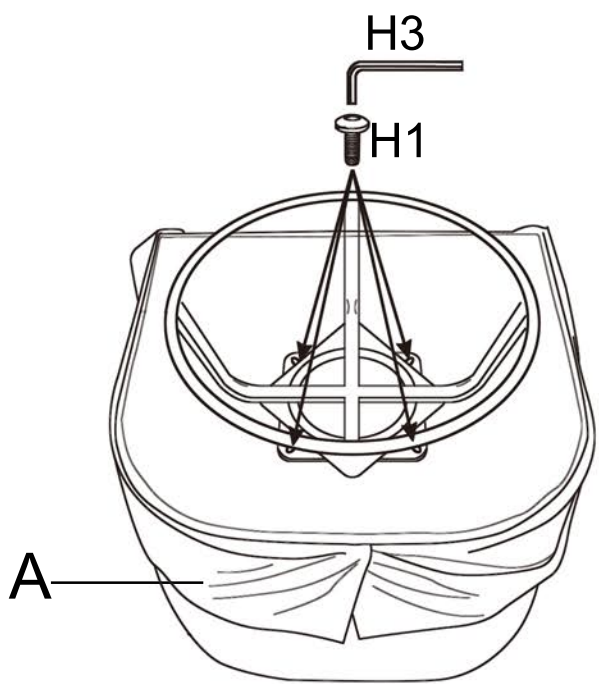


After all screws find the corresponding holes then please twist 100%.

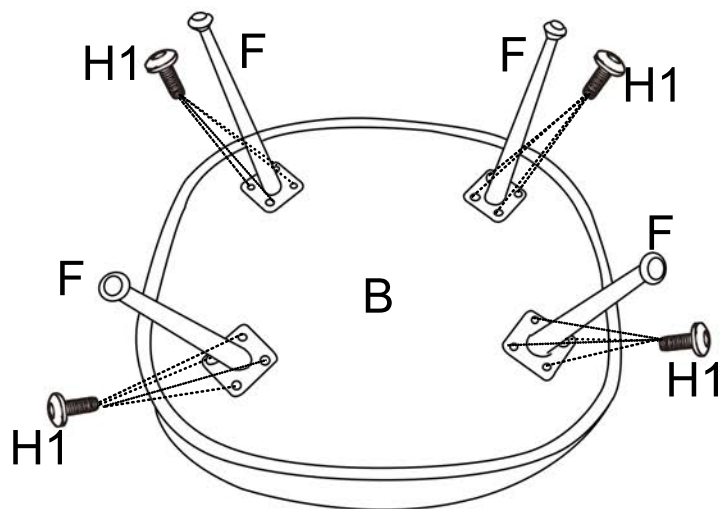
2



3



4



5

