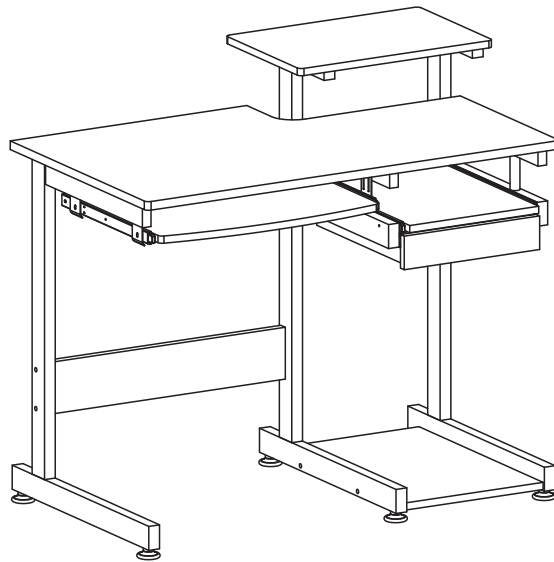


COMPLETE COMPUTER WORKSTATION DESK ASSEMBLY INSTRUCTIONS




Thank you for purchasing our product

Do a quick inventory of all the parts and hardware listed below.

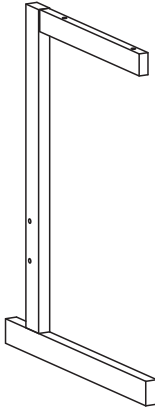
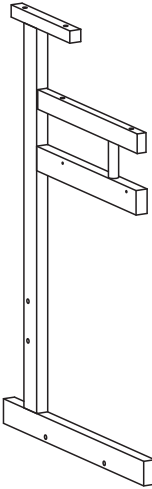
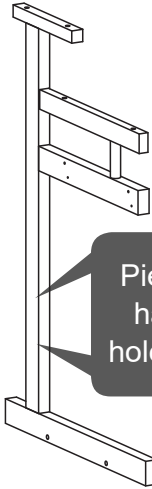
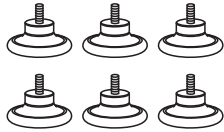

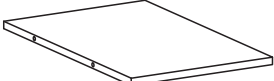

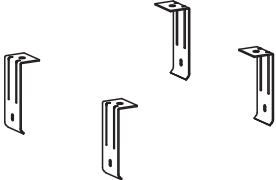

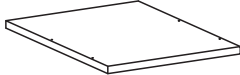
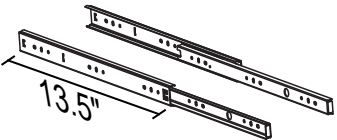
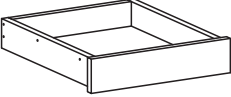
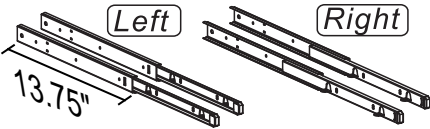


For Support, assembly questions & Replacement Parts within the 48 Contiguous United States.

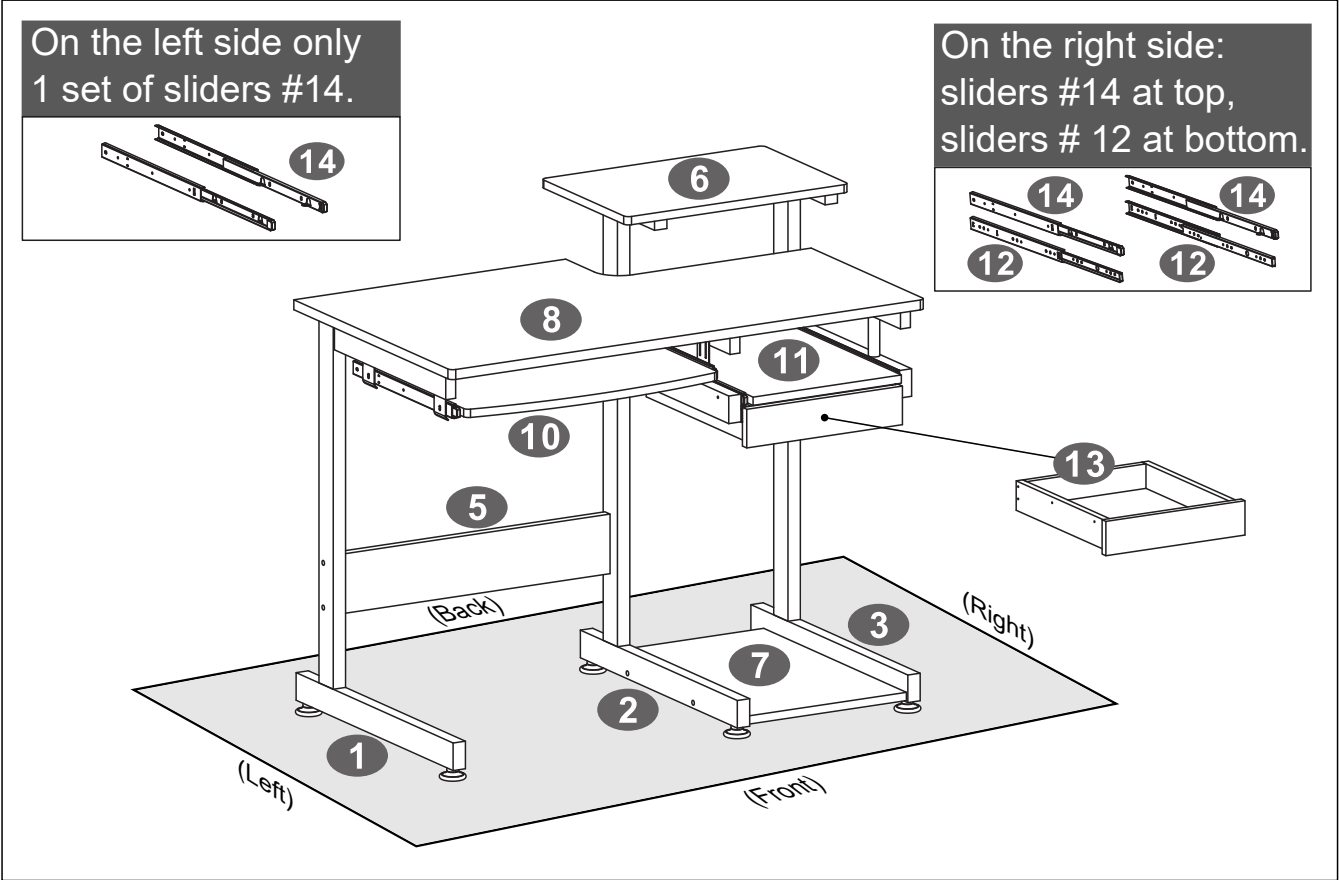


Replacement Parts for International Customers orders:
 Products will replace the part free of charge, while **the customer is responsible for shipping costs plus any International local taxes or duties.**

MAIN PARTS LIST

<p>1 Left metal leg x1</p> 	<p>2 Central metal leg x1</p> 	<p>3 Right metal leg x1</p>  <div style="border: 1px solid black; background-color: #333; color: white; padding: 2px; width: fit-content; margin: 5px auto;"> Piece #3 has no holes here </div>	<p>4 Glide studs x6</p> 
<p>6 Top shelf x1</p> 	<p>7 Lower panel x1</p> 	<p>8 Tabletop x1</p> 	
<p>9 Slider bracket x4</p> 	<p>10 Keyboard panel x1</p> 	<p>11 Slide-out panel x1</p> 	
<p>12 Sliders for drawer, set of 2 same pcs x1 Set 13.5" closed, no tabs</p> 	<p>13 Drawer x1</p> 	<p>14 Sliders for panels 10 & 11, set of 1 left and 1 right x2 Set 13.75" closed, with tabs</p> 	

MAIN PARTS LAYOUT (For reference)



HARDWARE LIST

PART	QTY	SIZE / DESCRIPTION	ITEM
A	4	M6x35	
B	14	M6x50	
C	8	M4x14	
D	4	M4x4	
E	4	M4x28	
F	4	M3x15	
G	4	M6x12	
H	4	M4x8	

INCLUDED TOOLS

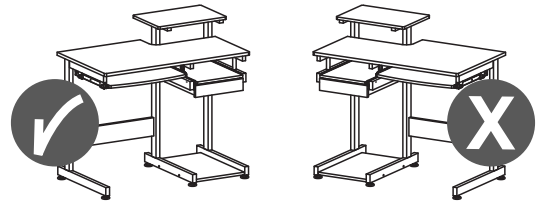
Phillips Screwdriver

If you decide to use your own power driver:

- Make sure to have the appropriate hex or Phillips bits.
- Start using at a low torque or speed to avoid stripping the screws.

BEFORE YOU START THE ASSEMBLY, PLEASE READ THE FOLLOWING TIPS AND WARNINGS.

- The product is not reversible, it assembles **ONLY** as shown in the front page, with the drawer on the **RIGHT** side. The drawer cannot install on the **LEFT** side.



- Do not discard this manual or any of the packaging material until the unit is completely assembled.
- Please read the assembly instructions thoroughly and follow step by step.



- The assembly might require of 2 persons for certain steps. Before you start the instalation, make sure there is someone else nearby to help you.



- Make sure you understand which hardware will be used on each step. Using the wrong size of screw, bolt or pin might strip the threads or cause damage to the part in which it is being used.



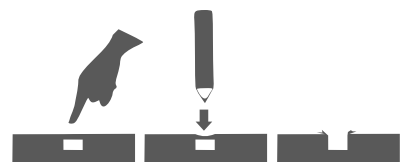
- To avoid misalignments, always leave the screws loosely and do not tighten them until all the pieces are positioned correctly.
- Do not overtighten or force the screws as they might break, strip, damage the threads of the holes, or get stuck inside the parts.



- If the hole seems to small for the screw, make sure you are using the correct size of screw and/or that you are installing it in the correct hole.



- Sometimes on the wood panels the laminate or material might be covering the hole partially or entirely, if there is no visible hole or if it looks too small, pass and press the tip of your finger over the area to feel its indentation, and carefully pierce the laminate to uncover the hole underneath.





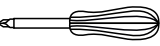
- Please be kind to our planet, when done with the assembly, recycle any of the packaging materials that is accepted by your city or recycling service.



Thank you!

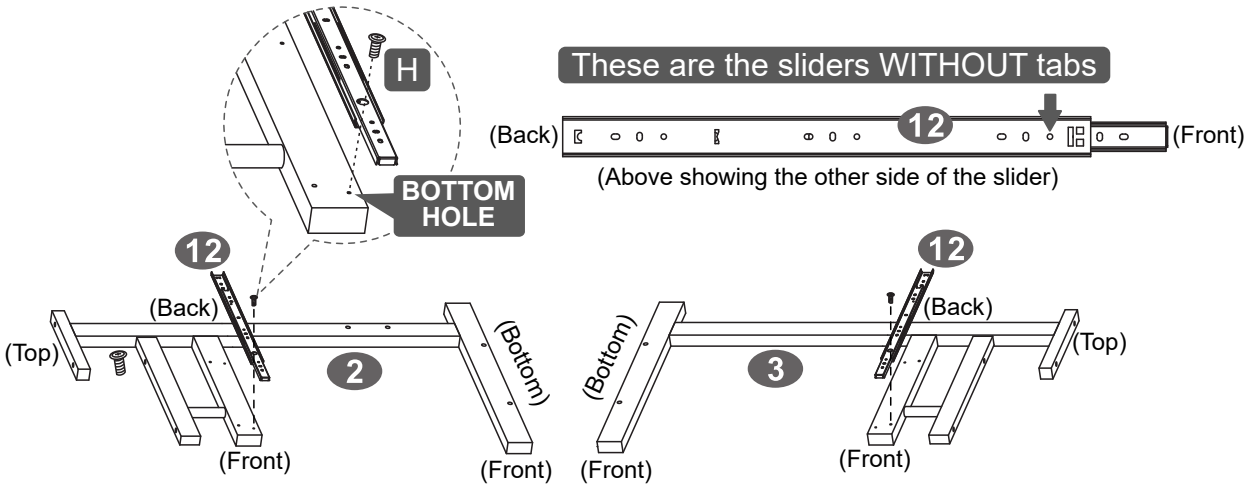
ASSEMBLY STEPS

WE RECOMMEND TO PLACE THE PIECES OVER BLANKETS OR TABLECLOTHS TO PROTECT THEIR FINISH DURING ASSEMBLY.

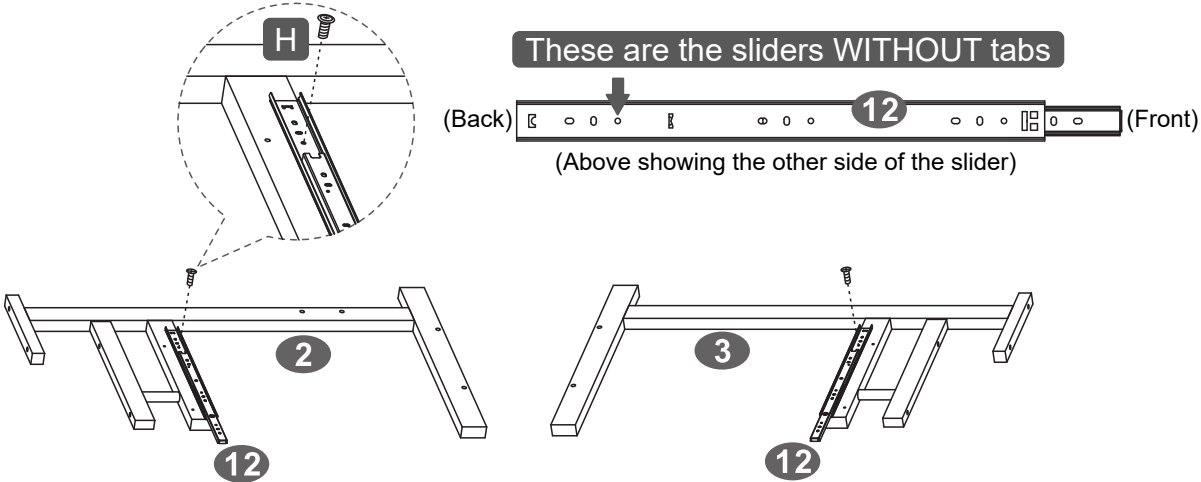
STEP 1		
Hardware		
H	 M4x8	4 Pcs
Tools (included)		
		

- **FIRST** identify the **FRONT LOWER HOLES** on the legs **2** and **3**. You will attach front of the sliders **12** on these holes using screws **H** by opening the sliders slowly and matching through the big round opening the front hole of the slider with the front hole of the leg.
- **THEN** secure the sliders to the back hole with screws **H**. Close the sliders.

FIRST Attach at the front. Open slider slowly, match holes thru big opening.

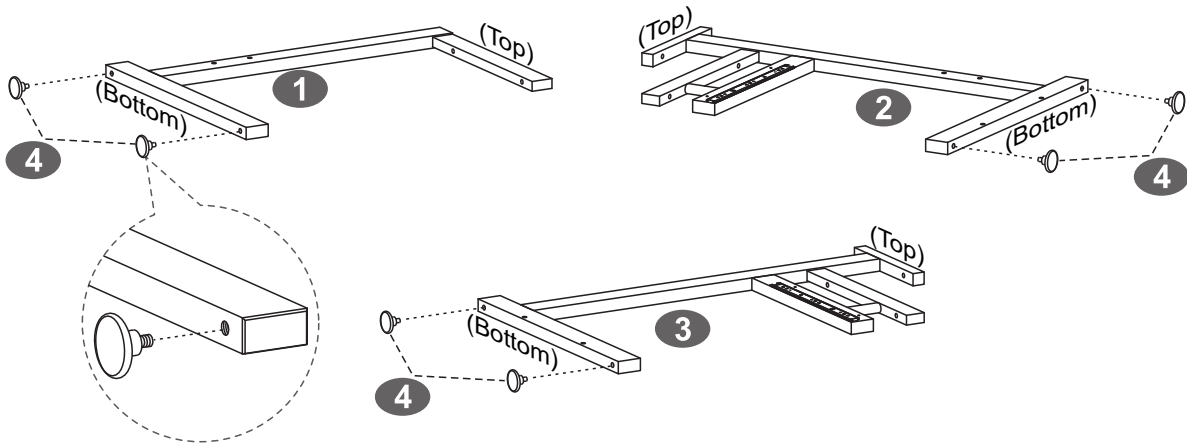


THEN Attach at the back, then close sliders.



STEP 2

Install the glide studs **4** into the bottom of the legs **1**, **2** and **3**.



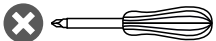
STEP 3

This step requires of  2 persons

Hardware

B  4 Pcs
M6x50

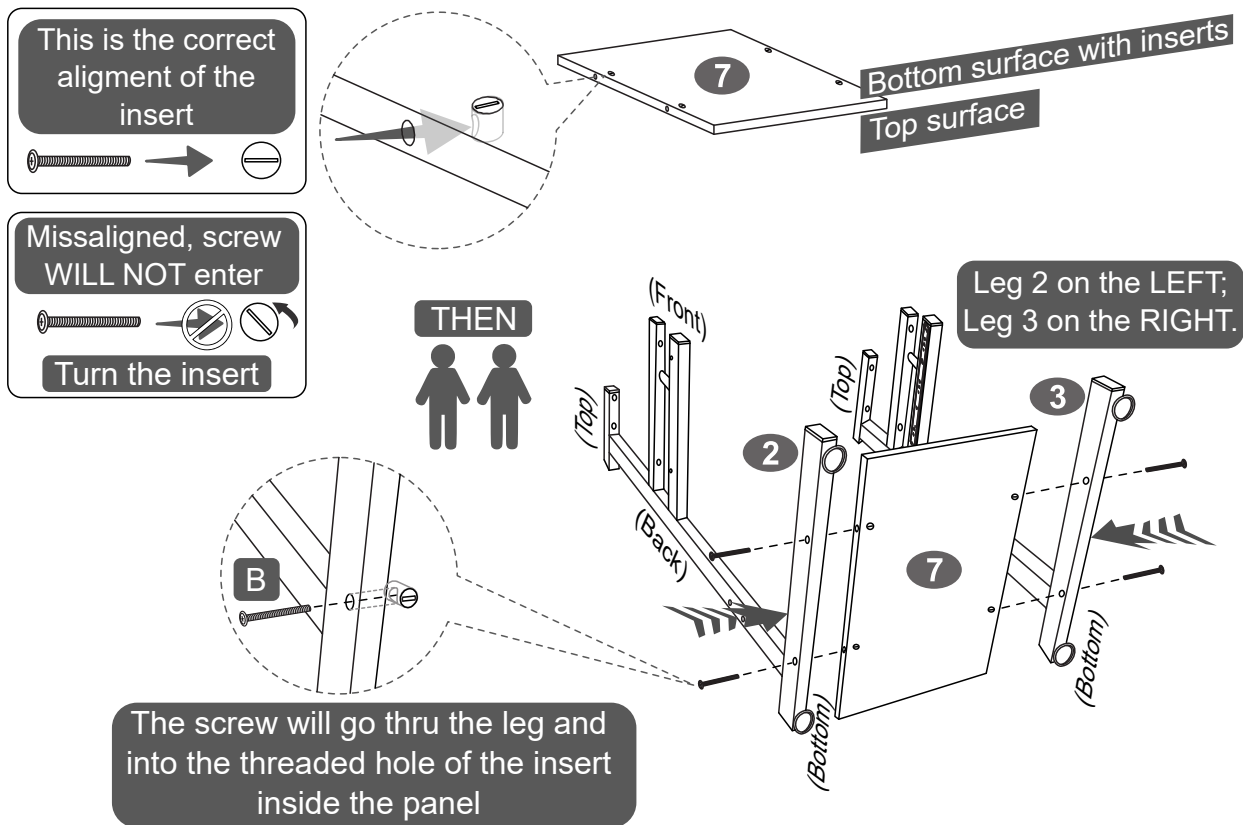
Tools (included)



- **FIRST**, on the lower panel **7**, check and make sure that the 4 insert nuts are properly aligned to receive the screws **B**. You can test with one screw **B** inserting it directly into each hole. If any of the nuts are misaligned, use a screwdriver and turn either way so the channel runs in the same direction where the screw enters into the hole.
- **THEN**, and with the help of another person, assemble the lower panel **7** in between the legs **2** and **3** at the bottom with screws **B**.

FIRST

Make sure all the inserts are aligned



STEP 4

This step requires of 2 persons



Hardware

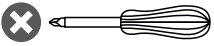
A



M6x35

4 Pcs

Tools (included)

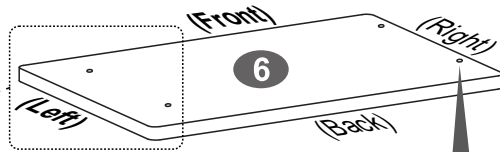
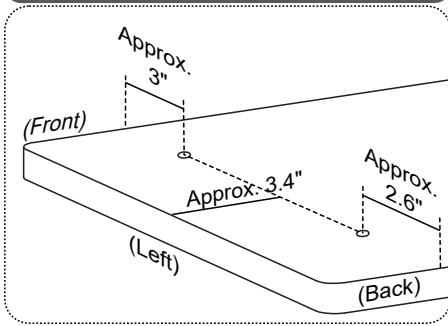


- **FIRST** identify on the top shelf **6**, what is the FRONT, BACK, LEFT and RIGHT, as this panel should go installed only as it is shown below.
- **THEN**, and with the help of another person lifting the frame at the top, assemble the top shelf **6** to the legs **2** and **3** with screws **A** making sure the front edge of the panel faces towards the front, and the left towards the left.
- **LASTLY**, with the help of another person bring the frame upright.

FIRST

On panel 6 identify the FRONT and the LEFT

Holes are far from the edges at the FRONT and LEFT

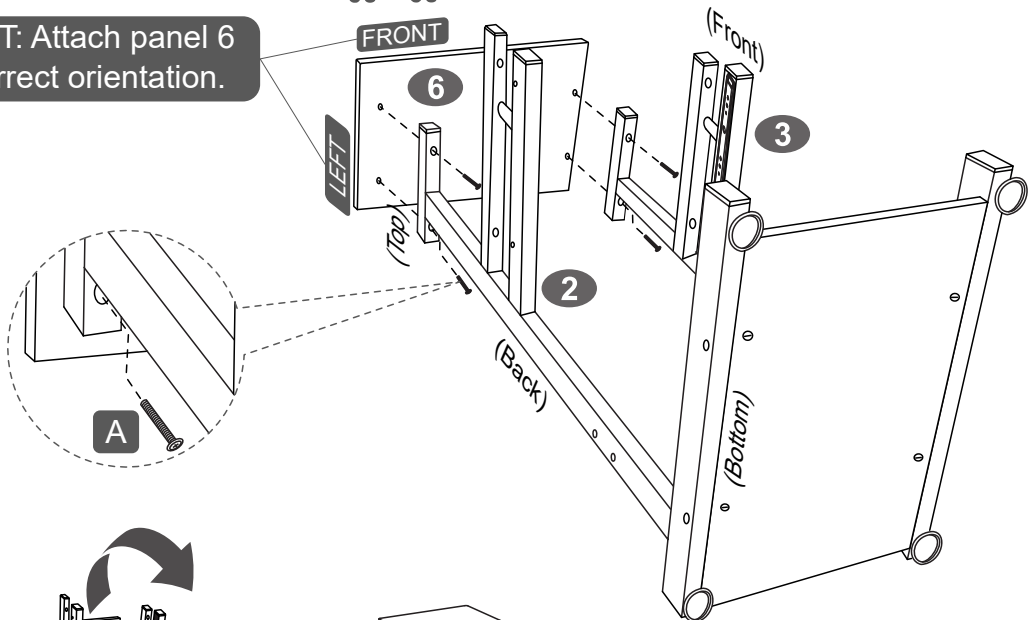


Holes are closer to the edges at the BACK and RIGHT

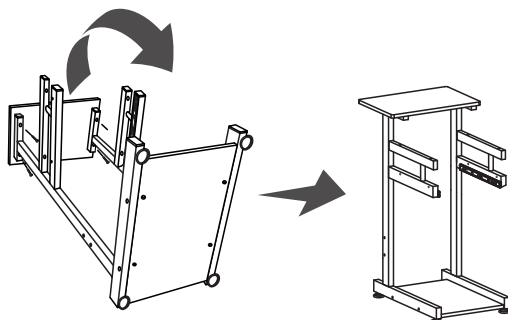
THEN



IMPORTANT: Attach panel 6 with the correct orientation.



LAST

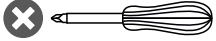


STEP 5

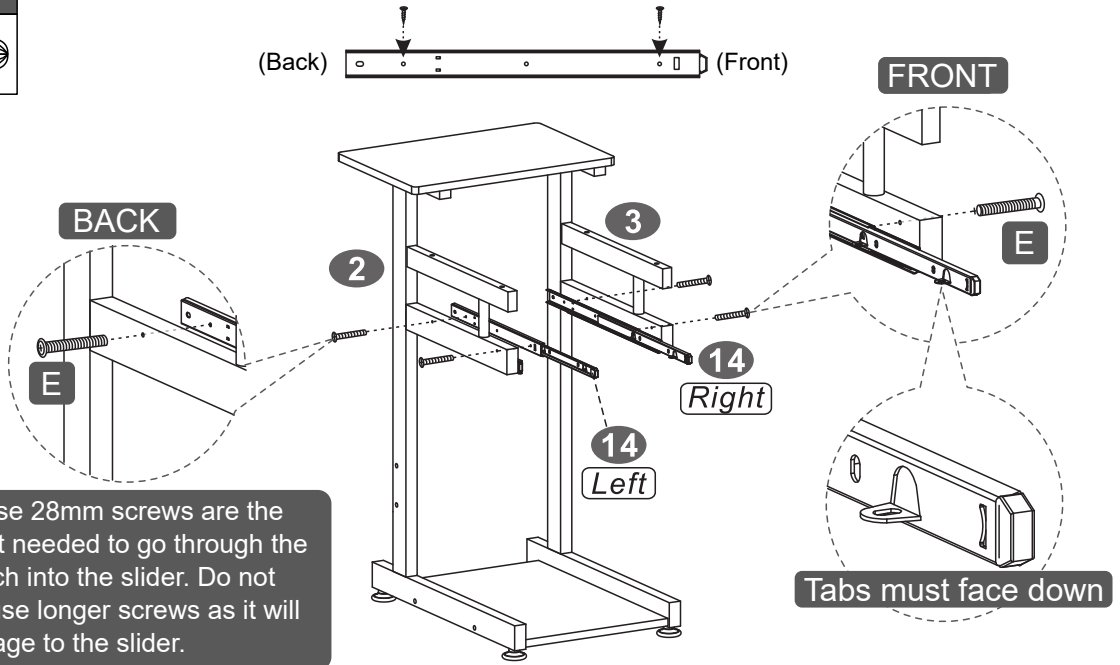
Hardware

E  4 Pcs
M4x28

Tools (included)



Attach one pair of sliders **14** to the frames **2** and **3** with screws **E** on the top sets of holes. The screws go from the outside, through the legs and into the threaded holes of the sliders. The tabs go facing down.




NOTE: These 28mm screws are the exact length needed to go through the leg and catch into the slider. Do not attempt to use longer screws as it will cause damage to the slider.

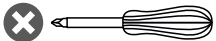
STEP 6

This step requires of  2 persons

Hardware

B  4 Pcs
M6x50

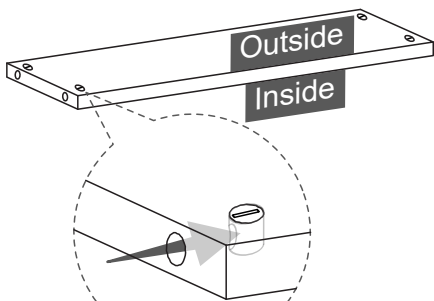
Tools (included)



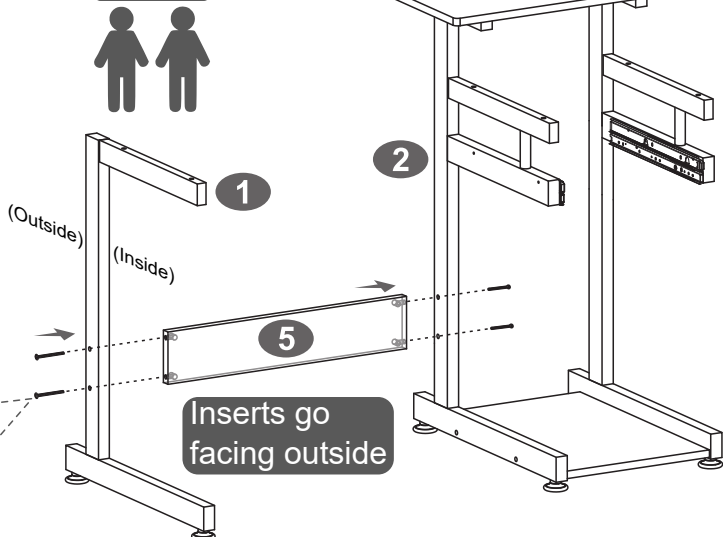
- **FIRST**, on the back panel **5**, check and make sure that the 4 insert nuts are properly aligned to receive the screws **B**. You can test with one screw **B** inserting it directly into each hole. If any of the nuts are misaligned, use a screwdriver and turn either way so the channel runs in the same direction where the screw enters into the hole.
- **THEN**, and with the help of another person, assemble the back panel **5** in between the legs **1** and **2** with screws **B**.

FIRST

Make sure all inserts are aligned



THEN



STEP 7

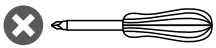
This step requires of 2 persons



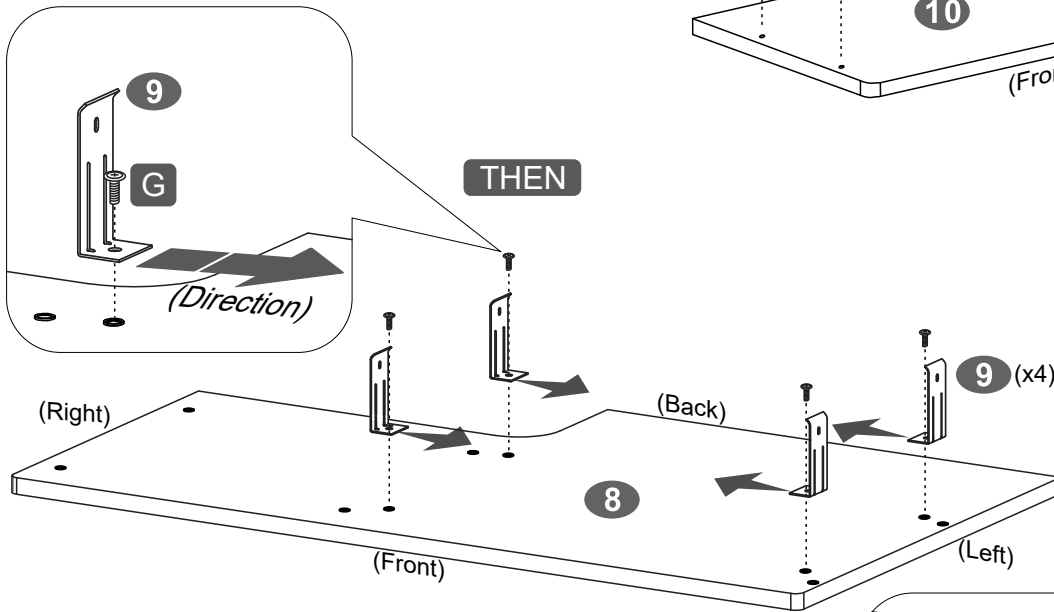
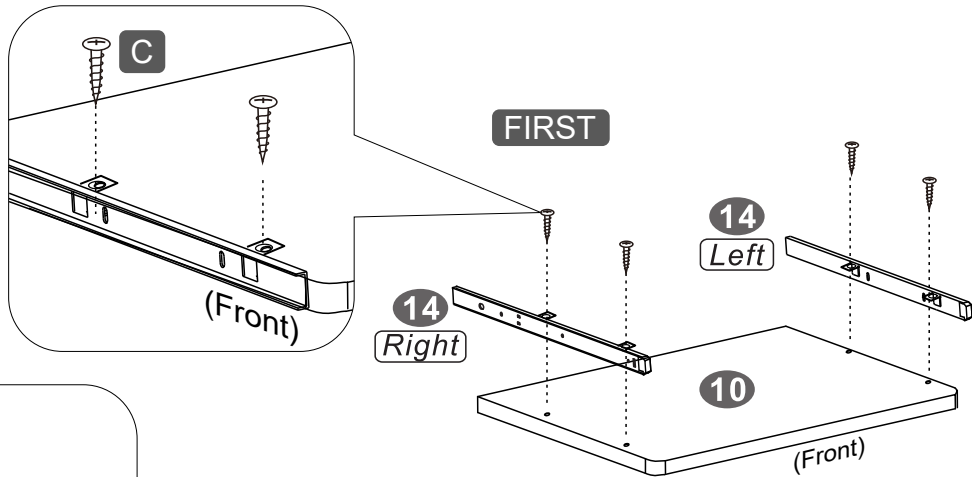
Hardware

C		4 Pcs
D		4 Pcs
G		4 Pcs

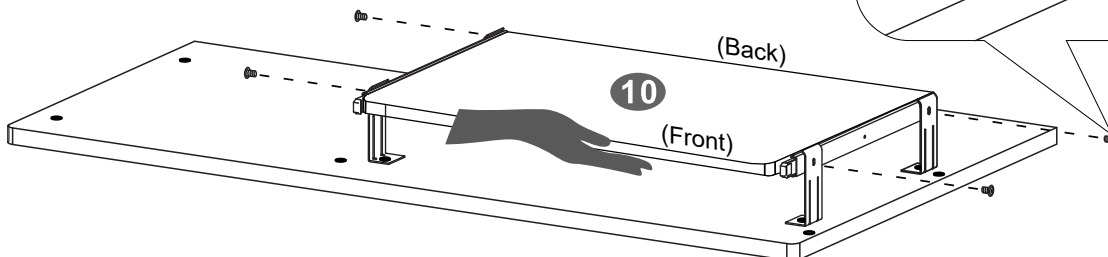
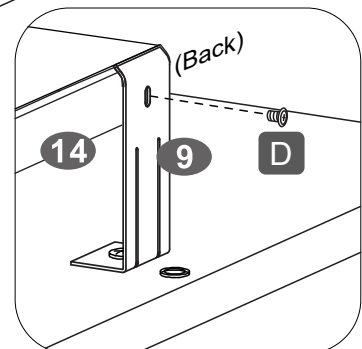
Tools (included)



- **FIRST**, flip the keyboard panel **10** upside-down and attach the second set of sliders **14** with screws **C** in their respective sides.
- **THEN**, attach the slider brackets **9** to the indicated holes on the tabletop **8** with screws **G**, with their lips facing towards the inside.
- **LASTLY**, and with the help of another person, assemble the sliders and keyboard panel to the brackets with screws **D**.




NOTE: These 4mm screws are the exact length needed to go through the bracket and catch into the slider. Do not attempt to use longer screws as it will cause damage to the slider.



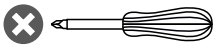
STEP 8

This step requires of  2 persons

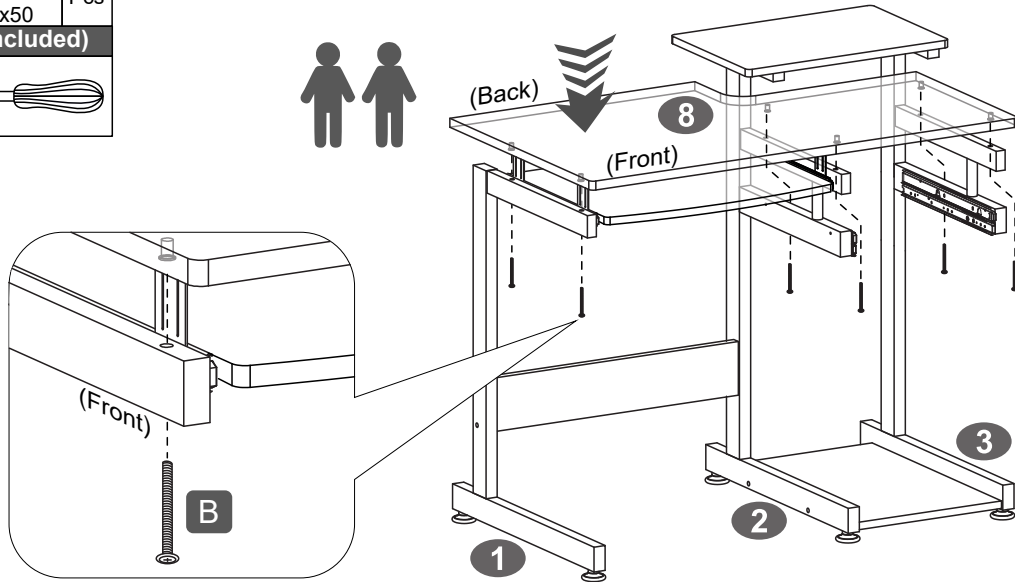
Hardware

B  6 Pcs
M6x50

Tools (included)



- FIRST, with the help of another person, carefully place the tabletop **8** over the legs **1**, **2** and **3**.
- THEN, secure the tabletop to the legs with screws **B**.

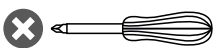


STEP 9

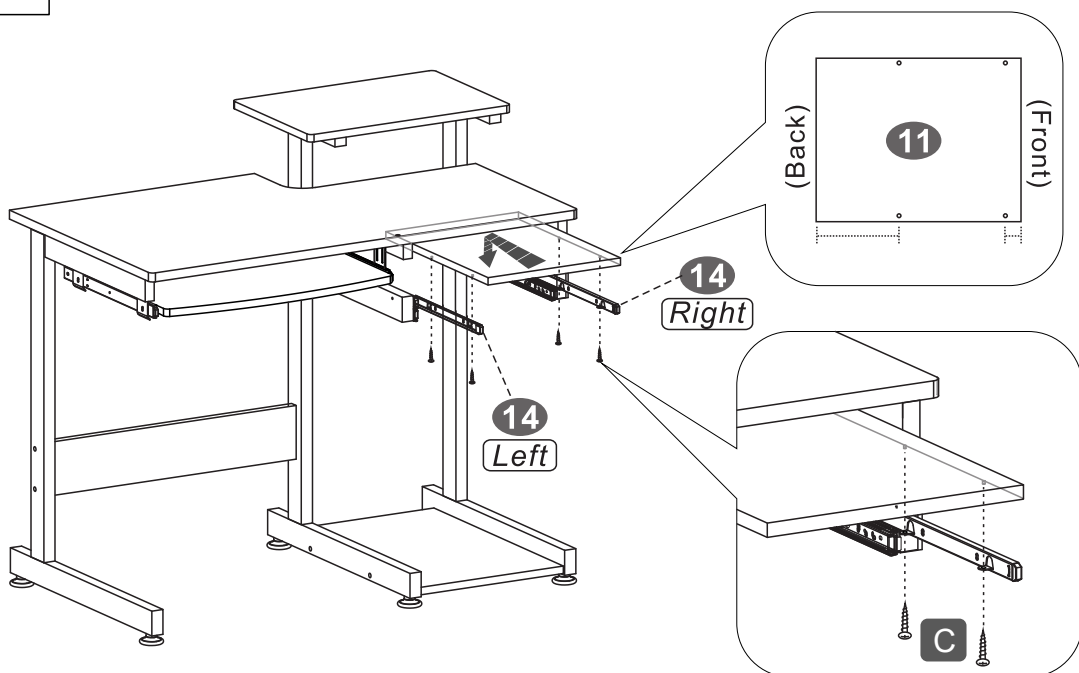
Hardware

C  4 Pcs
M4x14

Tools (included)



- FIRST identify on the slide-out panel **11** the FRONT edge, as this panel should go installed only as it is shown below.
- THEN pull out the TOP sliders **14** from the unit and place the panel **11** over it making sure its holes coincide with the tabs on the sliders.
- LASTLY, secure the panel with screws **C**.



STEP 10

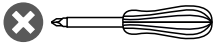
This step requires of 2 persons



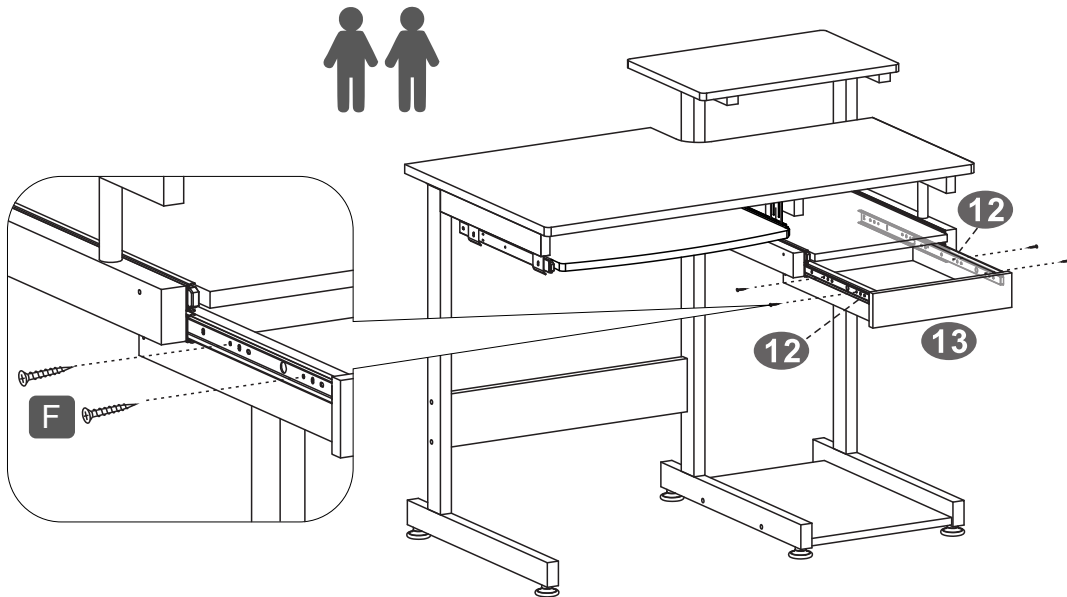
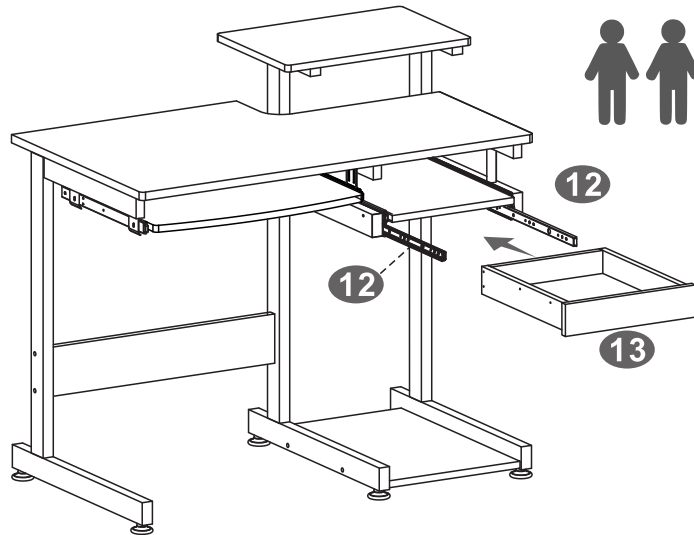
Hardware

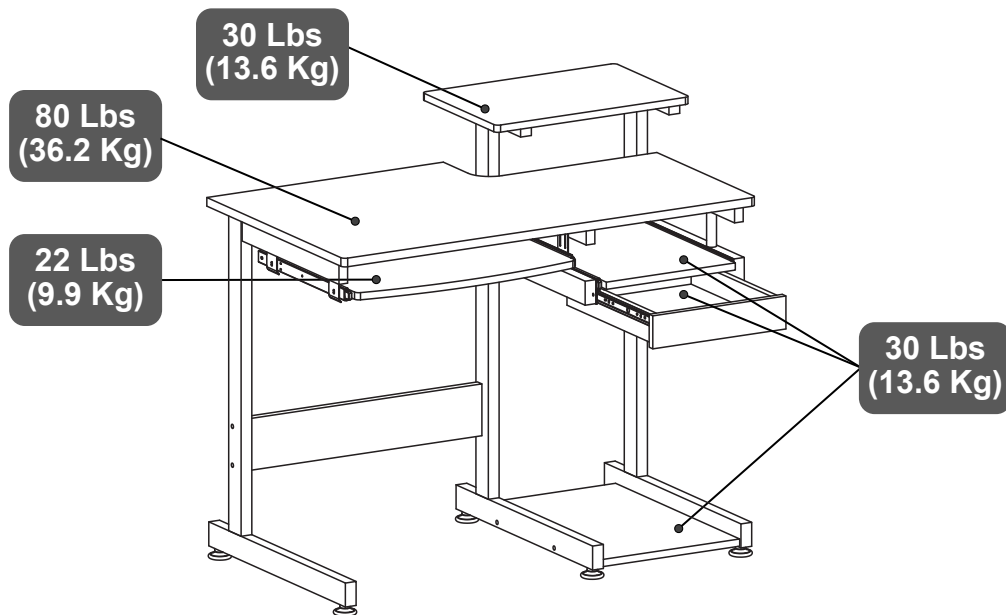
F M3x15 4 Pcs

Tools (included)



Pull out the BOTTOM sliders 12 from the unit, and with the help of another person, install the drawer 13 with screws F.



WEIGHT LIMITS**WARNINGS**

- Do not exceed the indicated weight limits.
- Do not expose the surfaces to direct sunlight or to extreme environmental conditions.
- Do not use solvents or abrasive materials to clean the unit.
- Do not sit on the unit or lean against it.
- Do not allow small children to play under or over the unit.
- Do not allow small children to reach inside the drawer without your supervision.
- Do not pull, push or drag the unit to move it for more than 1 feet. The unit must be lifted by at least 2 persons when moving in the same or adjacent rooms.
- Before moving the unit, make sure to secure or remove any object that is heavy or might fall off.
- Lift grabbing the frame, not the tabletop.
- When lifting the unit, use both hands and bend your knees, not your backs.
- Do not use the product if screws are loose or missing, or if you notice damaged parts.
- The warranty does not extend to regular wear and tear, nor the manufacturer assumes liability for damages or consequences due to accidents, incorrect assembly, negligence, improper use, modifications, or not heeding the above warnings.

CARE AND MAINTENANCE

- Clean the surfaces preferable with a clean cloth dampened in a solution of mild soap and water, then dry with a clean towel.
- If you decide to use a cleaning agent, test first on an area hidden from view such as underneath the tabletop.
- Every 4 months, inspect the unit completely and make sure that all screws are tighten.
- When transporting the unit to places far away, protect and secure the unit to avoid damage in transit.