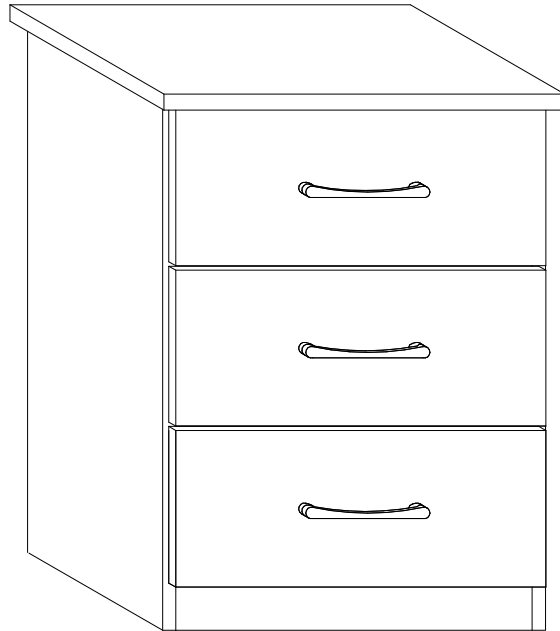
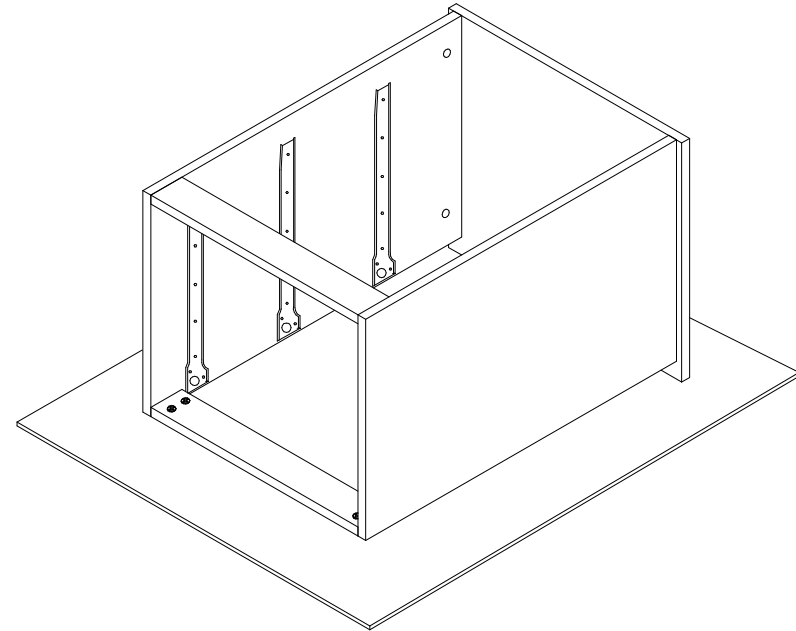
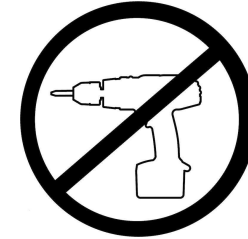
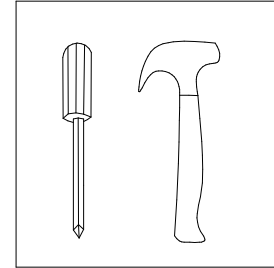


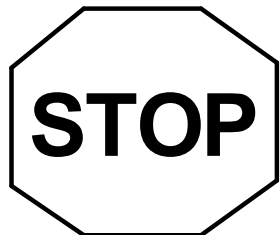
MODEL : BOSTON (NIGHT STAND)



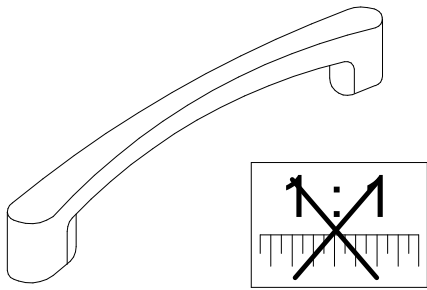
Required Tools : Screwdriver & Hammer



Please place on the carton while installing to prevent damage or scratches.

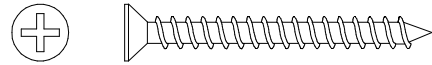


For missing parts/assembly questions call 201-565-6327



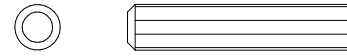
A **3PCS**

Plastic Handle



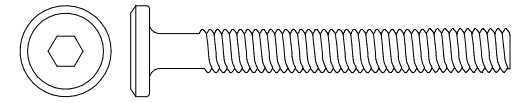
B **6PCS**

Handle Screw
M4 X 40mm



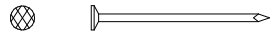
C **18PCS**

Wood Dowel
M6 X 30mm



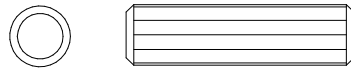
D **6PCS**

JCBC Bolt
M6 X 50mm



E **24PCS**

Nail



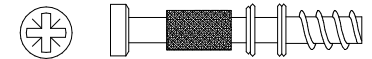
F **2PCS**

Wood Dowel
M8 X 30mm



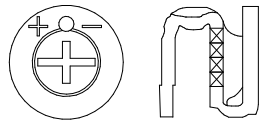
G **1PC**

Allen Key



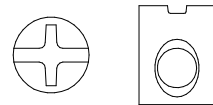
H **24PCS**

Cam Screw



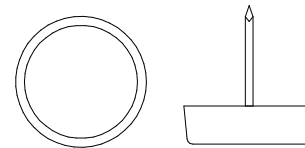
I **24PCS**

Cam Lock



J **6PCS**

Barrel Nut



K **4PCS**

Nail Leg With Pin

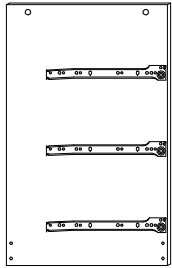
1 : 1



ASSEMBLY INSTRUCTION (PART)

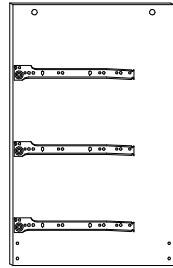
MODEL : BOSTON (NIGHT STAND)

1G



SIDE PANEL (R)
(1PC)

2G



SIDE PANEL (L)
(1PC)

3G

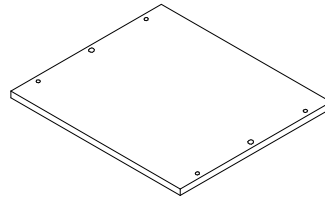
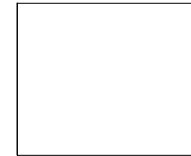


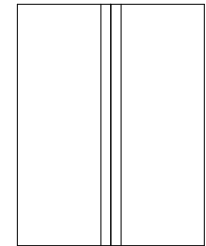
TABLE TOP
(1PC)

4G



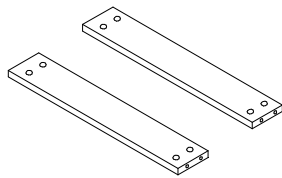
DRAWER PANEL
(3PCS)

5G



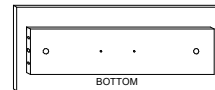
BACK PANEL
(1PC)

6G



FRONT & BACK
APRON (2PCS)

7G



DRAWER TOP (3PCS)

8G



DRAWER BACK PANEL
(3PCS)

9G



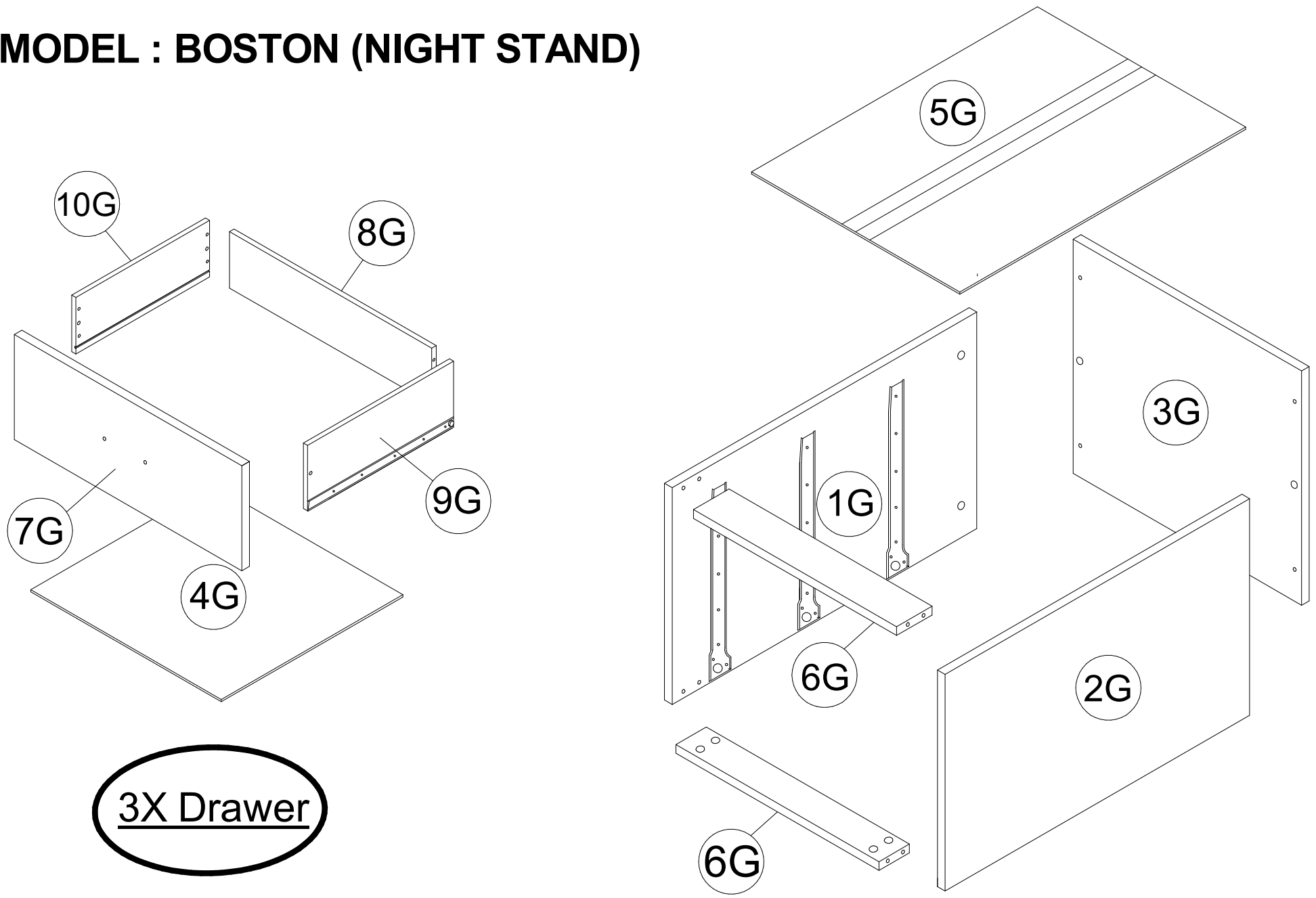
DRAWER SIDE PANEL
R (3PCS)

10G



DRAWER SIDE PANEL
L (3PCS)

MODEL : BOSTON (NIGHT STAND)



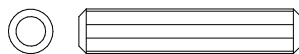
ASSEMBLY INSTRUCTION

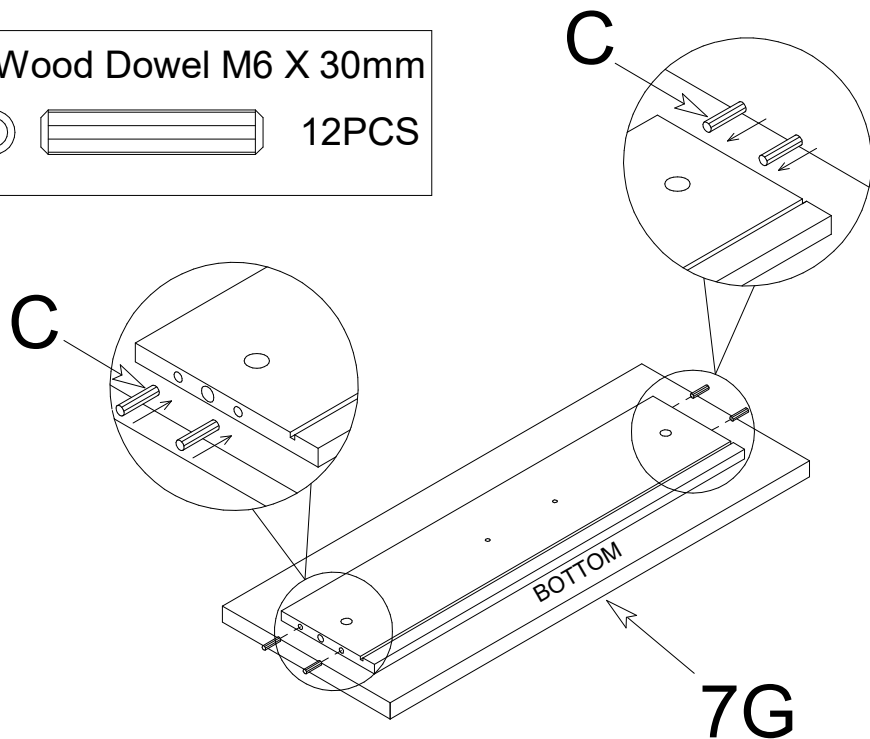
MODEL : BOSTON (NIGHT STAND)

STEP 1.

3X Drawer

C-Wood Dowel M6 X 30mm

 12PCS



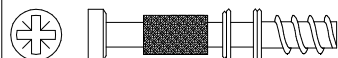
Pre-Assembly

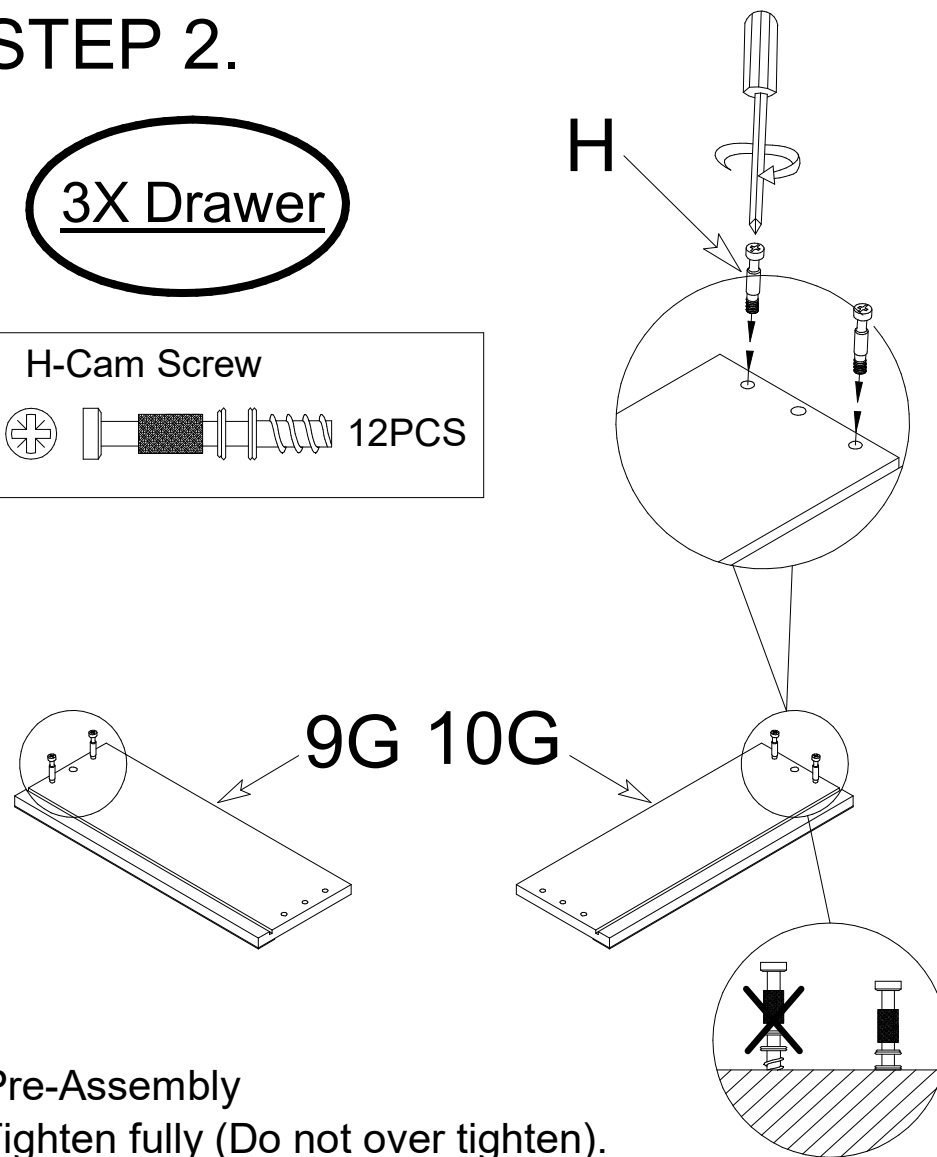
Insert wood dowel in predrilled hole.

STEP 2.

3X Drawer

H-Cam Screw

 12PCS



Pre-Assembly

Tighten fully (Do not over tighten).

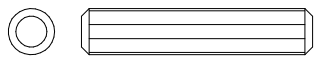
ASSEMBLY INSTRUCTION

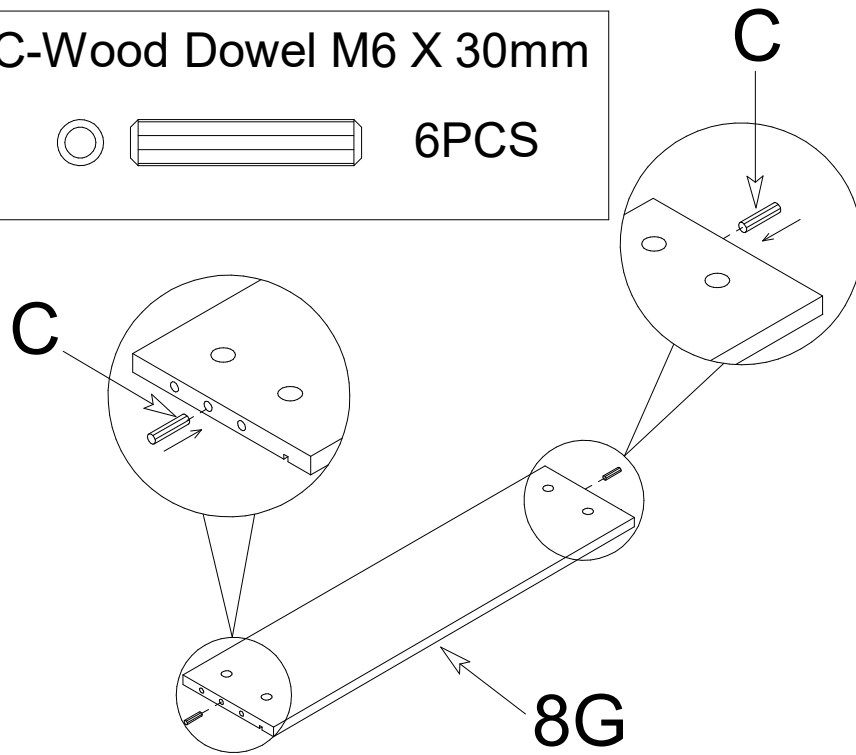
MODEL : BOSTON (NIGHT STAND)

STEP 3.

3X Drawer

C-Wood Dowel M6 X 30mm

 6PCS



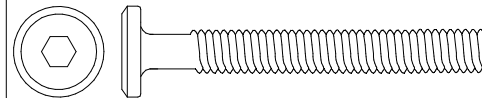
Pre-Assembly
Insert wood dowel in predrilled hole.

STEP 4.

3X Drawer

10G

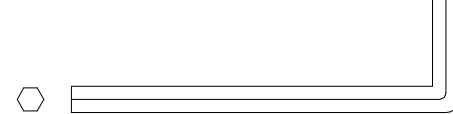
D-JCBC Bolt M6 X 50mm

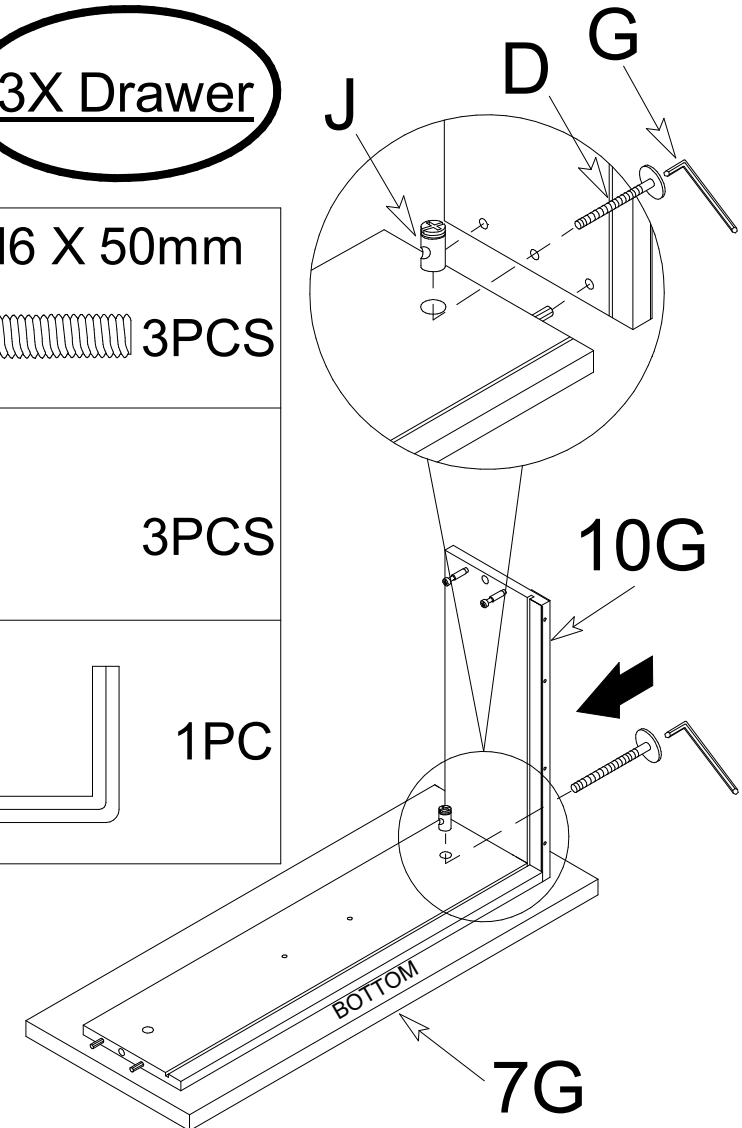
 3PCS

J-Barrel Nut

 3PCS

G-Allen Key

 1PC



Tighten fully. (Do not over tighten).

ASSEMBLY INSTRUCTION

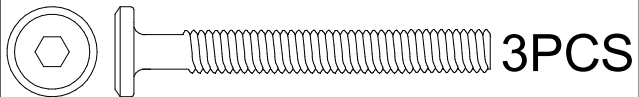
MODEL : BOSTON (NIGHT STAND)

STEP 5.

3X Drawer

9G

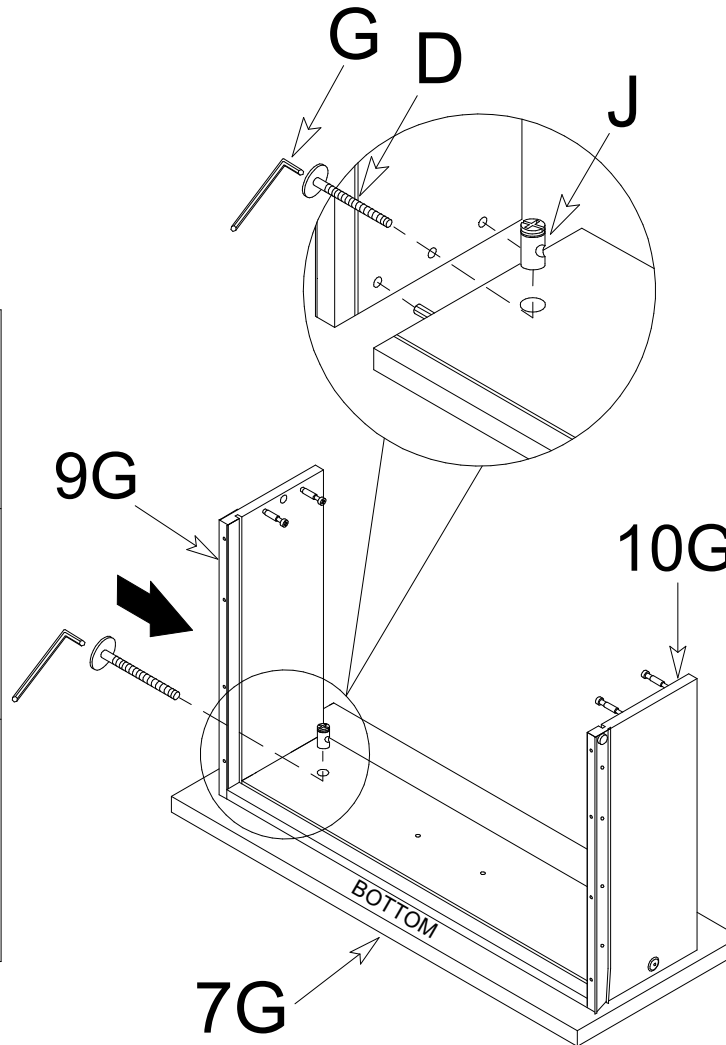
D-JCBC Bolt M6 X 50mm



J-Barrel Nut



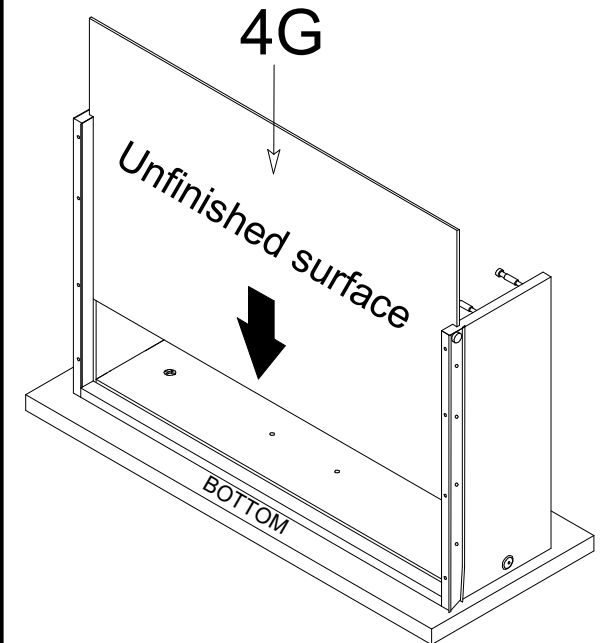
G-Allen Key



Tighten fully. (Do not over tighten).

STEP 6.

3X Drawer

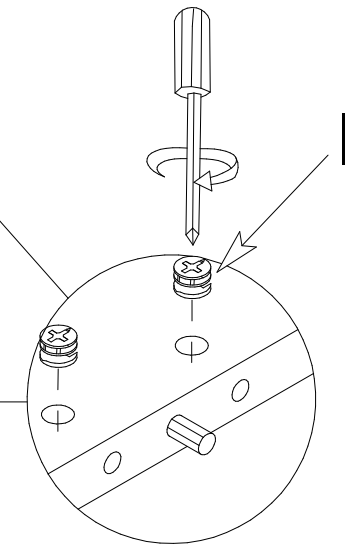
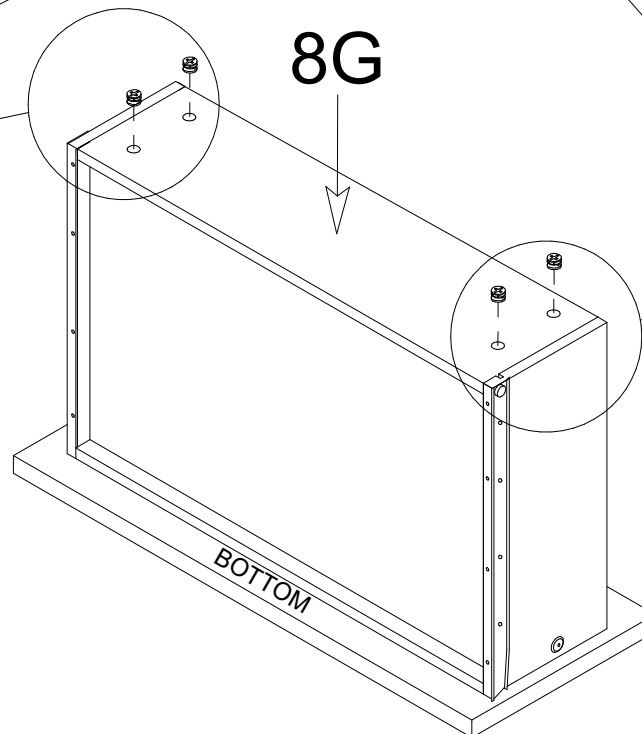
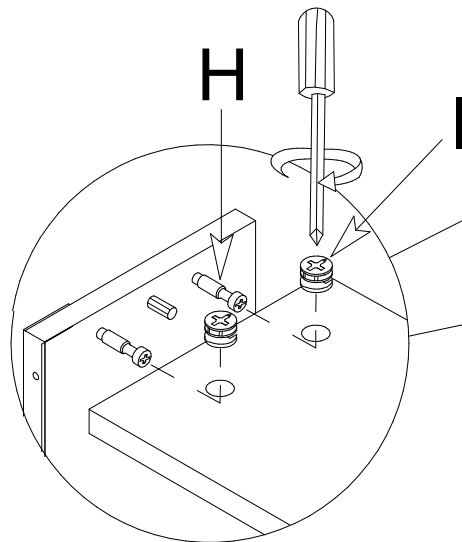
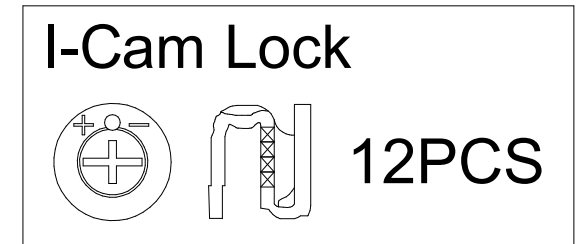
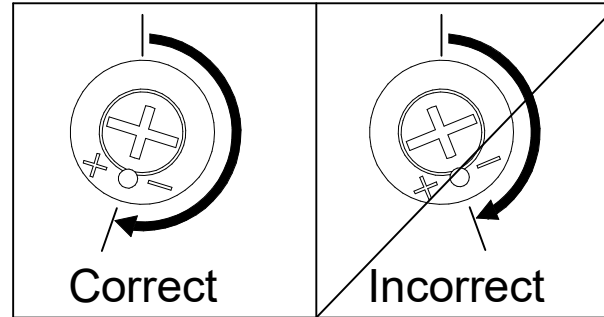


ASSEMBLY INSTRUCTION

MODEL: BOSTON (NIGHT STAND)

STEP 7.

Tighten fully. (Do not over tighten).



3X Drawer

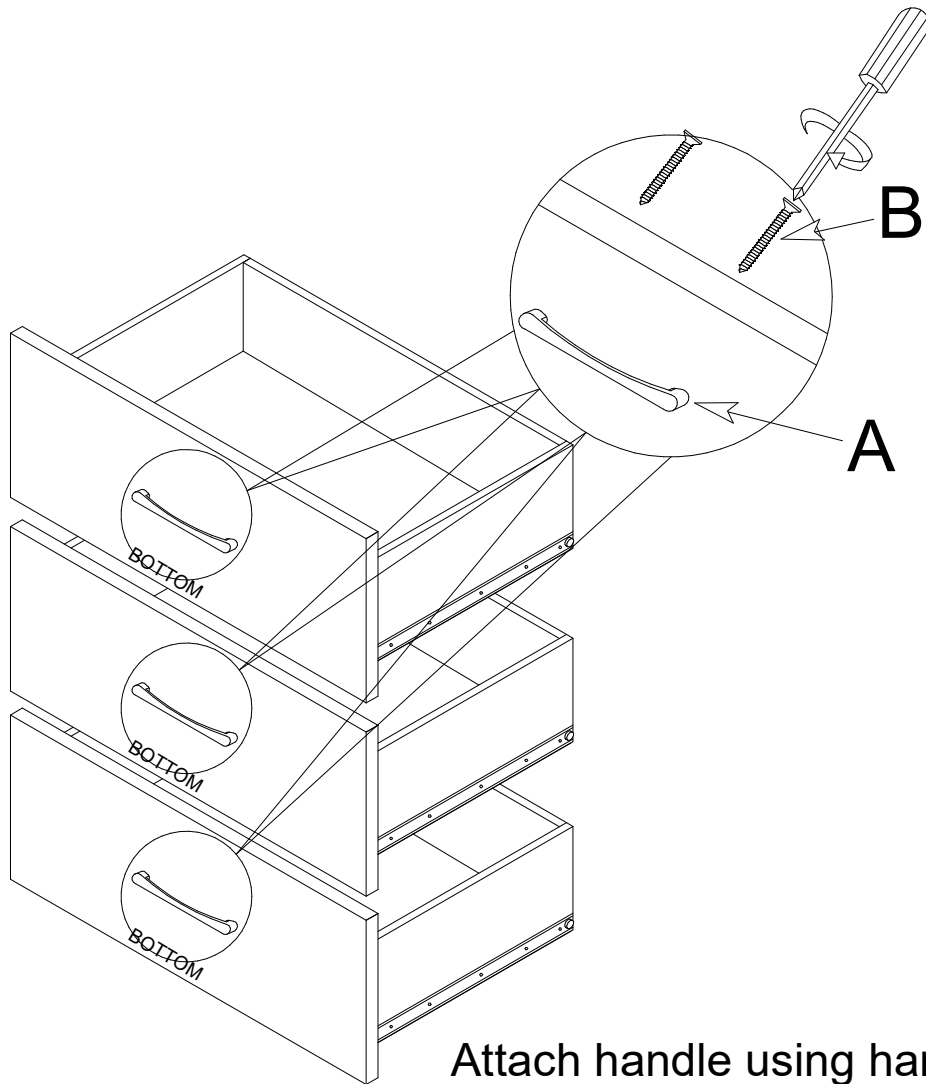
Proper orientation
of Cam Lock (I).
1/2 turn to fully lock.

ASSEMBLY INSTRUCTION

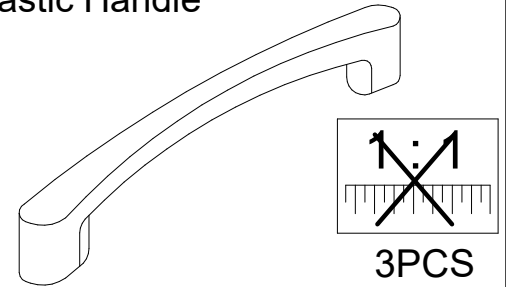
MODEL: BOSTON (NIGHT STAND)

STEP 8.

3X Drawer

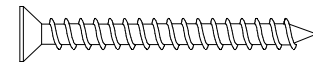


A-Plastic Handle



3PCS

B-Handle Screw M4 X 40mm



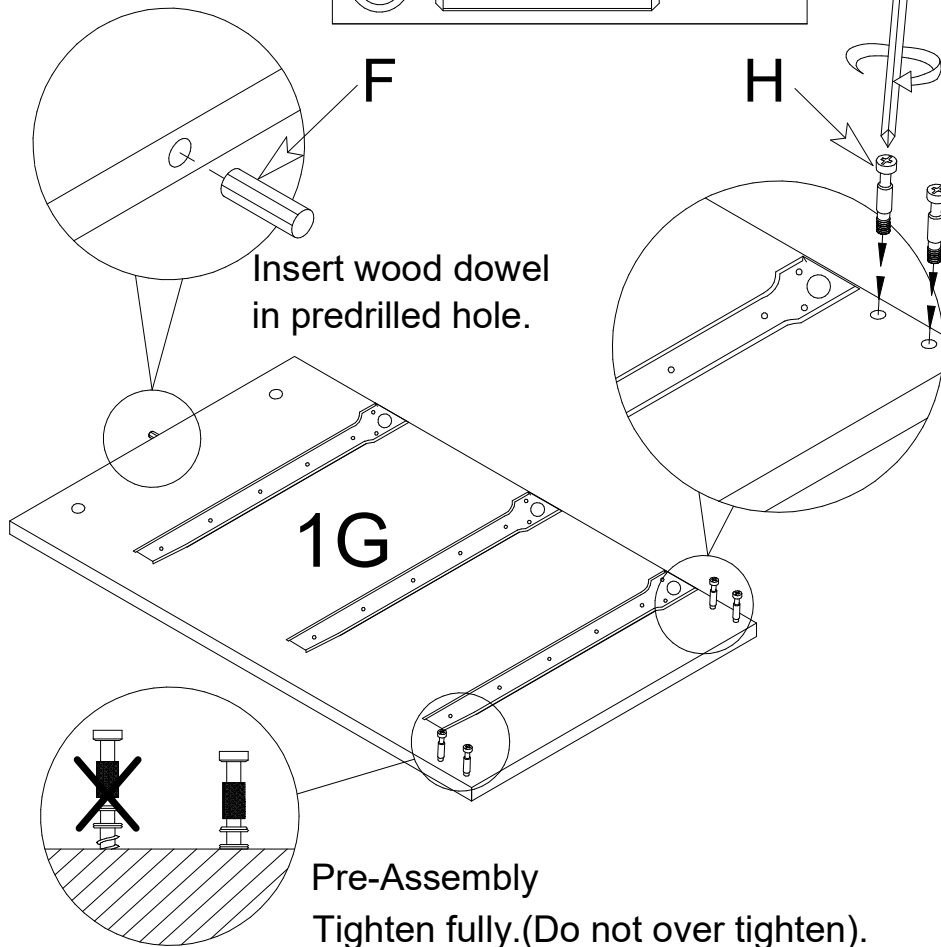
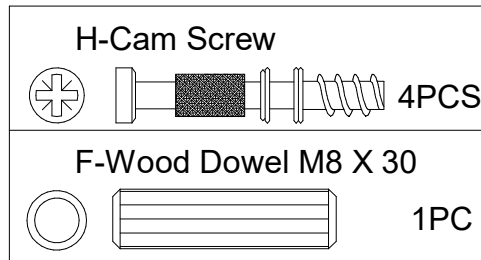
6PCS

Attach handle using handle screw (B).

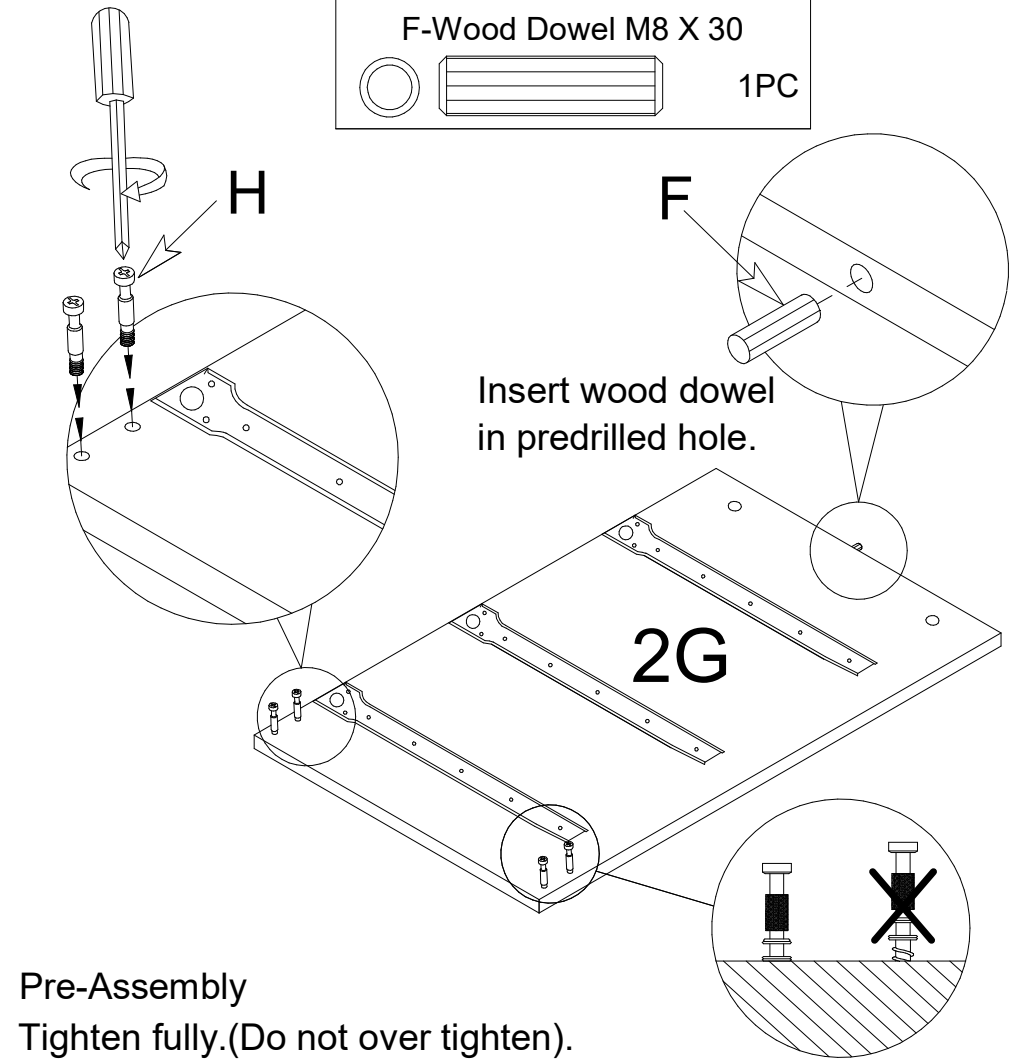
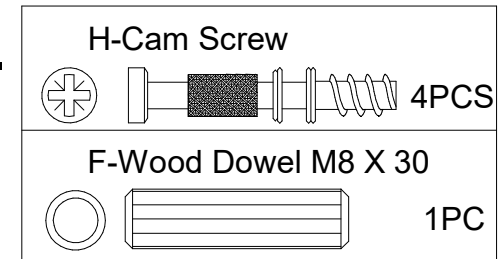
ASSEMBLY INSTRUCTION

MODEL: BOSTON (NIGHT STAND)

STEP 9.



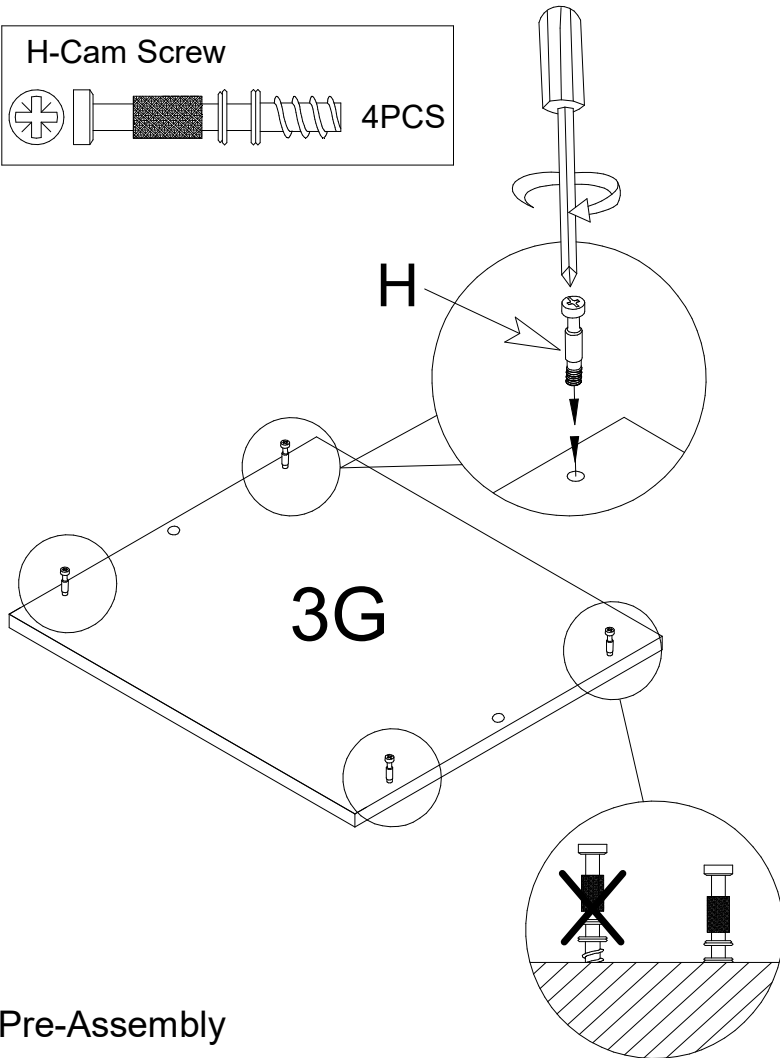
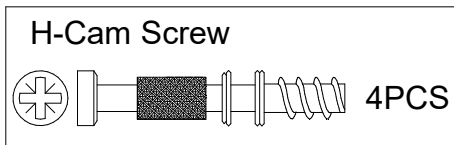
STEP 10.



ASSEMBLY INSTRUCTION

MODEL : BOSTON (NIGHT STAND)

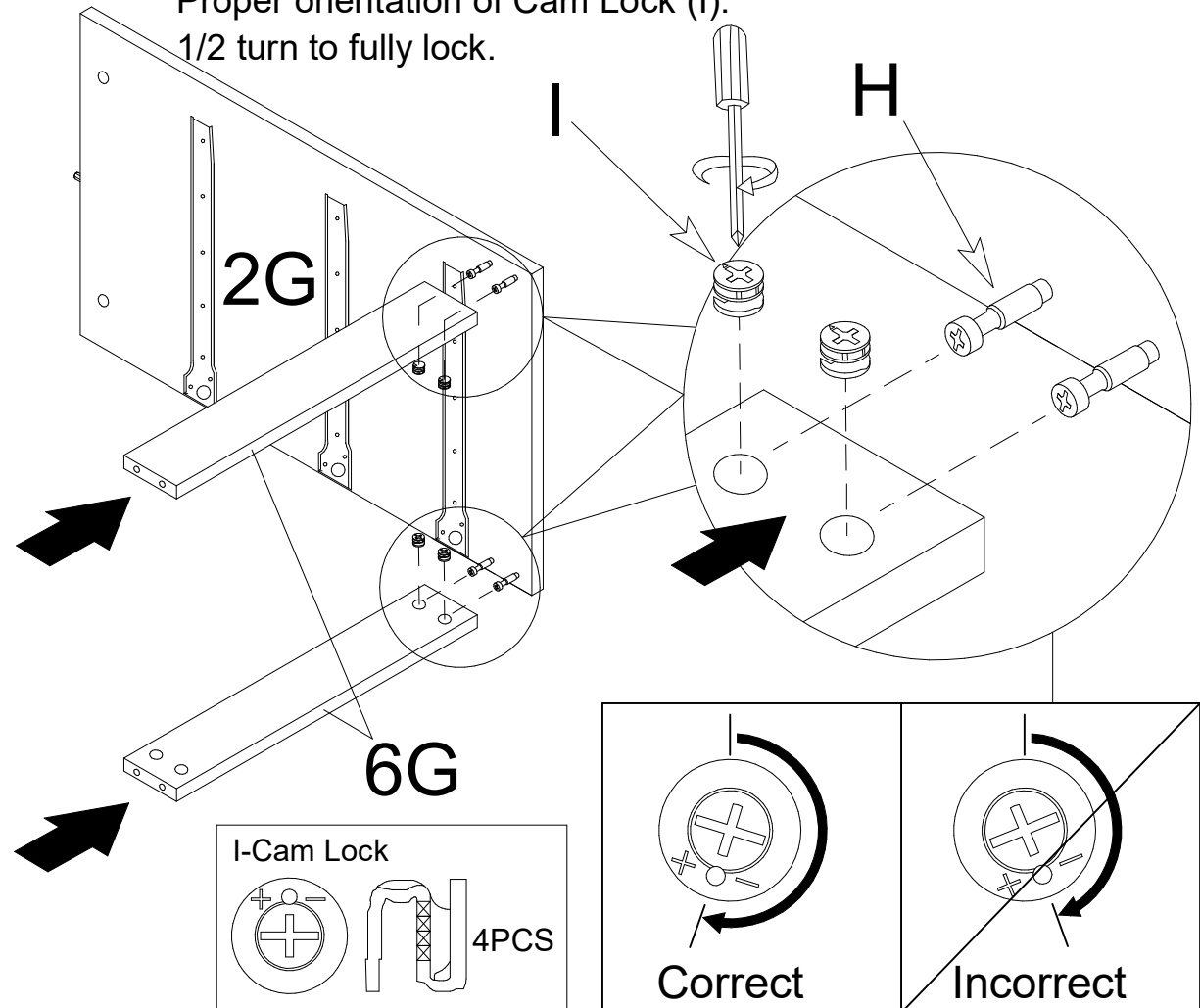
STEP 11.



Pre-Assembly
Tighten fully. (Do not over tighten).

STEP 12.

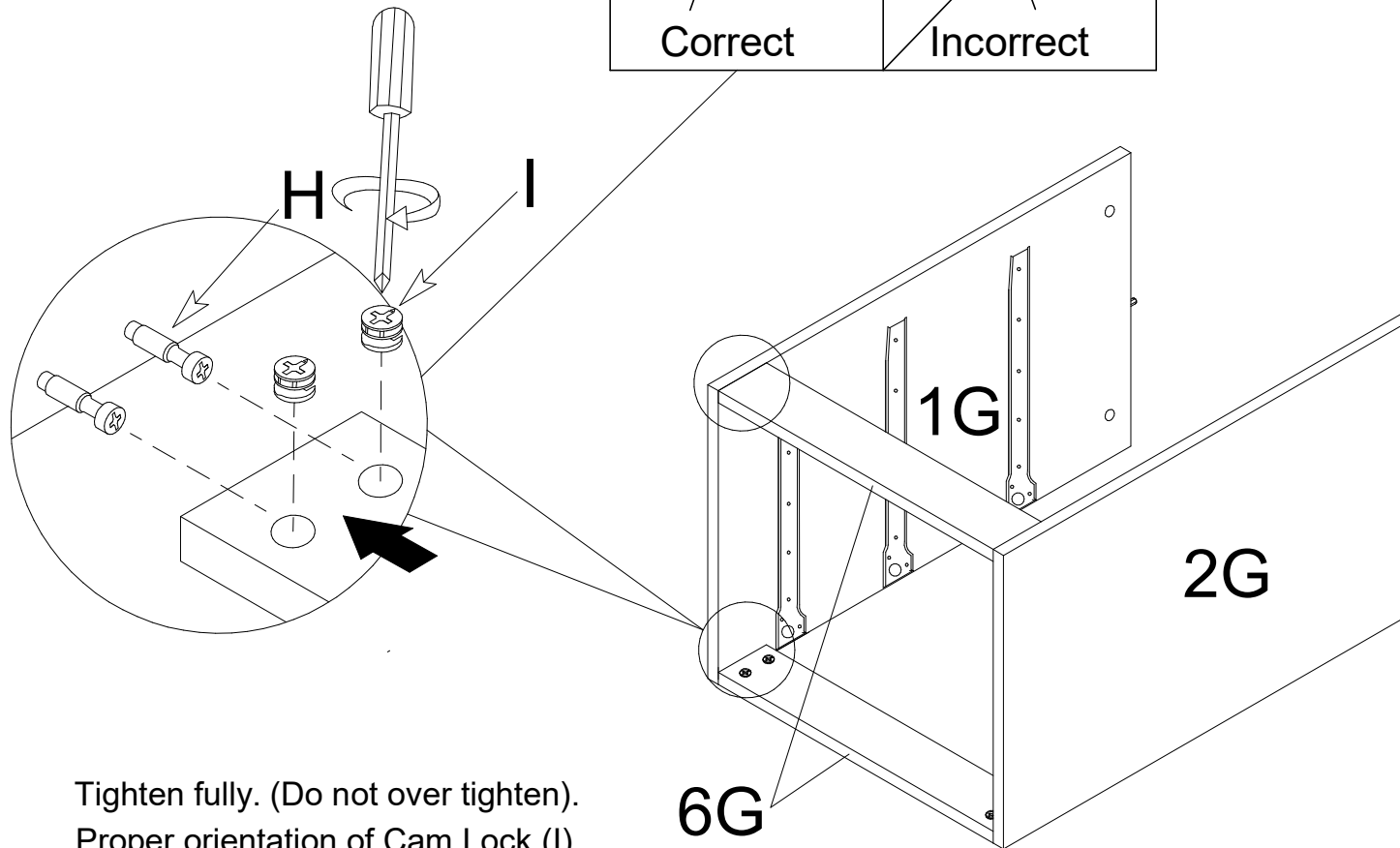
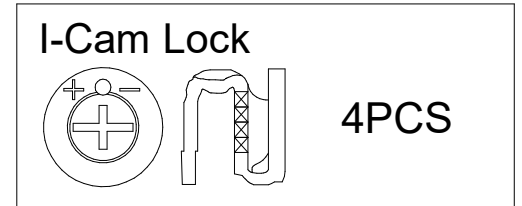
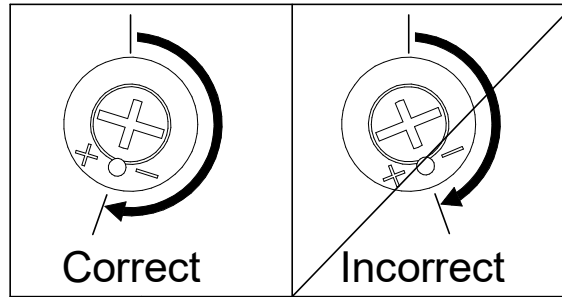
Tighten fully. (Do not over tighten).
Proper orientation of Cam Lock (I).
1/2 turn to fully lock.



ASSEMBLY INSTRUCTION

MODEL : BOSTON (NIGHT STAND)

STEP 13.

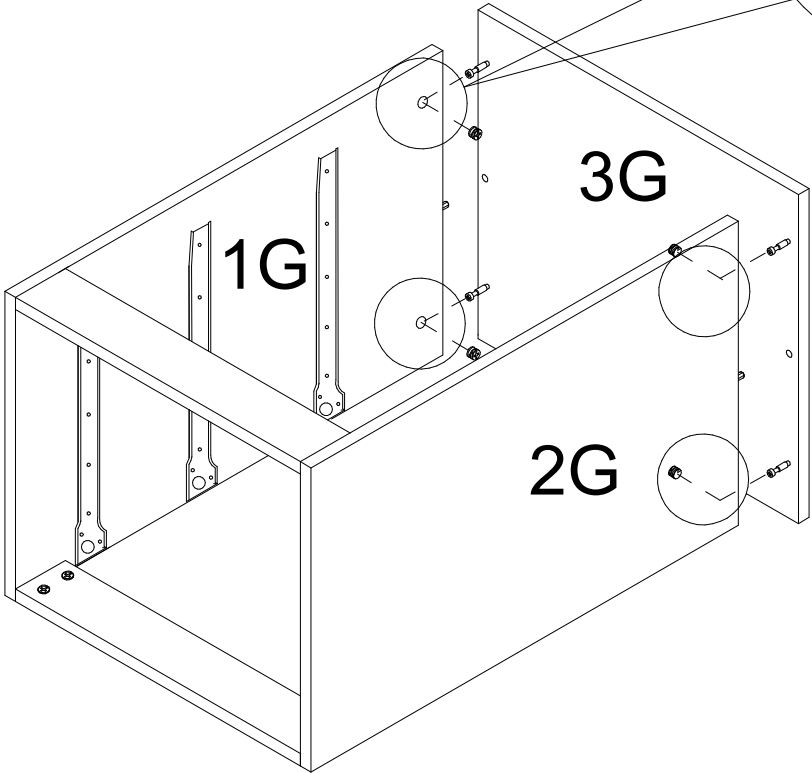
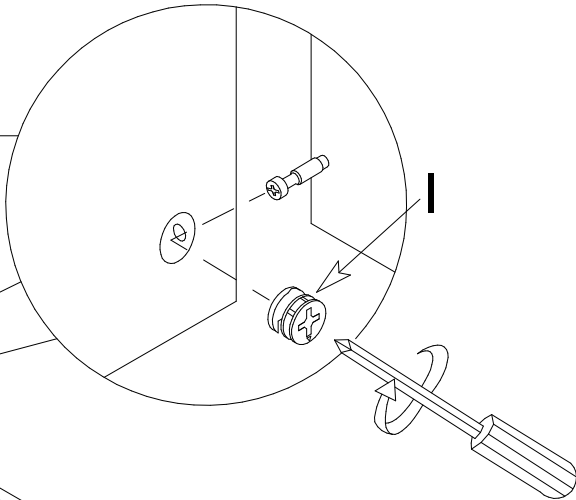
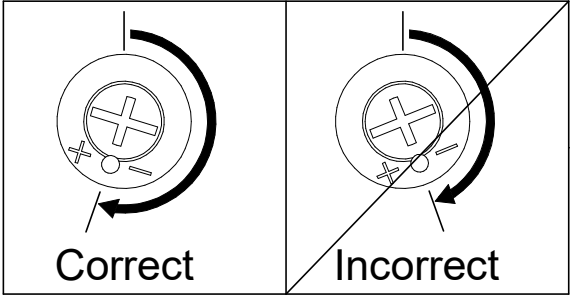
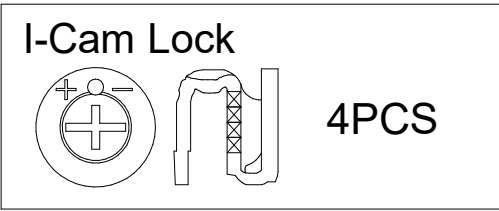


Tighten fully. (Do not over tighten).
Proper orientation of Cam Lock (I).
1/2 turn to fully lock.

ASSEMBLY INSTRUCTION

MODEL : BOSTON (NIGHT STAND)

STEP 14.

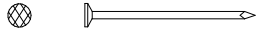
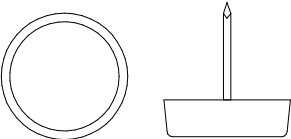


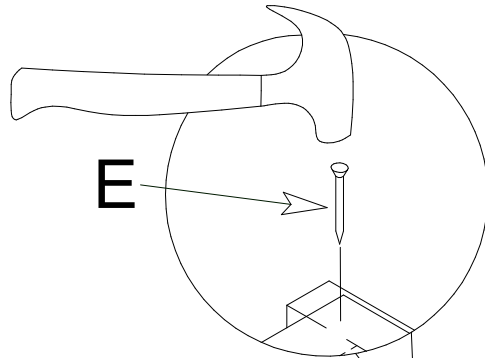
Tighten fully. (Do not over tighten).
Proper orientation of Cam Lock (I).
1/2 turn to fully lock.

ASSEMBLY INSTRUCTION

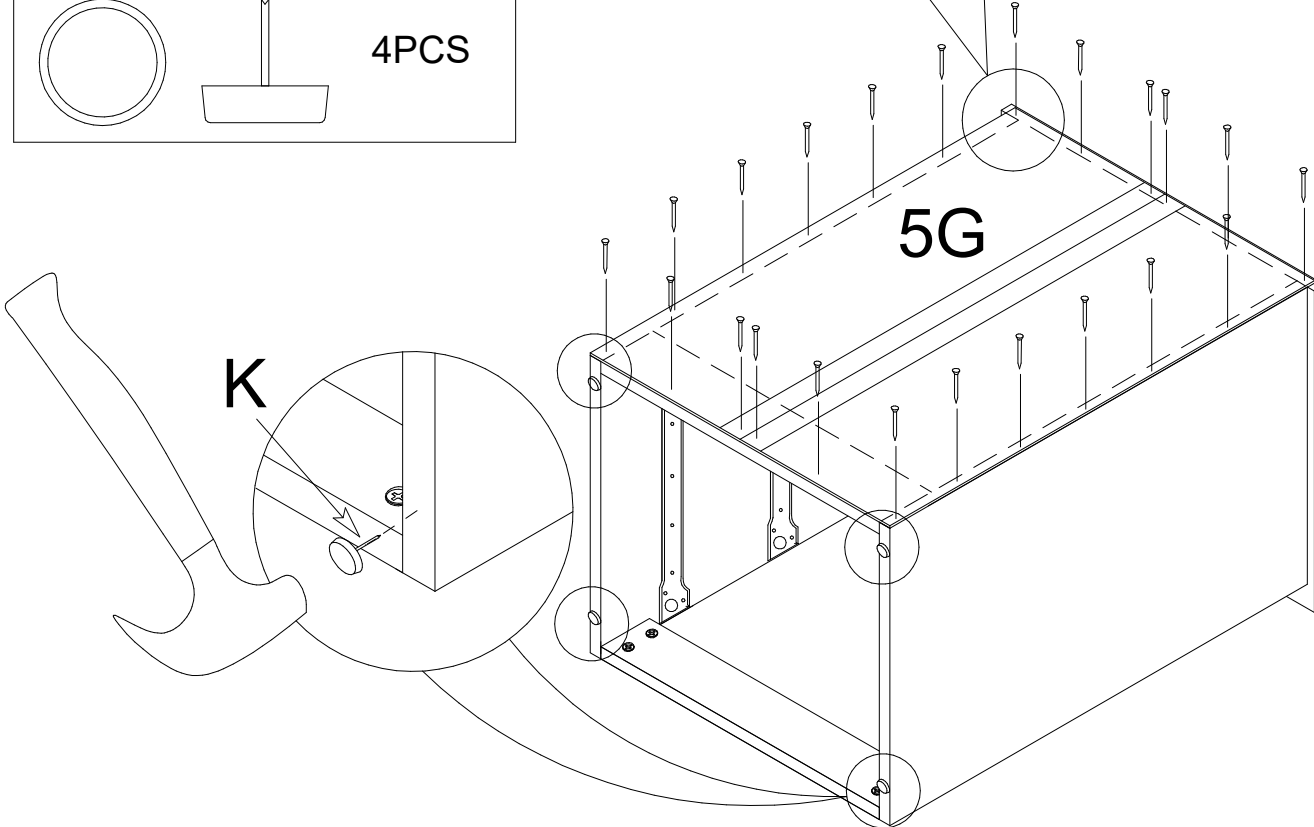
MODEL: BOSTON (NIGHT STAND)

STEP 15.

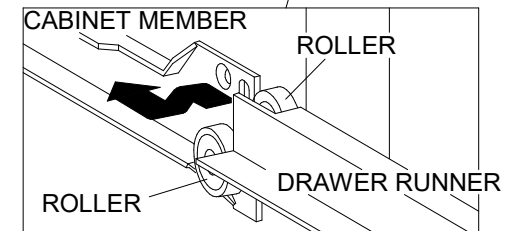
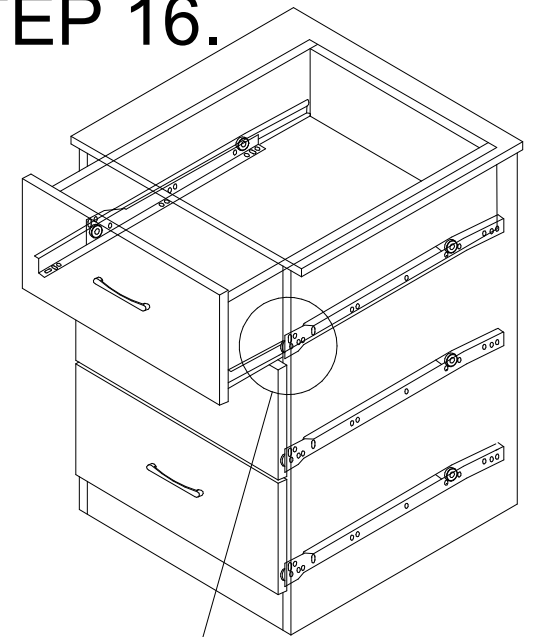
E-Nail		22PCS
		
K-Nail Leg With Pin		4PCS
		



Please make sure unfinished surface facing upwards before hammering the nails.



STEP 16.



Put in drawer on the track.