

Assembly Instructions

Return Policy

We believe you will absolutely love your table. But if for some reason you want to return, please contact us directly before you decide to return your product.

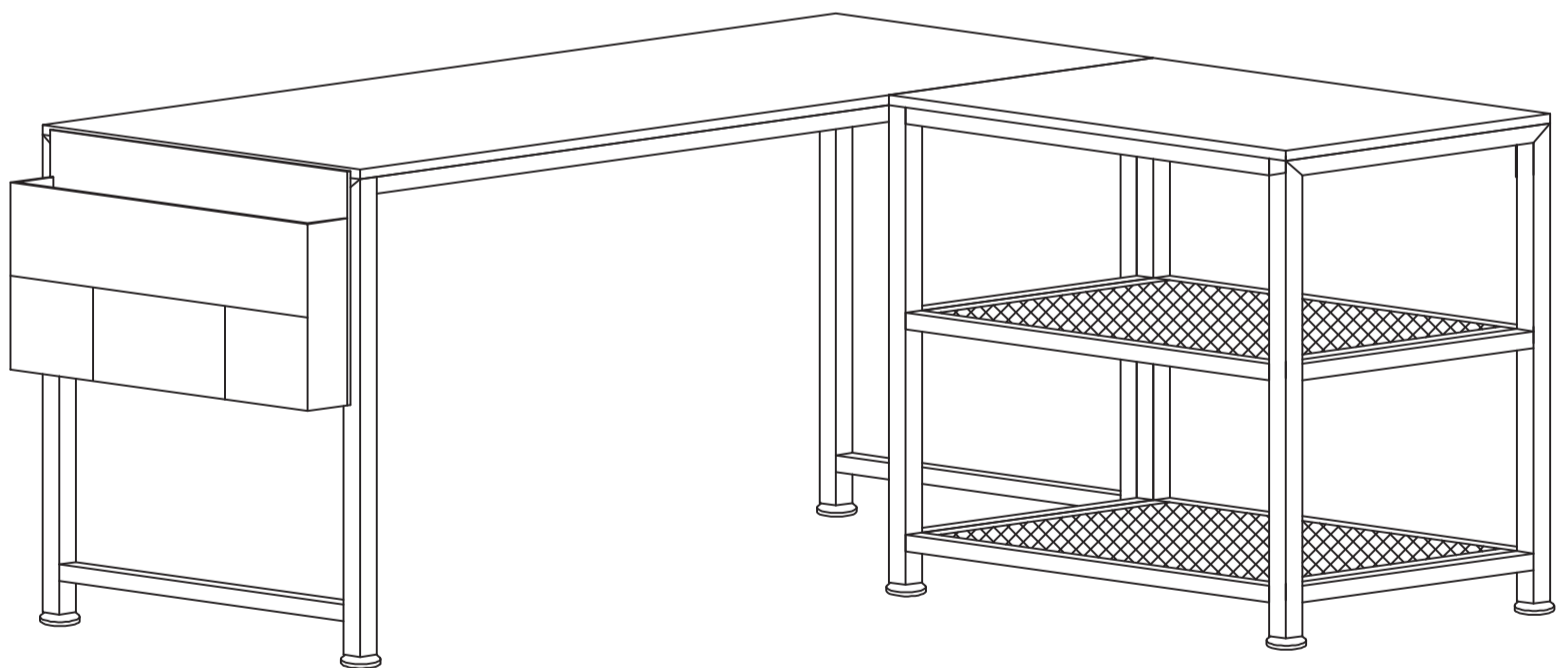
The item must be returned within 30 days of delivery for a full refund. The item must be returned in good condition, in original box, with all original proof of purchase, parts and accessories.

Tips!

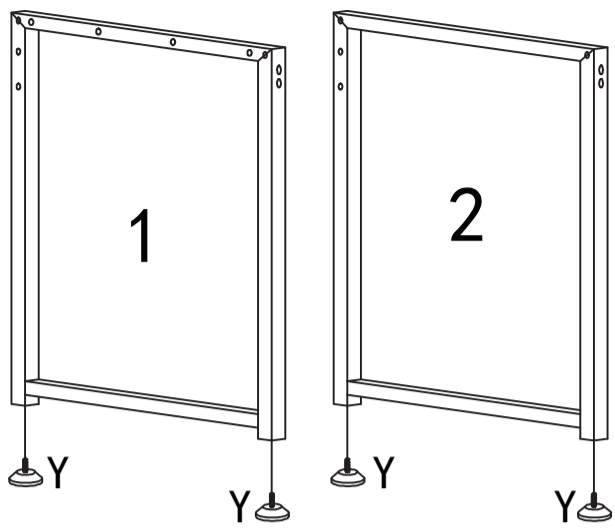
Check all the components & screws before assembly.

1		1	6		2	B		M5X60	4
2		1	7		1	G		M6X35	16
3		2	8		1	H		M6X40	11
4		2	9		1	K		M6X60	2
5		1	10		1	L		M6X70	3
			11		1	V		M6	8
						Y		M8	7
						#			2

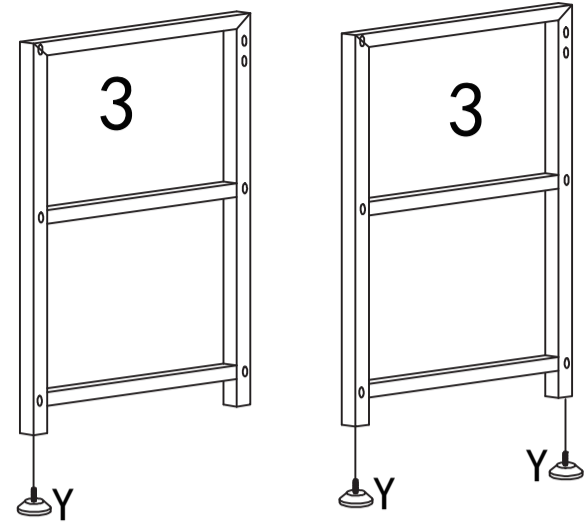
Assembly instructions (shelf on the right side)



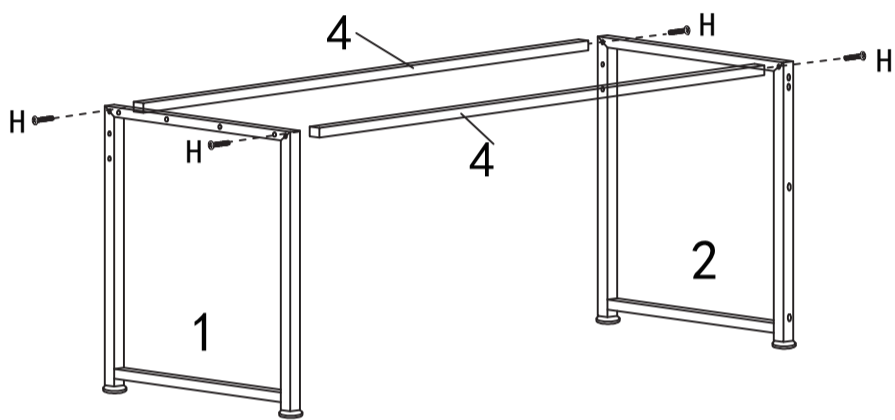
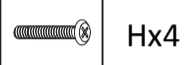
1 Adjustment feet assembly



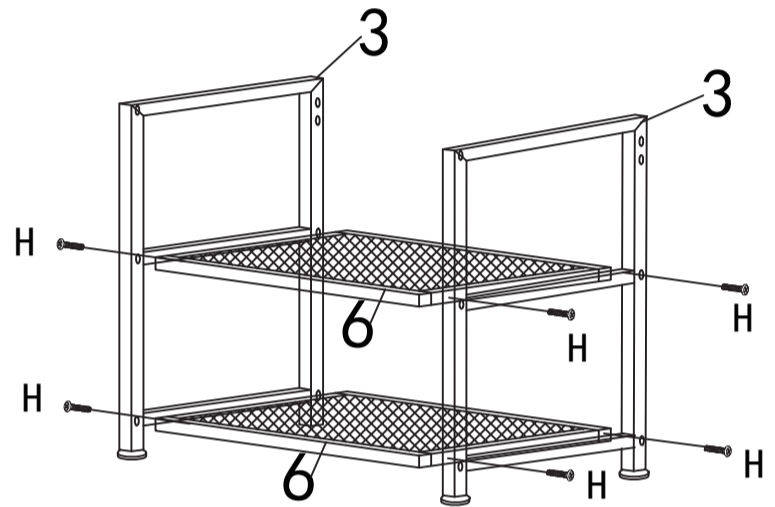
2 Adjustment feet assembly



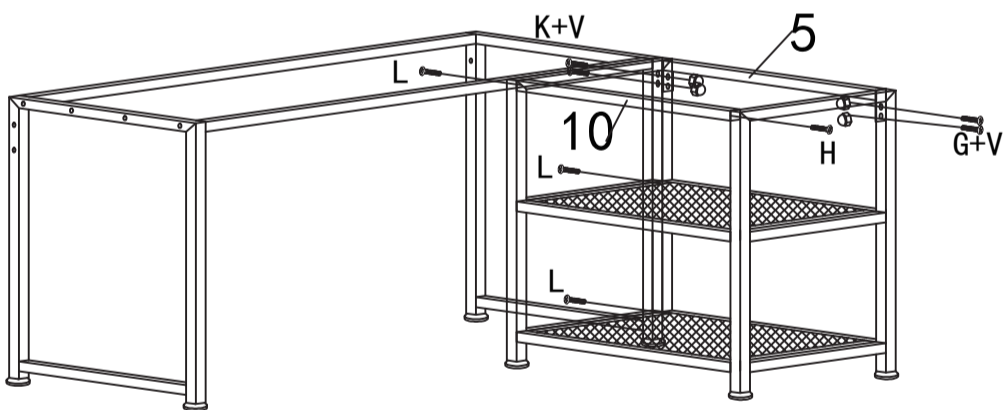
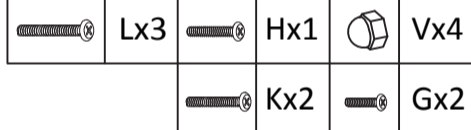
3 Connect ① & ② with ④



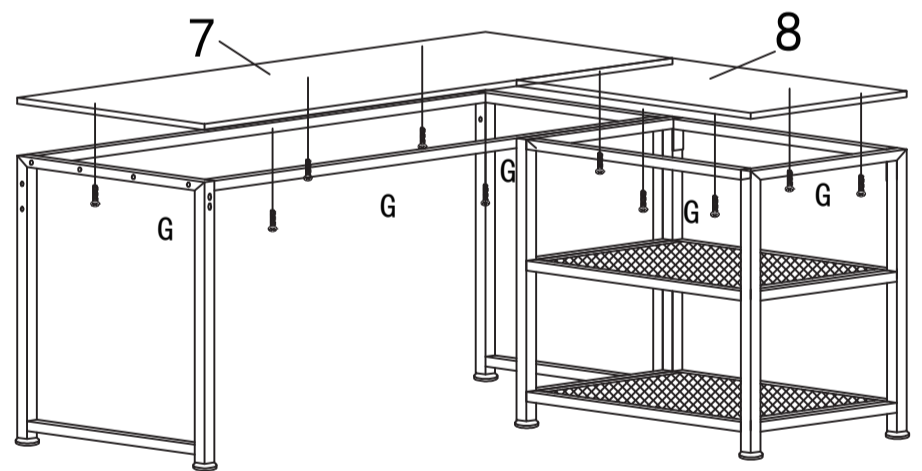
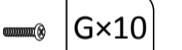
4 Connect ③ with ⑥



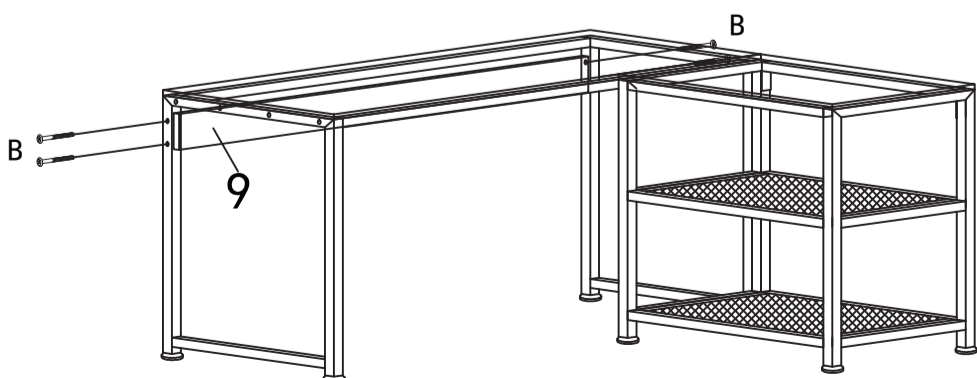
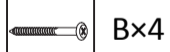
5 Connect desk and shelf with ⑤ and ⑩



6 Top board assembly



7 Assembly ⑨



8 Assembly ⑪

