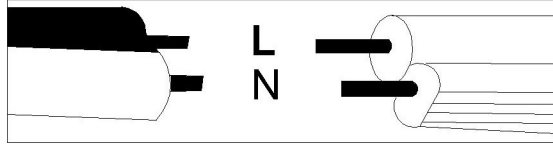


WIRE CONNECTION DIAGRAM

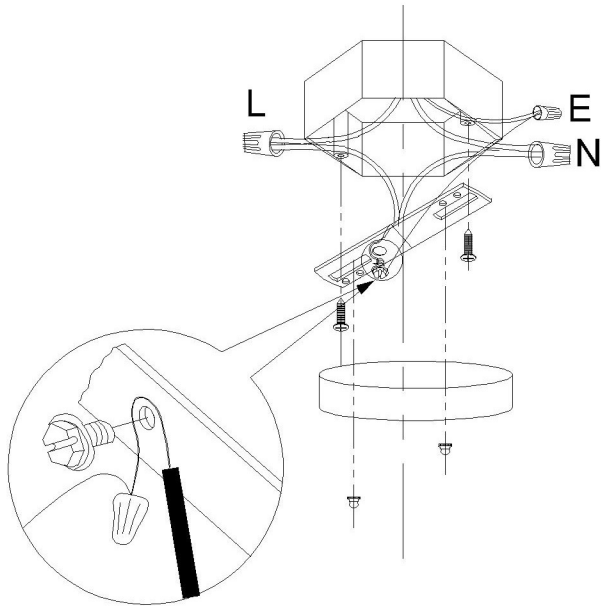
Wires met safety standards are recommended to connect the supply circuit.

CAUTION: Risk of fire

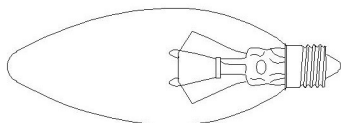


CANOPY INSTALLATION INSTRUCTIONS

Please read all instructions carefully. Before you proceed to install, make sure that the power supply is turned off and remains off until installation is complete.



Light Bulb (Not included)



E12

USER MANUAL FOR MODEL# B211-KM-575

Thank you for your purchase.

For questions or assistance on assembly, parts or installation, please contact customer support:

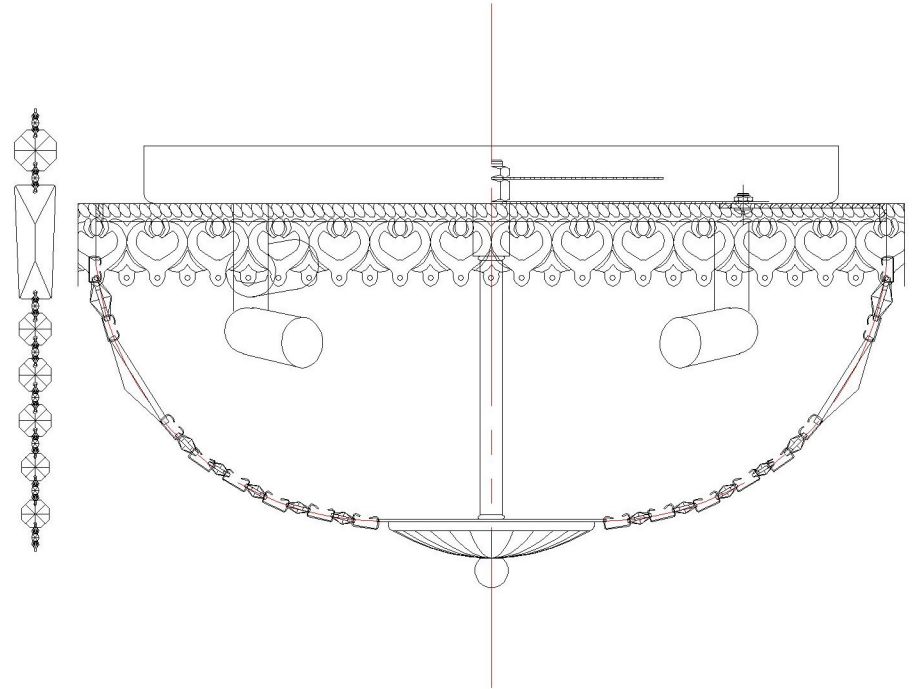
Email: service@jojospring.com

Website: www.jojospring.com

We prefer email, so we can keep a record, but please provide your phone number in the email. All emails will be answered within 24 hours. For hard to explain problems, it will be helpful if you could send us a few pictures.

If there are broken or missing parts, we will ship you the replacement parts immediately.

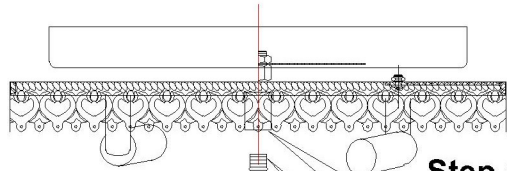
We involve the factory technicians directly in the support. You can be assured you will be dealing with the experts.



(Rated 110-130V/60Hz, bulb 40W-60W maximum.)

Assembly and Installation Steps

2016-5-15



Step 1

Connect the threaded long rod to the threaded iron part.

Step 2

2A. Lock the crossbar to the junction box of the ceiling by using 2 pcs of 5/32 screws in the accessories bag.
2B. Connect the wires. The hot/positive (+) wire is the one which has writing on it. The negative (-) wire is the one which has no writing.

Step 3

There are 2 screws and 2 nuts in the plastic bag. Hang the lamp to the ceiling by attaching the screws to the nuts.

Step 4

Install 3 E12 bulbs (Not included).

Step 5

Hang the crystals from the metal ring.

Please note: The parts in this table are completely unassembled, for illustrative purpose. In the actual product that you receive, some parts are assembled and attached together.

