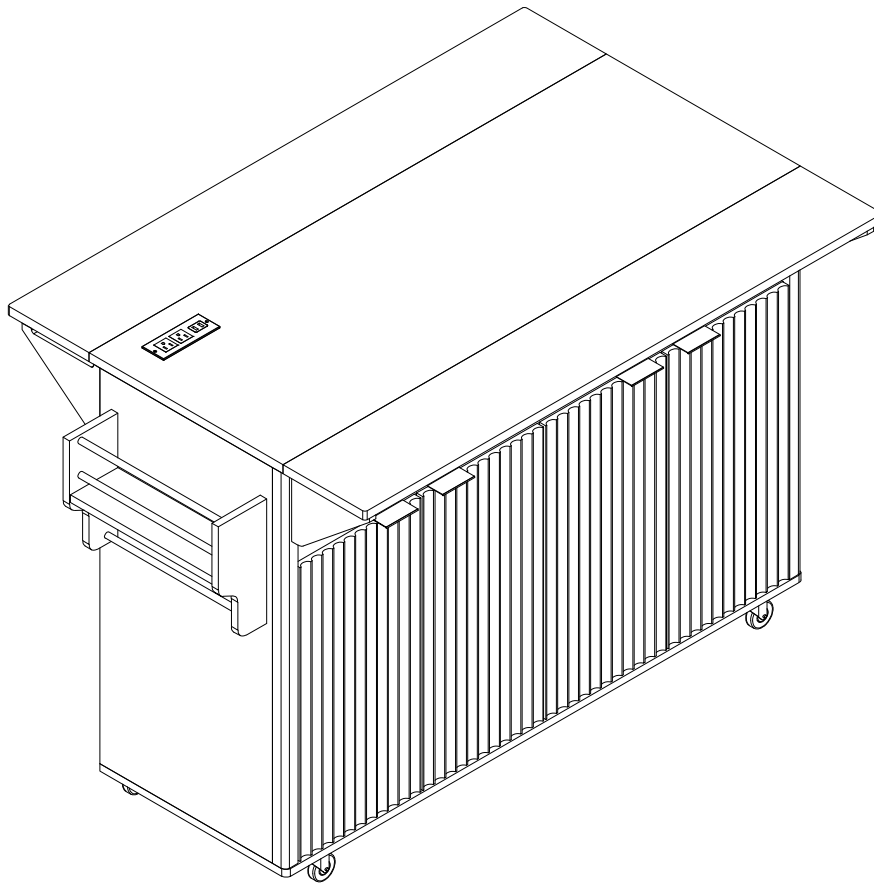


Kitchen Island Carts

Assembly Instructions - Please keep for future reference



Dimensions

Width-55.5inch

Depth-7.5inch+17.75inch
+7.5inch

Height-35.9inch

Important – Please read these instructions fully before starting assembly

Issue 1 - 08/23/25



Safety and Care Advice

Important – Please read these instructions fully before starting assembly

- Check you have all the components and tools listed on the following pages.
- Remove all fittings from the plastic bags and separate them into their groups.
- Keep children and animals away from the work area, small parts could choke if swallowed.
- Make sure you have enough space to layout the parts before starting.

- During assembly do not stand or put weight on the product, this could cause damage.
- Assemble the item as close to its final position (in the same room) as possible.
- Assemble on a soft level surface to avoid damaging the unit or your floor.
- Parts of the assembly will be easier with 2 people.



power drill is set on a low torque setting.

- To reduce the likelihood of damaging your product please ensure that your

Care and maintenance

- Only clean using a damp cloth and mild detergent, do not use bleach or abrasive cleaners.

- From time to time check that there are no loose screws on this unit.

- This product should not be discarded with household waste. Take to your local authority waste disposal centre.

Handy Hints

- Assemble all parts and bolts loosely during assembly, only once the product is complete should you fully tighten the bolts

- Regularly check and ensure That all bolts and fittings are tightened properly.

WARNING In order to help prevent overturning – please follow these instructions

To help prevent product toppling over please follow the below steps:-

- Use the anti tip strap or wall fixing method provided (if applicable)
- Do not allow children to climb or hang on the furniture
- Do not open more than one drawer at a time
- Do not place heavy items in the top drawers
- Do not place heavy items on top of the furniture, unless the furniture has been designed for this purpose

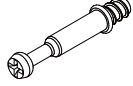

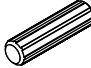

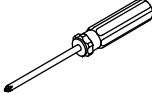
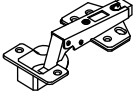
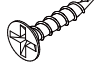
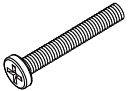

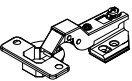
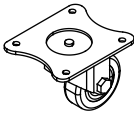
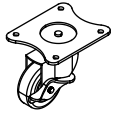
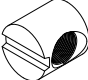
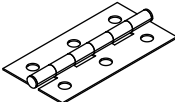
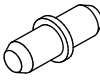
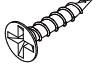
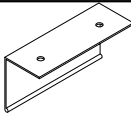
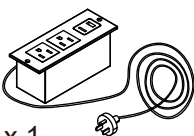
Please note that only the anti tip strap is provided.

You will need to provide wall plugs and screws applicable for your wall type

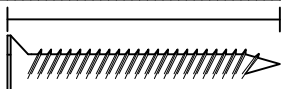
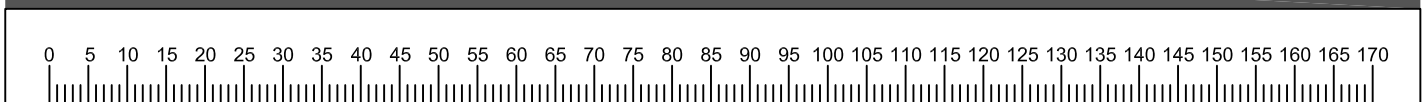
Components - Fittings

Please check you have all the panels listed below

Note: The quantities below are the correct amount to complete the assembly. In some cases more fittings may be supplied than are required.

<p>(A) </p> <p>Cam Bolt x 24</p>	<p>(B) </p> <p>Cam lock x 24</p>	<p>(C) </p> <p>6*30mm Dowel x 30</p>	<p>(D) </p> <p>4*35mm Screw x 14</p>
<p>(E) </p> <p>Screwdriver x 1</p>	<p>(F) </p> <p>Hinge x 4</p>	<p>(G) </p> <p>3.5*12mm Screw x 2</p>	<p>(H) </p> <p>6*50mm Screw x 4</p>
<p>(I) </p> <p>6*14mm Screw x 20</p>	<p>(J) </p> <p>Hinge x 4</p>	<p>(K) </p> <p>Caster x 3</p>	<p>(L) </p> <p>Locking caster x 2</p>
<p>(M) </p> <p>Nut x 4</p>	<p>(N) </p> <p>hinge x 14</p>	<p>(O) </p> <p>Pivot x 8</p>	<p>(P) </p> <p>3.5*12mm Screw x 140</p>
<p>(Q) </p> <p>Hold hands x4</p>	<p>(R) </p> <p>Pulley x 1</p>		

Ruler - Use this ruler to help correctly identify the screws



The screws length is measured from the head to the point (35mm screw shown).

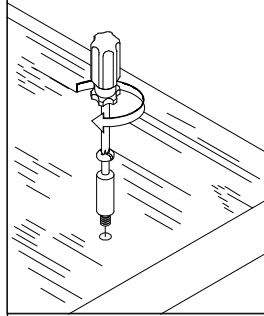
Using Camlocks

Step 1

Connect the male camlock as directed in the assembly instructions using a screwdriver.

1

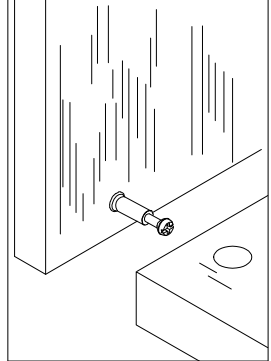
DO NOT OVER TIGHTEN.
NE PAS SERRER EXCESSIVEMENT.



Step 2

Push the male camlock into the entry hole.

2

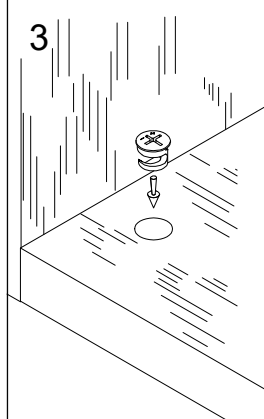


Step 3

Insert the female camlock as shown in the instruction.

Note: ensure that the arrow on the top of the camlock points towards the entry hole for the male camlock.

3



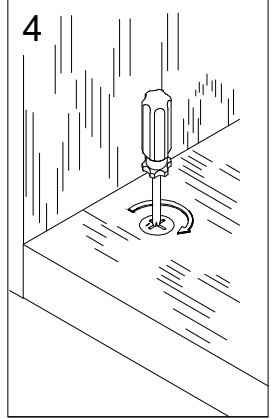
Step 4

Turn the female camlock clockwise with a screwdriver.

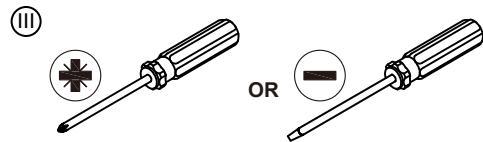
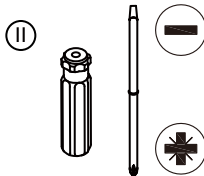
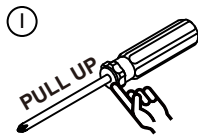
You should feel a click when the camlock is locked in place.

The joint is now secure.

4

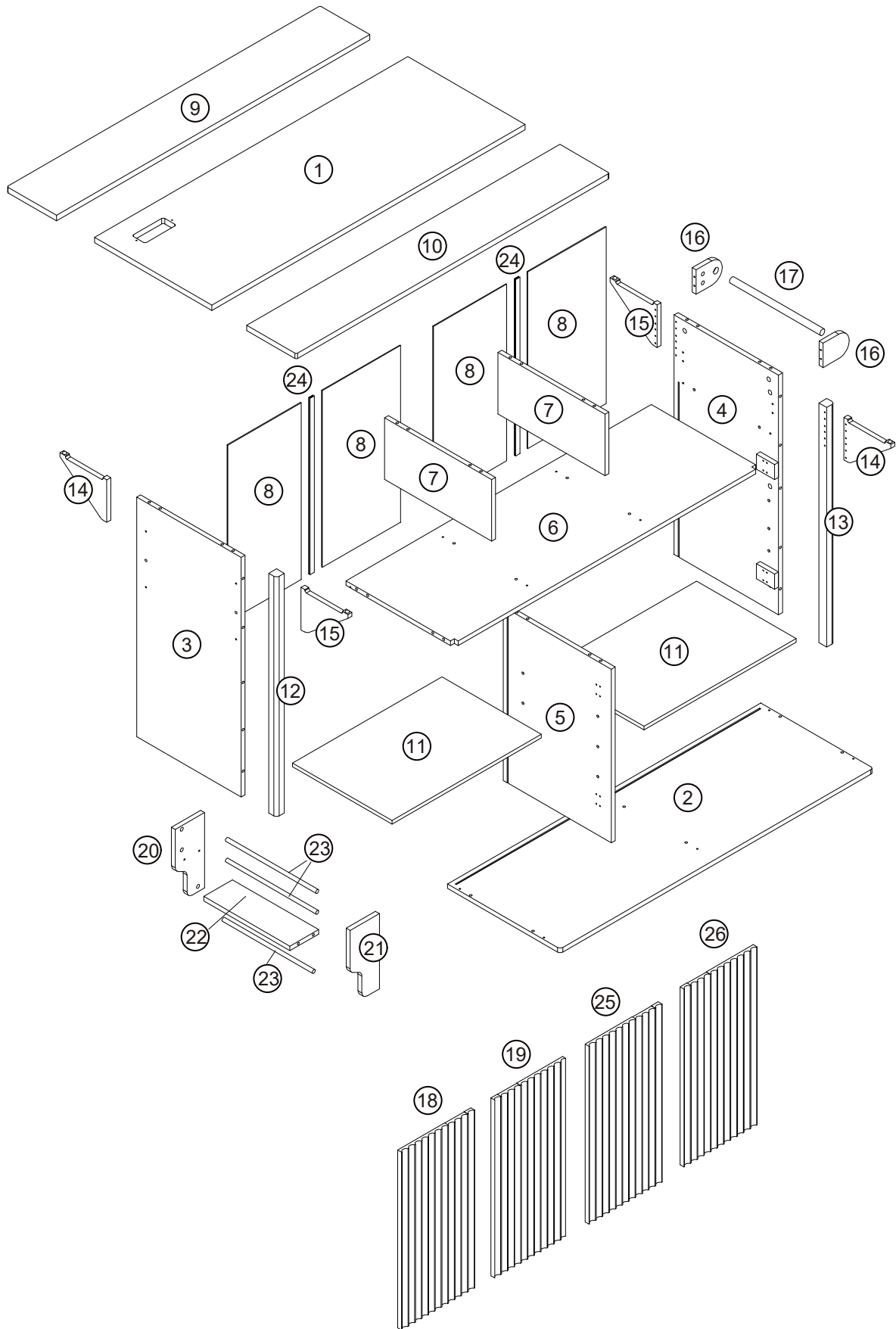


Tools required

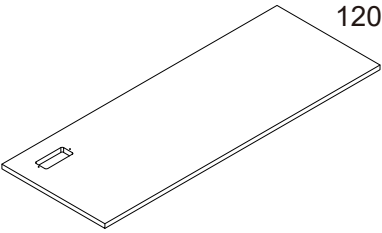
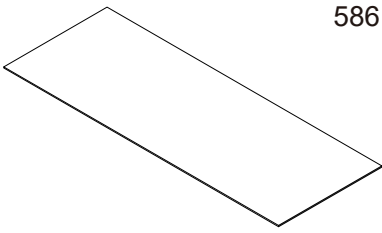
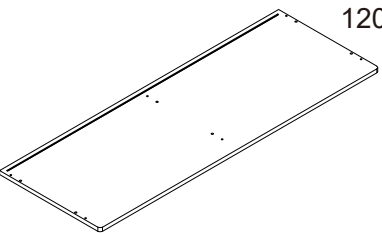
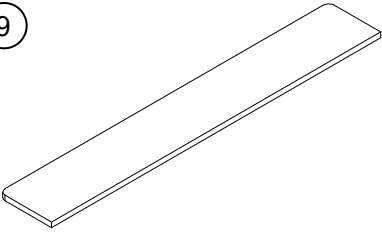
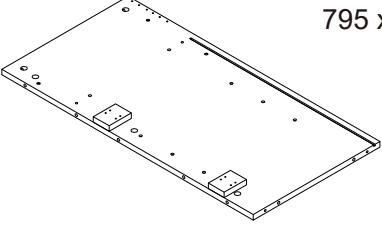
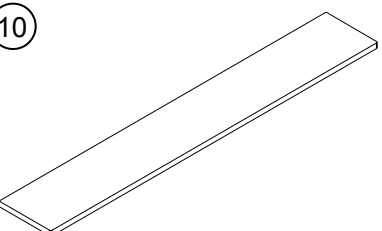
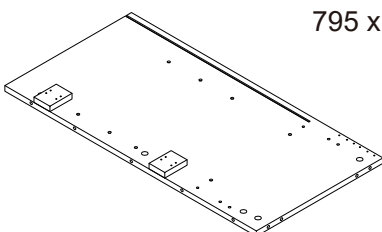
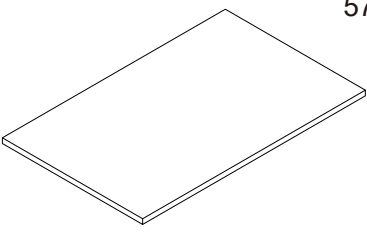
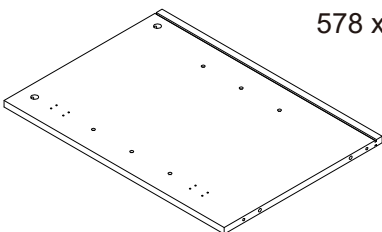
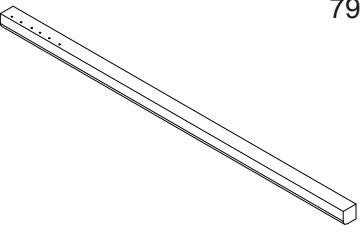
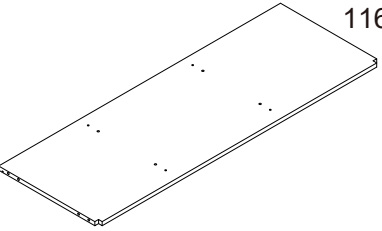
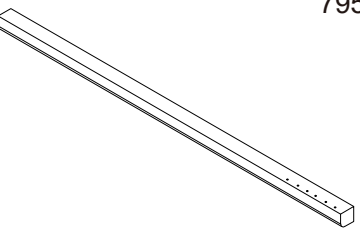
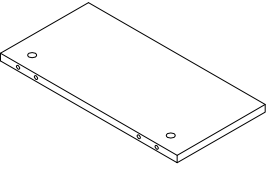
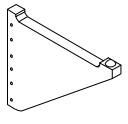


Screwdrivers can be converted to Phillips and Slotted.

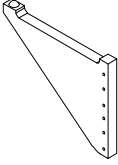
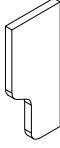
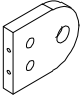
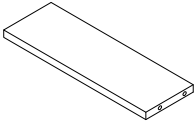
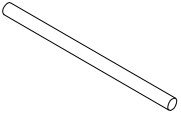
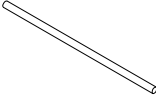
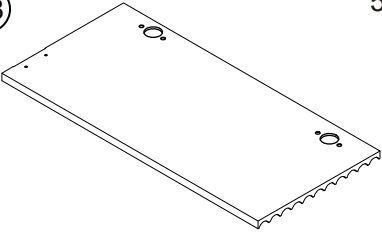
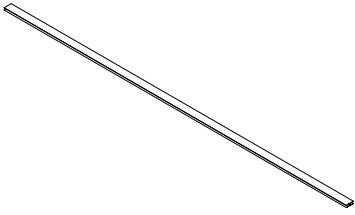
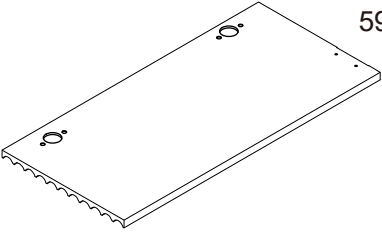
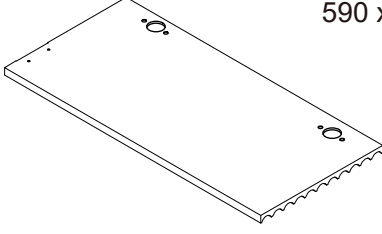

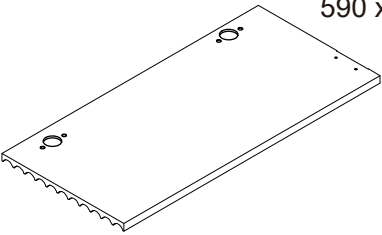
Assembly Instructions



Assembly Instructions

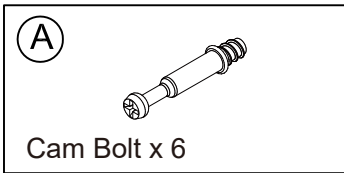
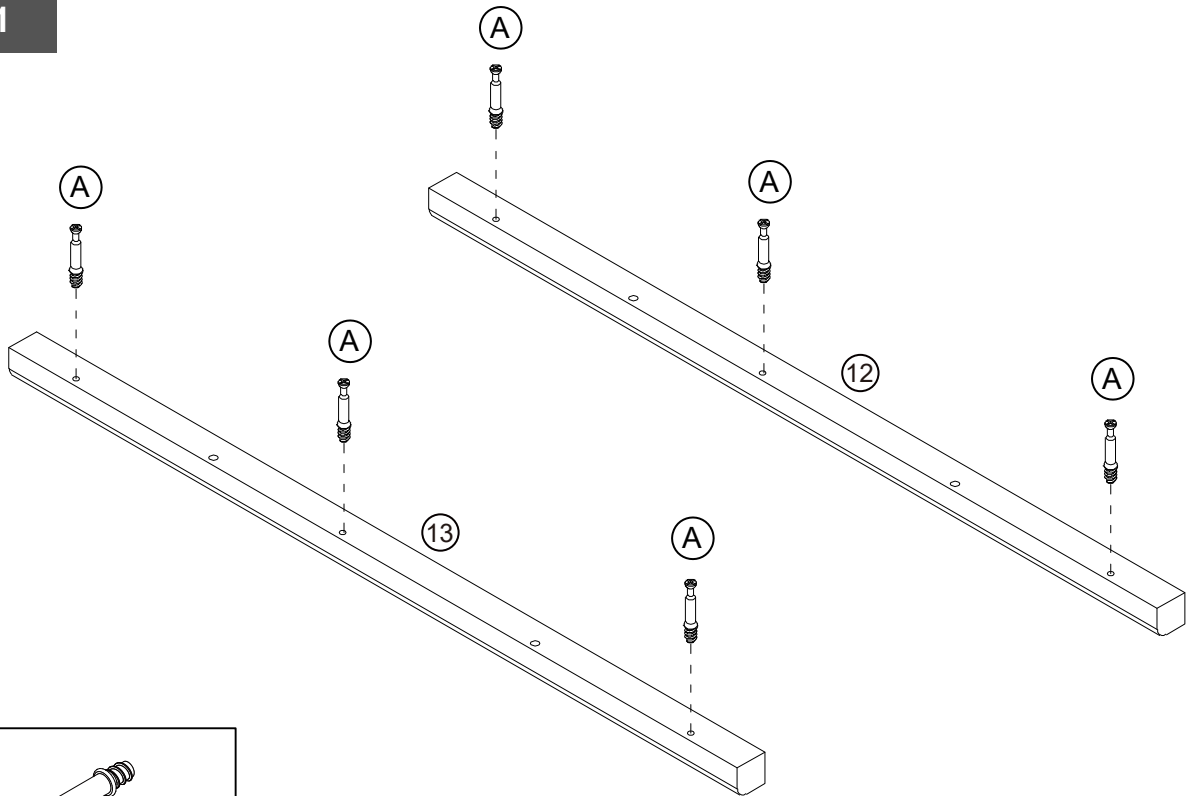
<p>①  1200 x 450 x 18 mm</p> <p>1</p>	<p>⑧  586 x 290 x 3 mm</p> <p>4</p>
<p>②  1200 x 432 x 15 mm</p> <p>1</p>	<p>⑨  1200 x 190x 18 mm</p> <p>1</p>
<p>③  795 x 400 x 30 mm</p> <p>1</p>	<p>⑩  1200 x 190x 18 mm</p> <p>1</p>
<p>④  795 x 400 x 30 mm</p> <p>1</p>	<p>⑪  576 x 374 x 12 mm</p> <p>2</p>
<p>⑤  578 x 414 x 15 mm</p> <p>1</p>	<p>⑫  795 x 31x 30 mm</p> <p>1</p>
<p>⑥  1166x 415 x 15 mm</p> <p>1</p>	<p>⑬  795 x 31x 30 mm</p> <p>1</p>
<p>⑦  204 x 410 x 15 mm</p> <p>2</p>	<p>⑭  180 x 150 x 15 mm</p> <p>2</p>

Assembly Instructions

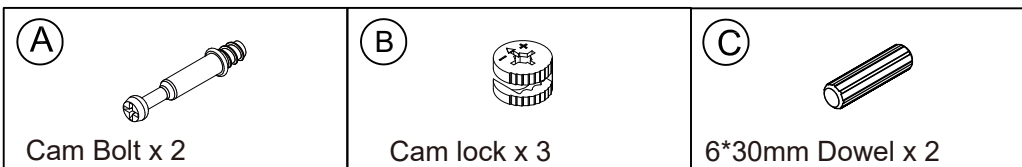
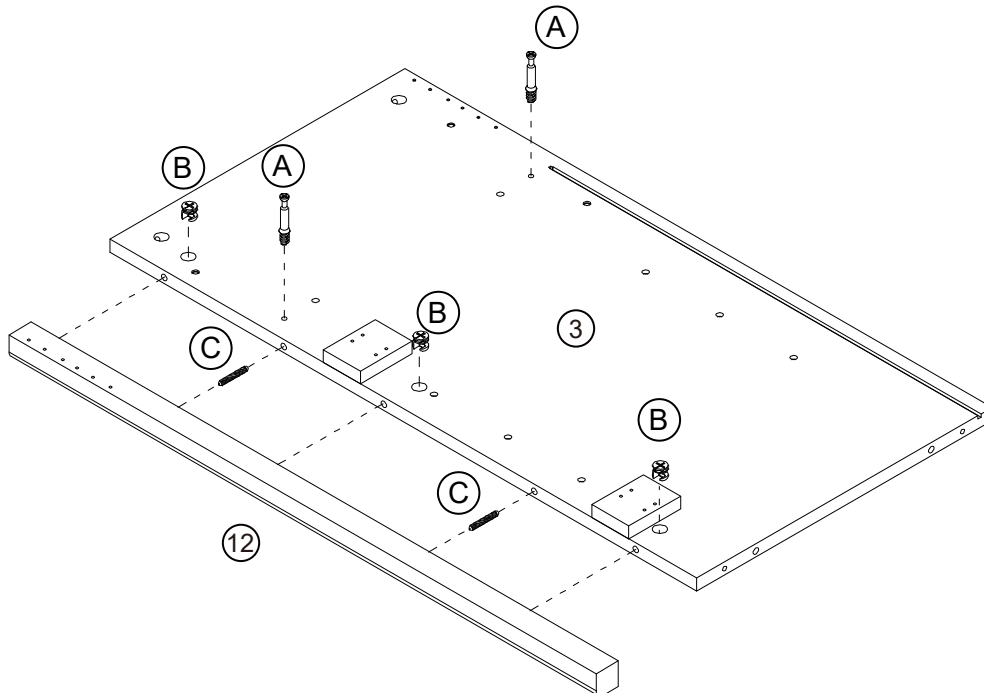
<p>15</p> <p>180 x 150 x 15 mm</p>  <p>2</p>	<p>21</p> <p>250 x 112 x 15 mm</p>  <p>1</p>
<p>16</p> <p>100 x 81 x 15 mm</p>  <p>2</p>	<p>22</p> <p>330 x 110 x 15 mm</p>  <p>1</p>
<p>17</p> <p>346 x 20x 20mm</p>  <p>1</p>	<p>23</p> <p>346 x 12 x 12 mm</p>  <p>3</p>
<p>18</p> <p>590 x 280 x 15 mm</p>  <p>1</p>	<p>24</p> <p>575 mm</p>  <p>2</p>
<p>19</p> <p>590 x 280 x 15 mm</p>  <p>1</p>	<p>25</p> <p>590 x 280 x 15 mm</p>  <p>1</p>
<p>20</p> <p>250 x 112 x 15 mm</p>  <p>1</p>	<p>26</p> <p>590 x 280 x 15 mm</p>  <p>1</p>

Assembly Instructions

Step 1

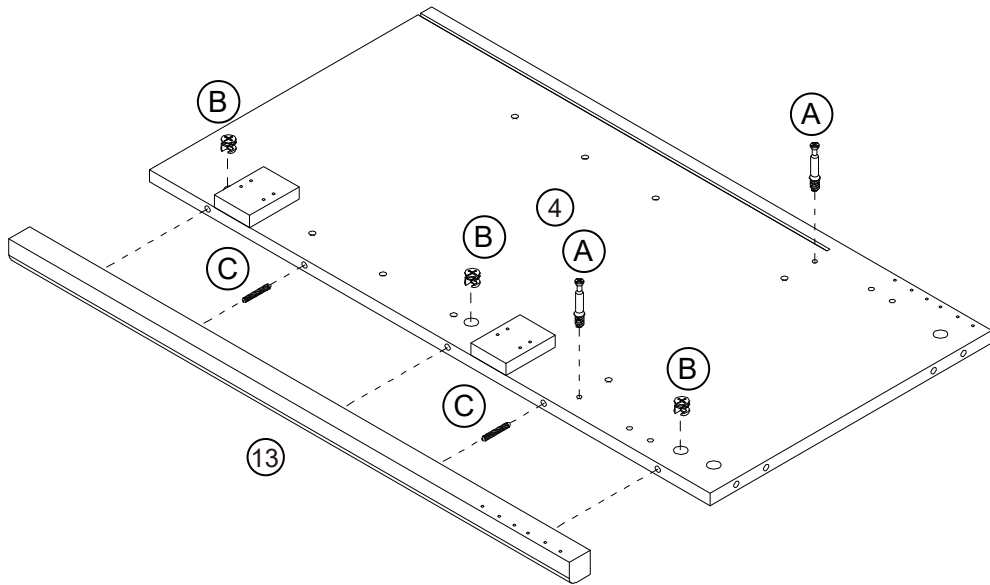


Step 2

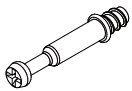


Assembly Instructions

Step 3



(A)



Cam Bolt x 2

(B)



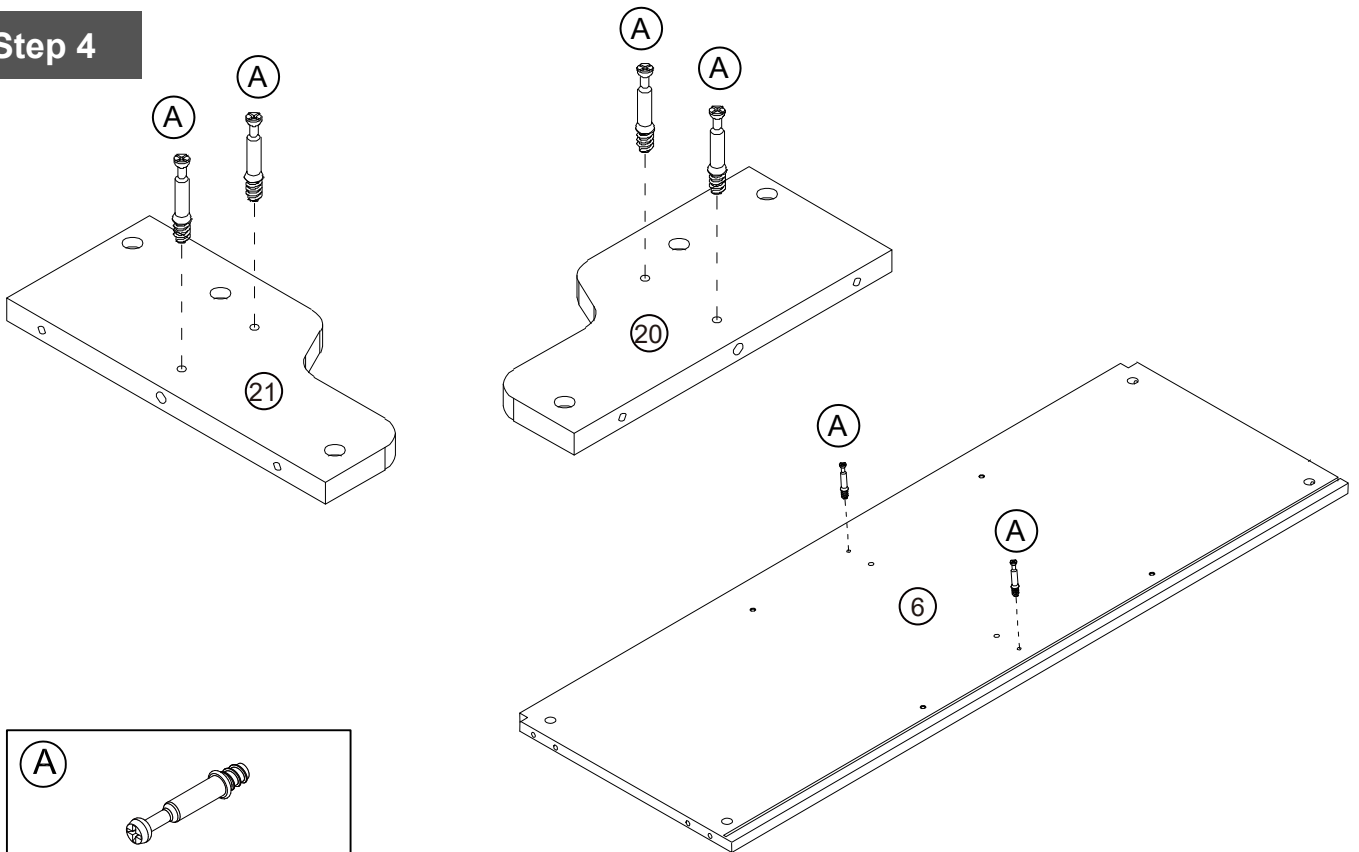
Cam lock x 3

(C)

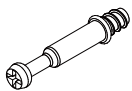


6*30mm Dowel x 2

Step 4



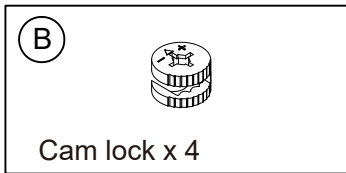
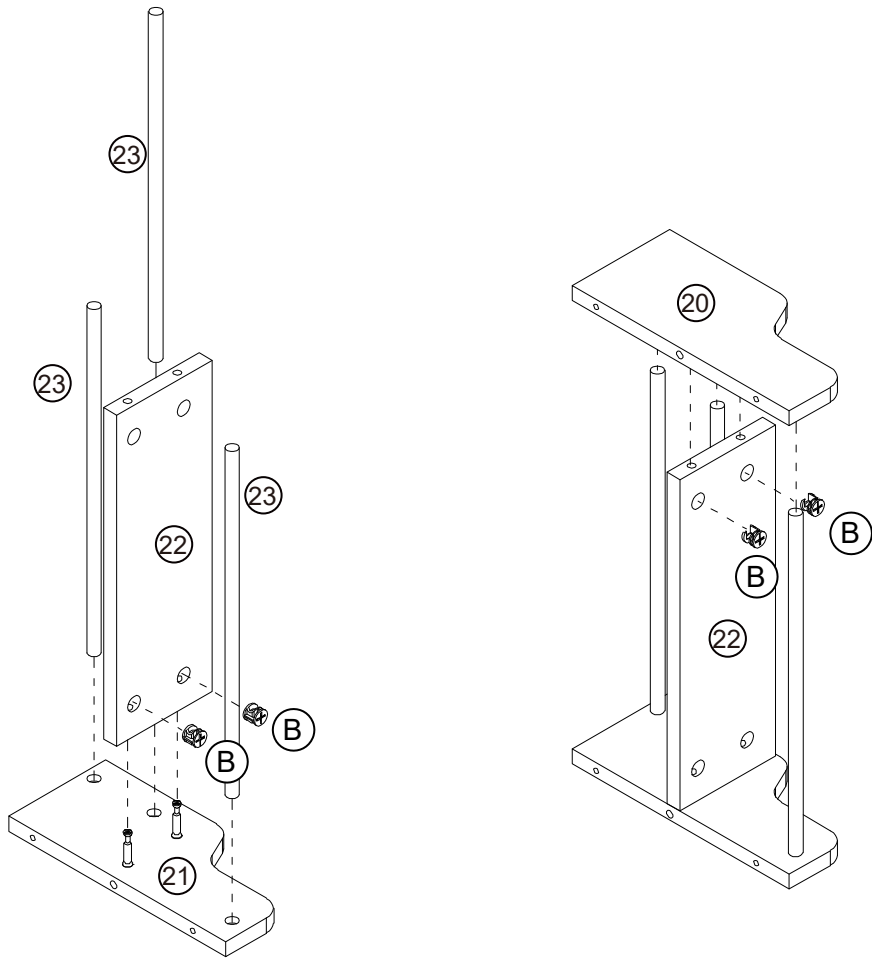
(A)



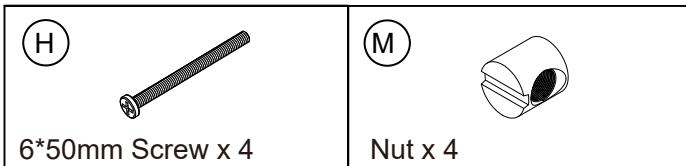
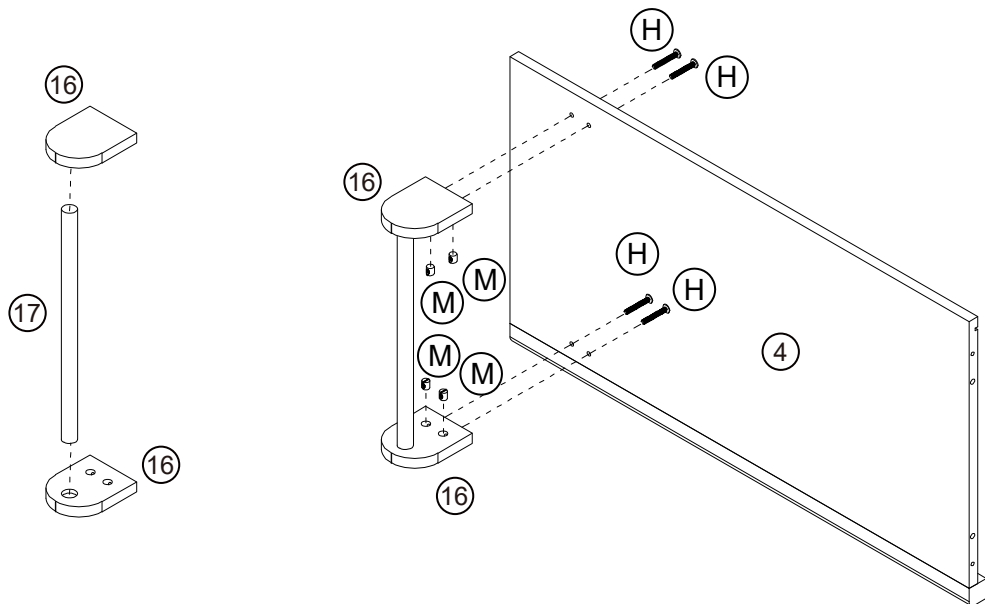
Cam Bolt x 6

Assembly Instructions

Step 5

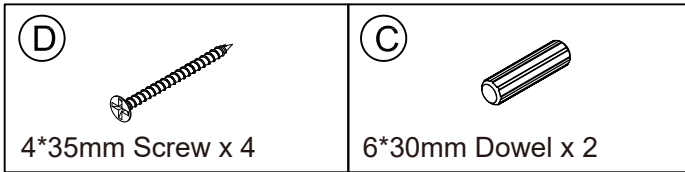
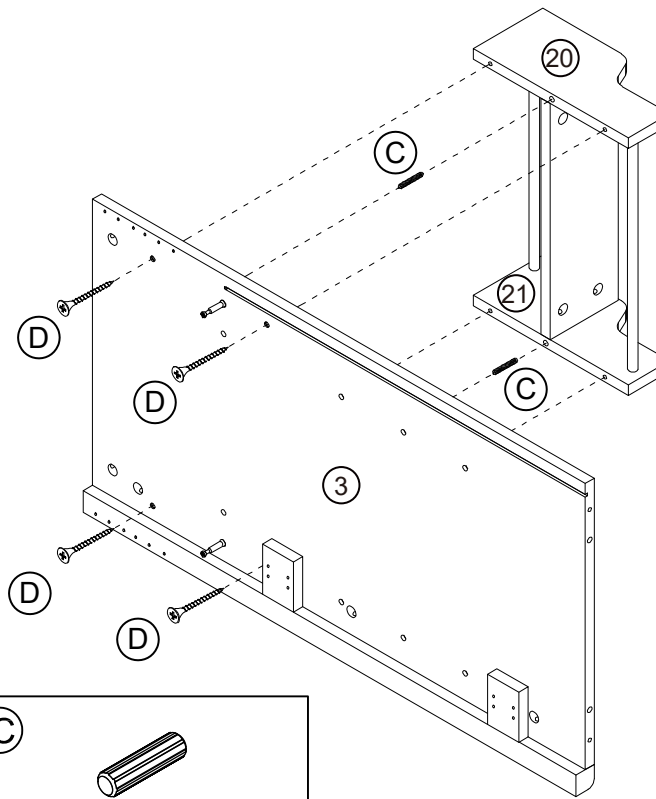


Step 6

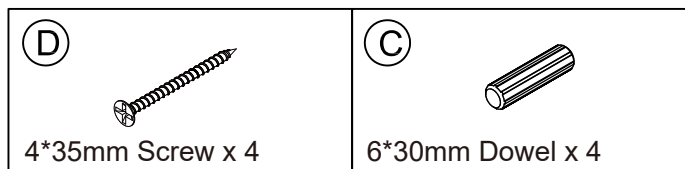
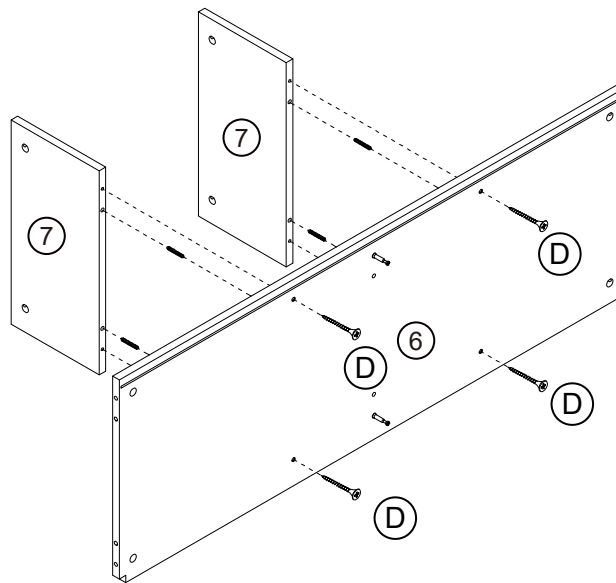


Assembly Instructions

Step 7

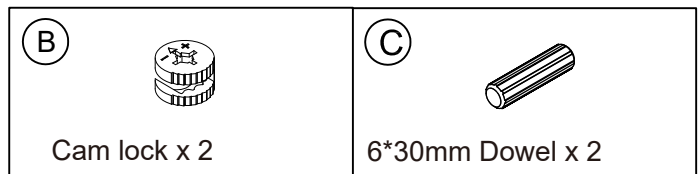
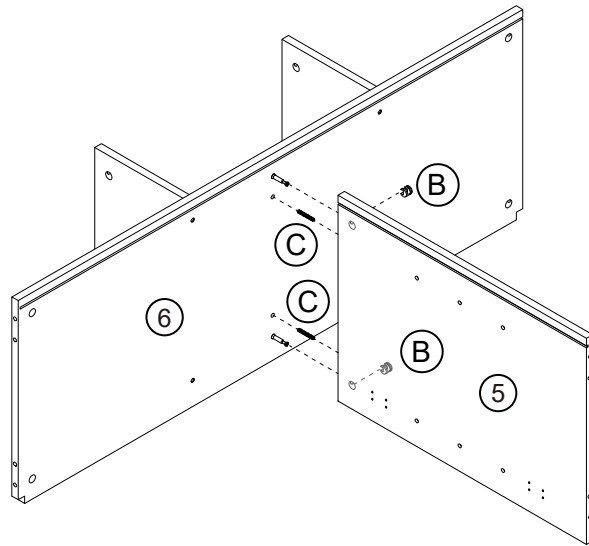


Step 8

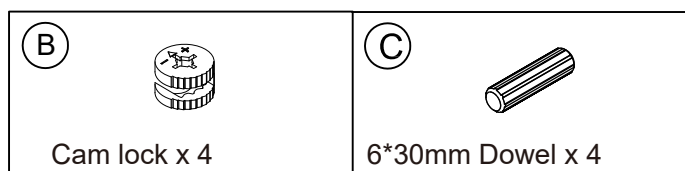
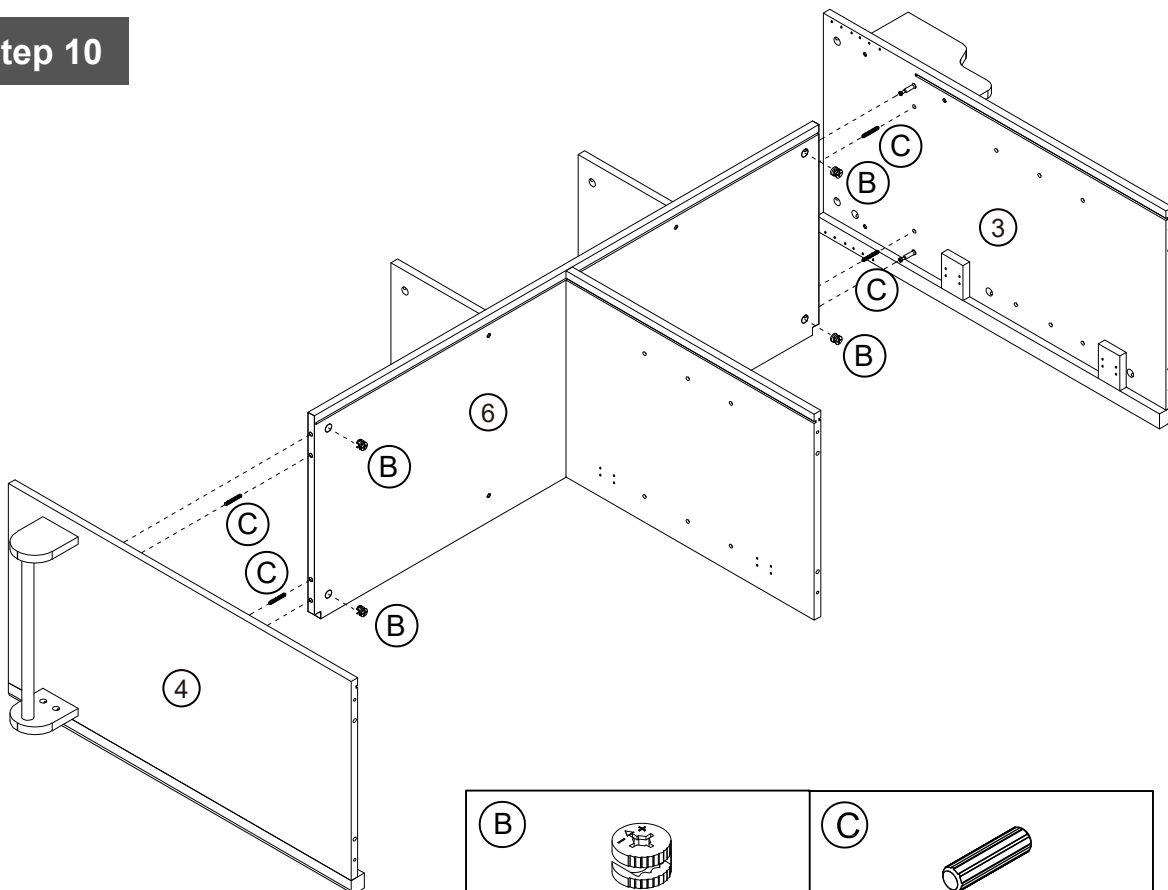


Assembly Instructions

Step 9

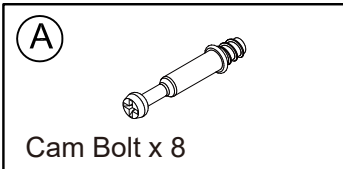
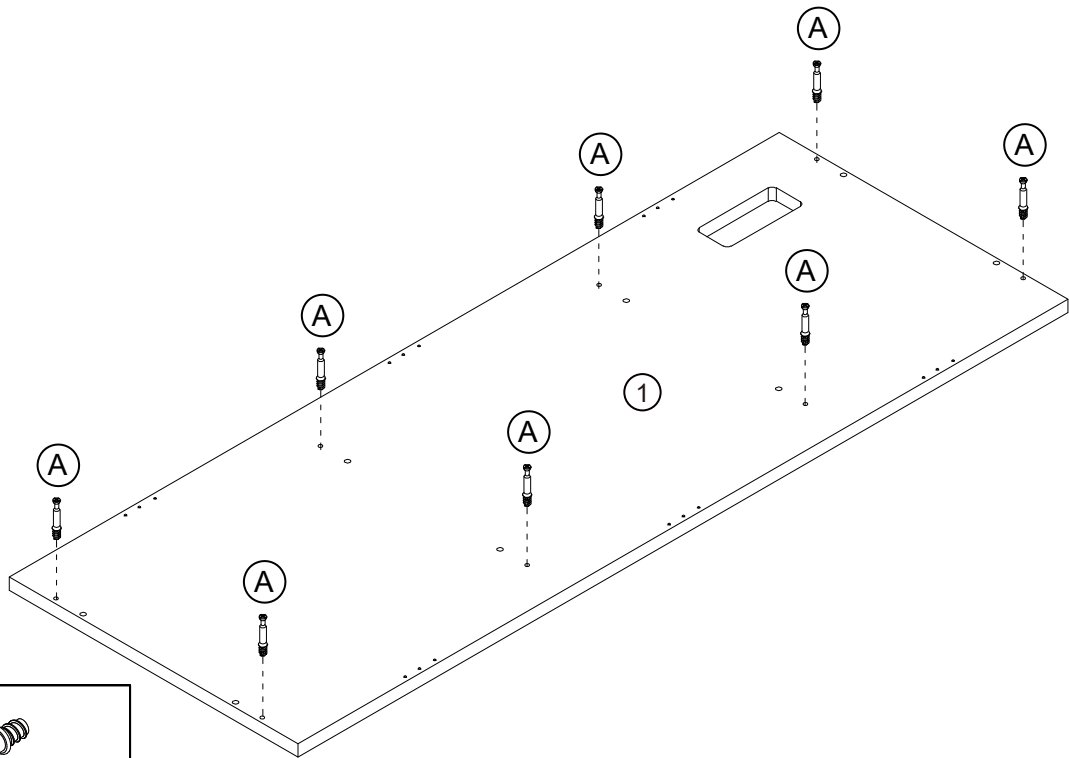


Step 10

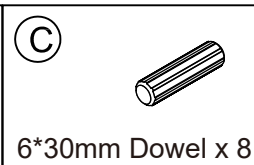
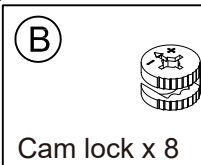
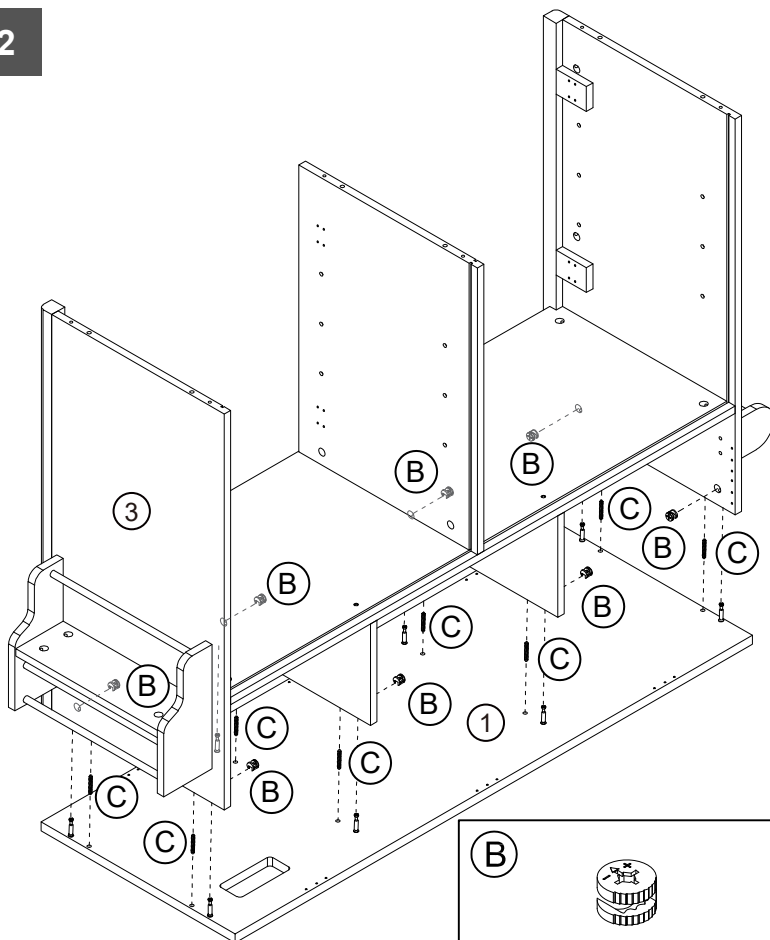


Assembly Instructions

Step 11

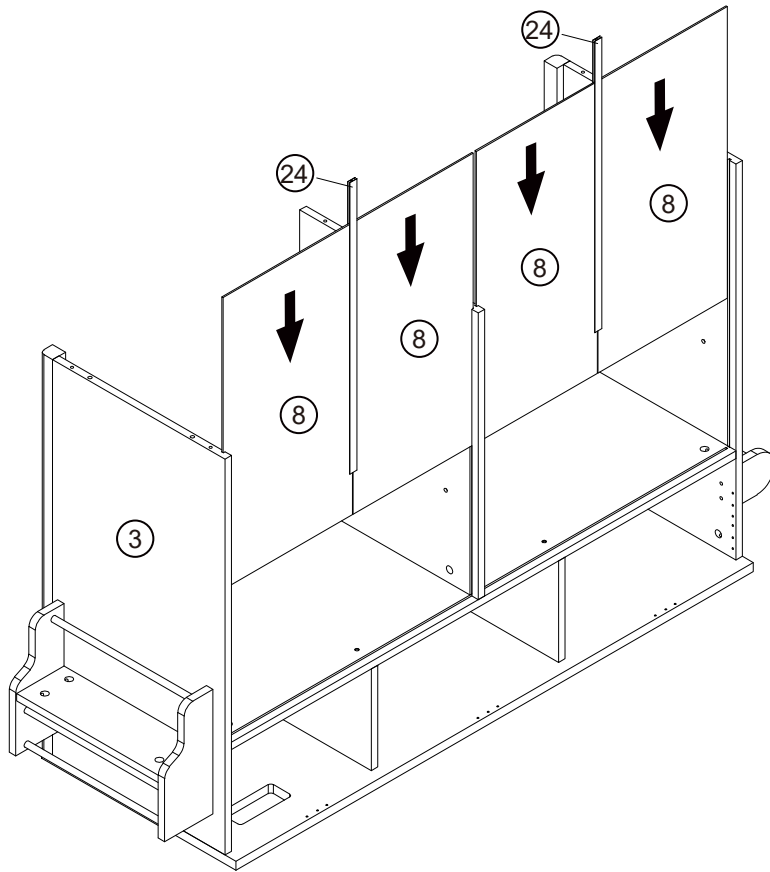


Step 12

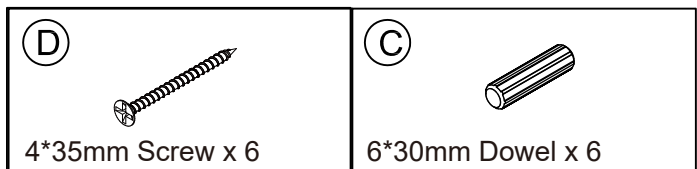
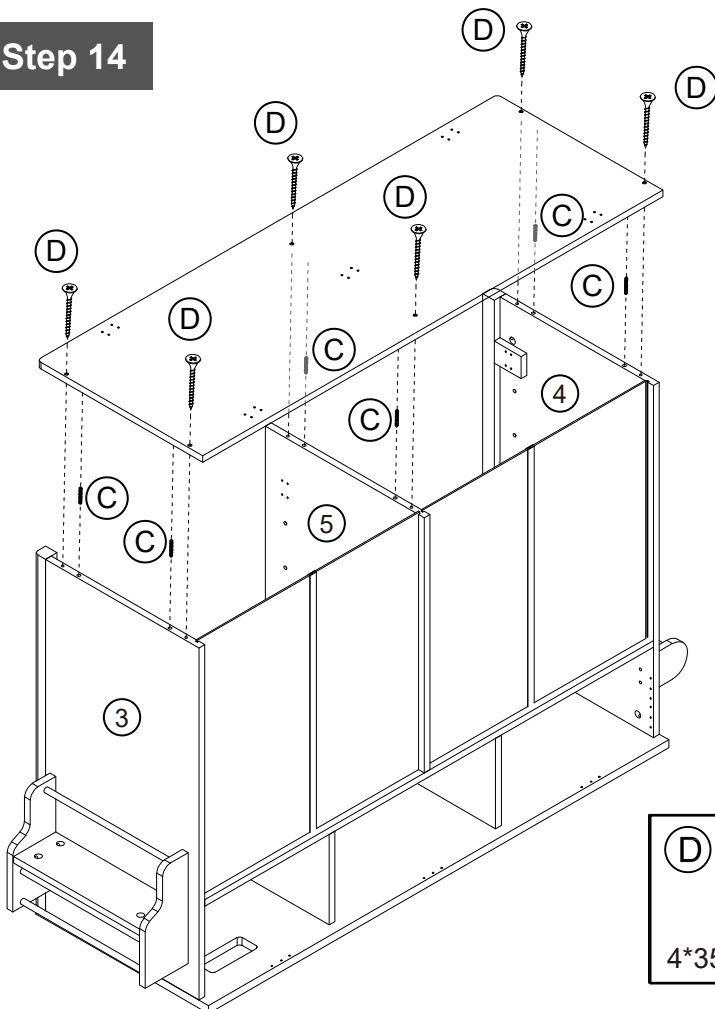


Assembly Instructions

Step 13

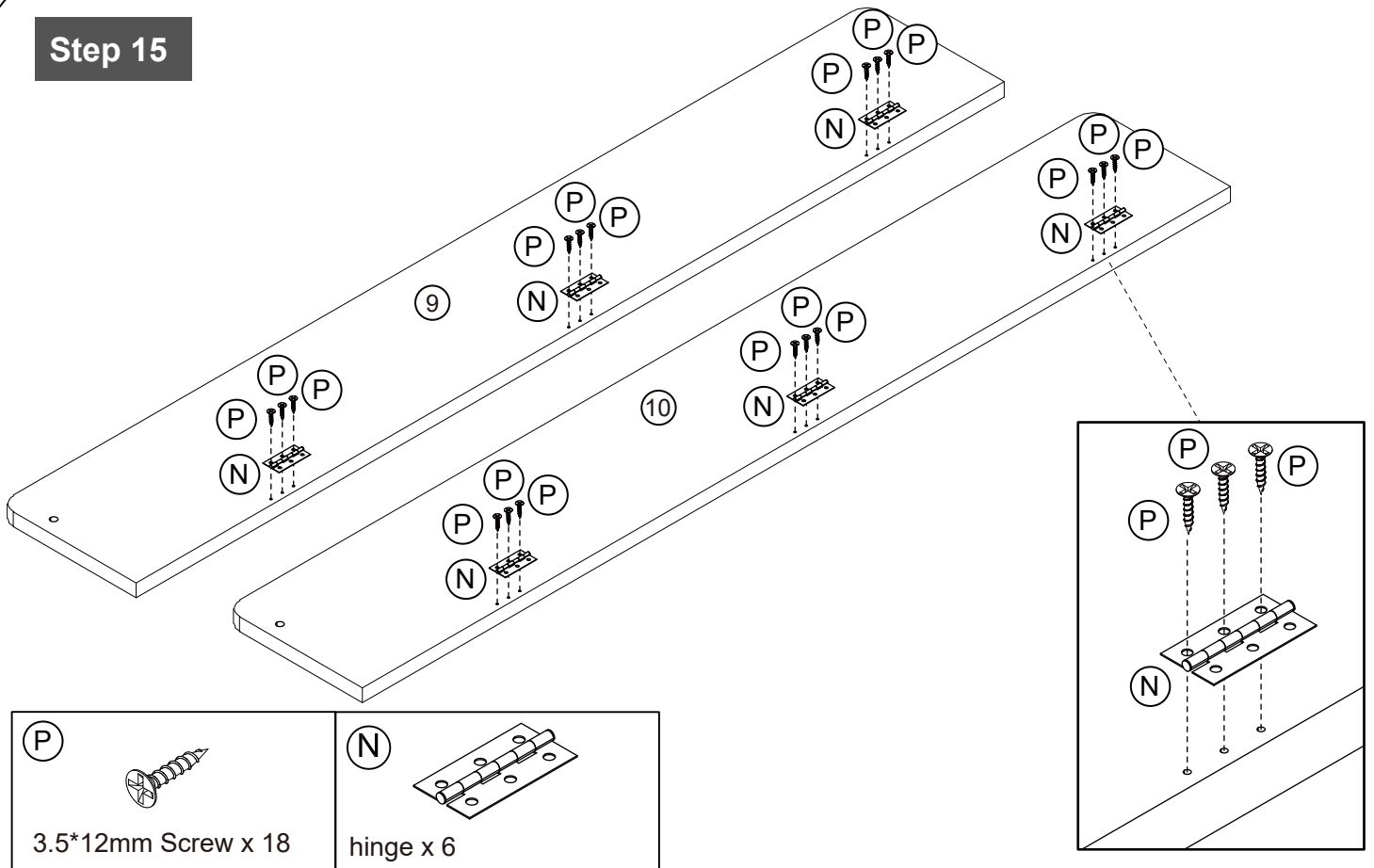


Step 14

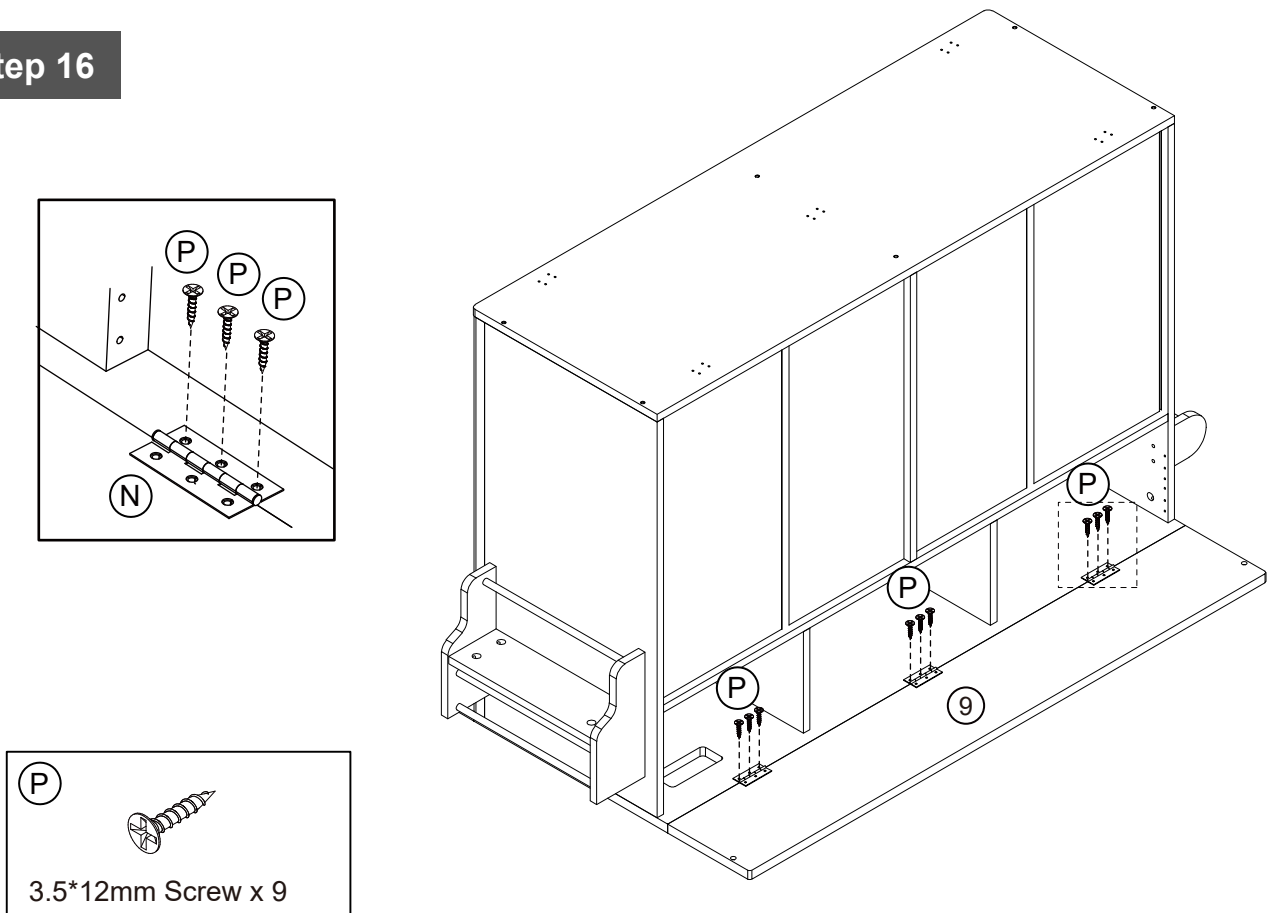


Assembly Instructions

Step 15

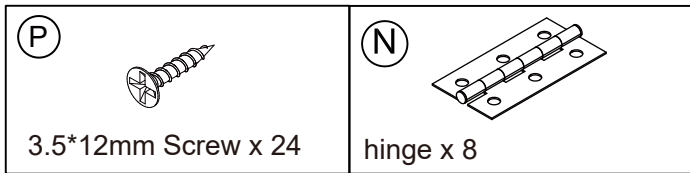
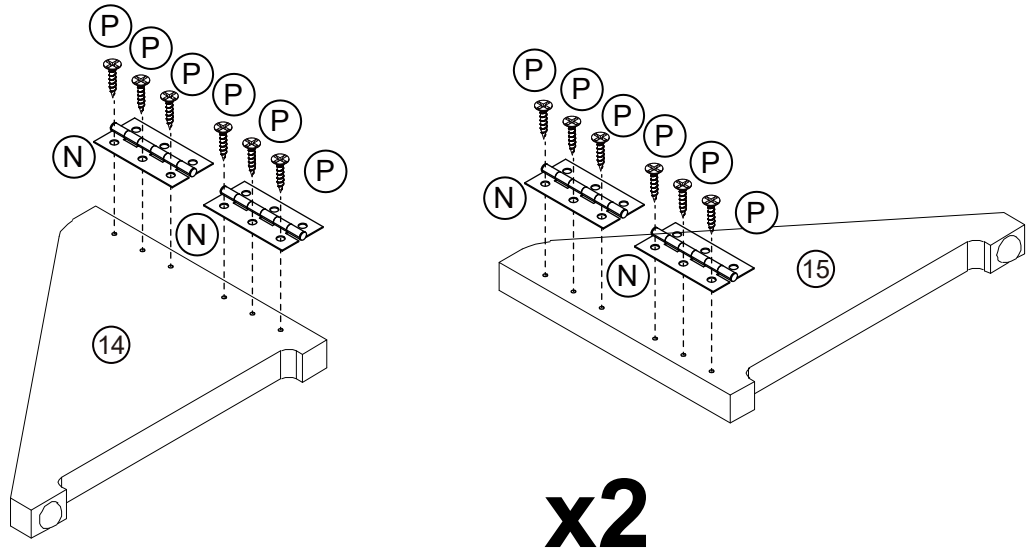


Step 16

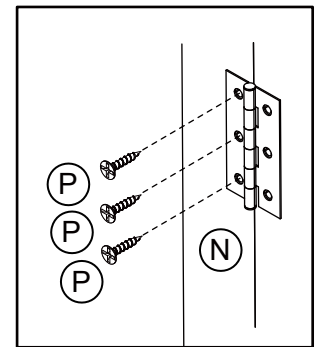
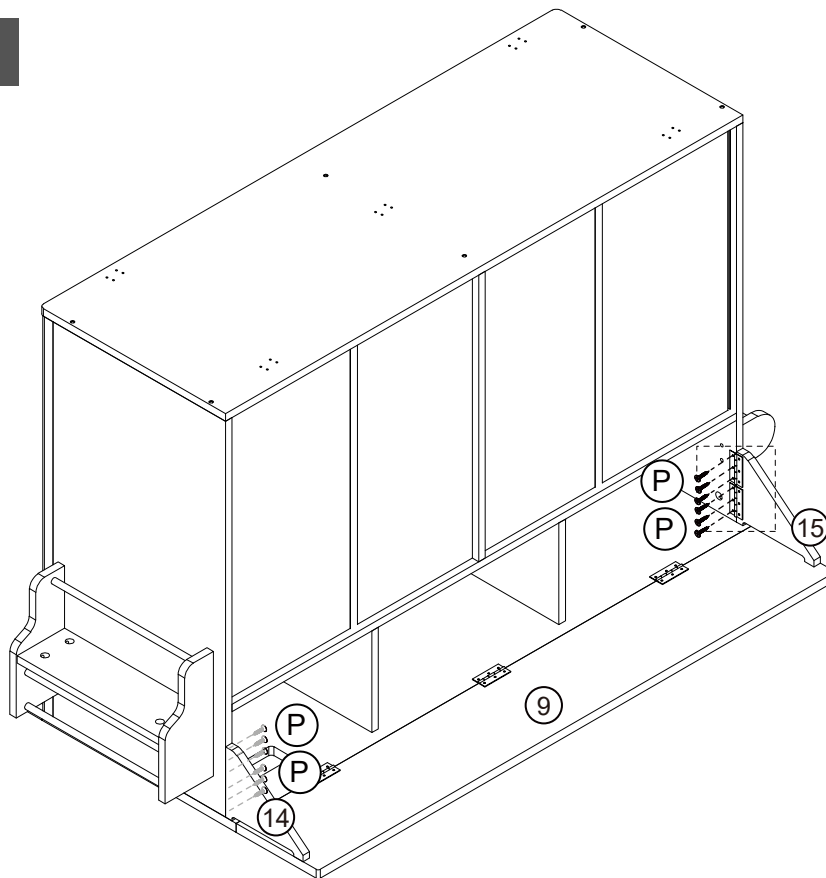


Assembly Instructions

Step 17

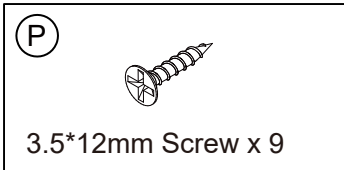
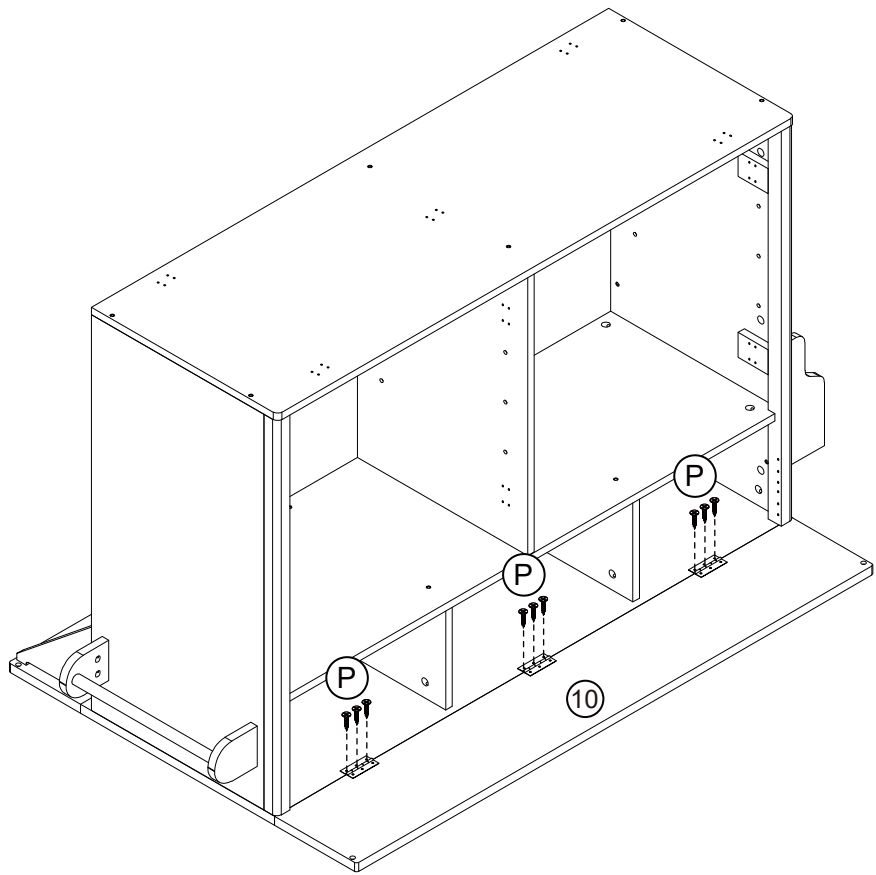
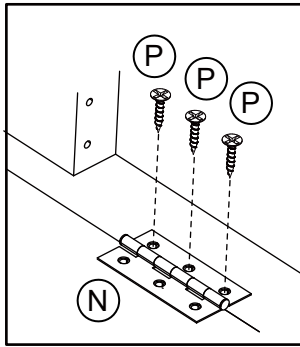


Step 18

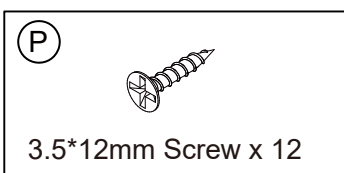
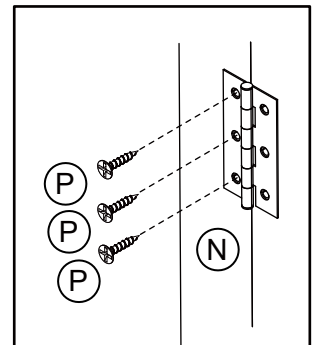
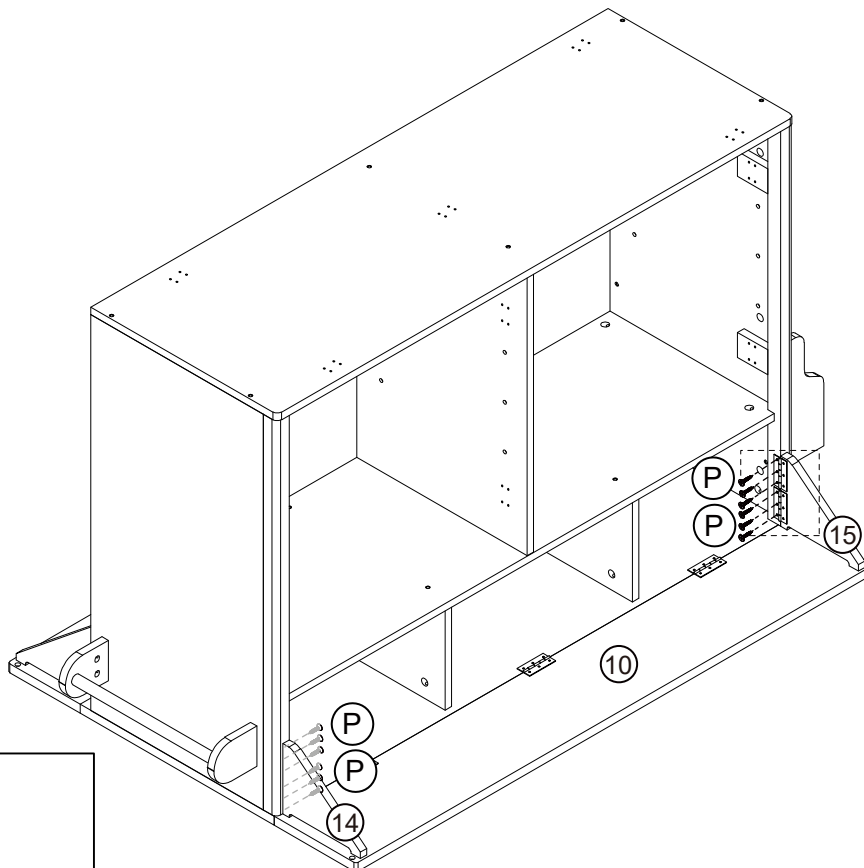


Assembly Instructions

Step 19

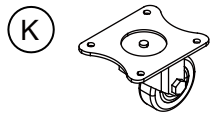
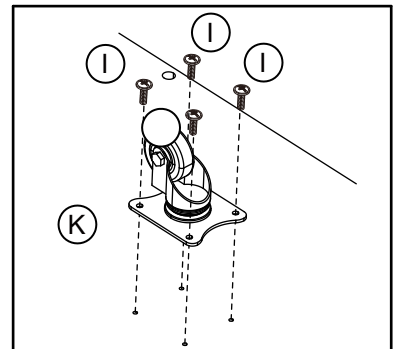
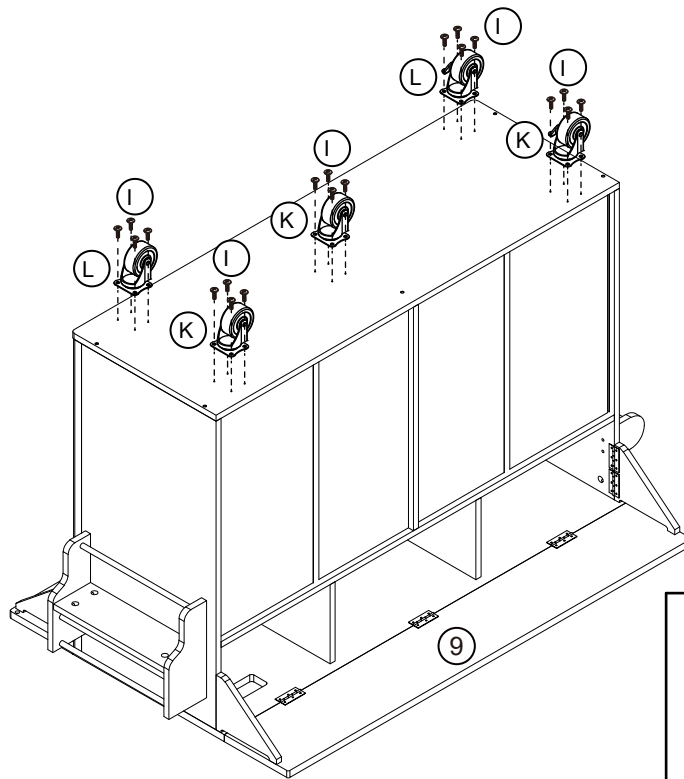


Step 20



Assembly Instructions

Step 21



Caster x 3

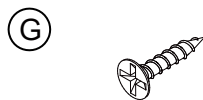
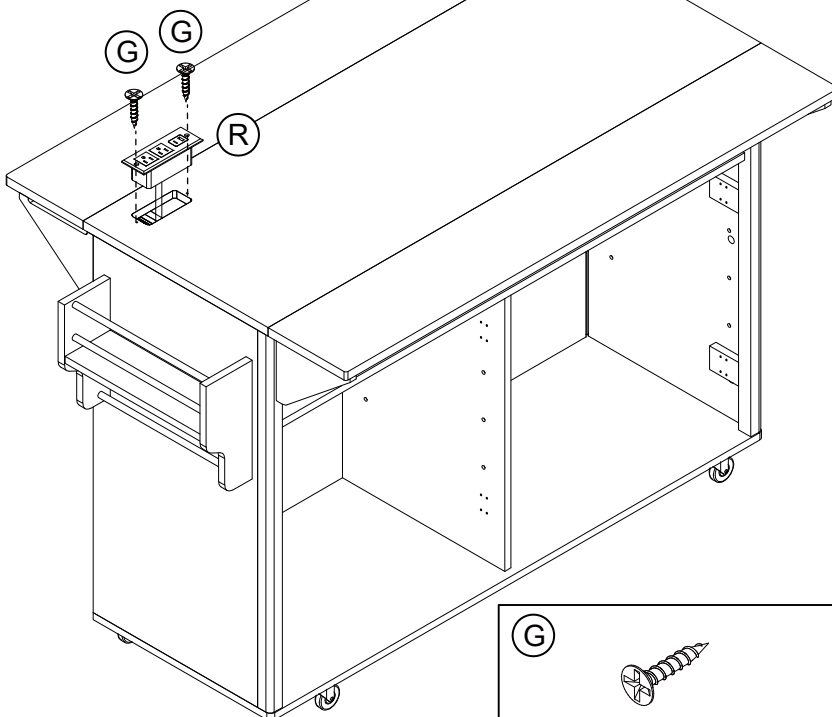


Locking caster x 2

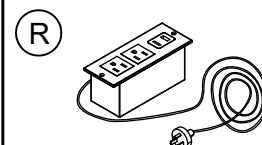


6*14mm Screw x 20

Step 22

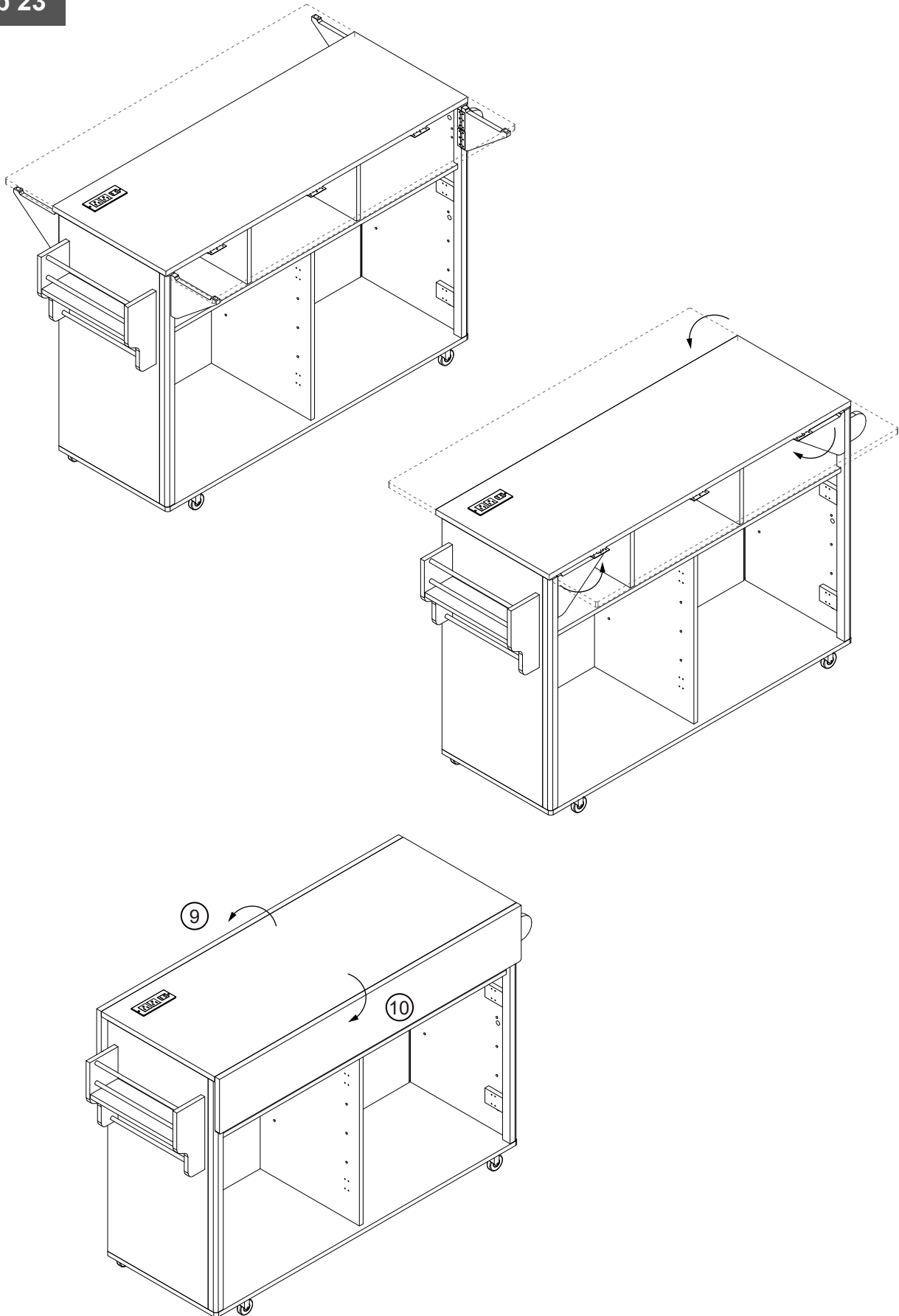


3.5*12mm Screw x 2



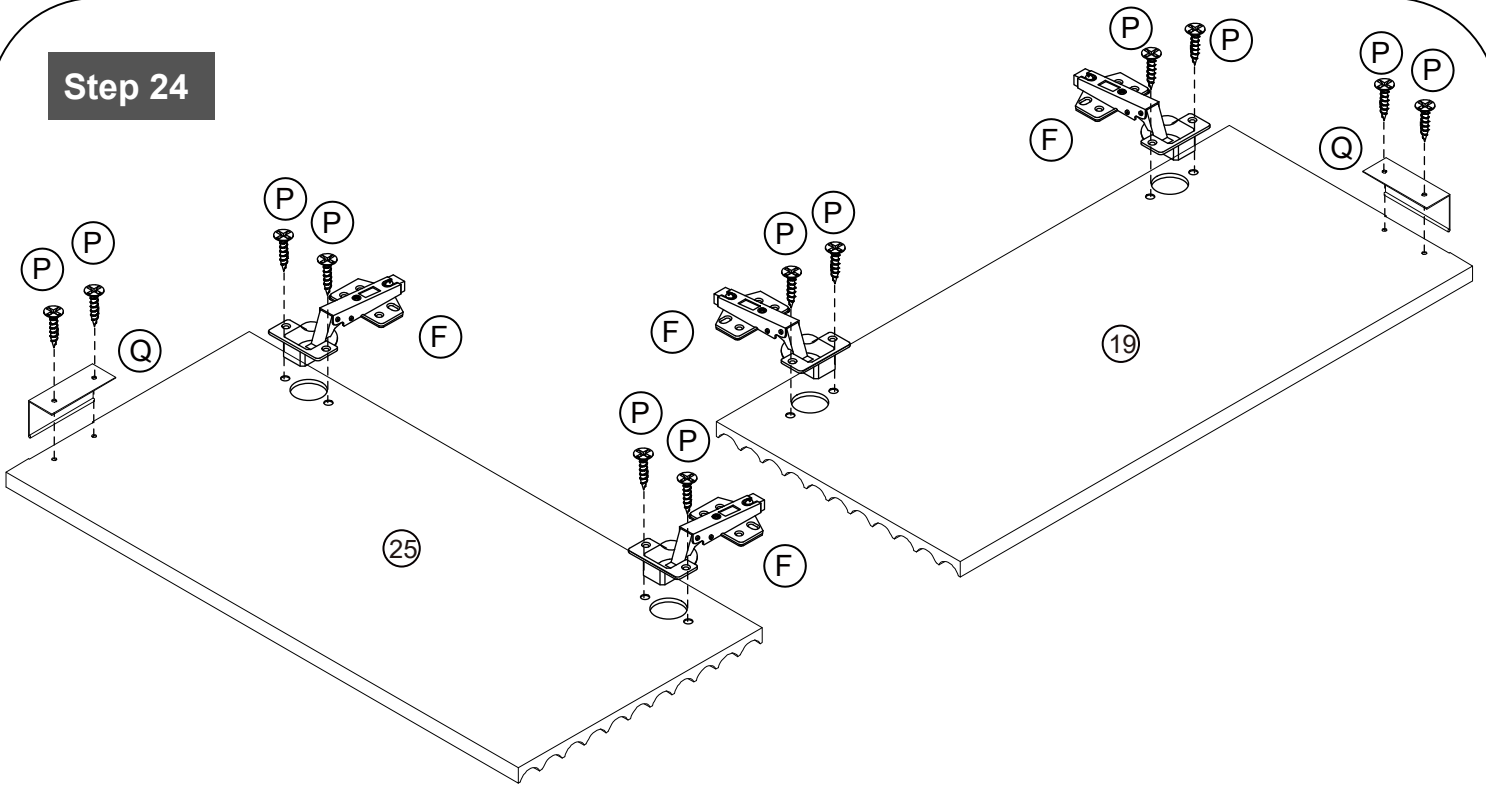
Assembly Instructions

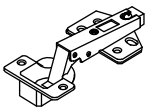
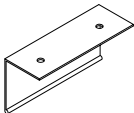
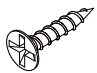
Step 23



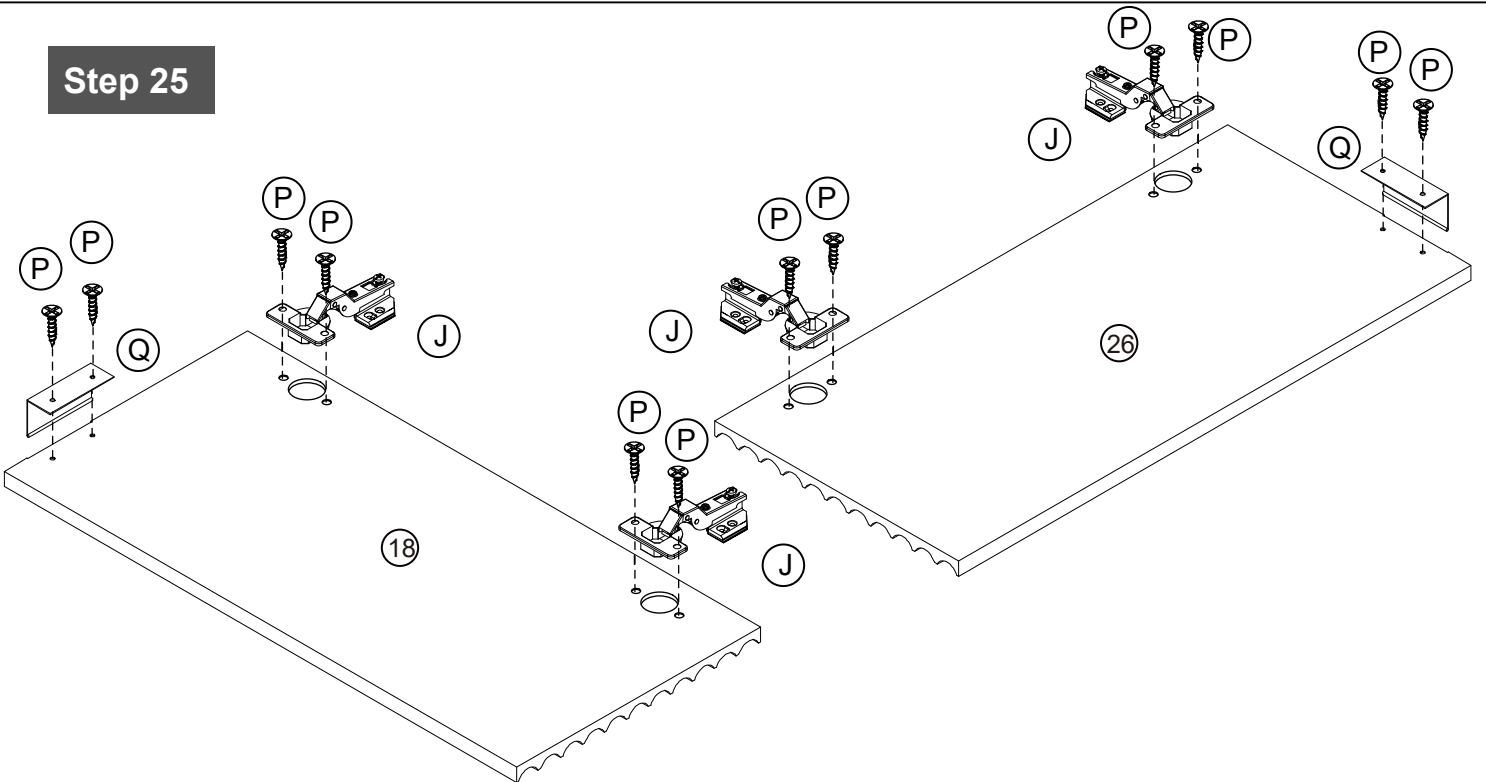
Assembly Instructions

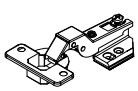
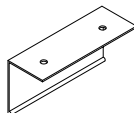
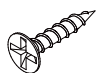
Step 24



 <p>F</p> <p>Hinge x 4</p>	 <p>Q</p> <p>Hold hands x 2</p>	 <p>P</p> <p>3.5*12mm Screw x 12</p>
---	--	--

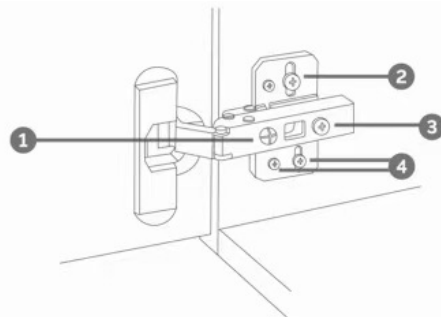
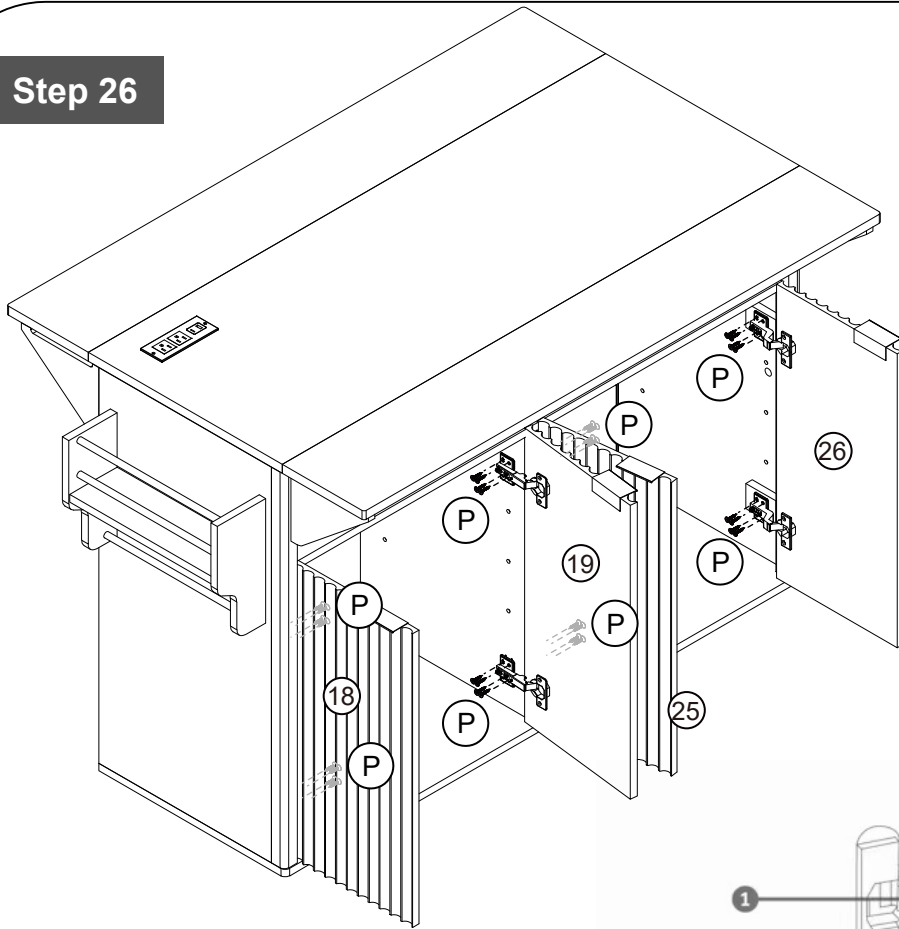
Step 25



 <p>J</p> <p>Hinge x 4</p>	 <p>Q</p> <p>Hold hands x 2</p>	 <p>P</p> <p>3.5*12mm Screw x 12</p>
---	--	---

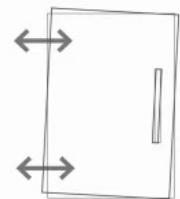
Assembly Instructions

Step 26



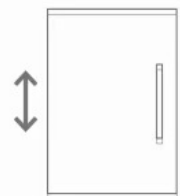
1 Sideways / Tilt adjustment

Turn the screw
clockwise to move the door further away from
the side of the cabinet
anticlockwise to move the door closer to the
side of the cabinet



2 4 Height adjustment

While supporting the weight of the door, turn the
screws
clockwise to move the door up
anticlockwise to move the door down



3 Forward and back adjustment

If the gap between the back of the door and the
cabinet is too small, and the door may not close
fully. Turn the screw
clockwise to decrease the gap between the
door and the cabinet
anticlockwise to increase the gap between the
door and the cabinet



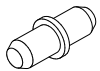
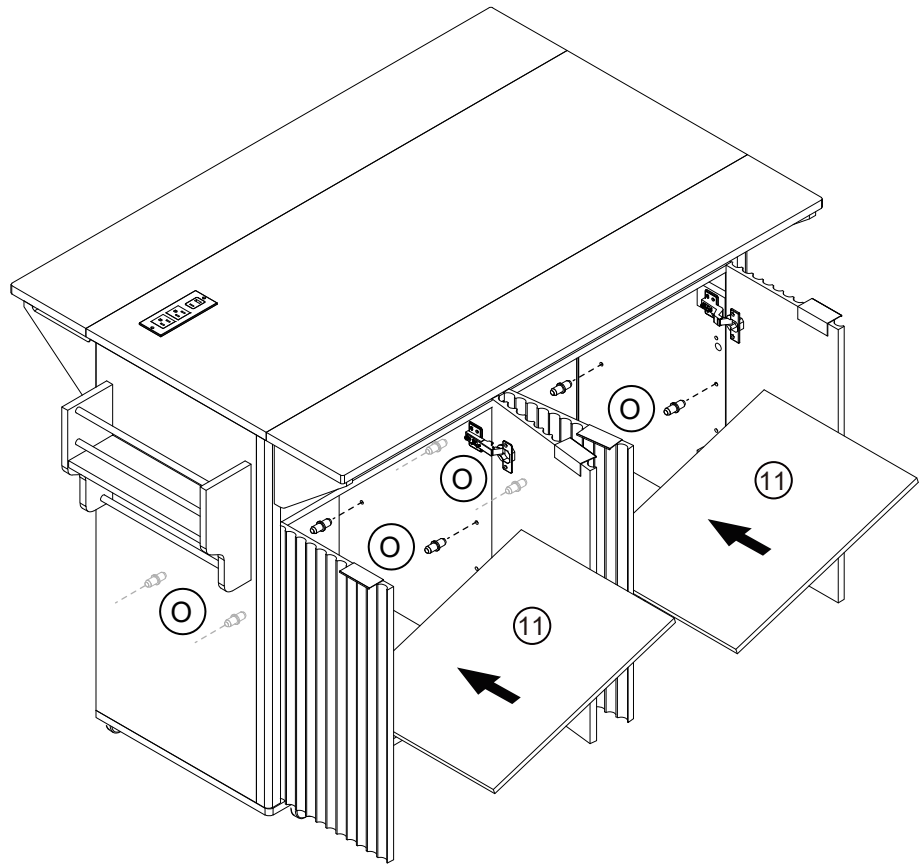
(P)



3.5*12mm Screw x 32

Assembly Instructions

Step 27



Shelf bracket x 8

Step 28

