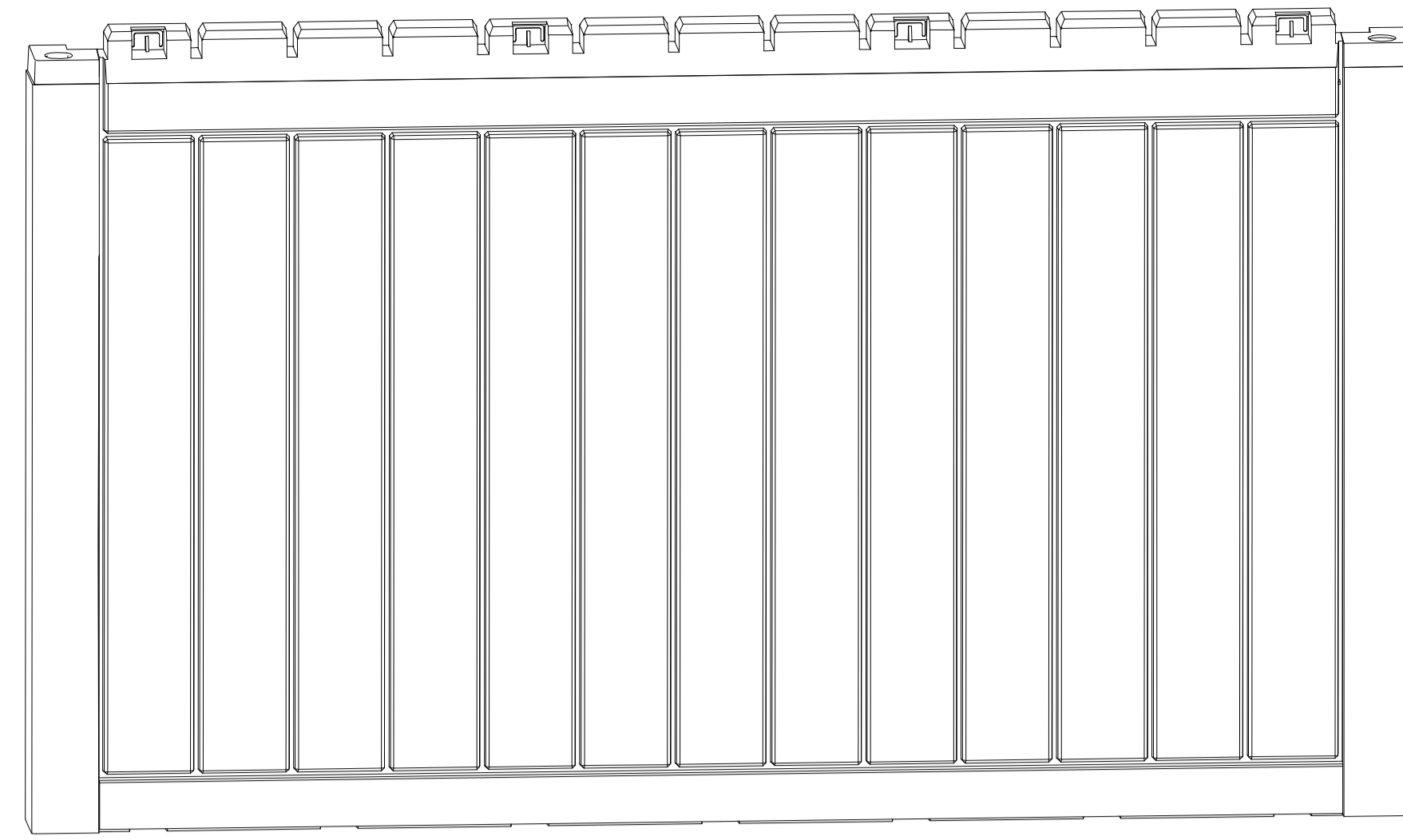
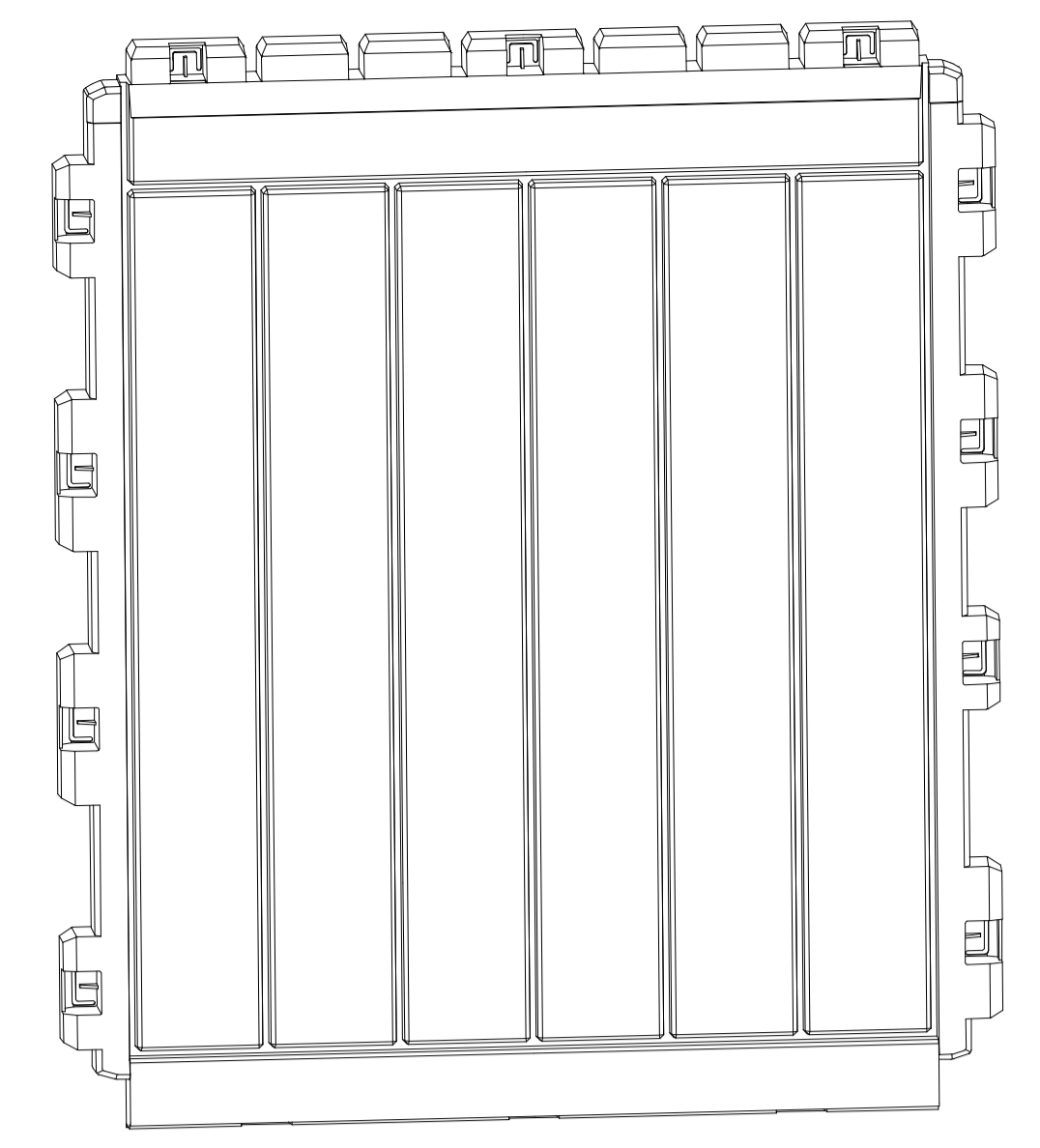


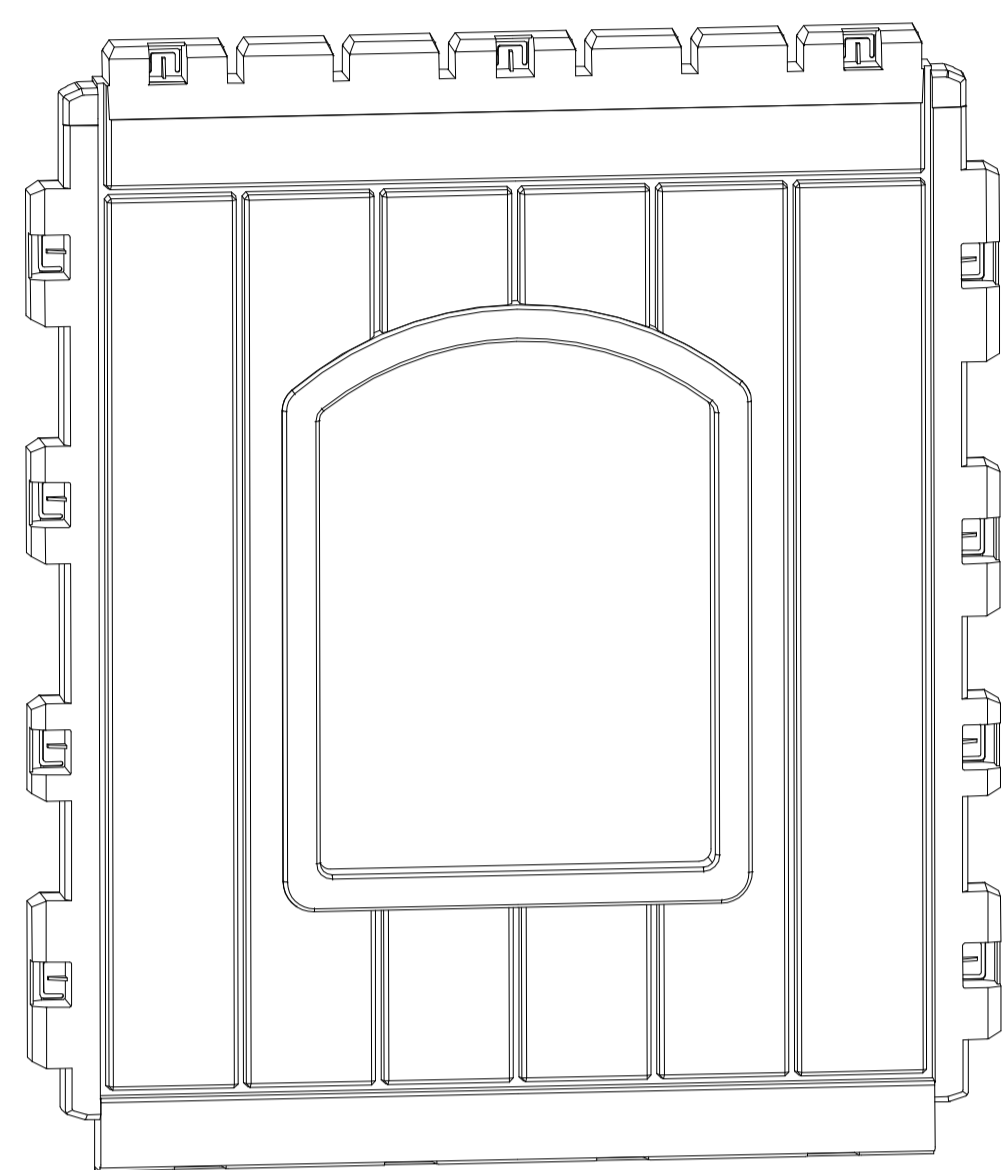
A(X2)



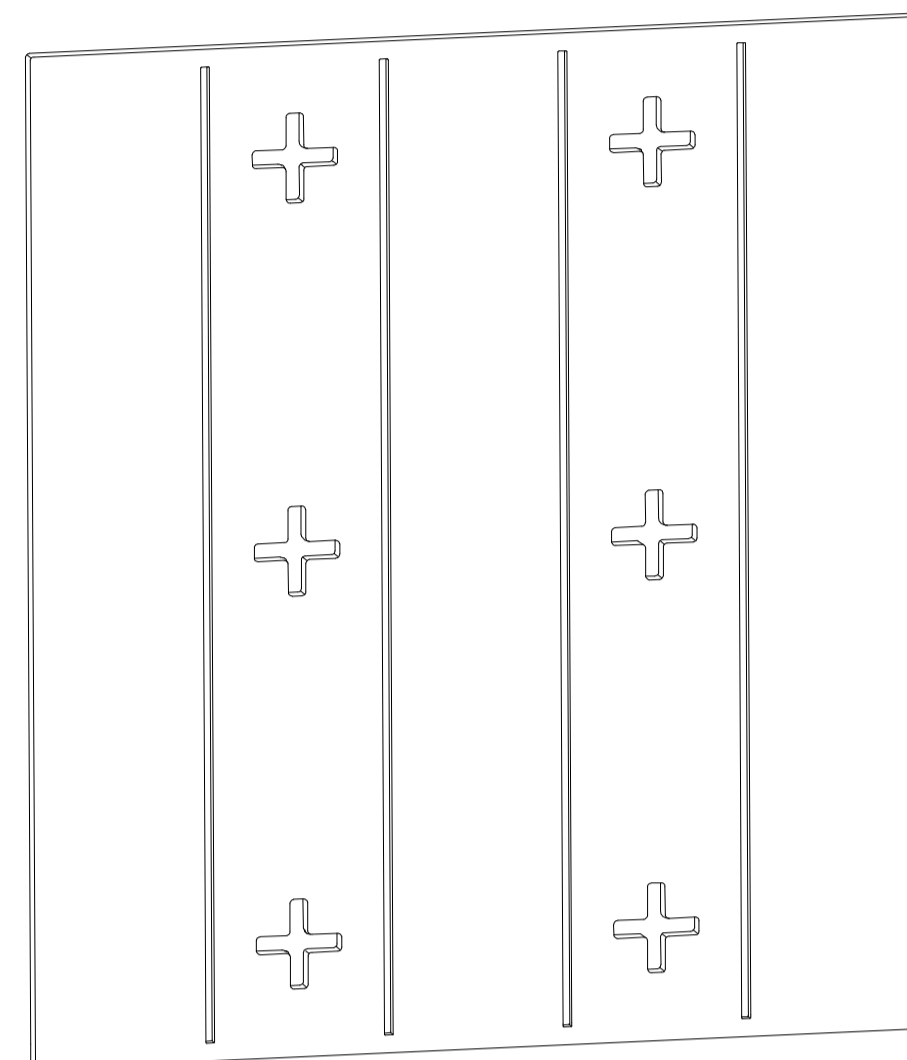
B(X1)



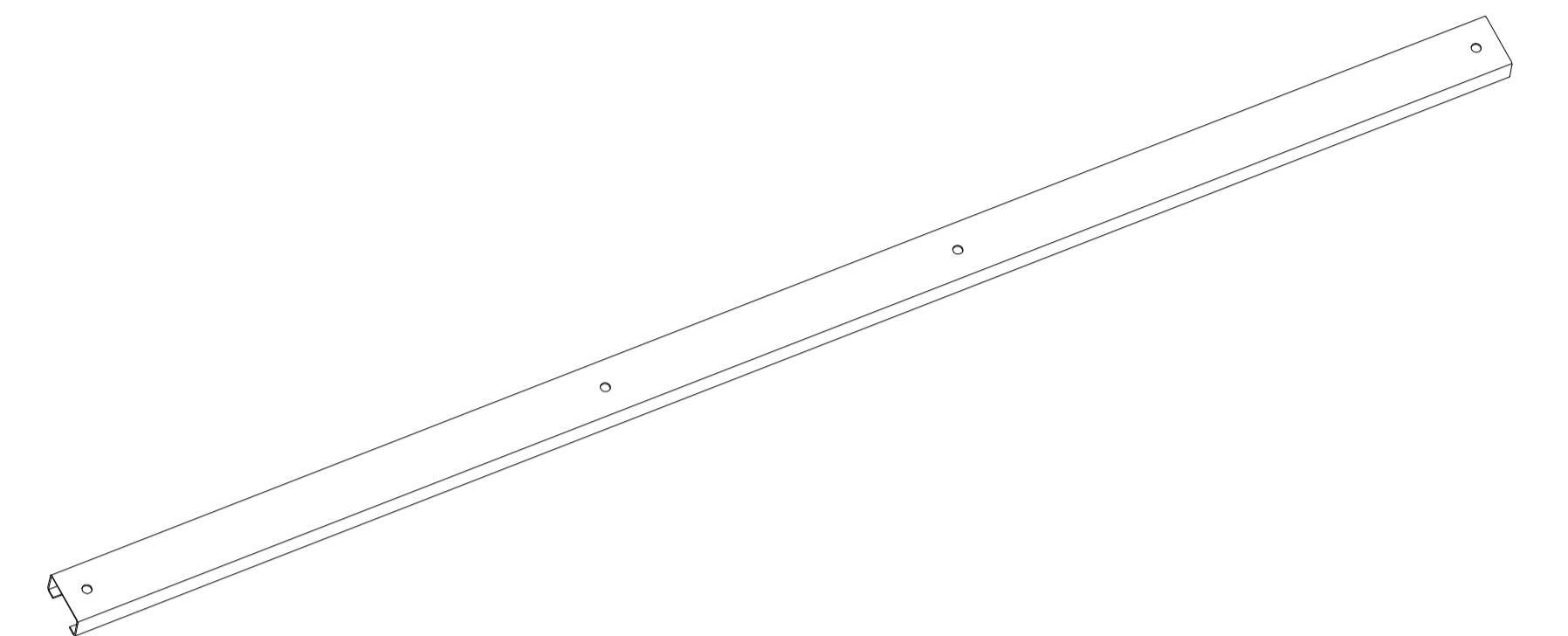
C(X1)



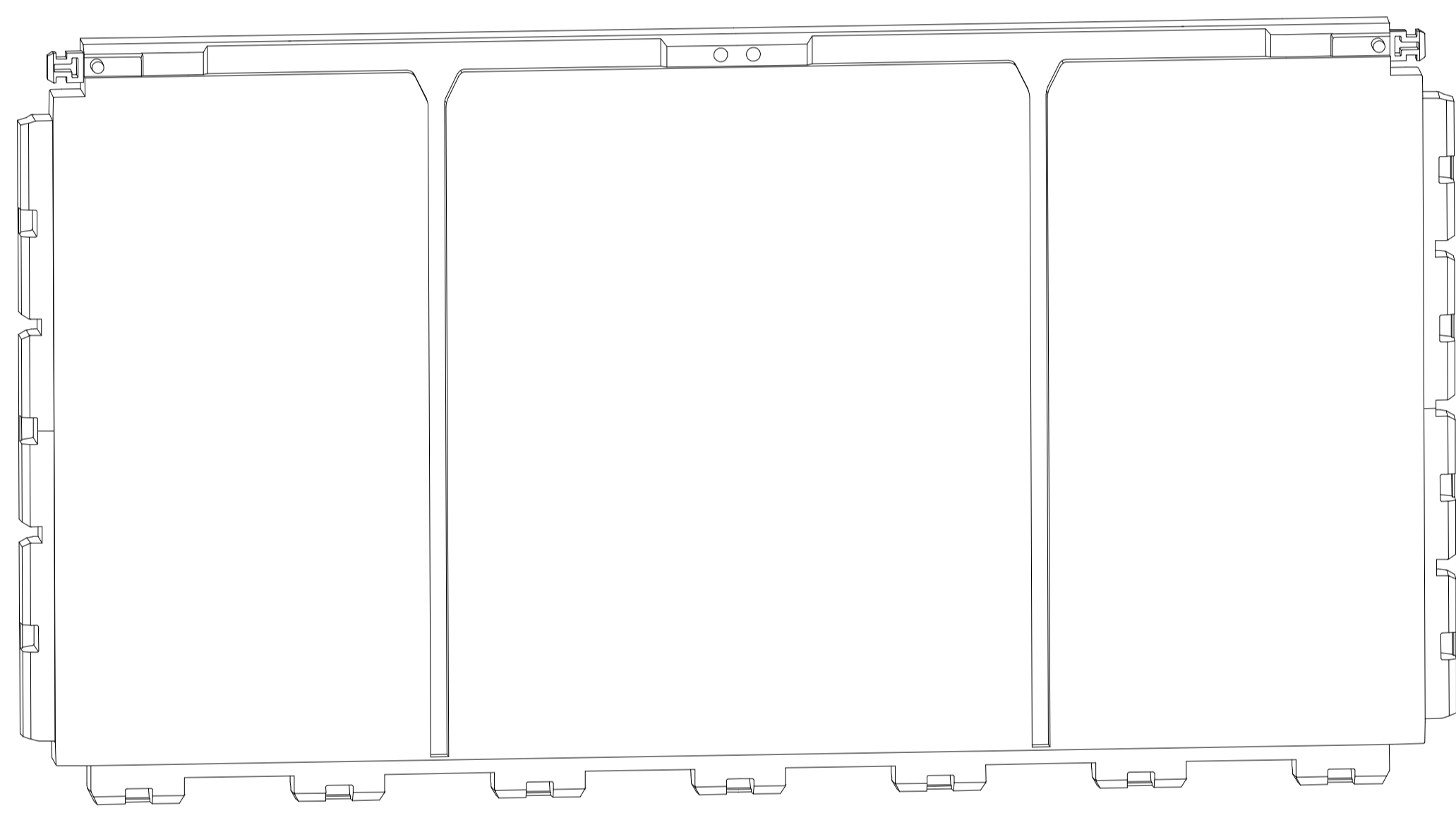
D(X1)



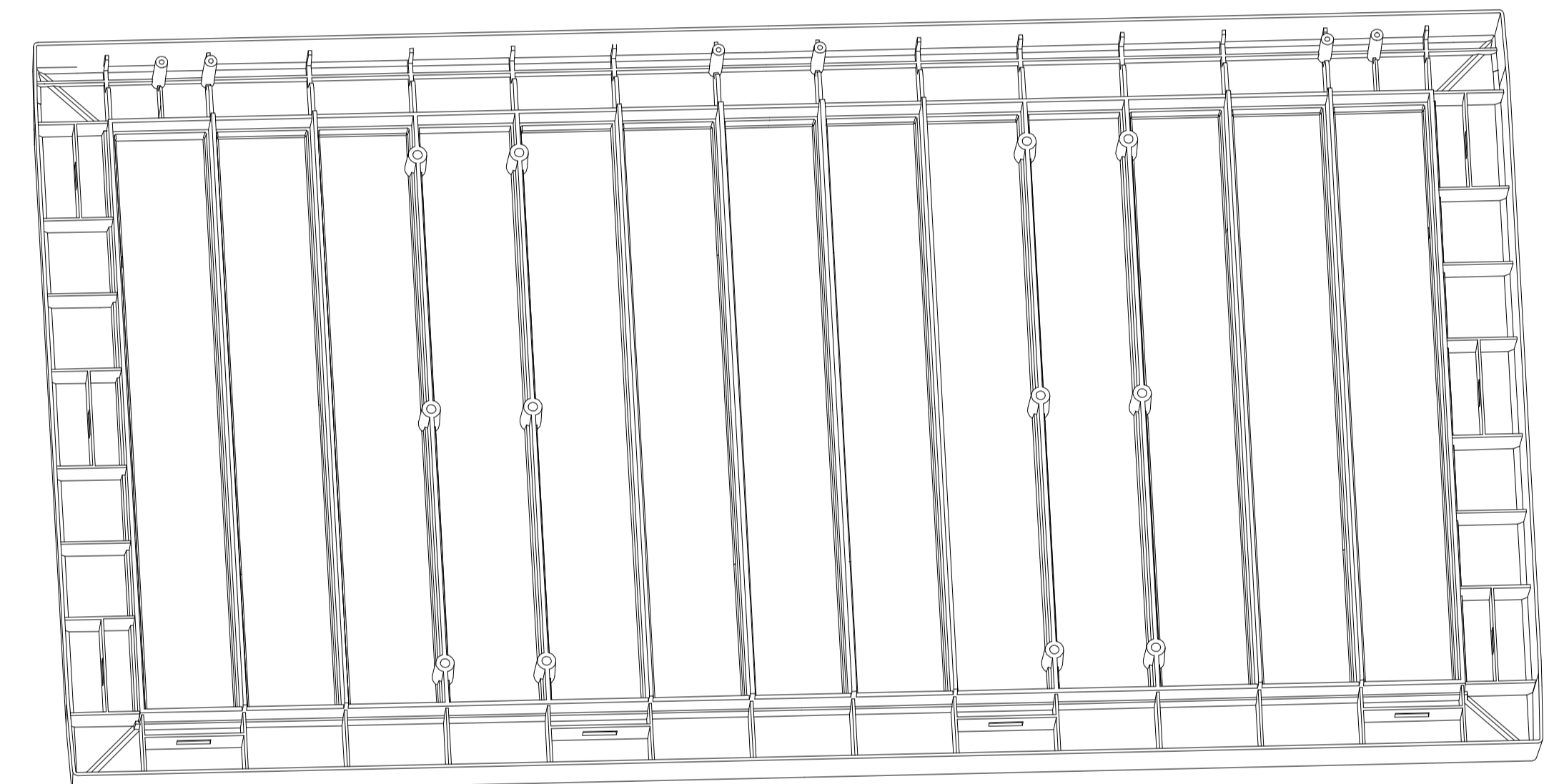
T(X1)



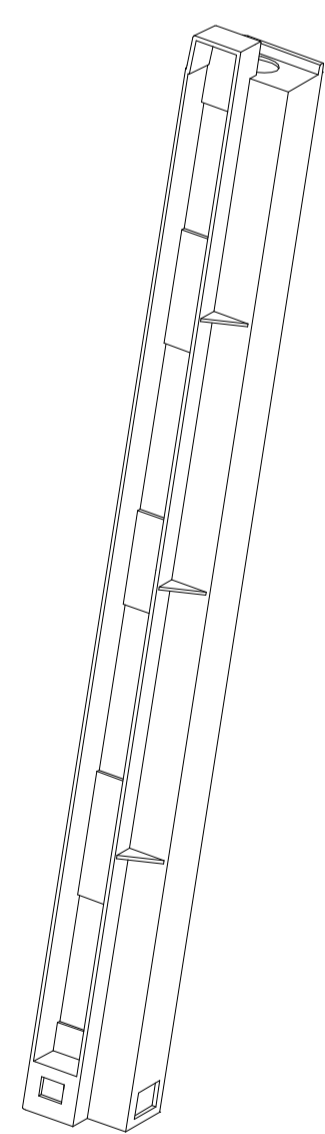
**795X30X15
(X1)**



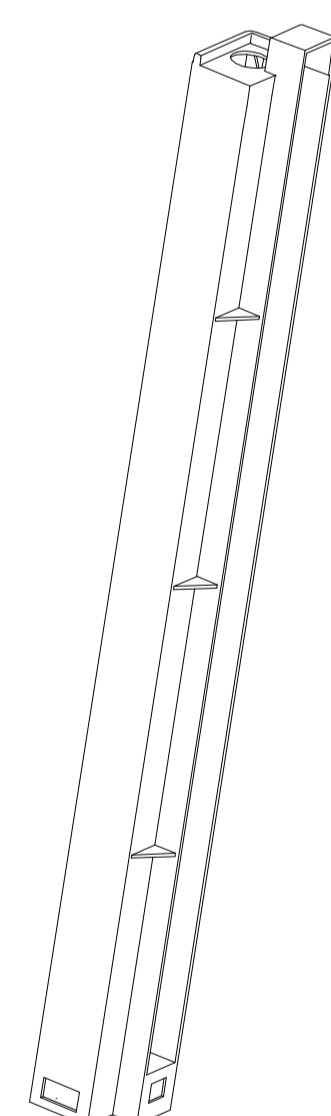
E(X1)



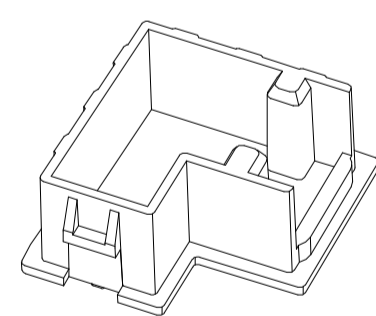
J(X1)



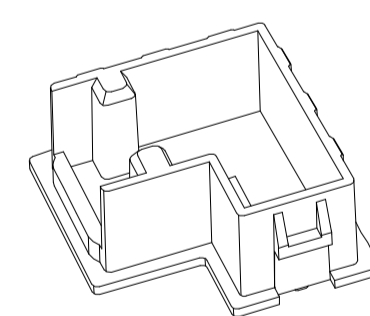
L1(X1)



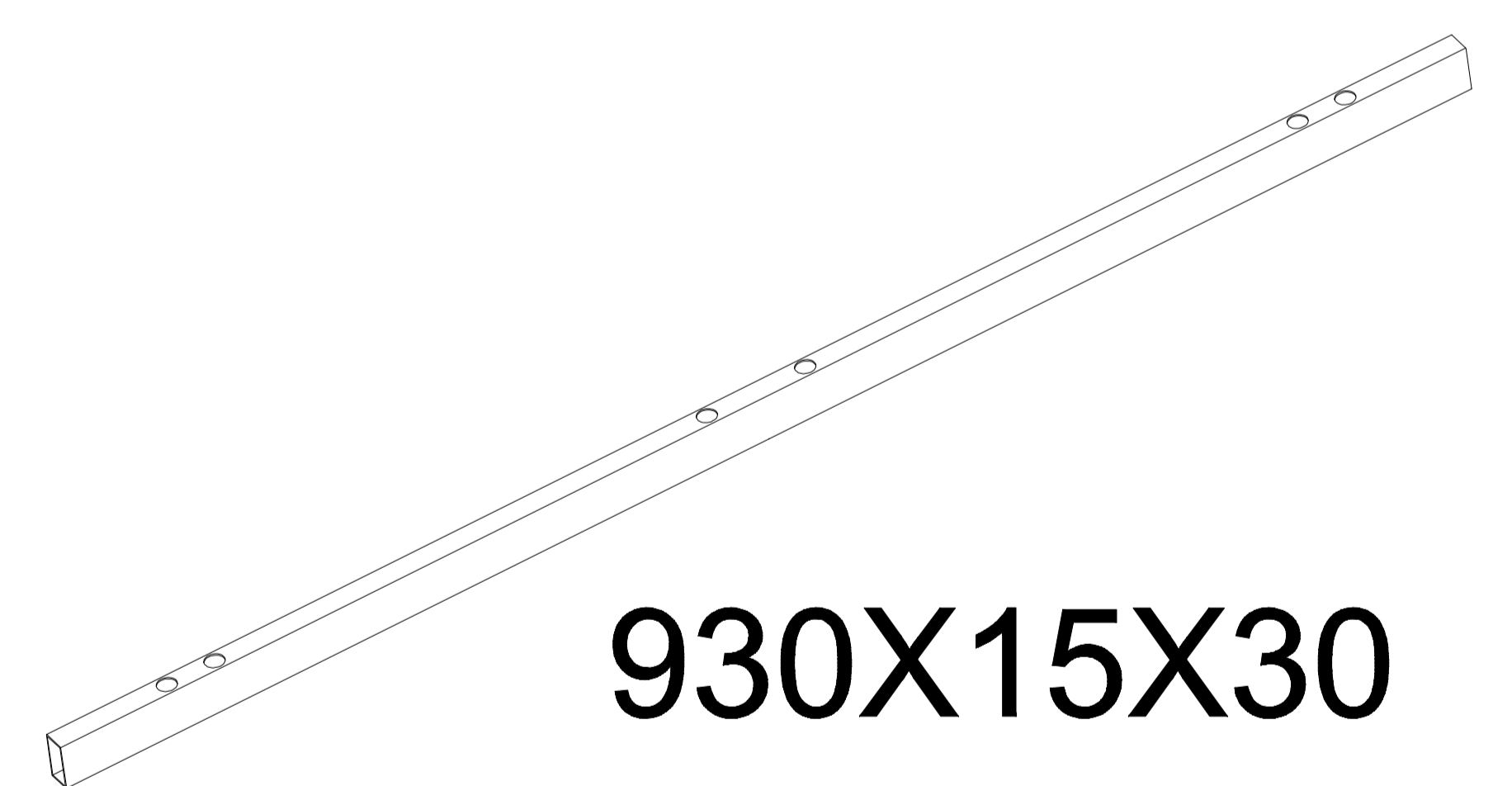
R1(X1)



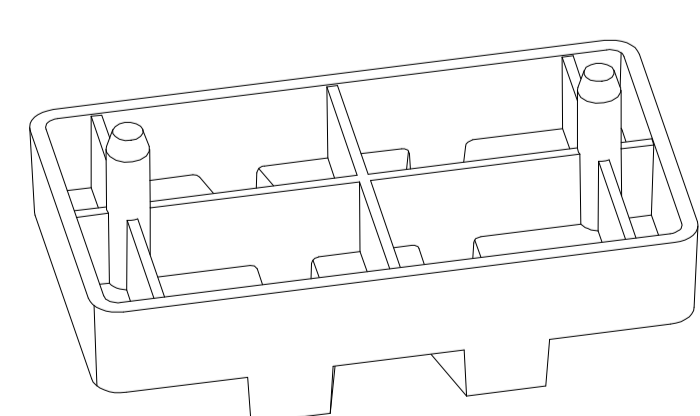
R3(X1)



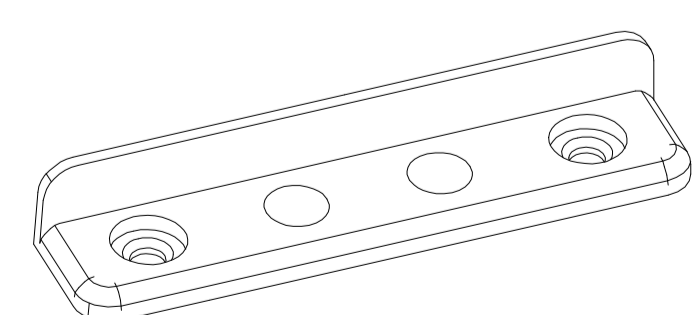
L3(X1)



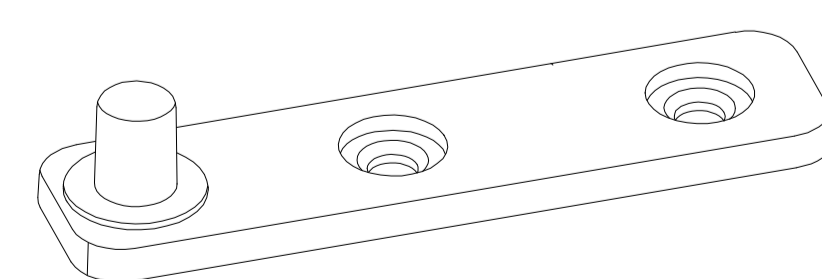
**930X15X30
(X1)**



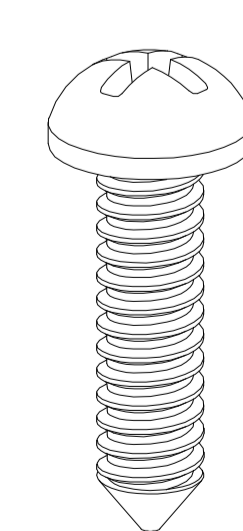
K(X3)



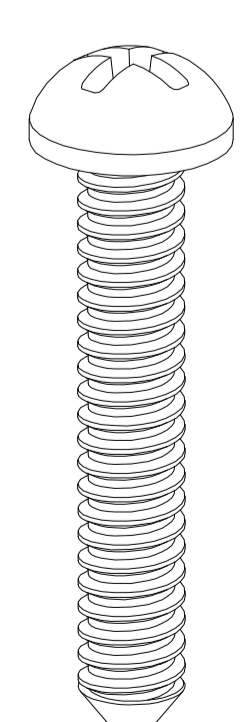
N(X1)



S(X2)

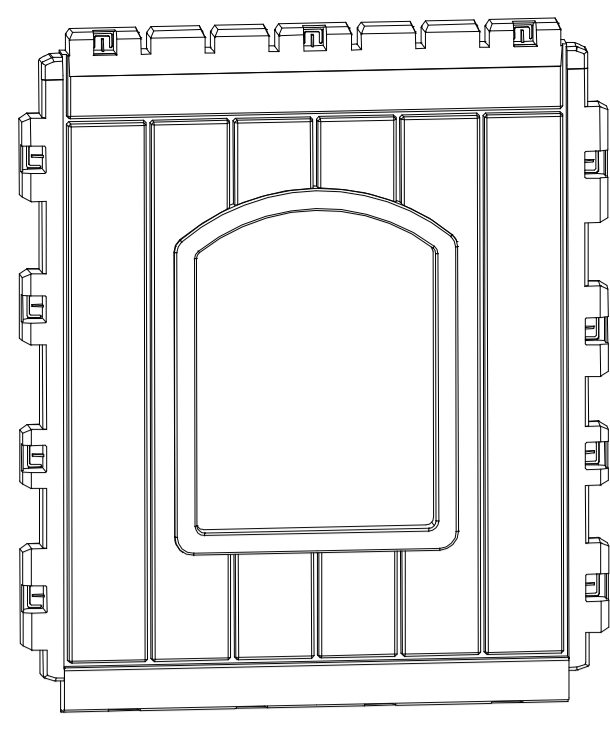


**M4x16mm
(X4)**

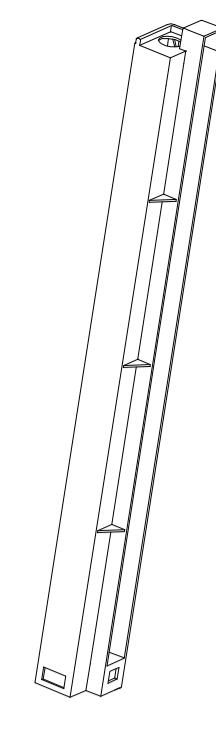


**M4x25mm
(X6)**

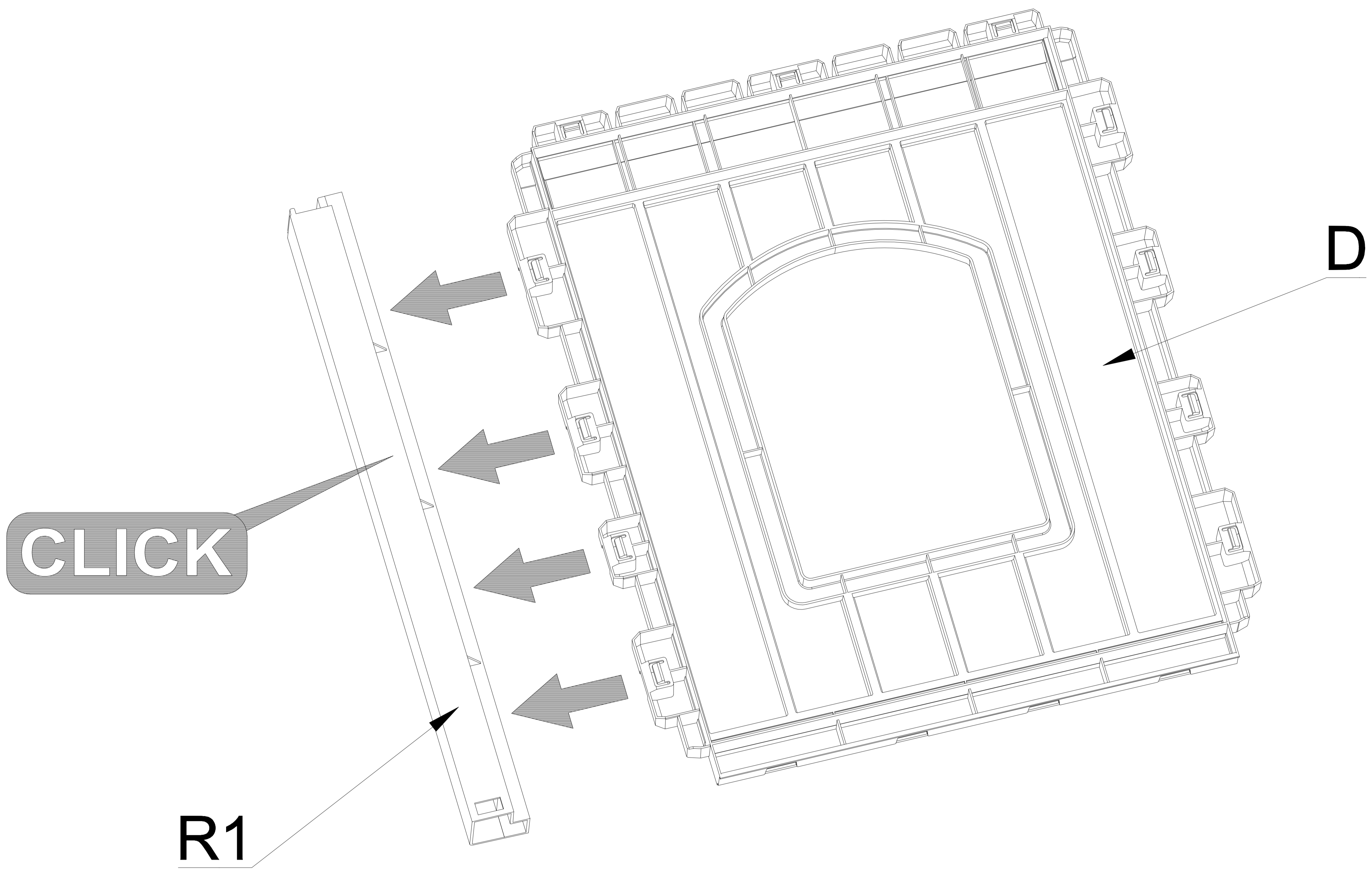
1



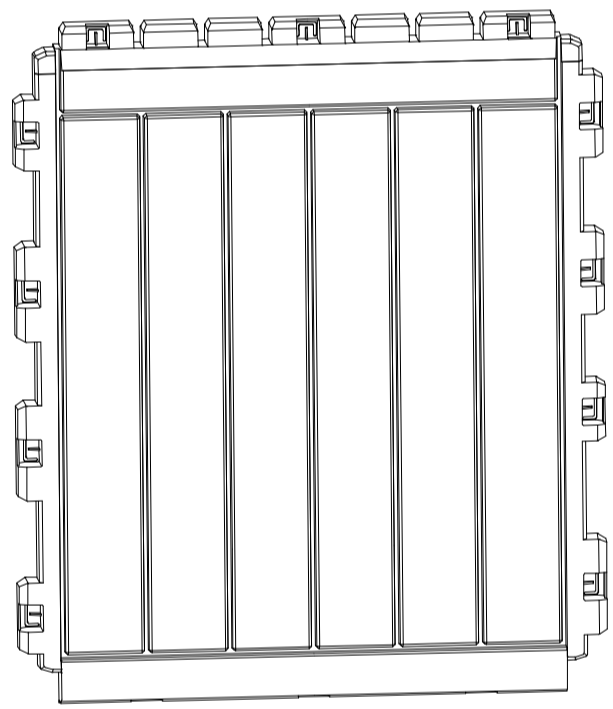
D(X1)



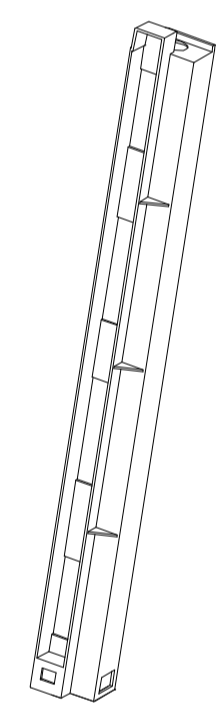
R1(X1)



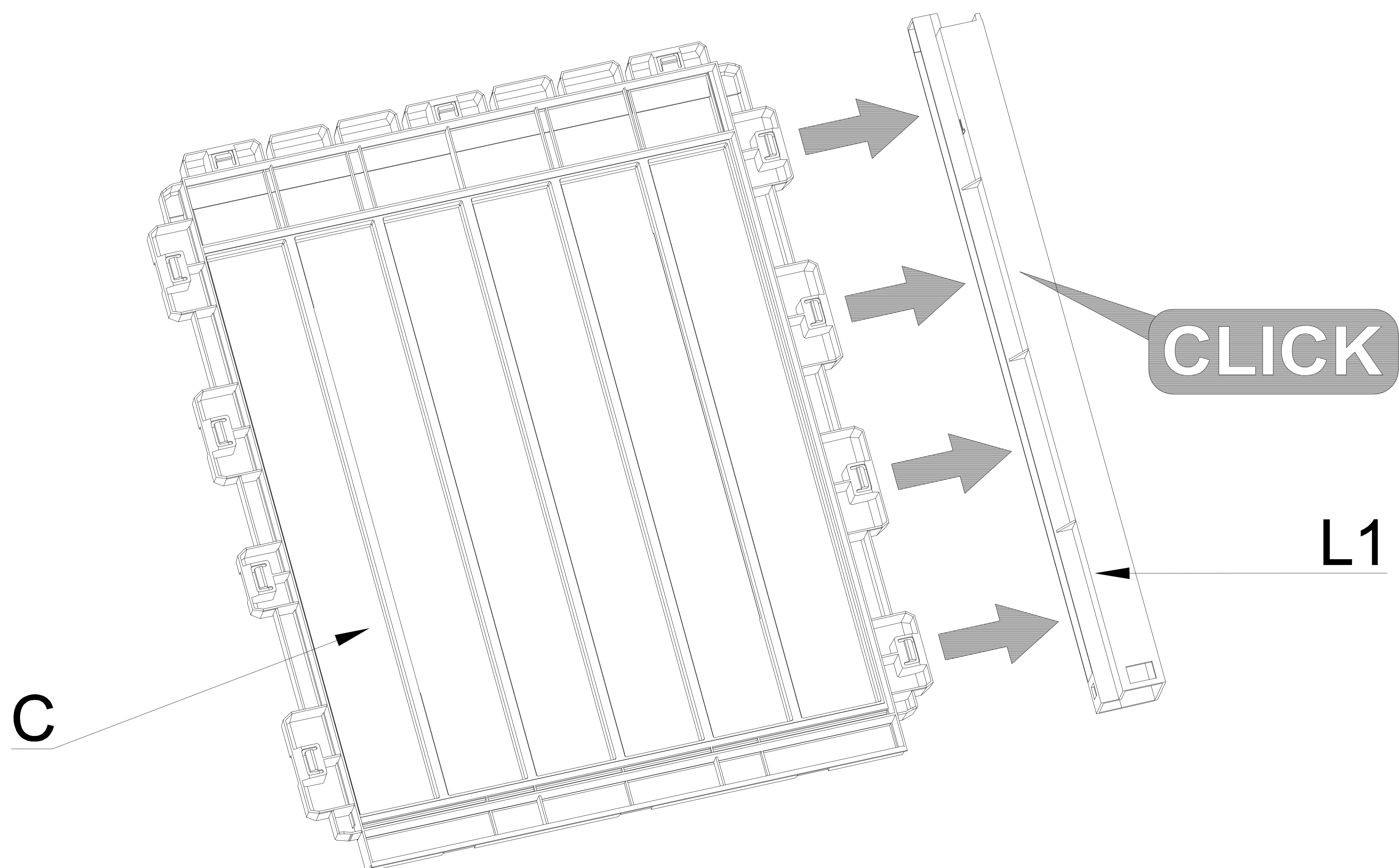
2



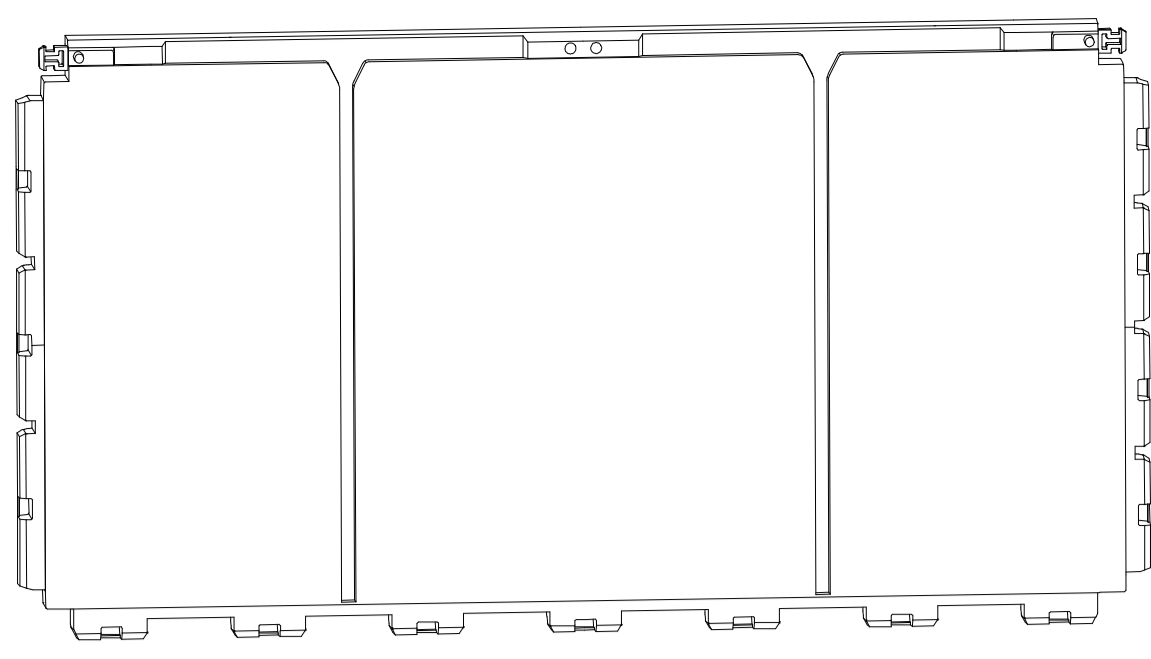
C(X1)



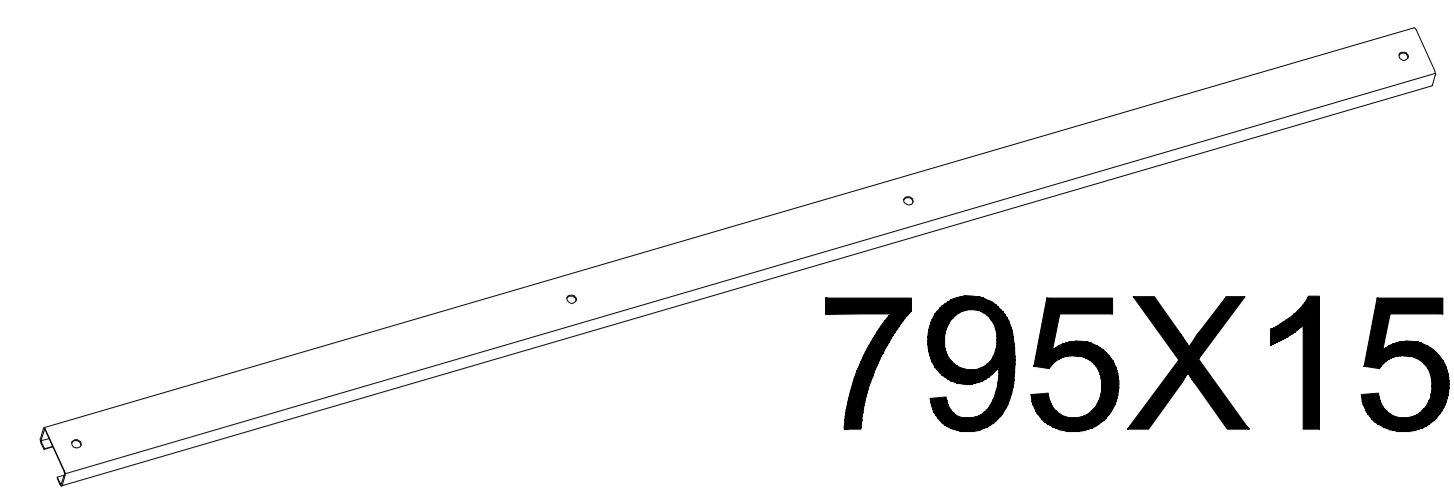
L1(X1)



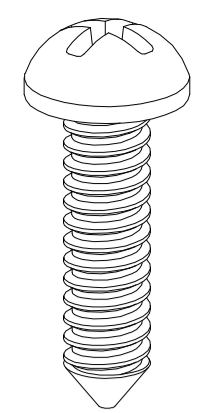
3



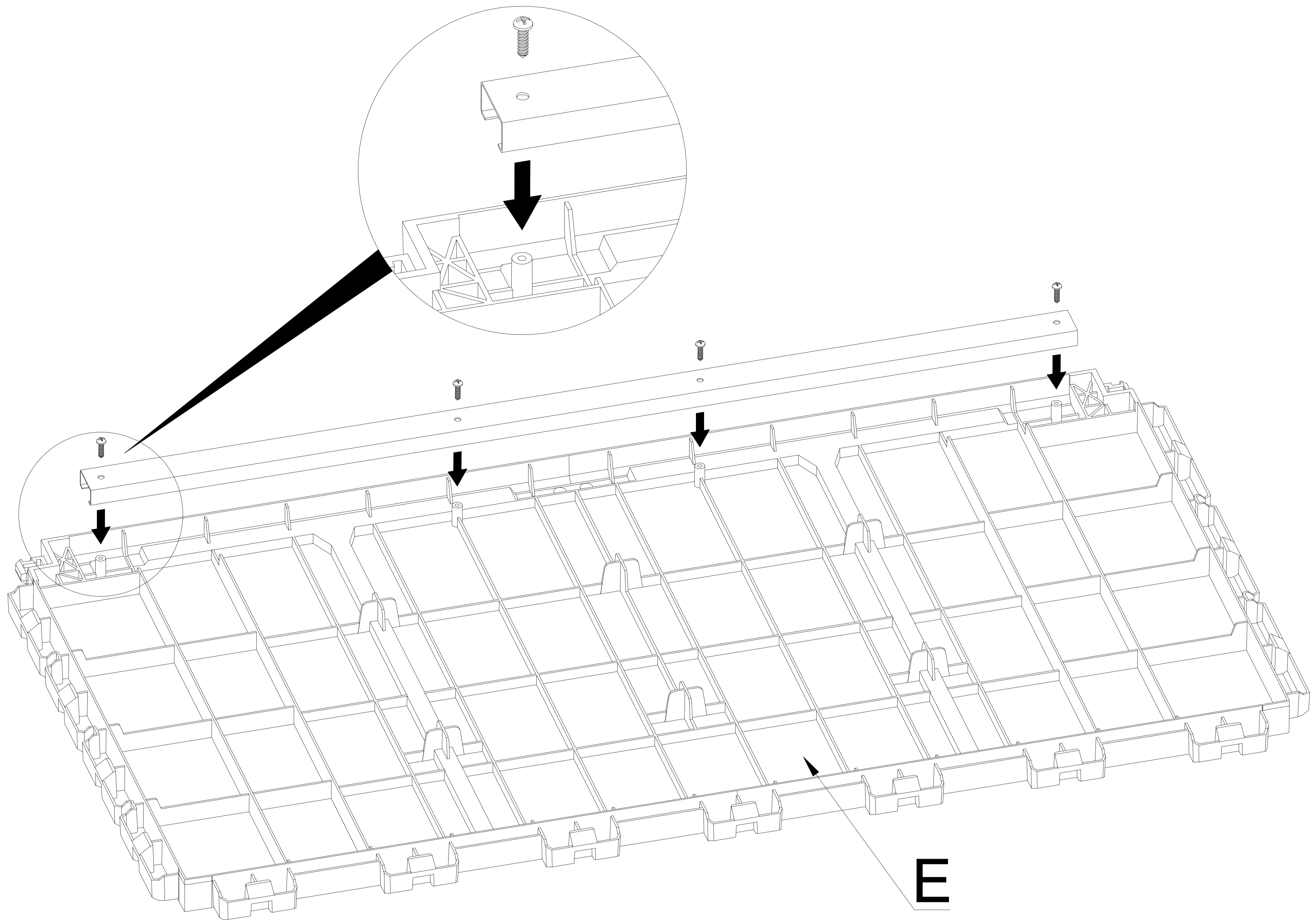
E(X1)



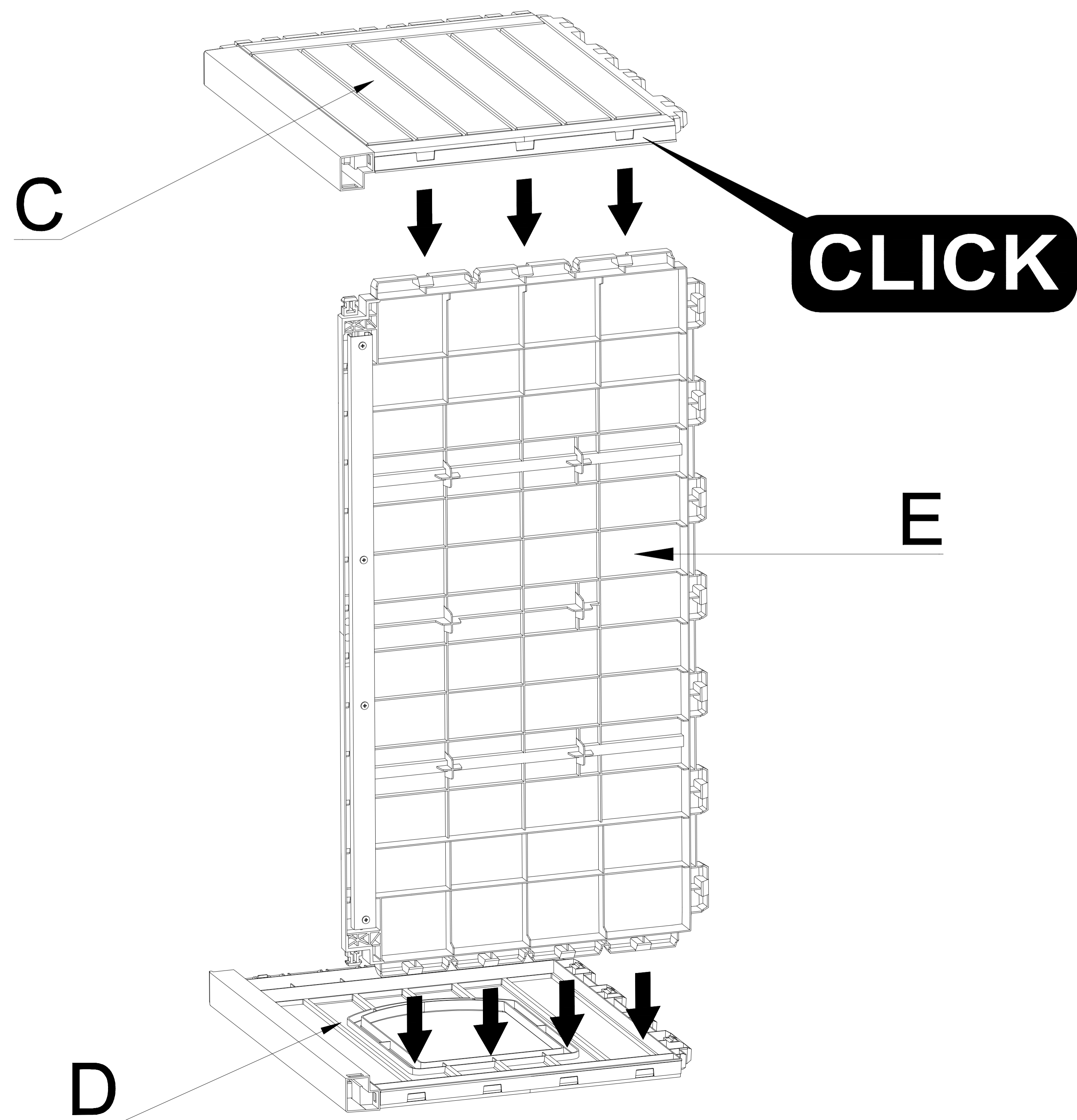
795X15X30
(X1)



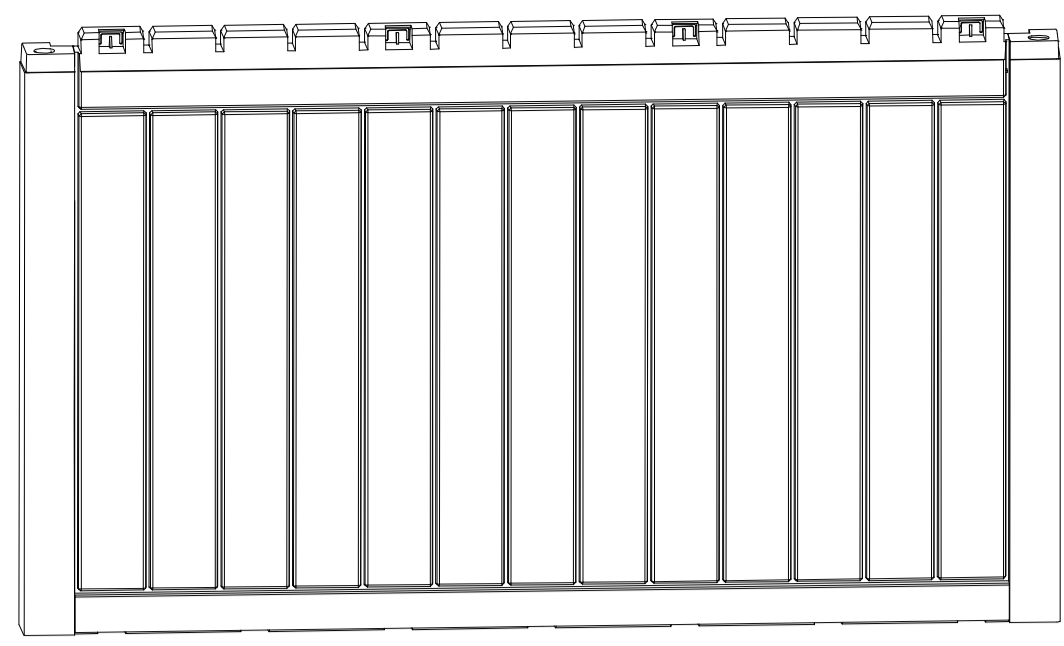
M4x16mm
(X4)



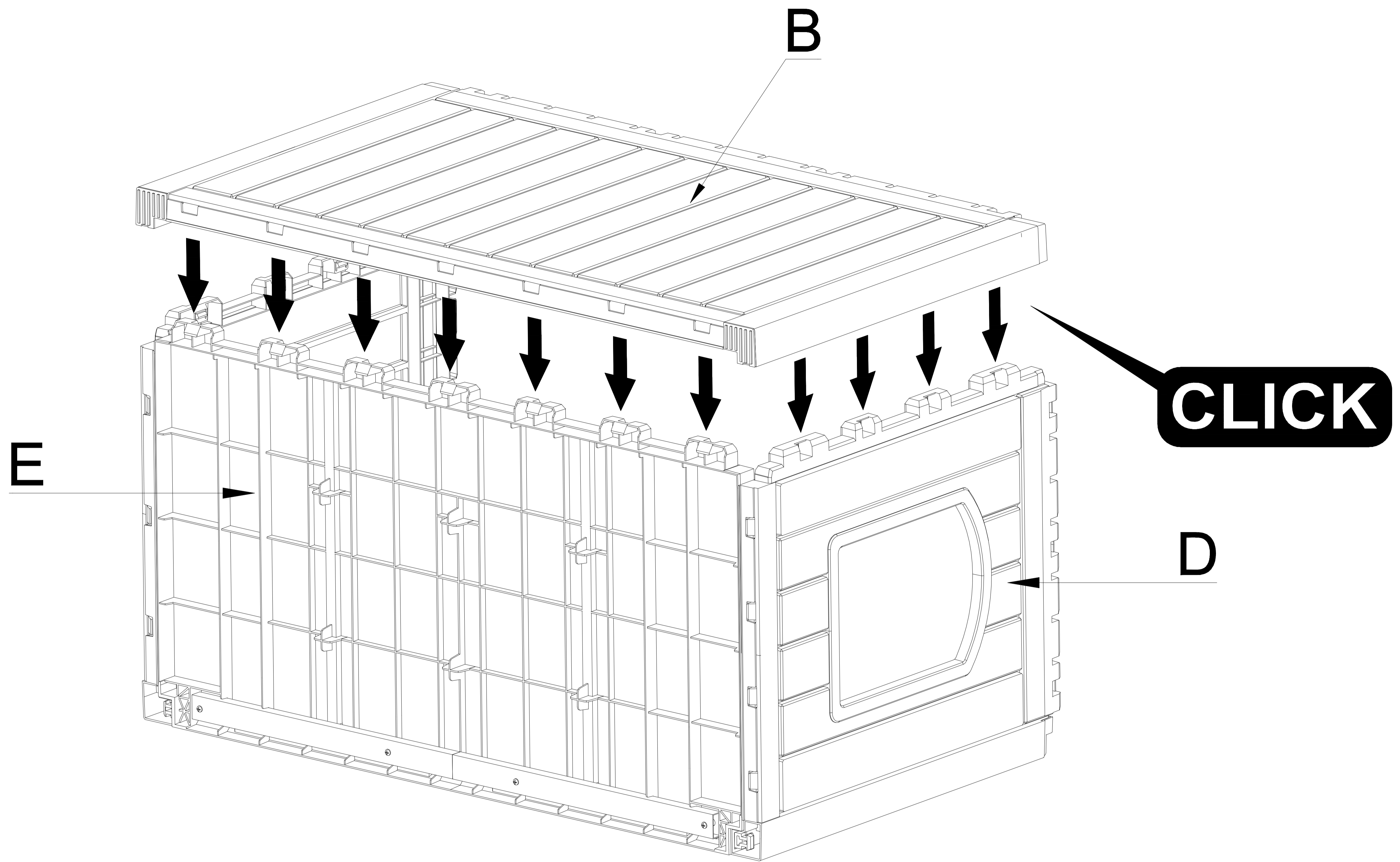
4



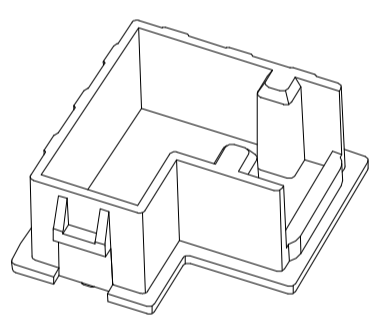
5



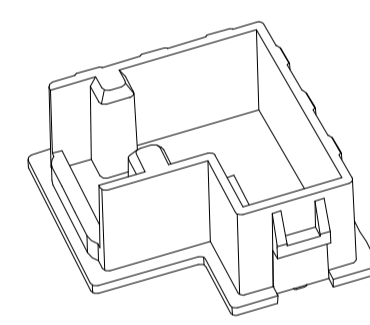
B(X1)



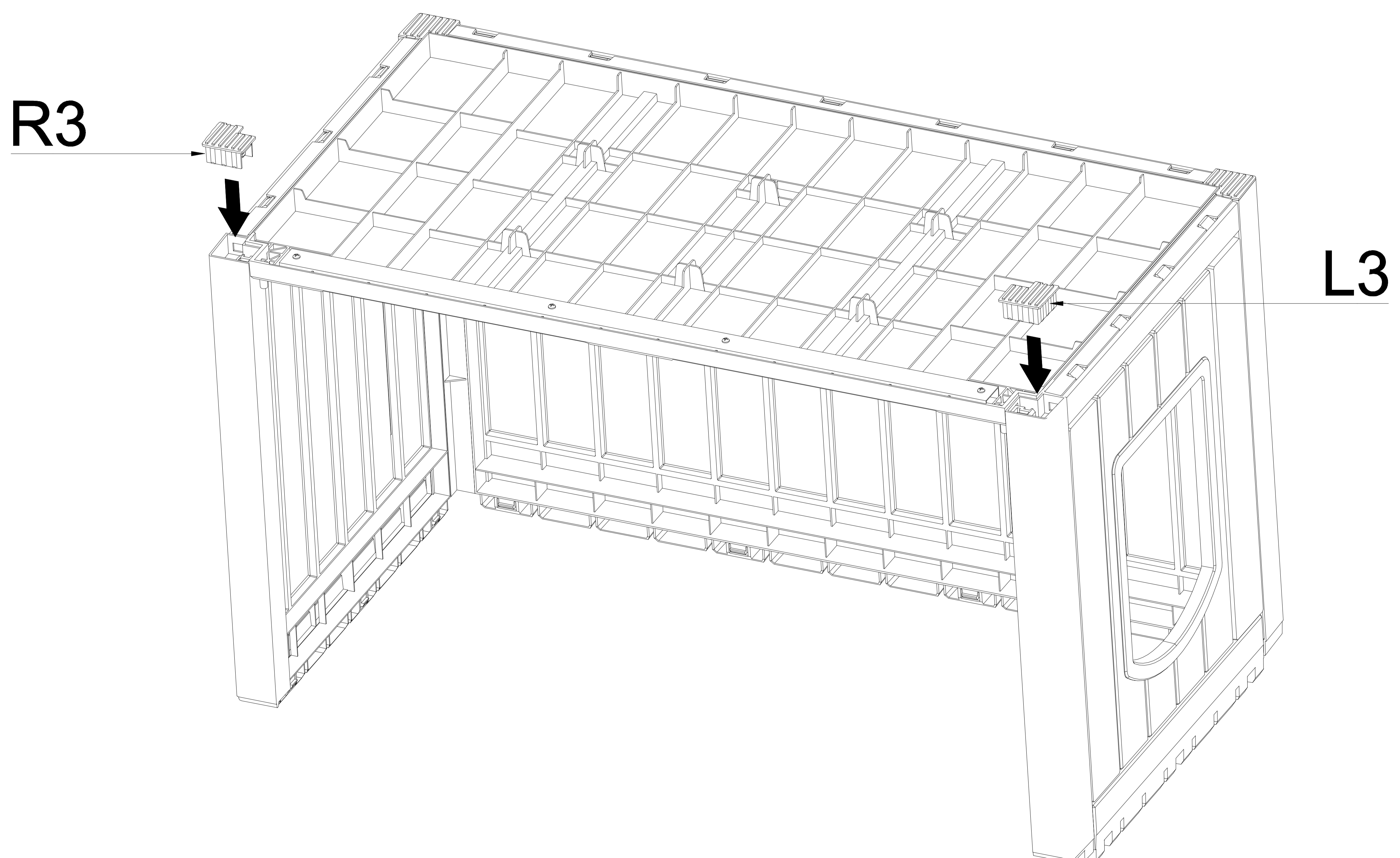
6



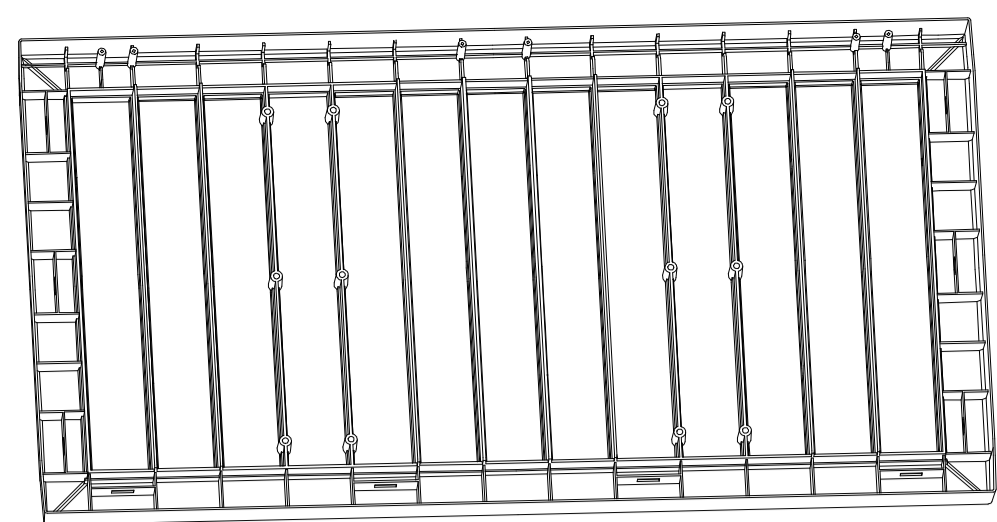
R3(X1)



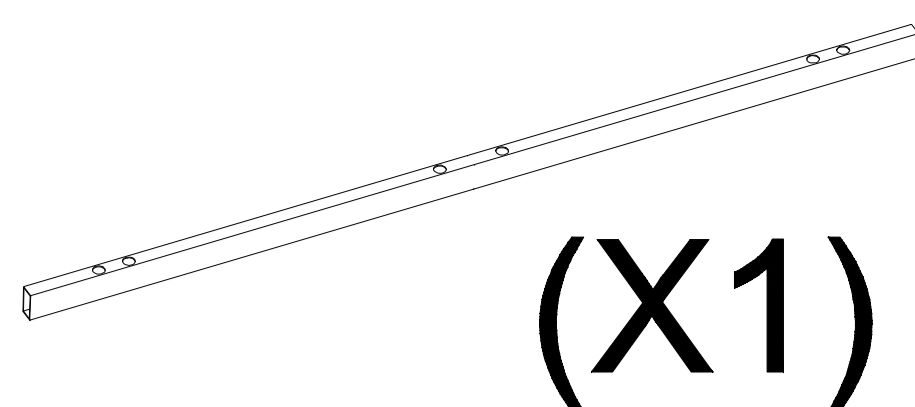
L3(X1)



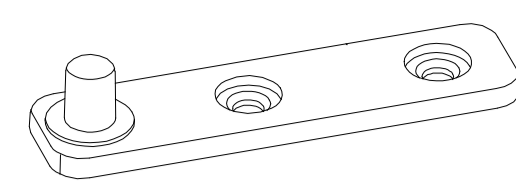
7



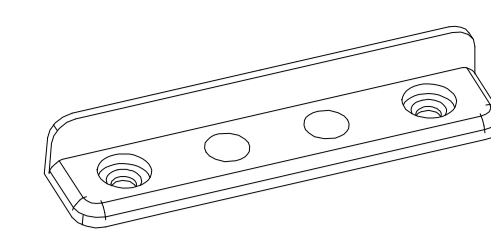
J(X1)



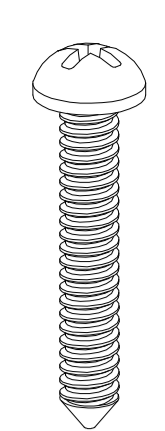
930X15X30 (X1)



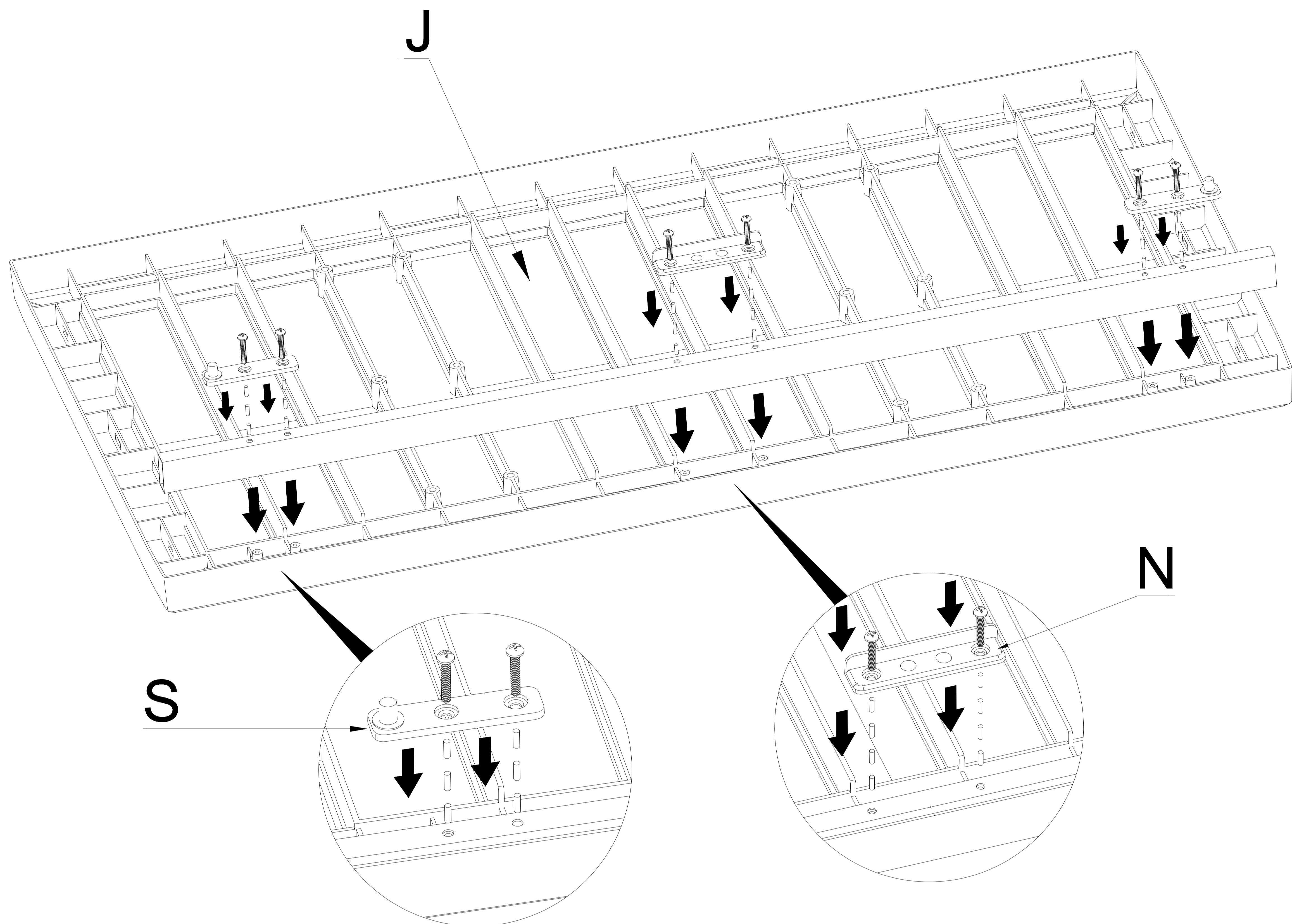
S(X2)



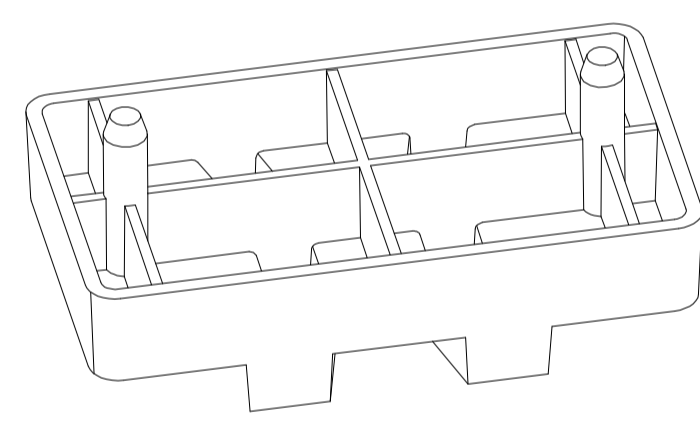
N(X1)



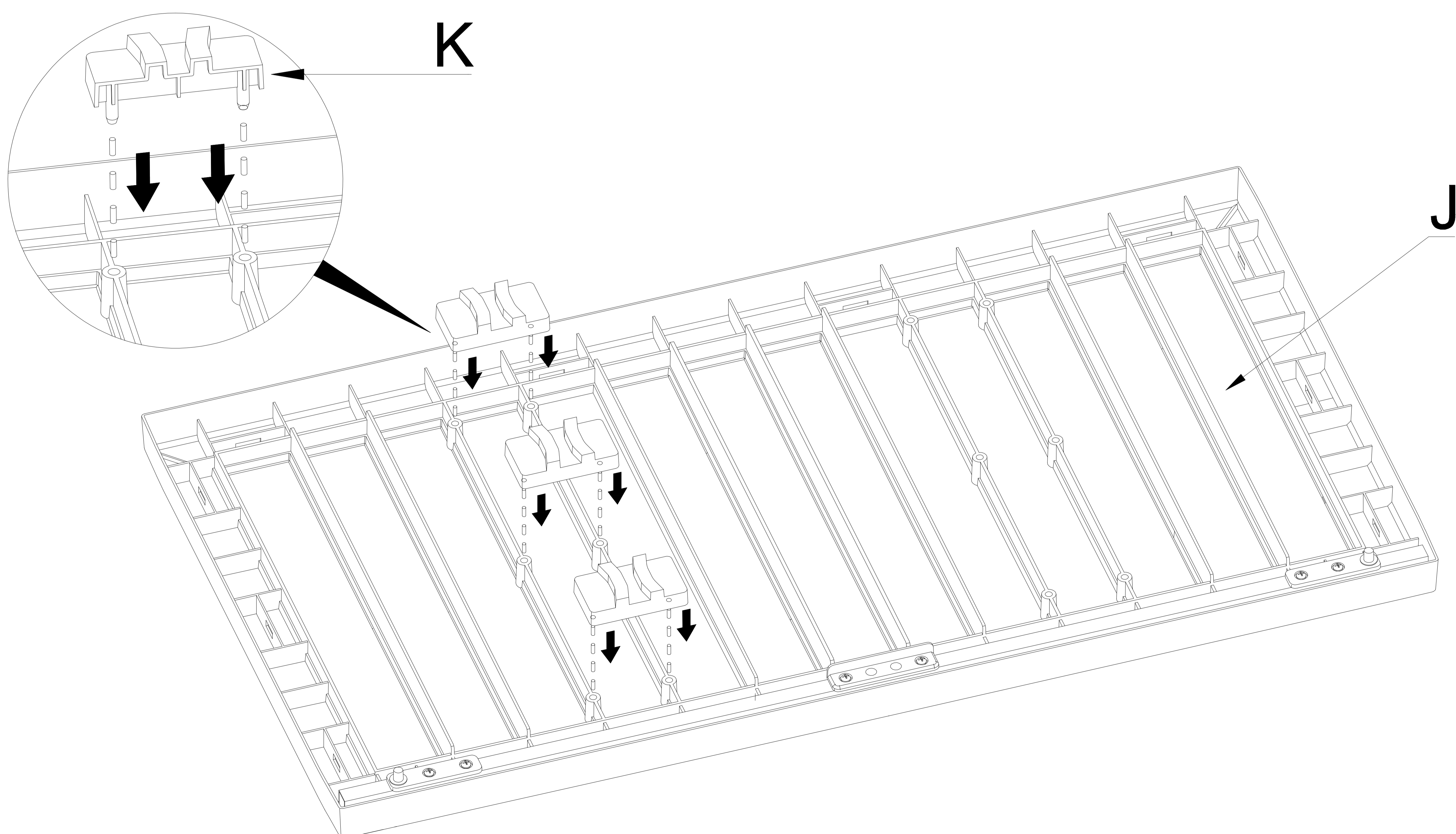
M4x25 (X6)



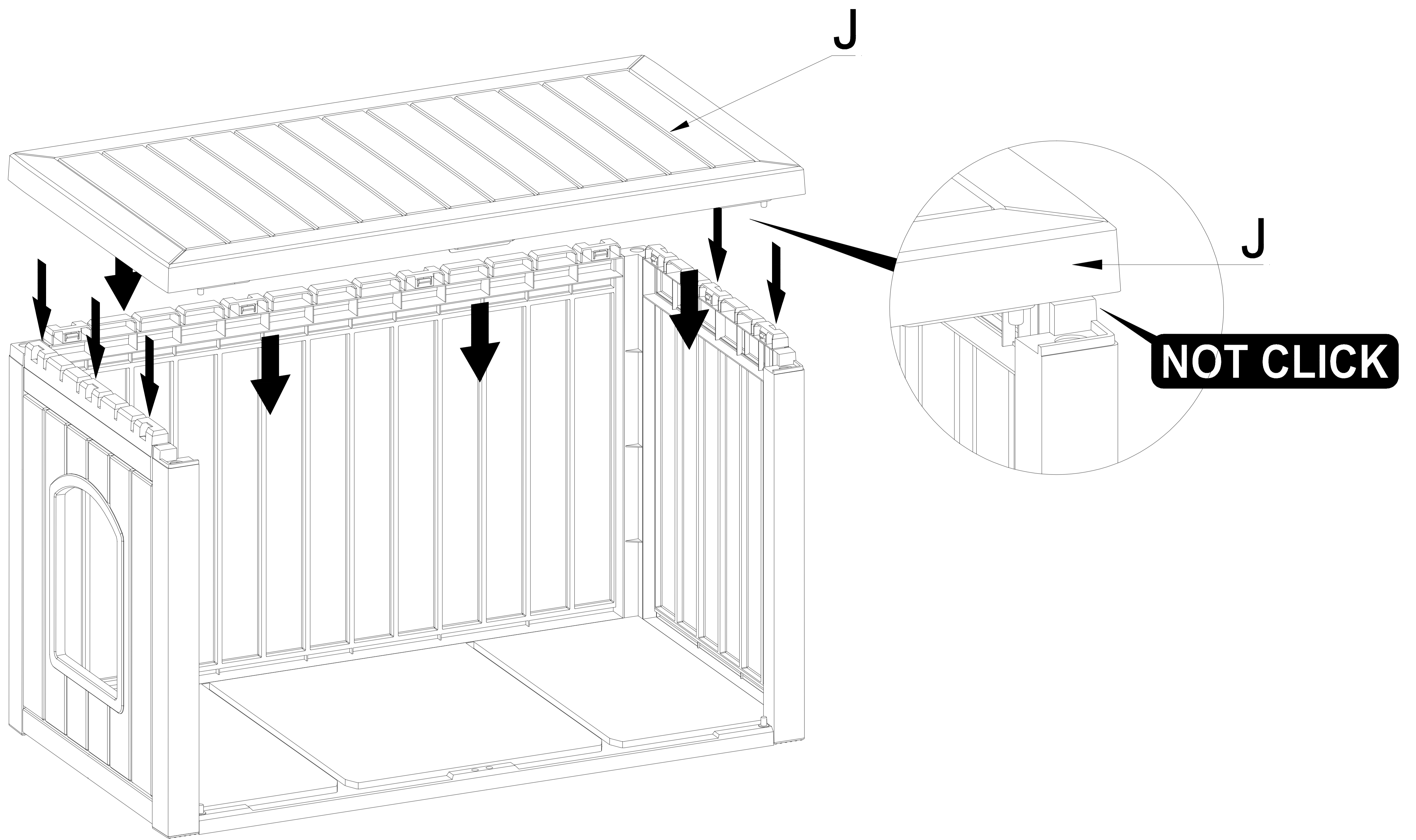
8



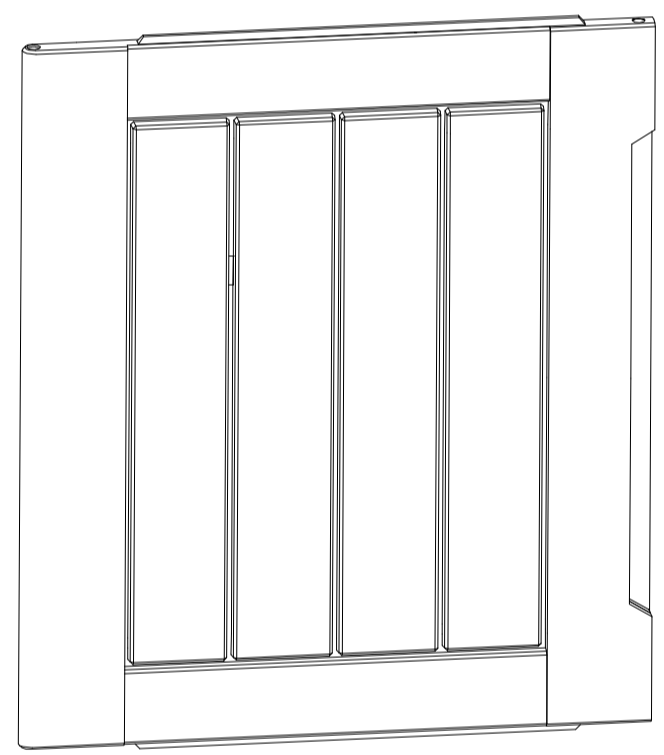
K(X3)



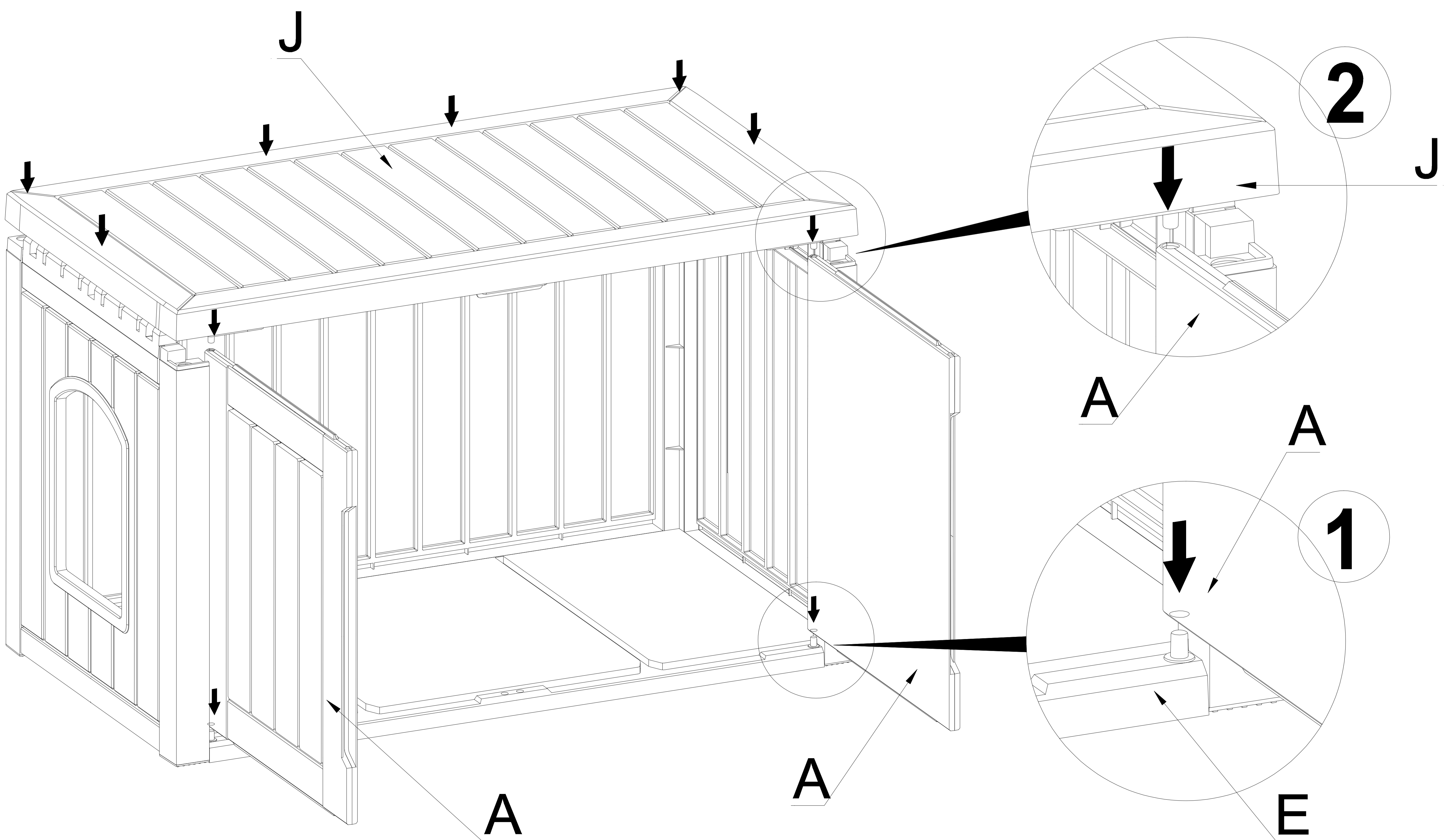
9



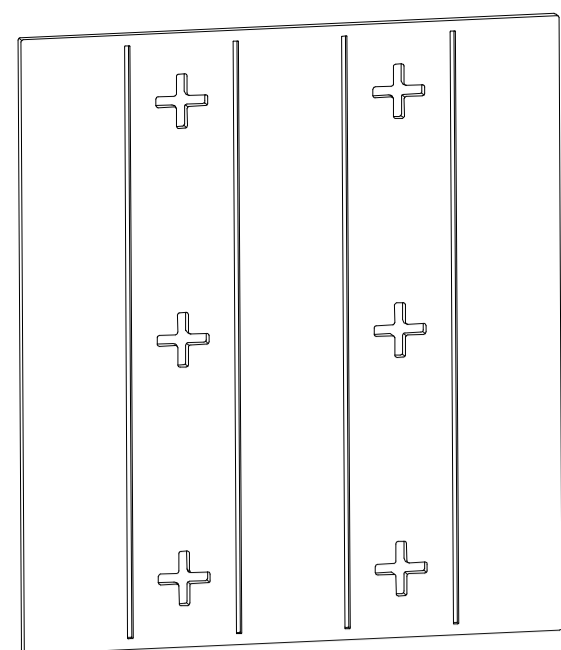
10



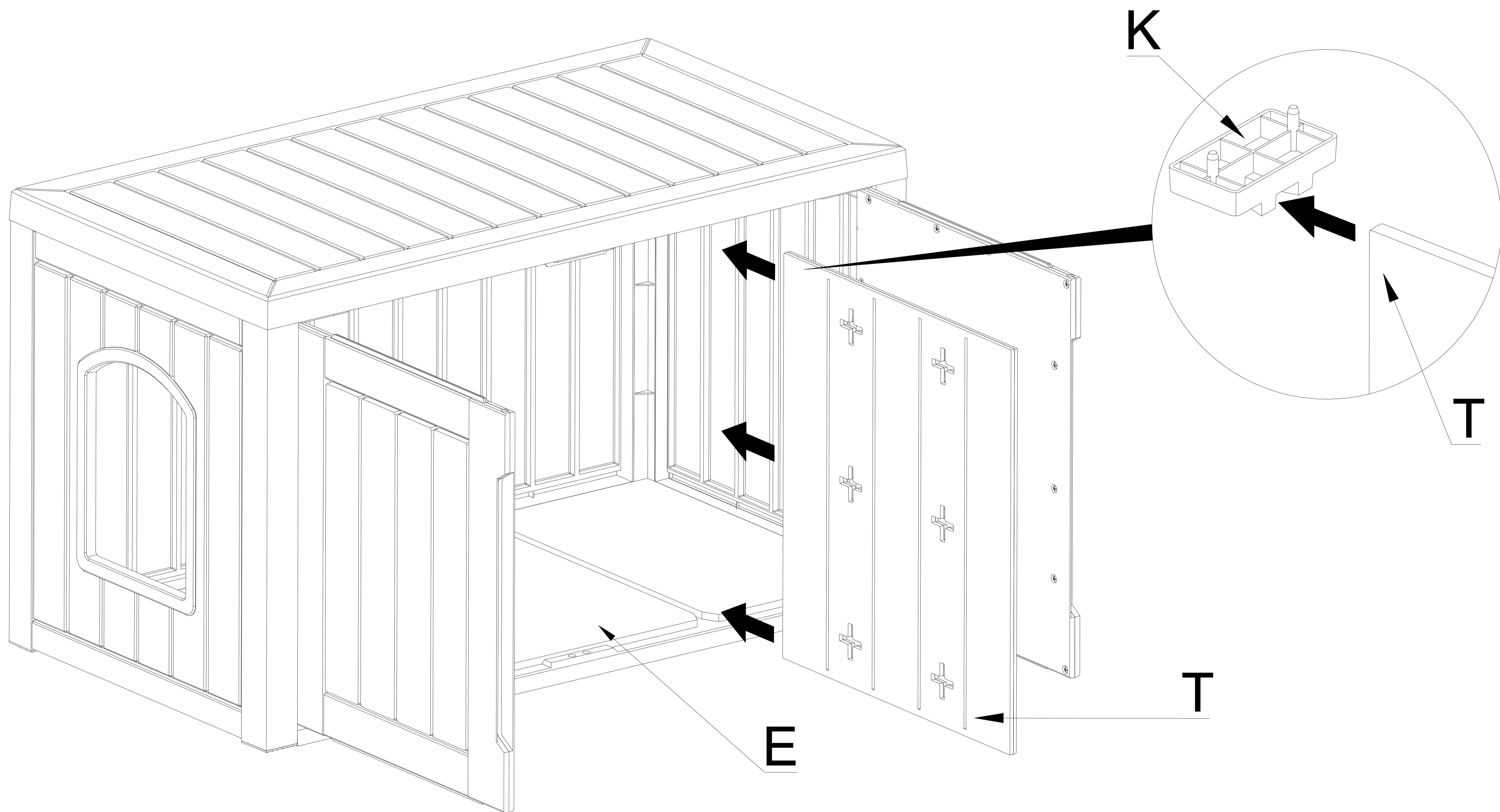
A(X2)



11



T(X1)



12

