

## ASSEMBLY INSTRUCTIONS PAVIA DINING TABLE

ASSEMBLY  
REQUIREMENTS



2-Person  
Assembly

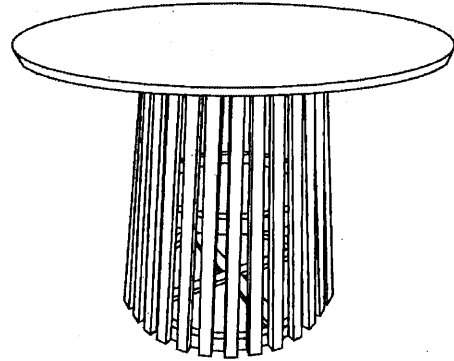
45 Minutes Per Chair  
Assembly Time  
(Approximate)

**DO NOT USE  
POWER TOOL**



### Thank you for purchasing our product!

Please refer and use this assembly instruction to assemble the product. Contact our customer service department in case there are any missing or damage parts or hardware. Replacement parts are normally shipped within 2 or 3 days.



### ASSEMBLY PREPARATION

1. Remove all packaging materials, staples and packing straps from the carton.
2. Refer to Parts List and Hardware List and ensure parts and hardware are correct before assembly. Contact customer service for missing parts.
3. Place all wooden parts on a clean, flat and soft surface (e.g. carpet or rug) to prevent scratch and damage to parts.

### SAFETY PRECAUTION :

1. KEEP ALL HARDWARE PARTS OUT OF REACH OF CHILDREN.
2. DISPOSE PLASTIC PACKAGING MATERIAL IMMEDIATELY TO AVOID ANY RISK OF SUFFOCATION TO CHILDREN AND ANIMALS.

### TIPS FOR ASSEMBLY :




1. Allow ample room for assembly and in close proximity to where product will be placed.
2. Assemble the product on a surface that does not scratch or damage the exterior gloss and finish of the furniture.
3. Identify all of the parts, hardware and quantities required for each step.
4. During assembly, do not over-tighten any fittings as this may cause damage.
5. DO NOT USE POWER TOOLS TO ASSEMBLE THIS PRODUCT.
6. Always place the product on a flat, level surface.
7. Do not sit or stand on the partially assembled product; only use the product for which it is intended.


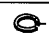


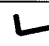
### CARE AND MAINTENANCE

Use a slightly damp cloth to clean the product. Do not use bleach or abrasive cleaning material. Check all the fittings periodically and re-tighten as necessary. Do not use the product if any of the parts is damaged or broken. Never allow any kind of liquid to remain on your furniture. Absorption can cause wood to warp or delaminate. Do not place hot items (e.g. hot drinks) directly onto the wood surface. Do not drag and/or pull the furniture.

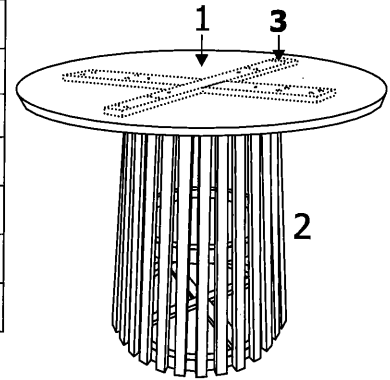
This product is for indoor and household use only - not for commercial use.

## ASSEMBLY INSTRUCTIONS PAVIA DINING TABLE

PART LIST (FOR 1 NOS. OF TABLE)		
NO.	DESCRIPTION	QTY
1	TABLE TOP 	1PC
2	TABLE BASE 	1PC
3	SUPPORT BAR 	2PCS

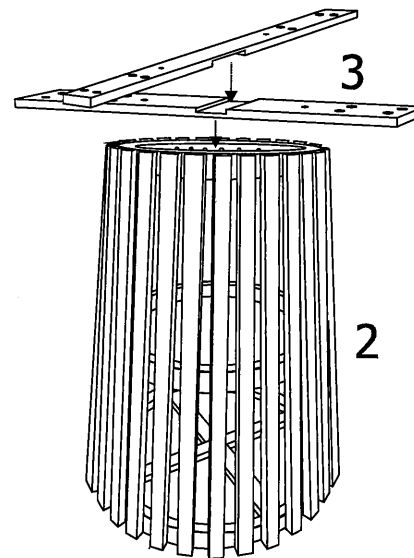
HARDWARE LIST (FOR 1 NOS. OF TABLE)					
NO.	DESCRIPTION		QTY	EXTRA	
A	M6 X 35MM JCBC		20PCS	1PC	
B	SPRING WASHER		20PCS	1PC	
C	FLAT WASHER		20PCS	1PC	
D	ADJUSTABLE STUD		4PCS	1PC	
E	ALLEN KEY		1PC	-	

\* Extra Hardware For Spare Use



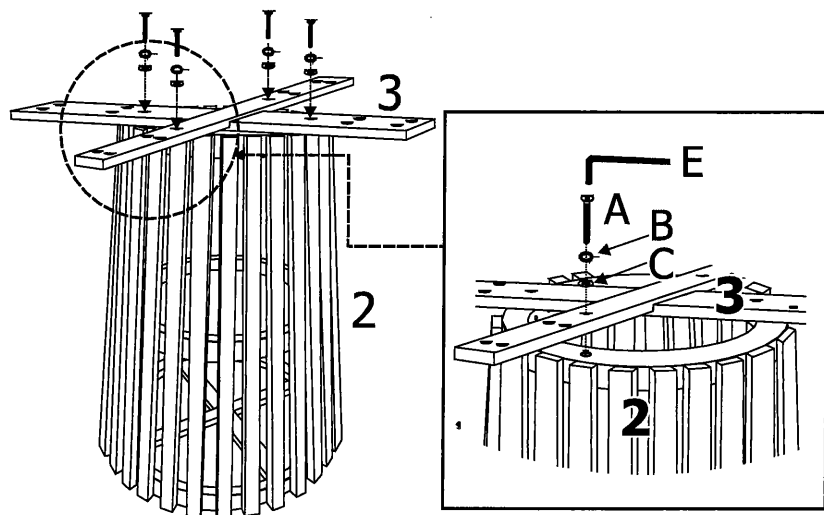
### STEP 1

- a) Set Table Base (2) right-side up.
- b) Fit Support Bar (3) together by mating the half lap joint at the center of each part and place the parts on the Table Base (2).



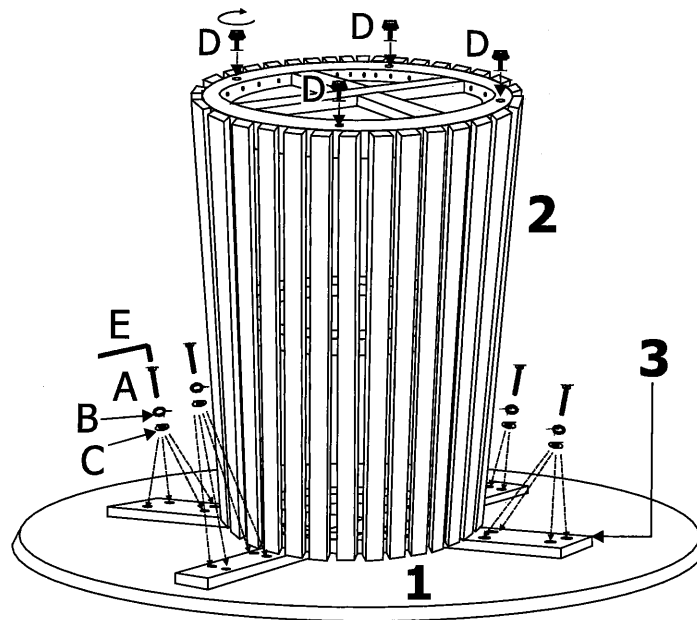
### STEP 2

- a) Align the screw holes on the Support Bar (3) to the screw holes on the ring stretcher of Table Base (2).
- b) Use JCBC Screw (A) fitted with Spring Washer (B) and Flat Washer (C) to fasten (3) to ring stretcher of Table Base (2). Use Allen Key (E) to drive (A). Do not tighten (A) completely until all 4 screws are in place.



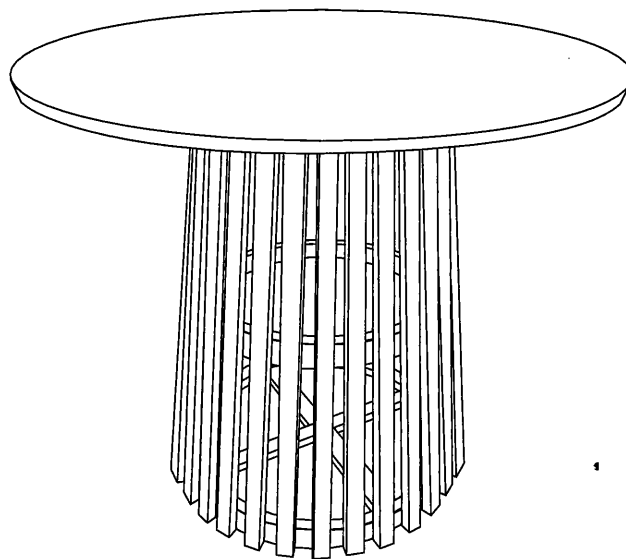
## ASSEMBLY INSTRUCTIONS PAVIA DINING TABLE

### STEP 3



- Lay Table Top (1) bottom-side up on a flat surface & soft material to prevent scratch and damage.
- Place Table Base (2) and Support Bar (3) assembly from STEP 2 bottom-side up on top of (1) and align the screw holes on Support Bar (3) to the screw holes on (1).
- Use JCBC Screw (A) fitted with Spring Washer (B) and Flat Washer (C) to fasten (1) to (3). Use Allen Key to drive (A). Do not tighten (A) completely until all 16 screws are in place.
- Screw in Adjustable Leg Stud (D) to the bottom of the Table Base (2).
- With assistance, set the table right-side up. Adjust Leg Stud to balance the table on uneven or unlevelled floor, if necessary.

### STEP 4



The assembly of the table is complete