

# 1-Light Trapezoidal Shade Metal Wall Light

**Caution:** Please turn off power before installation and read the manual carefully, we advise you contact professional electricians to install for safety purpose.

## Product Features

Style: Modern/Contemporary/Minimalist

Material: Metal

Base Type: E26

Light Source Included: No

Voltage: 120VAC

Wattage: 60W

## Package includes

1 x Wall Light

1 x Accessories Kit

1 x User' s Manual

## TOOLS REQUIRED



Ladder



Safety glasses



Electrical tape



Phillips screwdriver



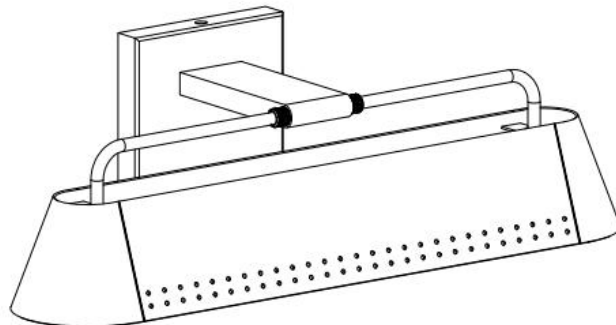
Flat blade screwdriver



Pliers



Wire strippers



Fixture



Mounting Unit



Screws



Mounting Screws

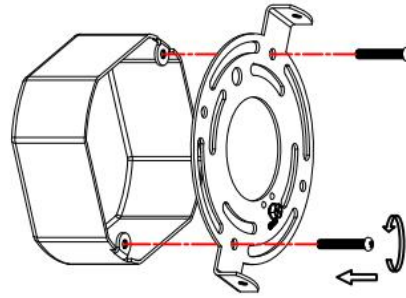


Wire Nuts

**\*PARTS SHOWN MAY DIFFER SLIGHTLY PER LIGHT FIXTURE**

### STEP 1

Use the **mounting screws** to attach the **mounting unit** to the junction box.



### STEP 2

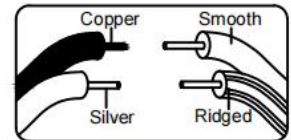
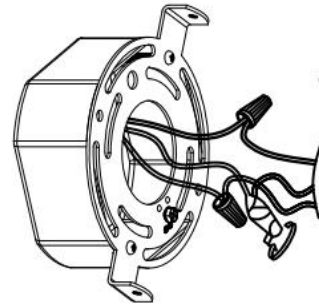
Make the electrical connection **from** the junction box to the fixture. Connect the ground wire to the **mounting unit** using the preinstalled green ground screw. Then, connect the positive, negative and ground wires with the supplied **wire nuts**. Secure with electrical tape

Connect Clear, Brown, Gold or Black Parallel Wire without tracer (round & smooth) or Black Fixture Wire to:

Black or Red Supply Wire or Insulated Wire (other than green) with copper conductor.

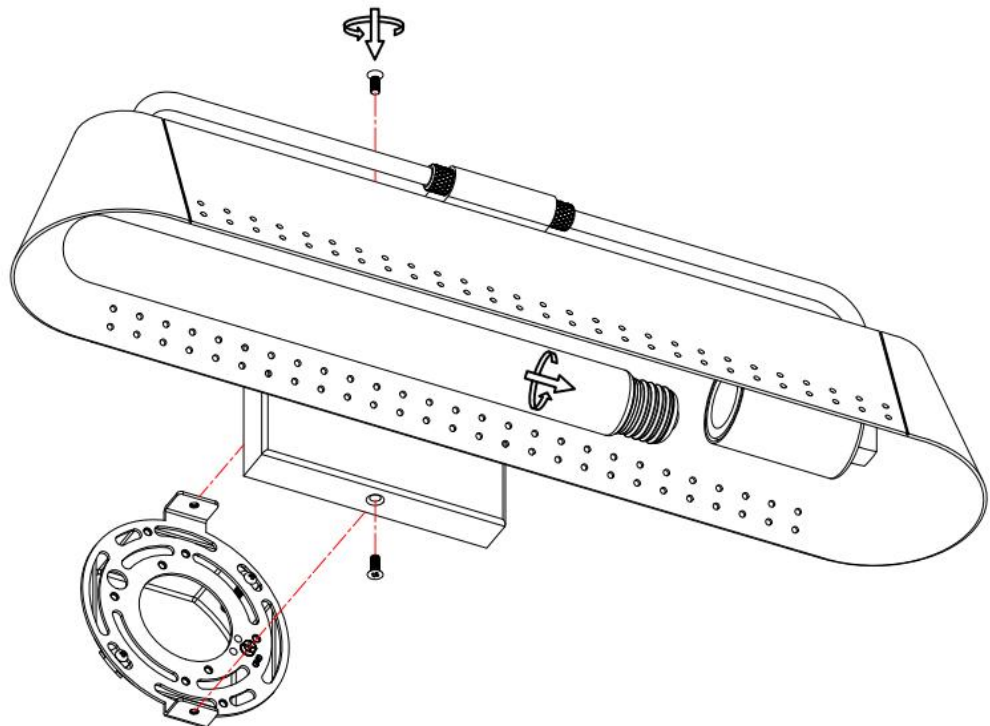
Connect Clear, Brown, Gold or Black \*Parallel Wire with tracer (square & ridged) or White Fixture Wire to:

White Supply Wire or Insulated Wire (other than green) with silver conductor



### STEP 3

Secure the **fixture** to the **mounting unit** with the screws.  
Install the bulbs (not included).  
Medium Base Type T 1\*E26-60W



**Note:** Please use this product accordingly to its intended purpose, do not retrofit or remodeling the product. The warranty does not cover if the failure is caused by the third party product, or natural disasters.

Made in China