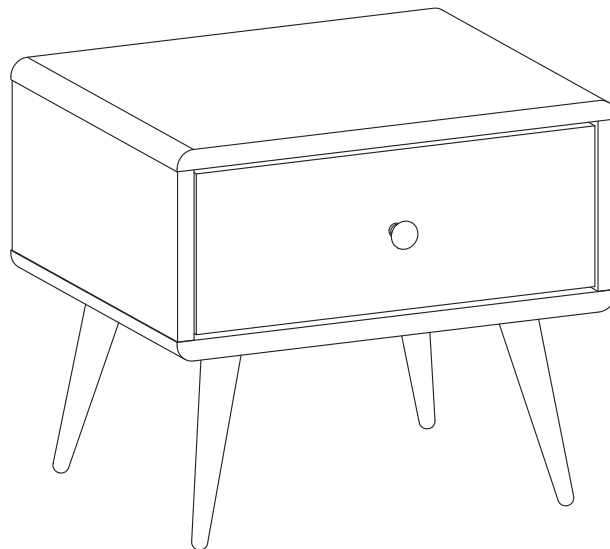


Night Stand

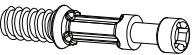




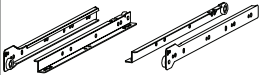





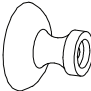


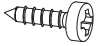
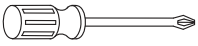
Thank you for purchasing the **Night Stand** !

Before you start, here is some helpful advice:

1. We suggest you spend a short time reading through this leaflet and then follow the simple step-by-step instructions.
2. Owing to the size and weight of the desk, we recommend that it is assembled by two adults, on a carpeted or padded area, in the room that it is intended for. Approximate assembly time: 60 minutes.
3. Please do not use any tools other than those provided or recommended in these instructions.
4. Please do not throw away any of the packaging or instructions until you have checked all the components and hardware and the furniture is fully assembled.
5. Assemble all components loosely until advised to tighten. Depending on use, it may be necessary to tighten the components from time to time, so please save the tools that have been provided.
6. Please keep all pieces out of reach of children.

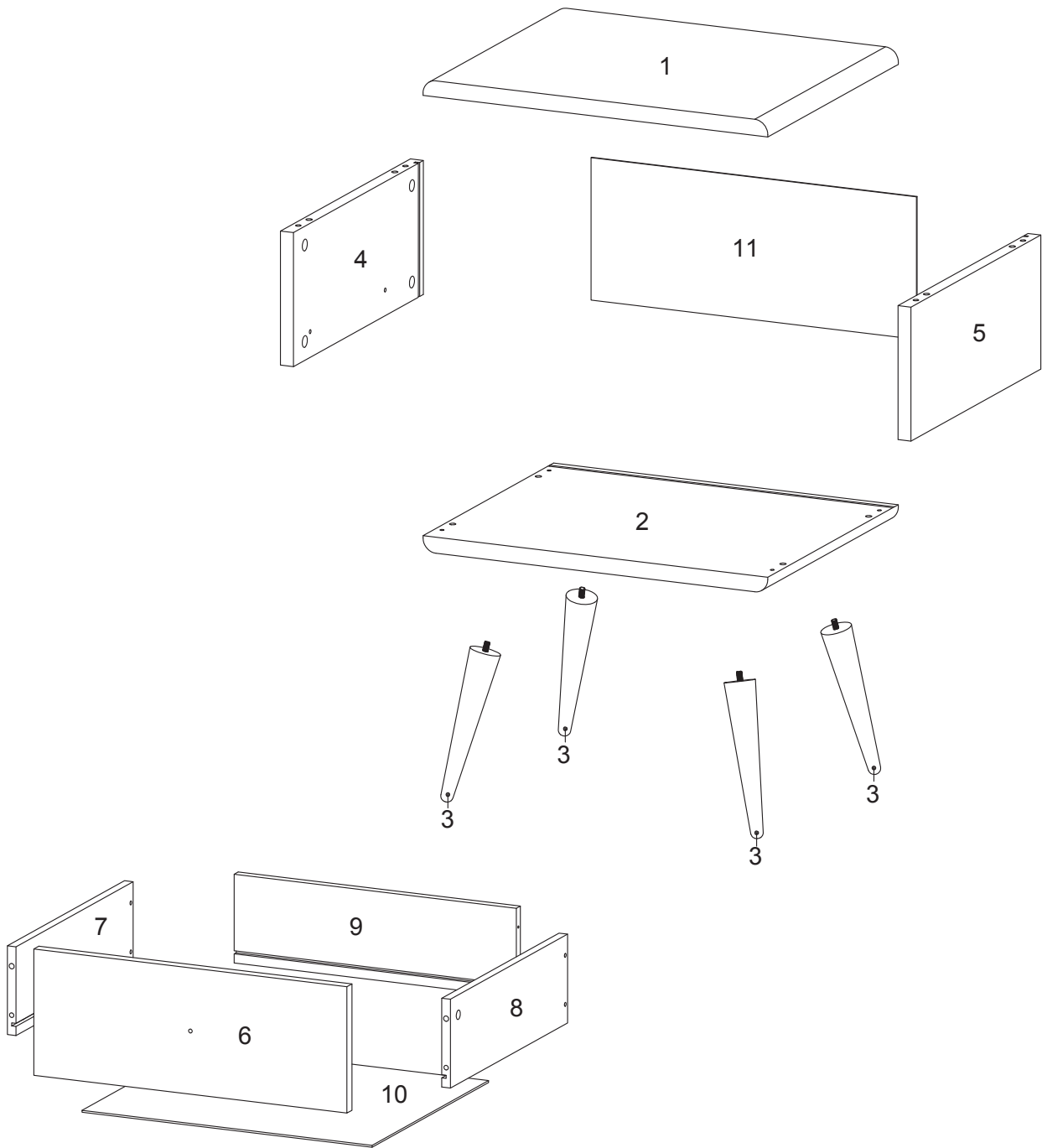


Hardware :

A  x10 $\varnothing 6 \times 35 \text{ mm}$	B  x8 $\varnothing 15 \text{ mm}$	C  x 2 $\varnothing 12 \text{ mm}$	D  x8 $\varnothing 8 \times 30 \text{ mm}$	E  x 2 $\varnothing 6 \times 30 \text{ mm}$
F  x 1 300 mm	G  x 4 M 6.5 x 10.5 mm	H  x 6 M 3.5 x 13 mm	I  x 4 M 8 x 39 mm	J  x 4 9 x 14 x 10 mm
K  x 4 M 3.5 x 15.5 mm	L  x 1 HANDLE	M  x 1 M 4 x 20 mm	N  x 4 70 x 62 x 17 mm	O  x 16 M 4 x 16 mm
P  x 1 Screwdriver (Not Include)				

Night Stand

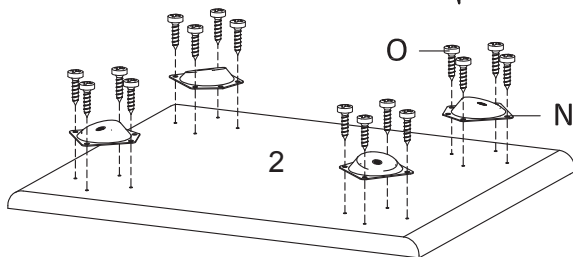
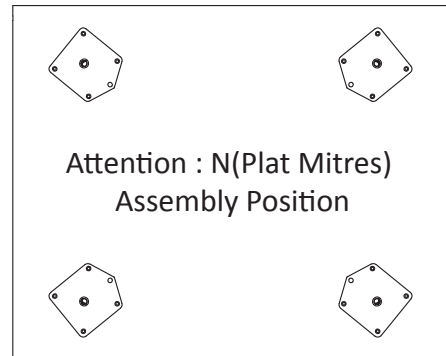
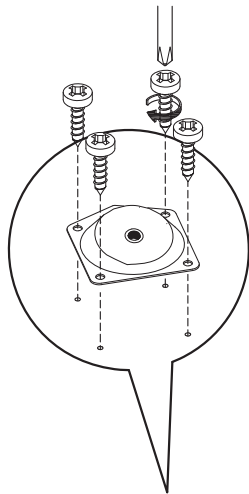
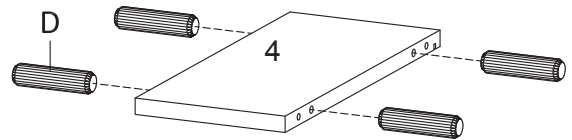
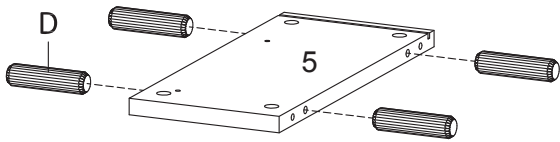
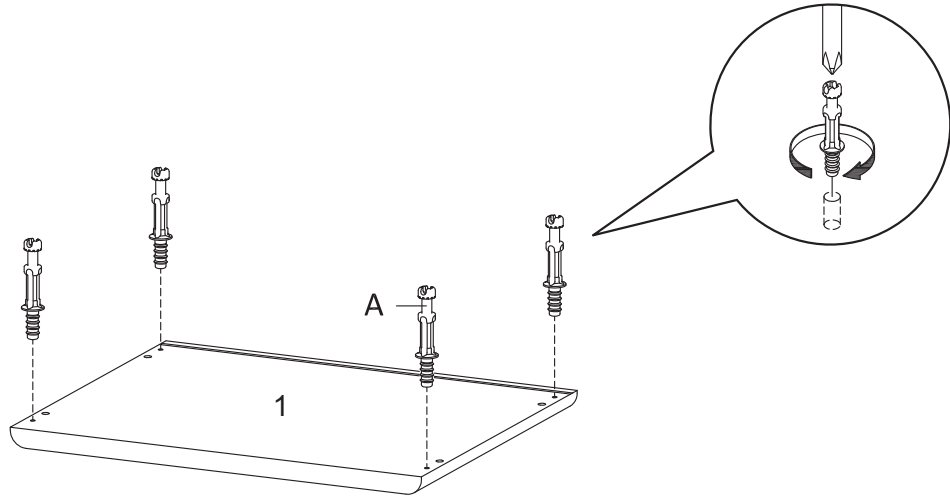
Components:




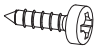



1	Top Board	x1	2	Bottom Board	x1	3	Leg	x4	4	Side Board Left	x1
5	Side Board Right	x1	6	Front Drawer	x1	7	Side Drawer Left	x1	8	Side Drawer Right	x1
9	Back Drawer	x1	10	Bottom Drawer	x1	11	Back Board	x1			

Night Stand

STEP 1:

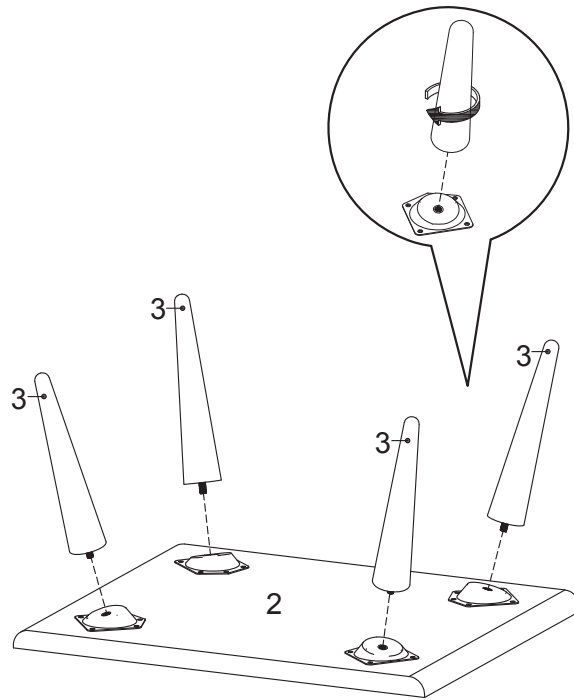


				
Ax4	Dx8	Nx4	Ox4	Px1

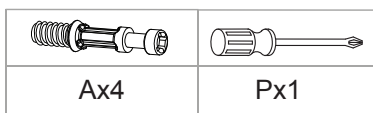
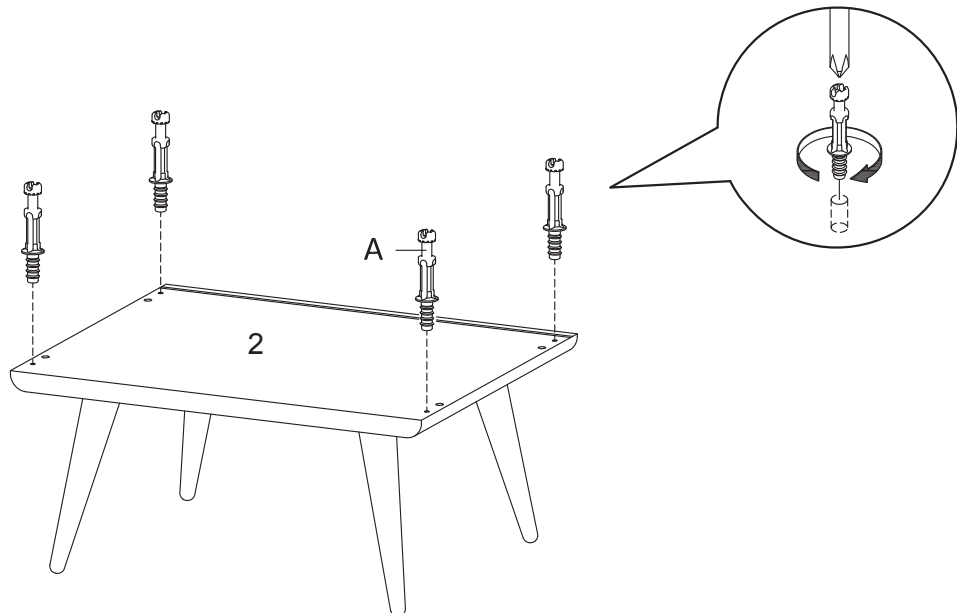
Hardware required.
Screwdriver not included

Night Stand

STEP 2:



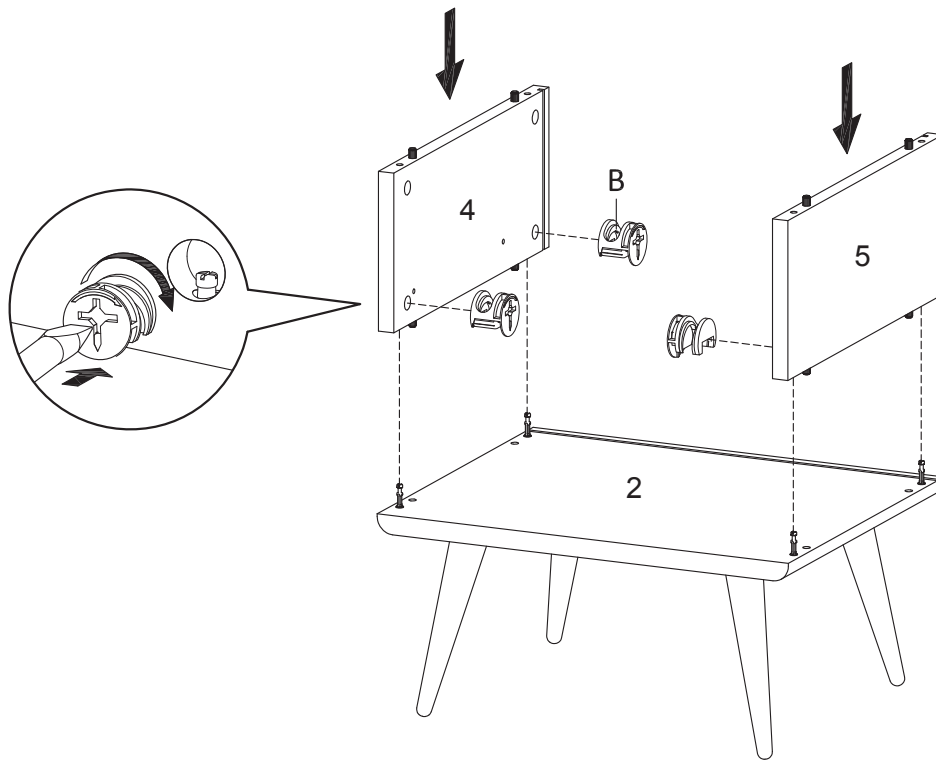
STEP 3:


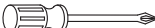


Hardware required. Screwdriver not included

Night Stand

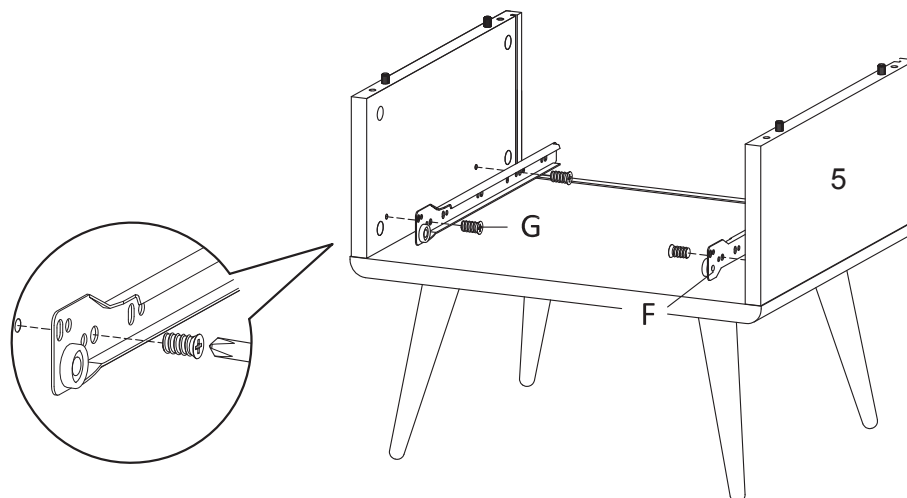
STEP 4:




	
Bx4	Px1

Hardware required. Screwdriver not included

STEP 5:

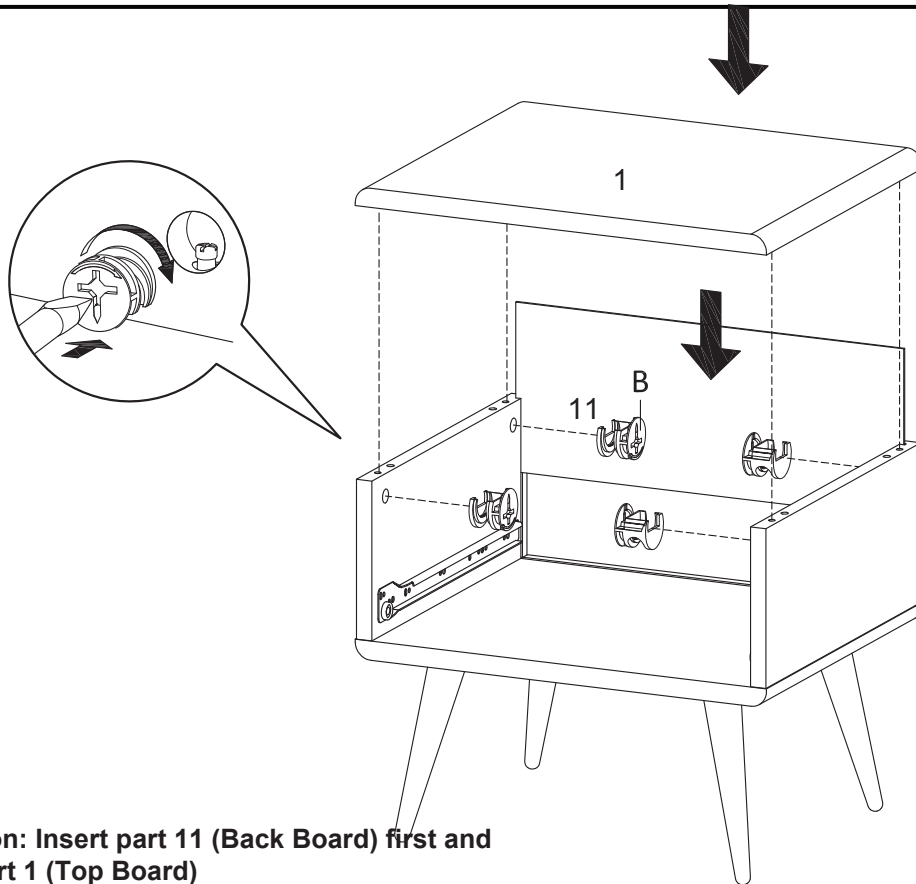


		
Fx1	Gx4	Px1


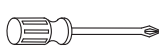
Hardware required. Screwdriver not included

Night Stand

STEP 6:

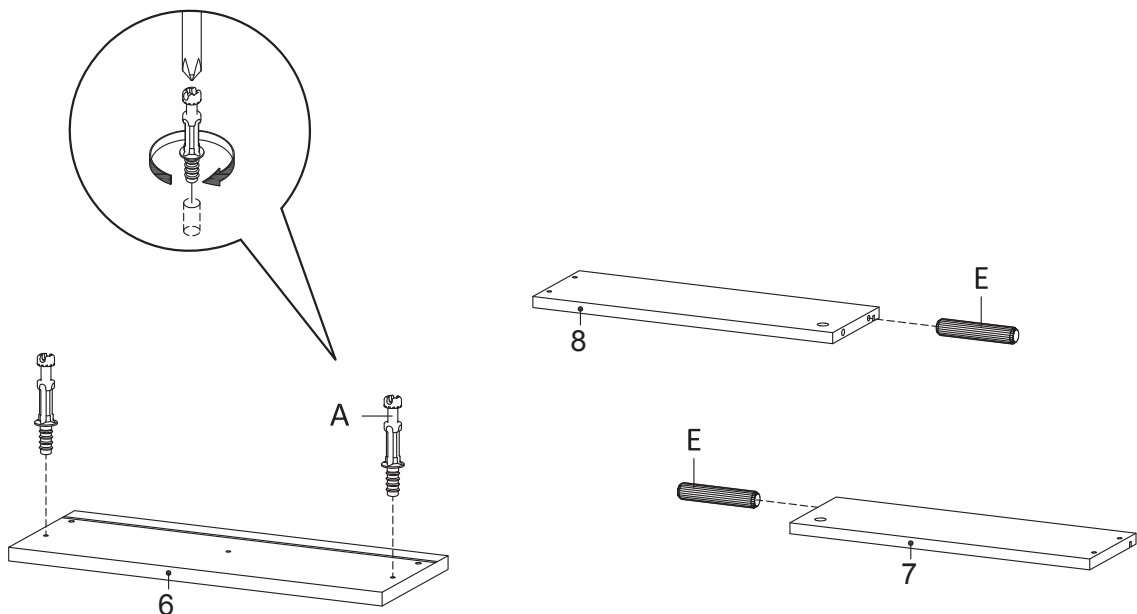





Attention: Insert part 11 (Back Board) first and then part 1 (Top Board)

	
Bx4	Px1

Hardware required. Screwdriver not included

STEP 7:

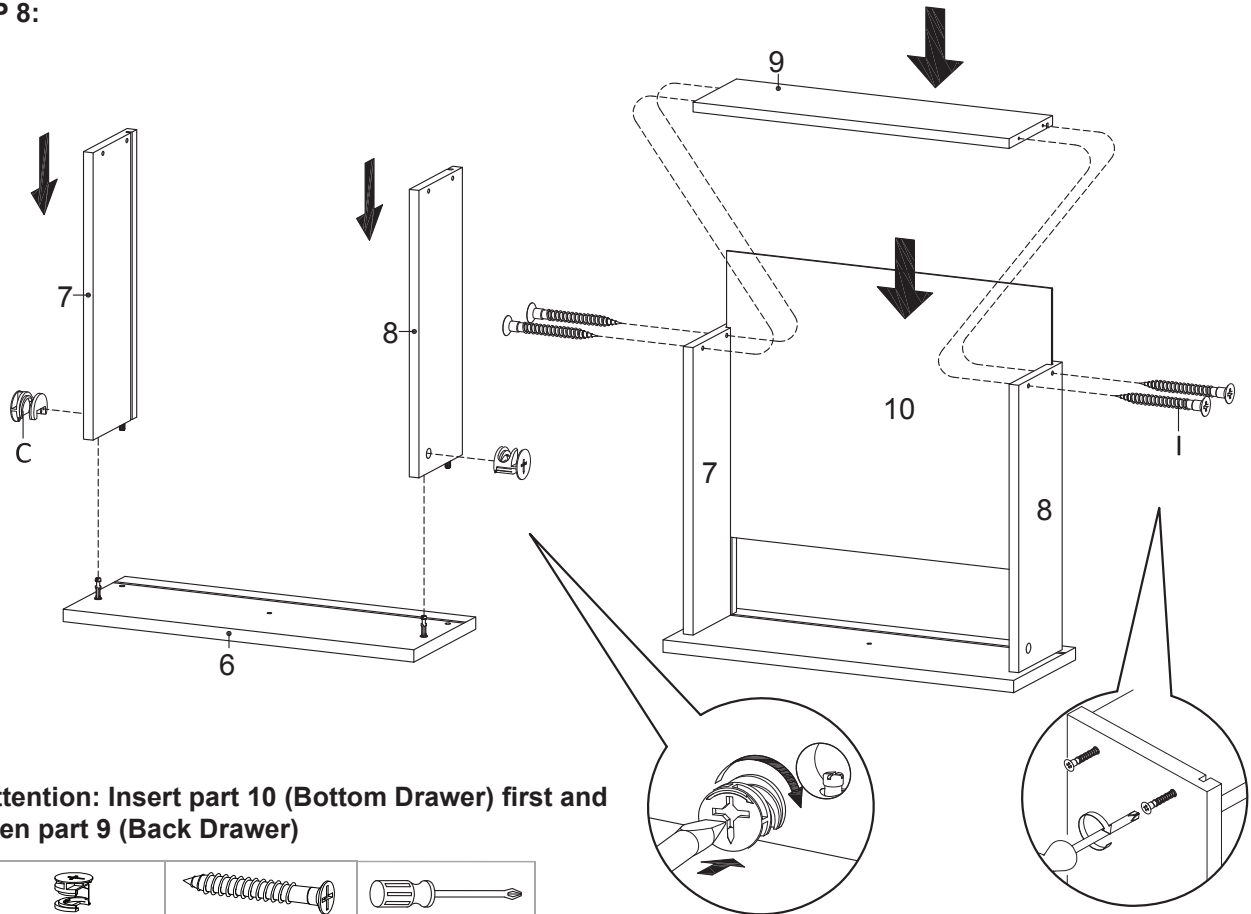


		
Ax2	Ex2	Px1


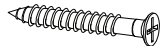

Hardware required. Screwdriver not included

Night Stand

STEP 8:

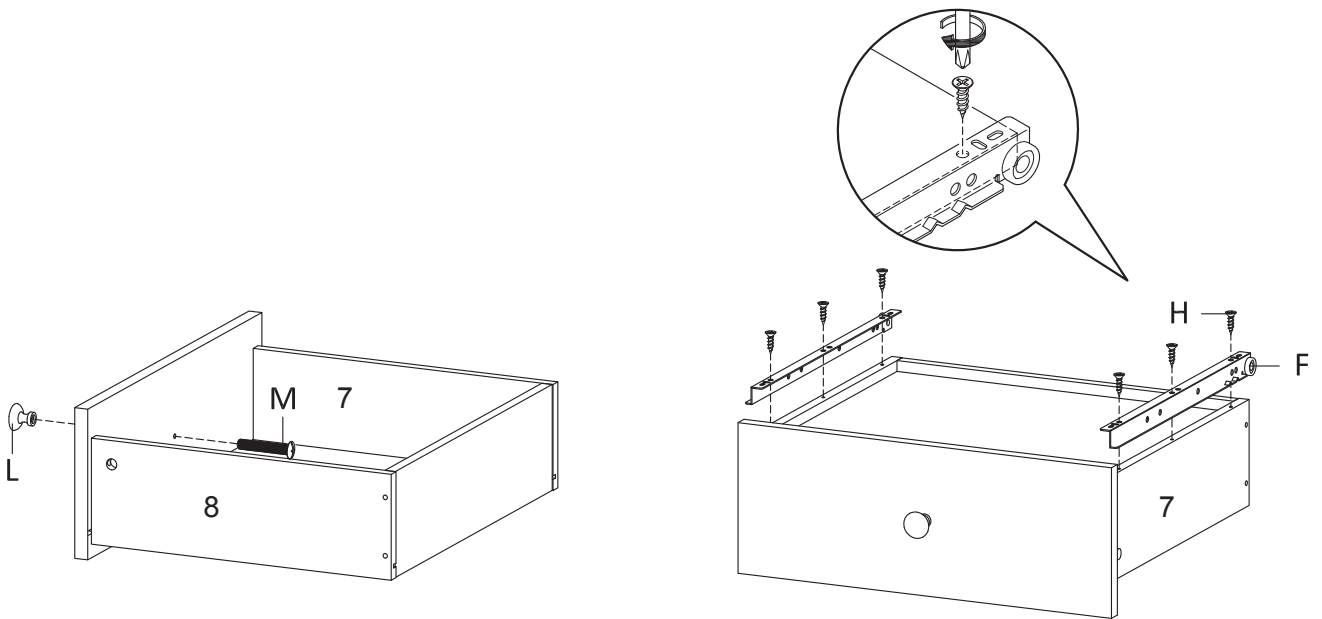


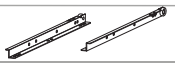
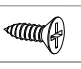
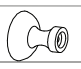
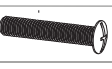
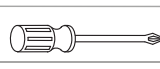
Attention: Insert part 10 (Bottom Drawer) first and then part 9 (Back Drawer)

		
Cx2	Ix4	Px1

Hardware required. Screwdriver not included

STEP 9:

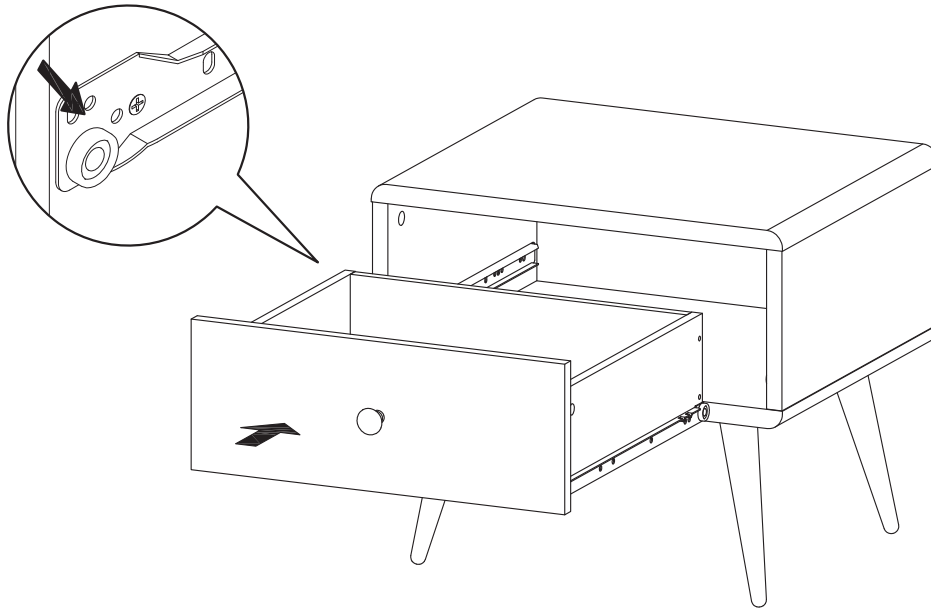


				
Fx1	Hx6	Lx1	Mx1	Px1

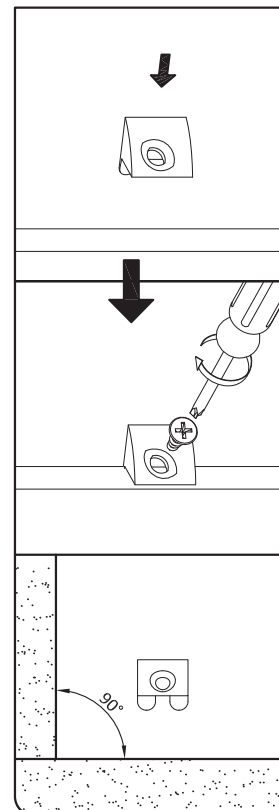
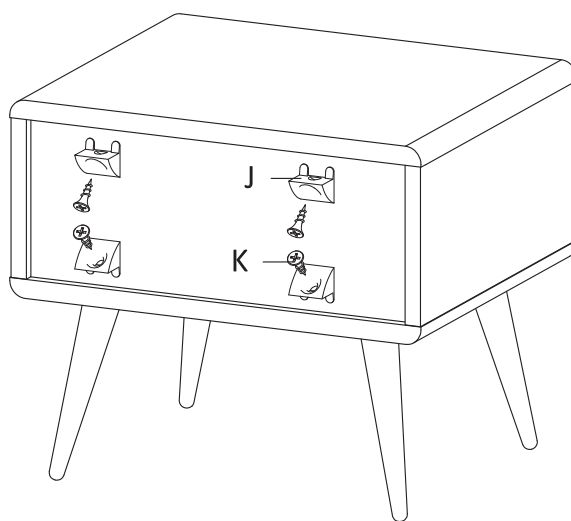
Hardware required.
Screwdriver not included




Night Stand

STEP 10:



STEP 11:

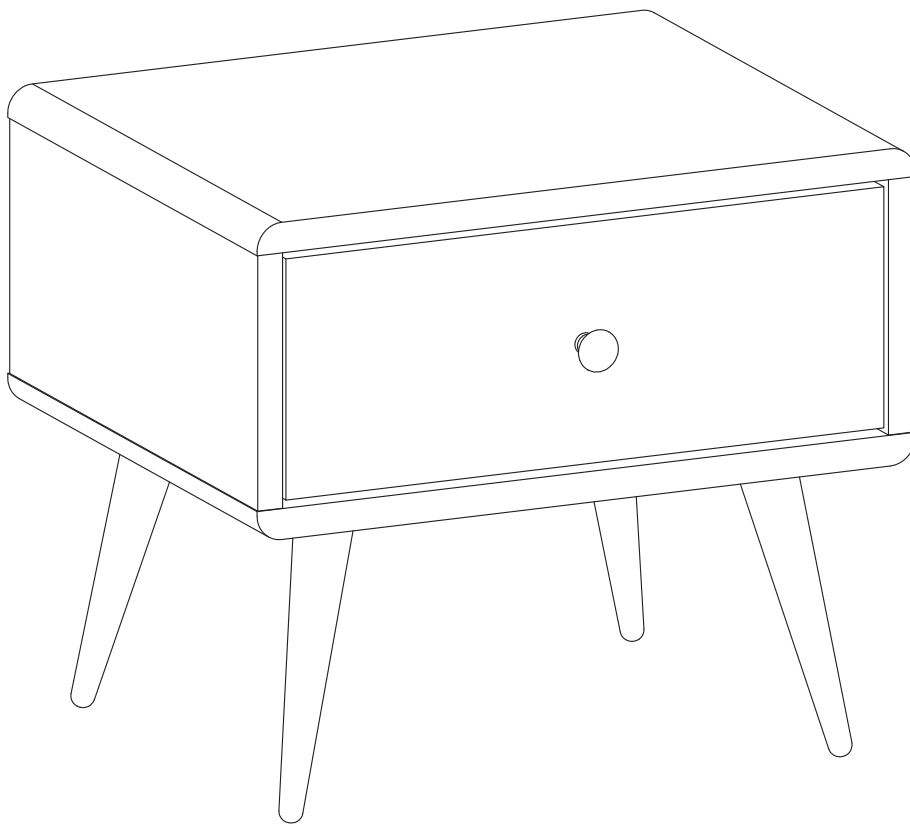


		
Jx4	Kx4	Lx1

Hardware required. Screwdriver not included

Night Stand

STEP 12:



Assembly is completed. The Night Stand is ready to enjoy now !