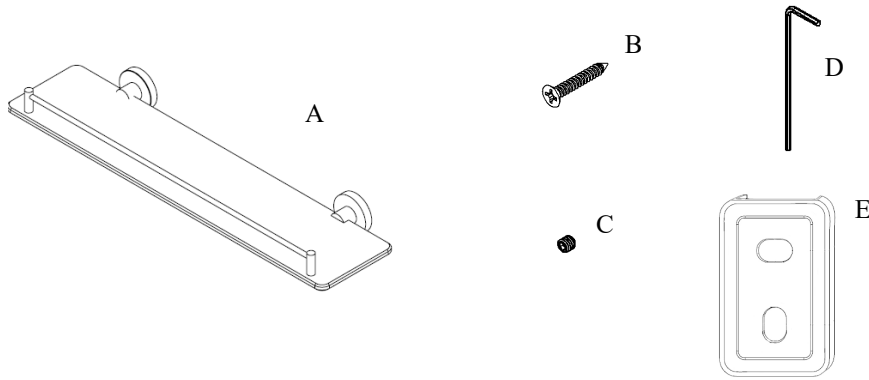


Lava Glass Shelf Installation Guide



Parts Included	QTY
A - Glass Shelf	1
B - Screw	4
C - Set Screw	2
D - Allen Key	1
E - Bracket	2

Description	Finish	Weight (lb)	WxHxD (mm)	WxHxD (Inches)	Metal Type
Lava Glass Shelf	Chrome	3.3	520 x 60 x 144	20.4 x 2.4 x 5.7	Brass
Lava Glass Shelf	Brushed Nickel	3.3	520 x 60 x 144	20.4 x 2.4 x 5.7	Brass
Lava Glass Shelf	Matte Black	3.3	520 x 60 x 144	20.4 x 2.4 x 5.7	Brass

Warranty: 2 Years

Care & Maintenance: A periodic wash using warm water and a soft cloth will retain the high quality finish of your product for many years to come. **ON NO ACCOUNT** should any household bleaches, detergents, abrasive polishes, steel wool or other cleaning agents be used on this item.

