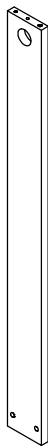


Ax2



Bx2



Cx4



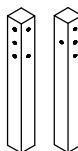
Dx4



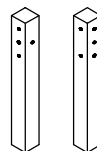
Ex26



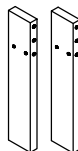
Fx6



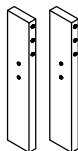
Gx2



Hx2



Ix2



Jx2



Kx2



Lx1



Mx5
M6x $\frac{135}{5.3}$



Nx12
M6x $\frac{85}{3.3}$



Ox4
M6x $\frac{60}{2.4}$



Px6
M7x $\frac{60}{2.4}$



Qx136



Rx1



Sx30



Tx10



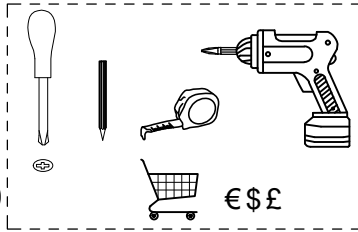
Ux10



Vx16



Wx10



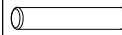
mm
inch



x2

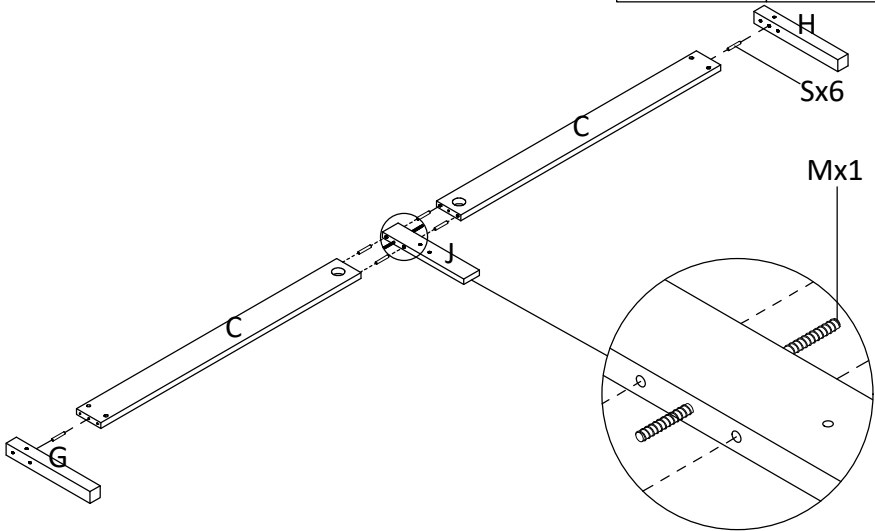
① x2

Sx12



Mx2

M6x $\frac{135}{5.3}$



Mx1

Sx6

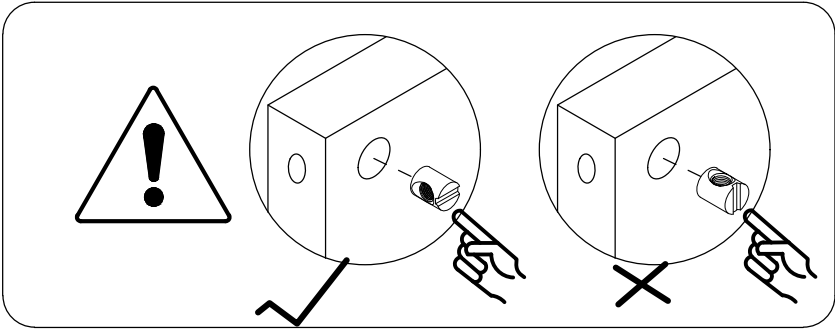
H

C

J

C

G



② x2

Vx8



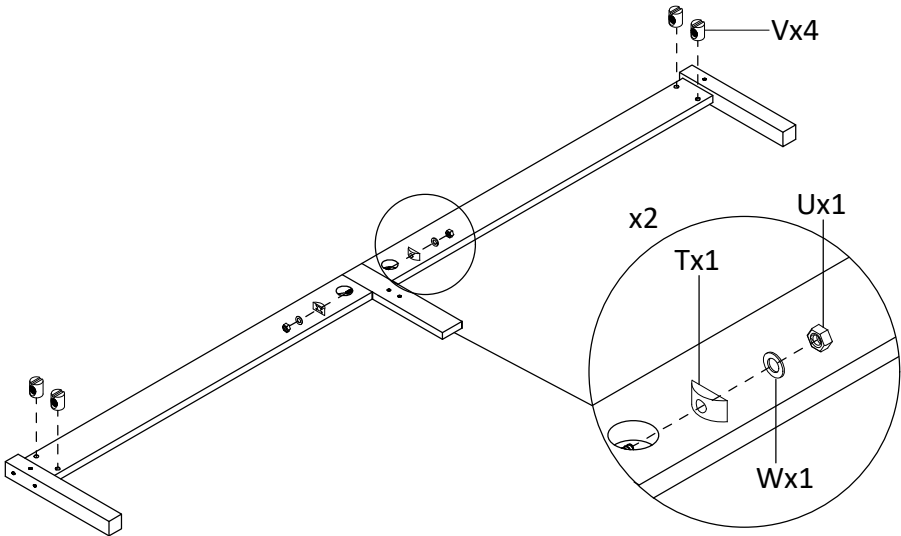
Tx4

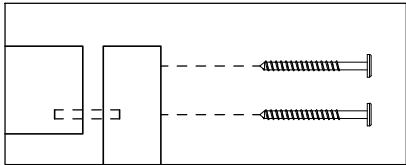


Ux4

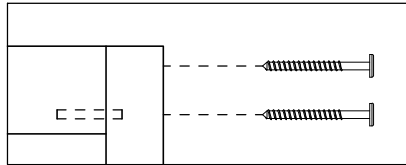


Wx4





✗



✓

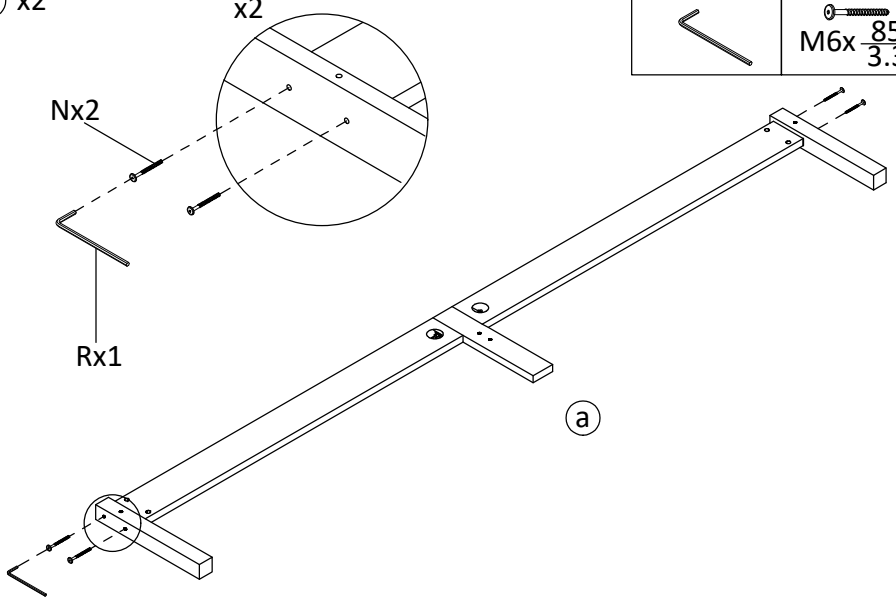
③ x2

x2

Rx1

Nx8

M6x $\frac{85}{3.3}$



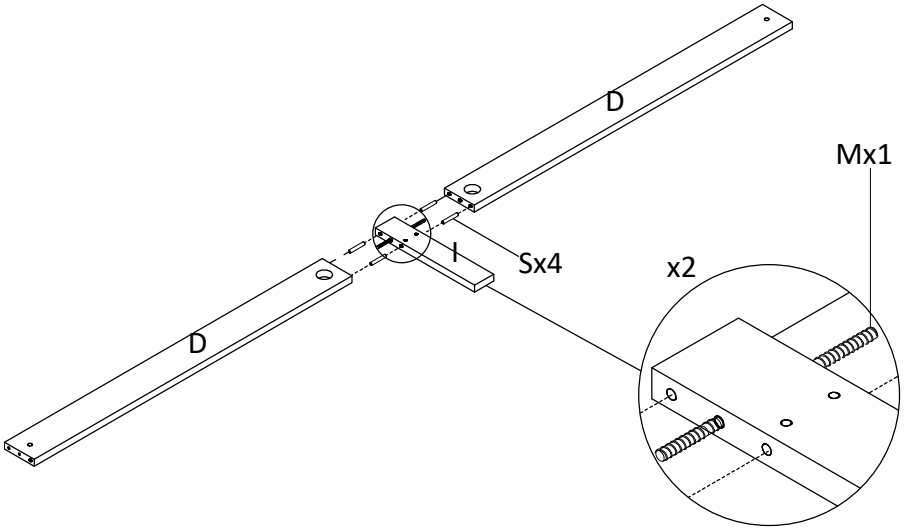
④ x2

Sx8



Mx2

M6x $\frac{135}{5.3}$



⑤ x2

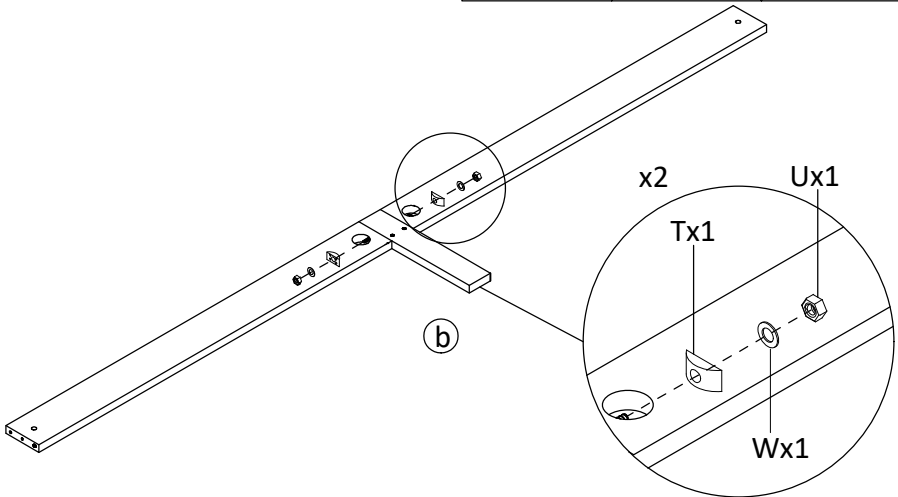
Tx4



Ux4

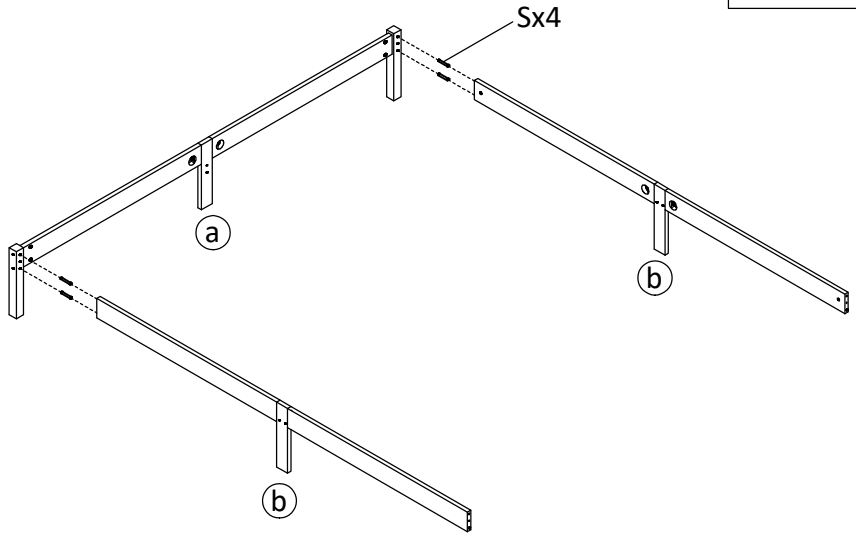
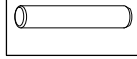


Wx4



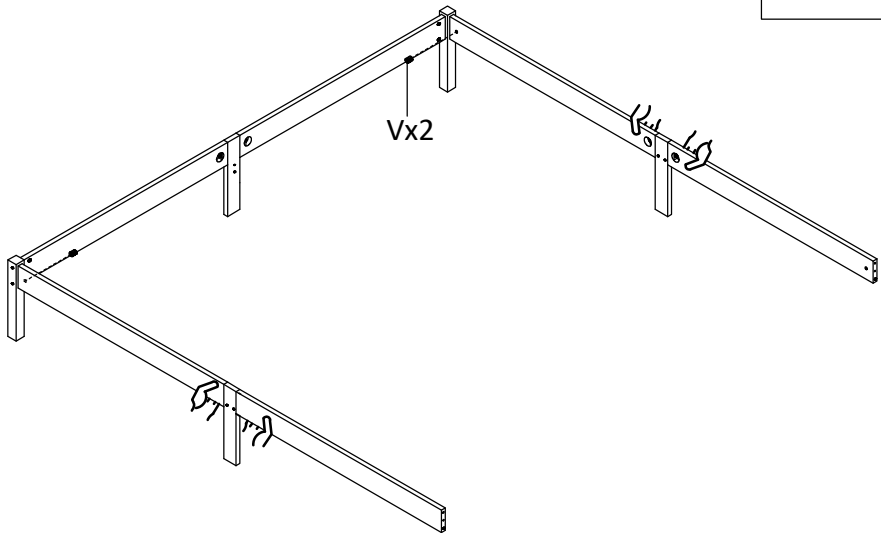
6

Sx4

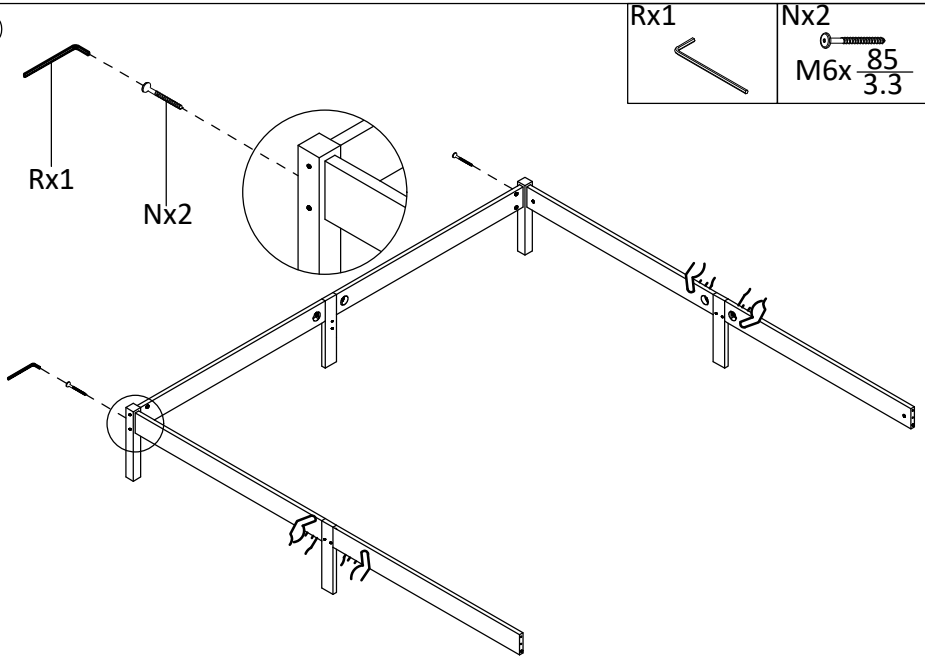


7

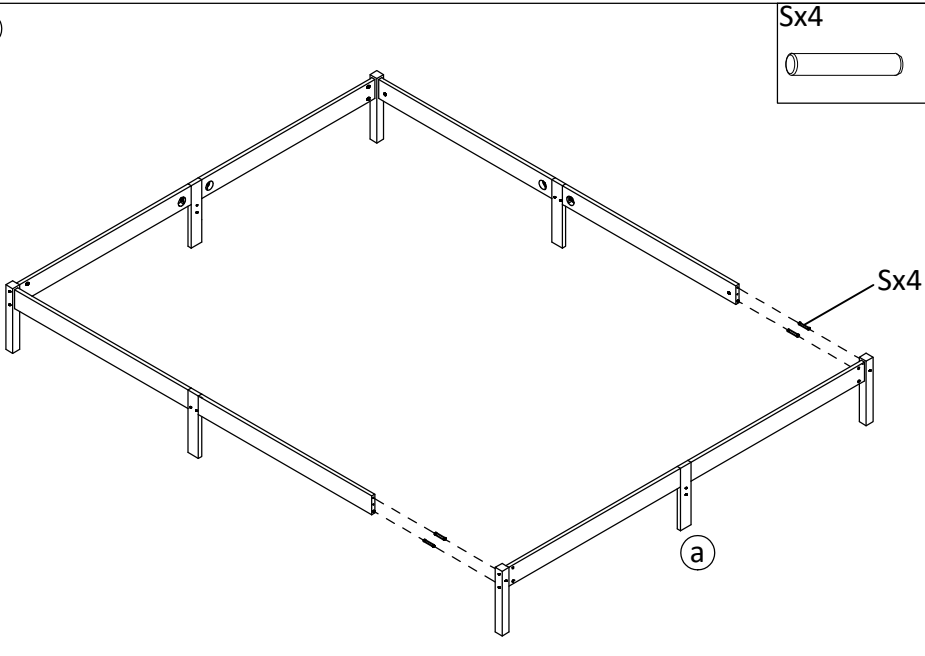
Vx2



8

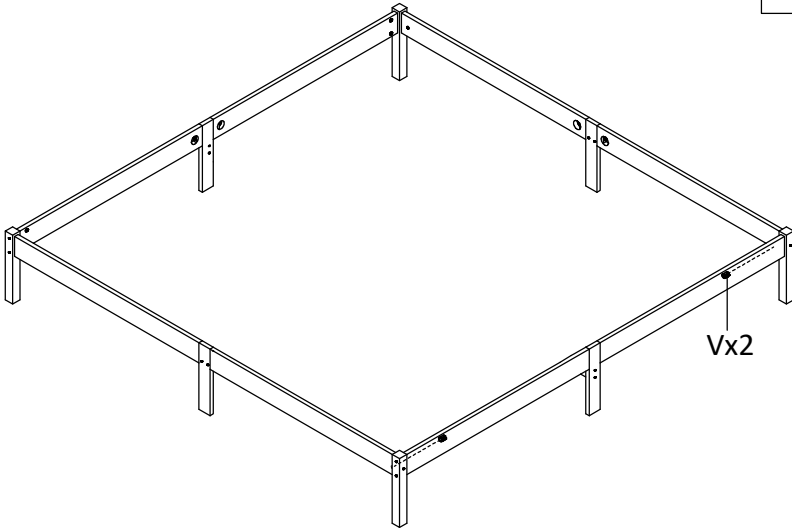


9



10

Vx2

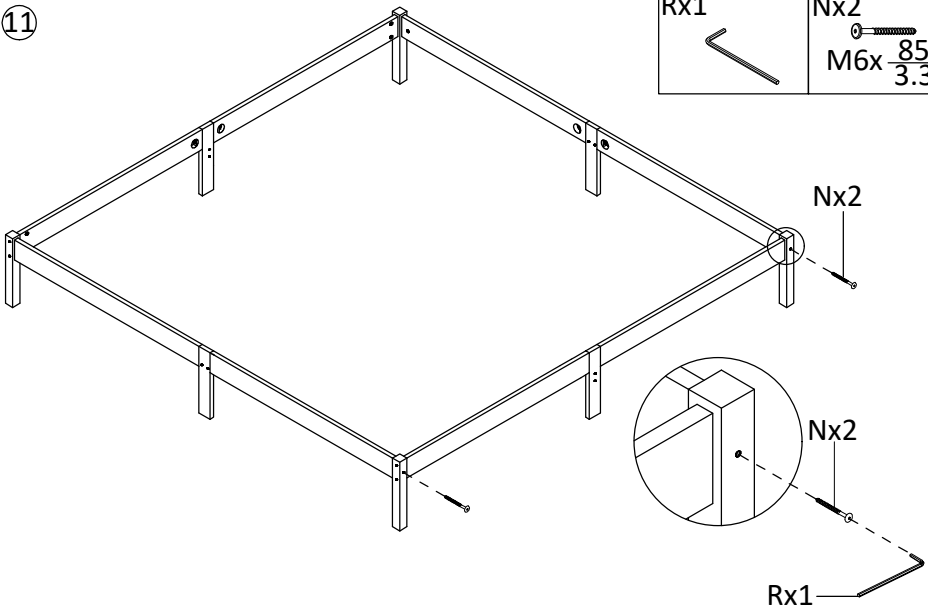
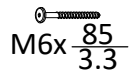


11

Rx1

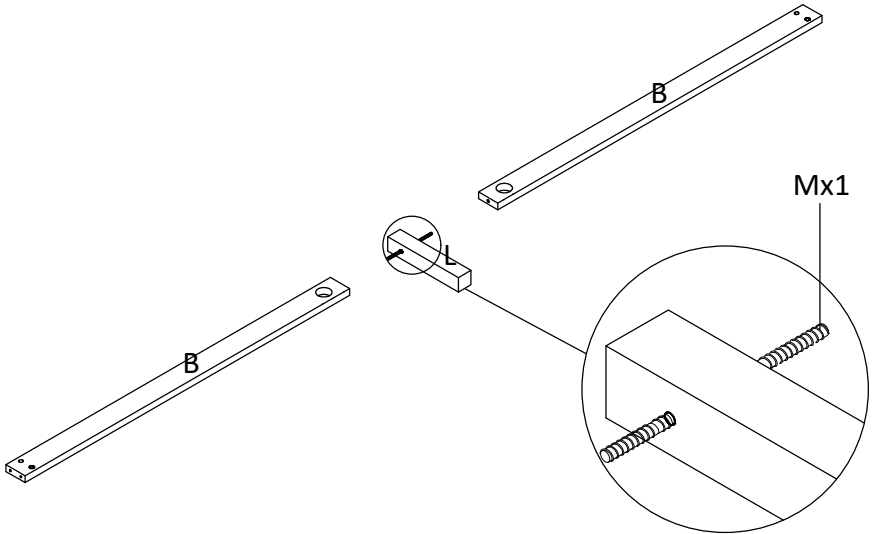


Nx2



12

Mx1
M6x $\frac{135}{5.3}$

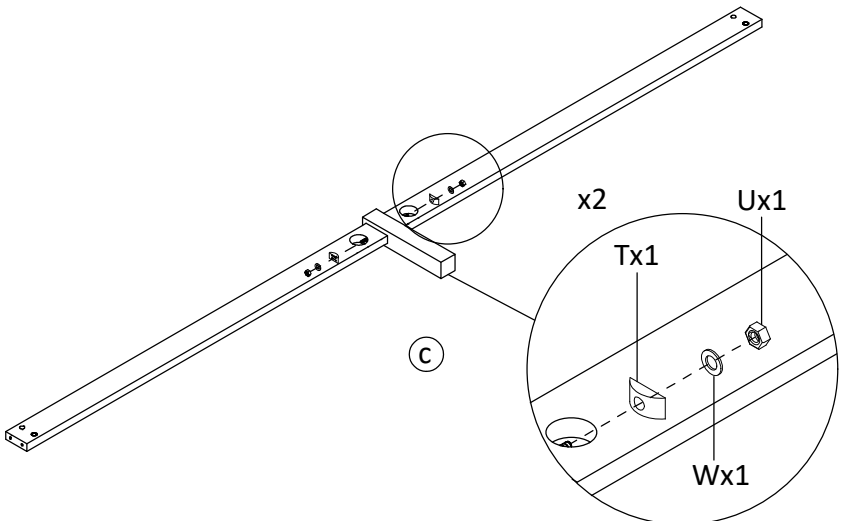


13

Tx2

Ux2

Wx2

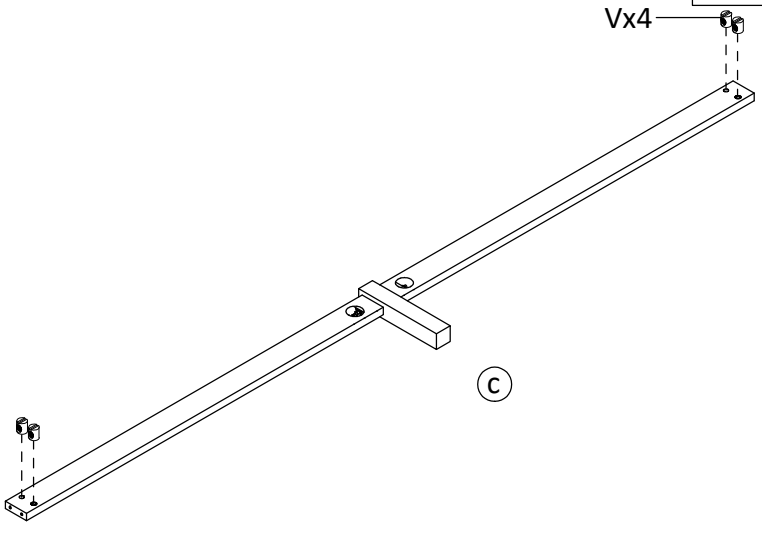


14

Vx4



Vx4



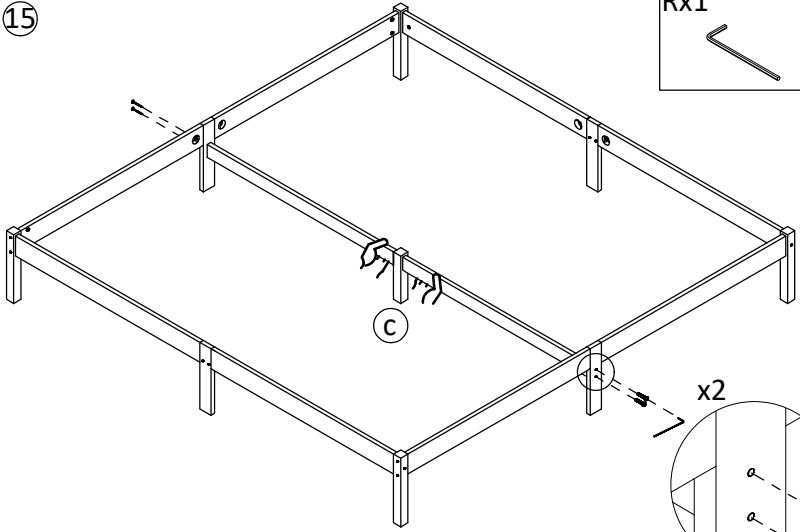
15

Rx1

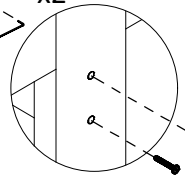


Ox4

M6x $\frac{60}{2.4}$



x2

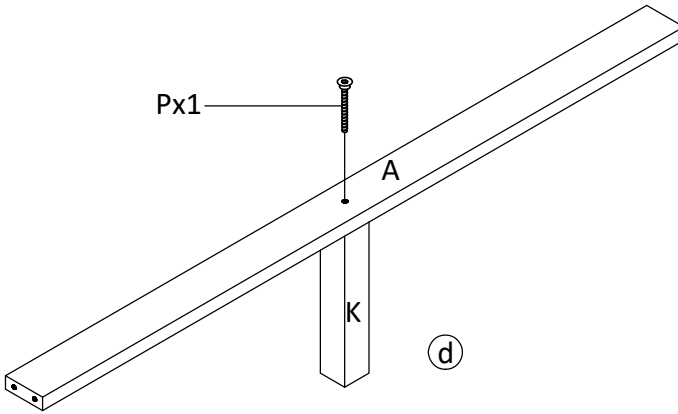


Ox2

Rx1

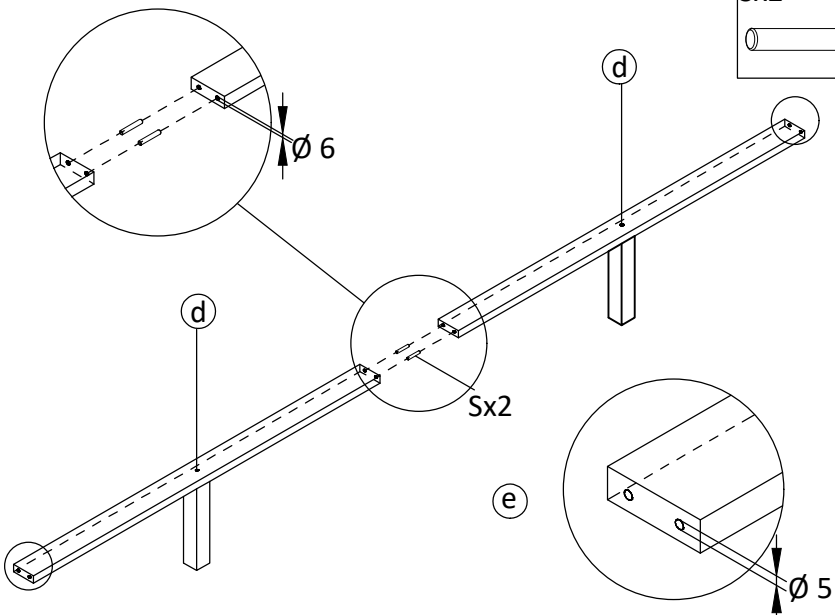
16 x2

Px2
M7x $\frac{60}{2.4}$



17

Sx2

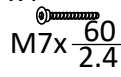


18

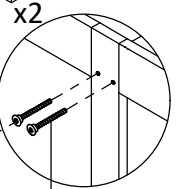
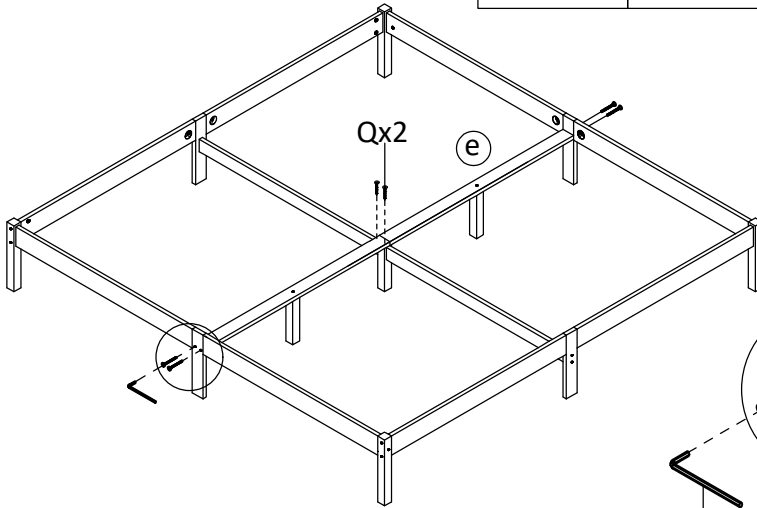
Rx1



Px4



Qx2

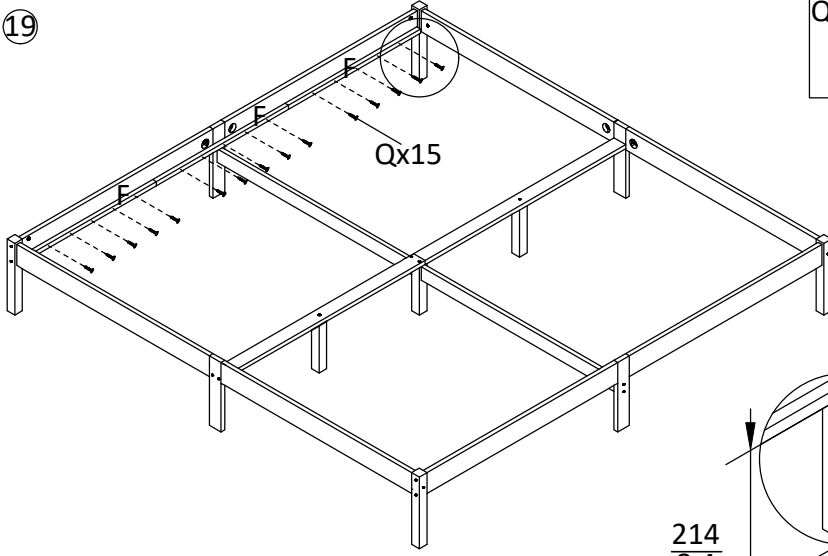


Rx1

Qx15

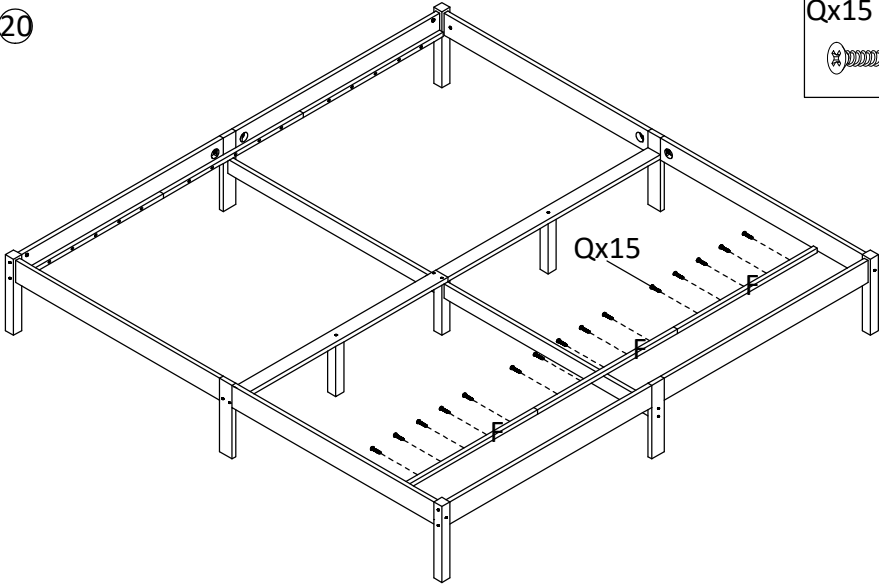


19



$\frac{214}{8.4}$

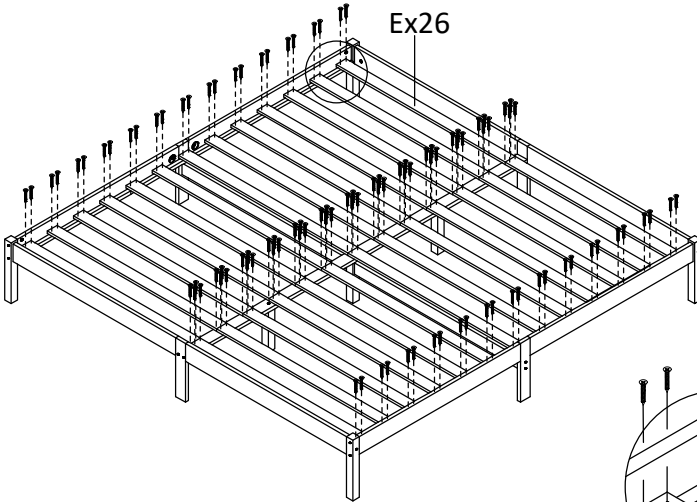
20



Qx15



21

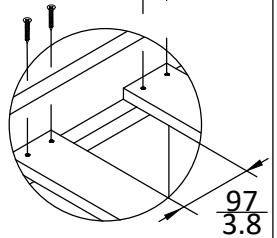


Ex26

Qx104



Qx104



22

