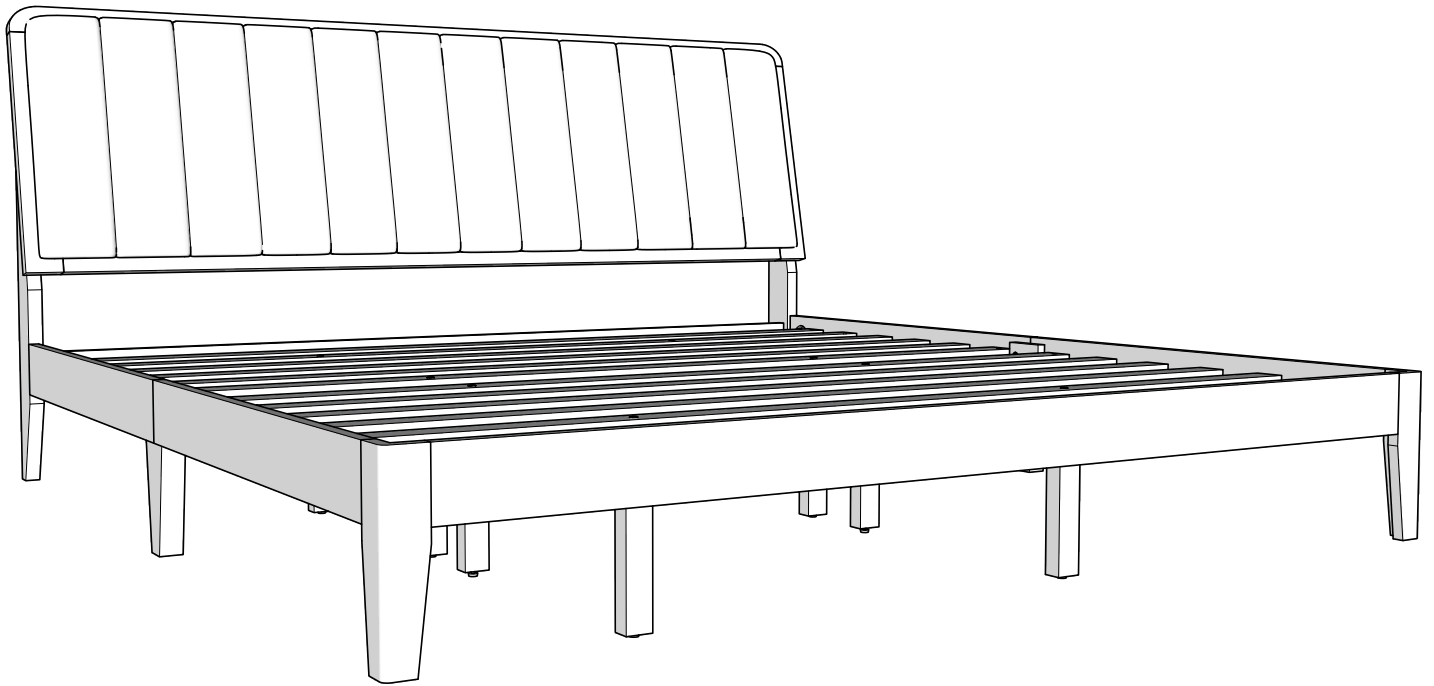


ASSEMBLY INSTRUCTIONS





IMPORTANT INFORMATION

Seller and Manufacturer disclaim all and any liability for property damage, personal injury, or loss, direct, indirect, or incidental, resulting from the incorrect assembly, inadequate maintenance, improper use, or neglect of this product.



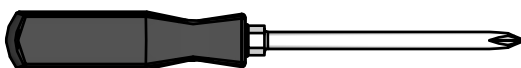
NOTICE

- Keep these assembly instructions for future reference.
- Do not use this product if there are missing, damaged, or broken parts until repairs are made and/or factory replacement parts are installed.
- Check all packing material carefully for small hardware that may have become loose inside the carton during shipment.
- Identify and count all hardware and parts to compare with parts and hardware list.
- Follow assembly instructions closely. Improper assembly can result in personal or property damage.
- Secure all bolts before use.
- Every 90 days check all bolts are secured.
- Some parts may have a sharp corner or edge and maybe heavy.
- Do not use or store this product near open flames or around flammable chemicals.
- When placing contents on non-carpeted flooring, it's recommended to use floor protection such as an area rug or furniture pads. These are not included with the purchase.
- Do not drag or push the bed frame. To ensure safe moving, always use two people to lift and re-position the bedframe. Avoid dragging or pushing it across the floor to prevent damage to the legs, slats, and the center support legs.

REPLACEMENT PART OR HARDWARE REQUEST:

Request a replacement by logging into the marketplace account in which the purchase was made and sending a message to the seller. To assist in expediting the request attach applicable images relevant to the request and/or part number and quantity.

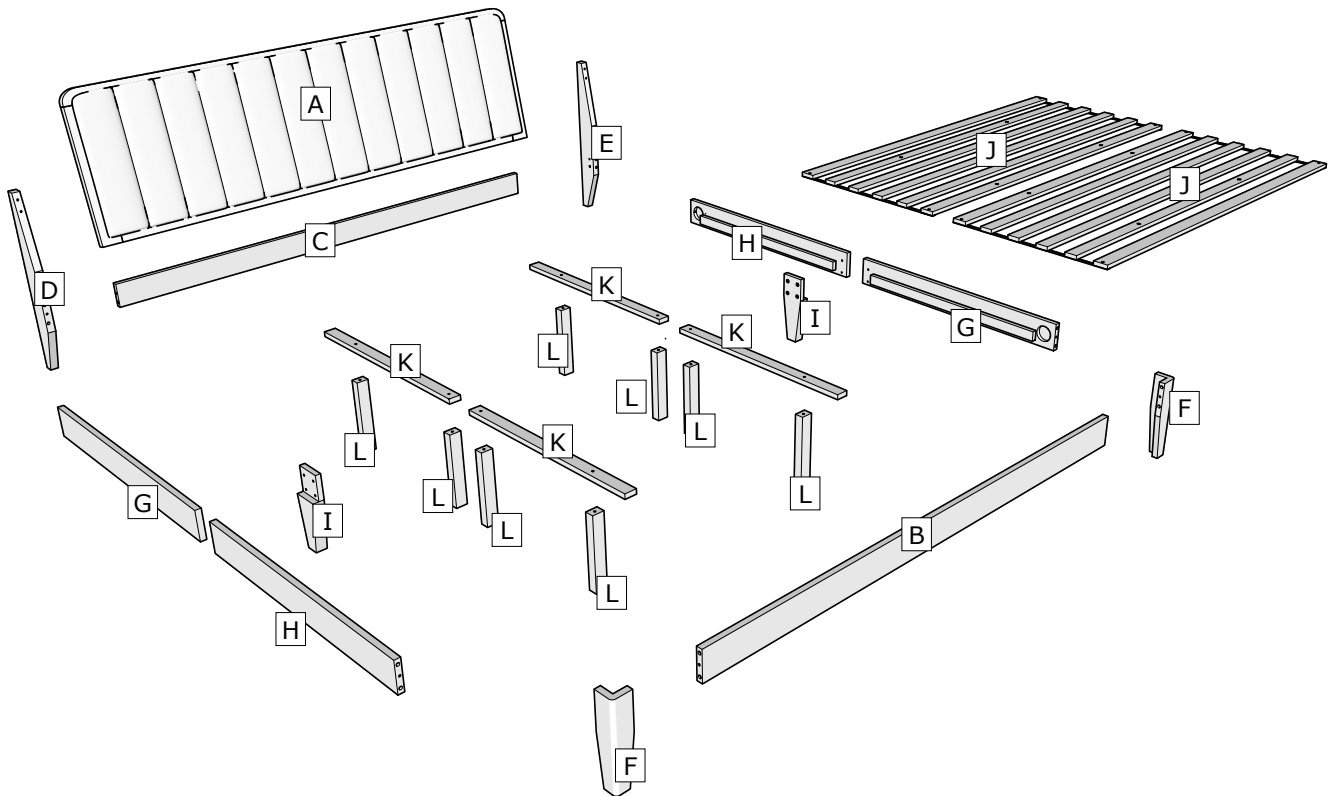
ADDITIONAL TOOL REQUIRED:



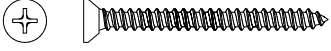
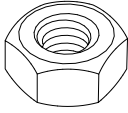
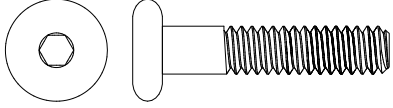
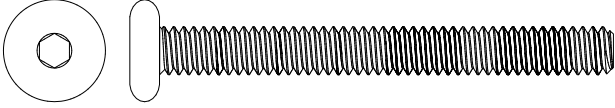

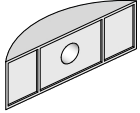
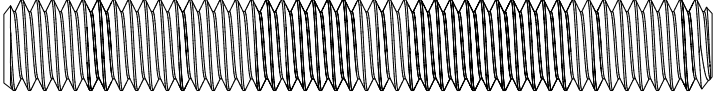

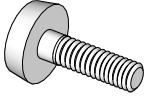

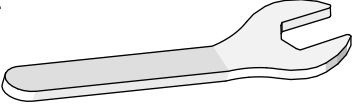
**#2 Philips Screwdriver
(Not Provided)**

BED PARTS


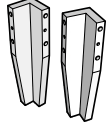
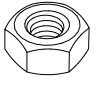
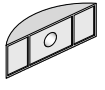


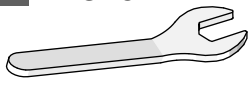
- A..... Headboard..... x 1
- B..... Footboard..... x 1
- C..... Headboard Rail..... x 1
- D..... Headboard Post Left..... x 1
- E..... Headboard Post Right..... x 1
- F..... Footboard Leg..... x 2
- G..... Side Rail A..... x 2
- H..... Side Rail B..... x 2
- I..... Side Rail Support Leg..... x 2
- J..... Bed Slat..... x 12
- K..... Slat Support..... x 4
- L..... Support Leg..... x 8

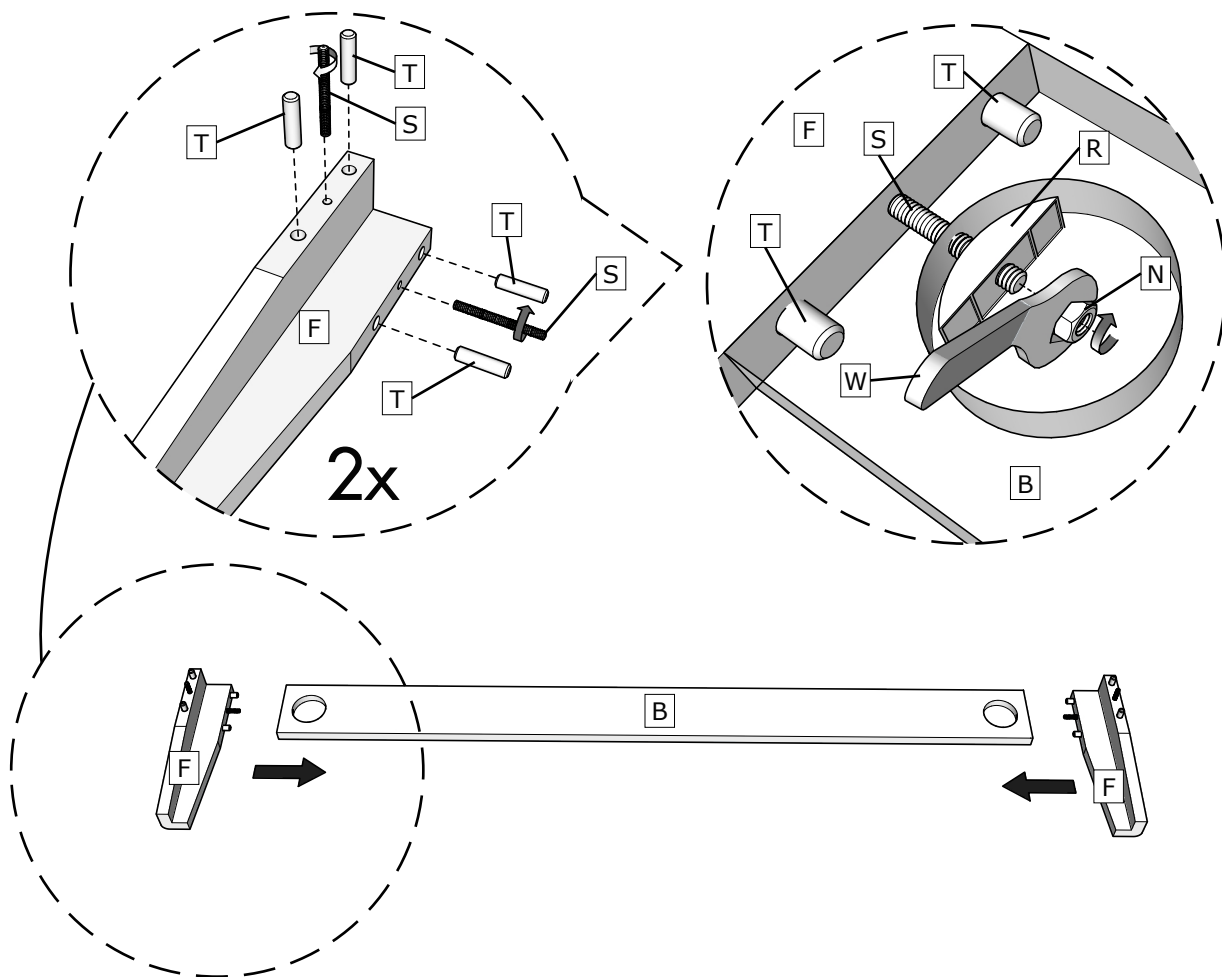


HARDWARE

<p>M Screw x 8</p>  <p>M4 x 32mm</p>	<p>N Hex Nut x 8</p>  <p>M8</p>	<p>O Bolt x 12</p>  <p>M6 x 35mm</p>
<p>P Bolt x 8</p>  <p>M6 x 60mm</p>	<p>Q Spring Washer x 8</p>  <p>M6</p>	
<p>R Half Moon Washer x 8</p>  <p>M8 x 30mm</p>	<p>S Threaded Rod x 8</p>  <p>M8 x 65mm</p>	
<p>T Dowel x 14</p>  <p>M10 x 40mm</p>	<p>U Adjustable Feet x 8</p>  <p></p>	<p>V Hex Key Wrench x 1</p>  <p>M4</p>
<p>W Open End Wrench x 1</p>  <p>M8</p>		



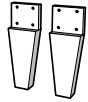
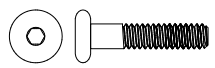


BED ASSEMBLY STEP 1

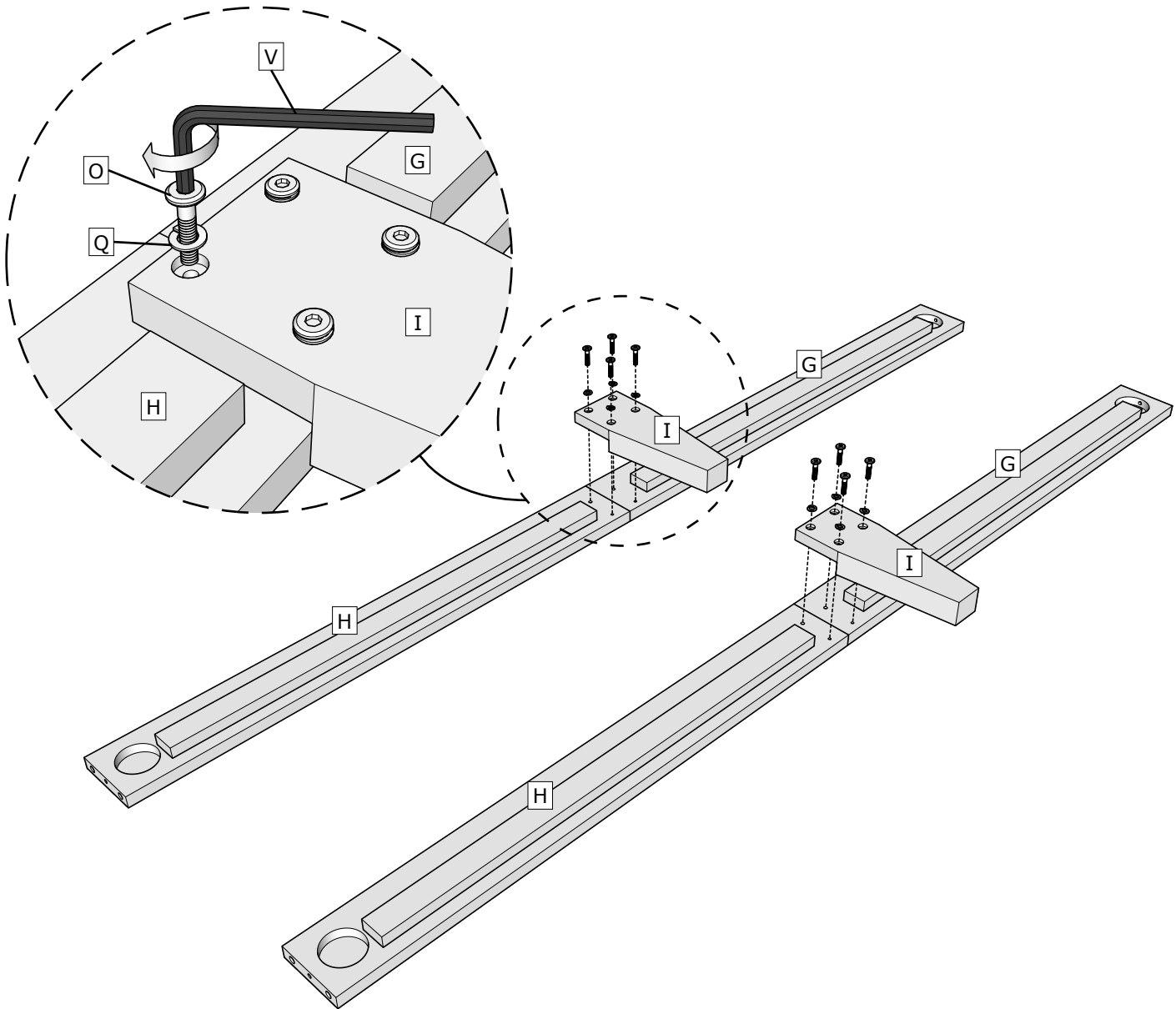
B Footboard x1 	F Footboard Leg x2 	N Hex Nut x2 M8 	R Half Moon Washer x2 M8 x 30mm 
S Threaded Rod x4 M8 x 65mm 	T Dowel x8 M10 x 40mm 	W Open End Wrench x1 M8 	



Insert **T** and **S** into **F**.
Attach **B** to **F** with **R** and **N** using an Open End Wrench **W**.


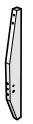


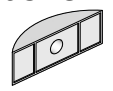
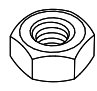

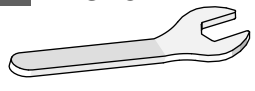
BED ASSEMBLY STEP 2

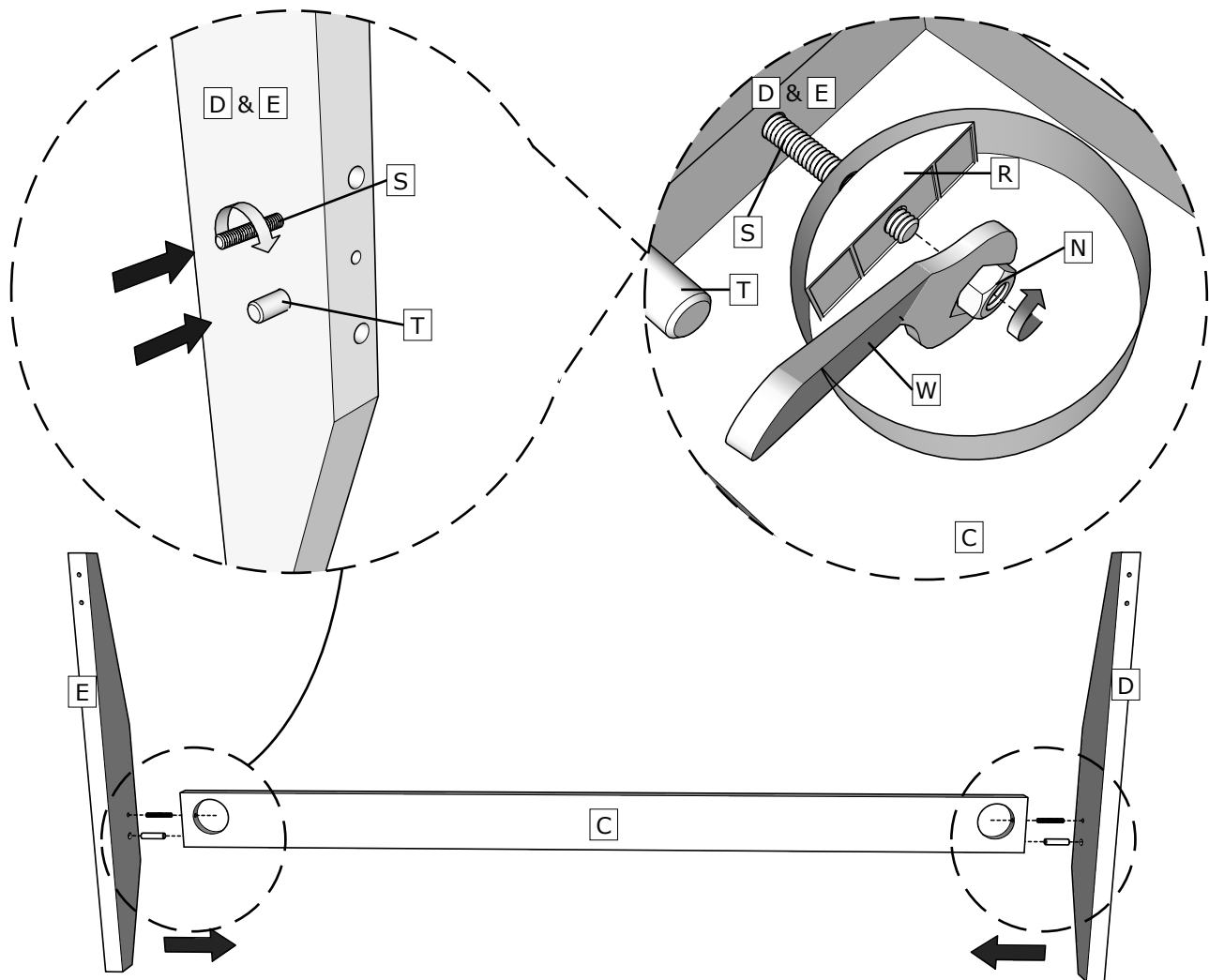
G Side Rail A x2 	H Side Rail B x2 	I Side Rail Support Leg x2 	O Bolt x8  M6 x 35mm
Q Spring Washer x8  M6	V Hex Key Wrench x1  M4		



Attach **I** to **G** and **H** with **O** and **Q** as shown using Hex Key Wrench **V**.

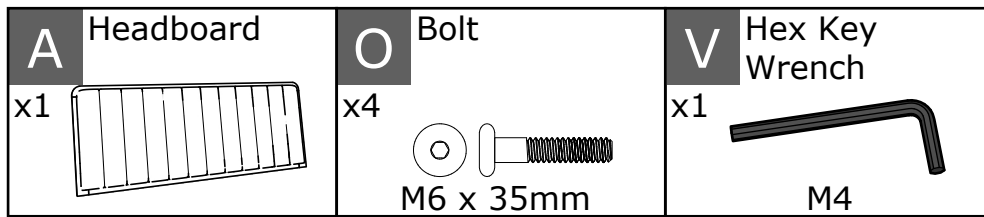
BED ASSEMBLY STEP 3

C Headboard Rail x1 	D Headboard Post Left x1 	E Headboard Post Right x1 	S Threaded Rod x2  M8 x 65mm
R Half Moon Washer x2  M8 x 30mm	N Hex Nut x2  M8	T Dowel x2  M10 x 40mm	W Open End Wrench x1  M8

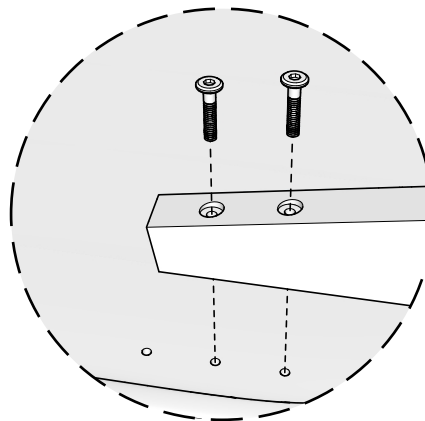


Insert **T** and **S** into **D** and **E**.
Attach **C** to **D** and **E** with **R** and **N** using an Open End Wrench **W** as shown.

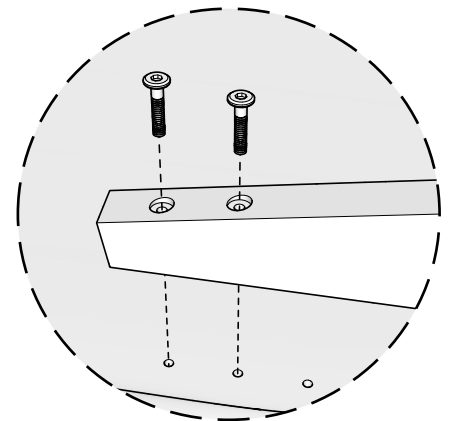
BED ASSEMBLY STEP 4



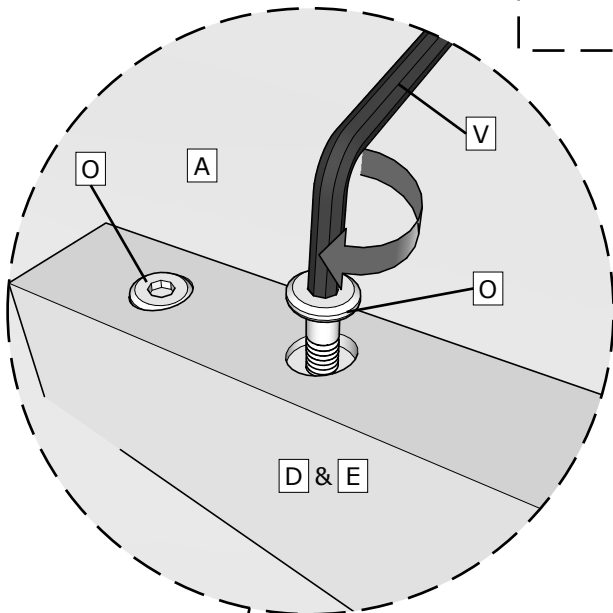
Adjustable headboard height.
Assemble bolts at preferred height as shown below.



Highest Position

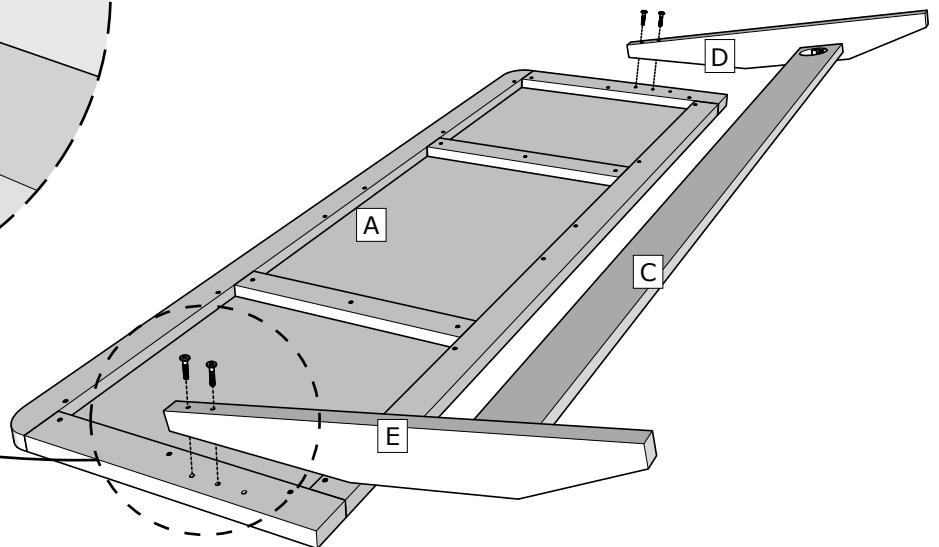


Lowest Position



Warning!

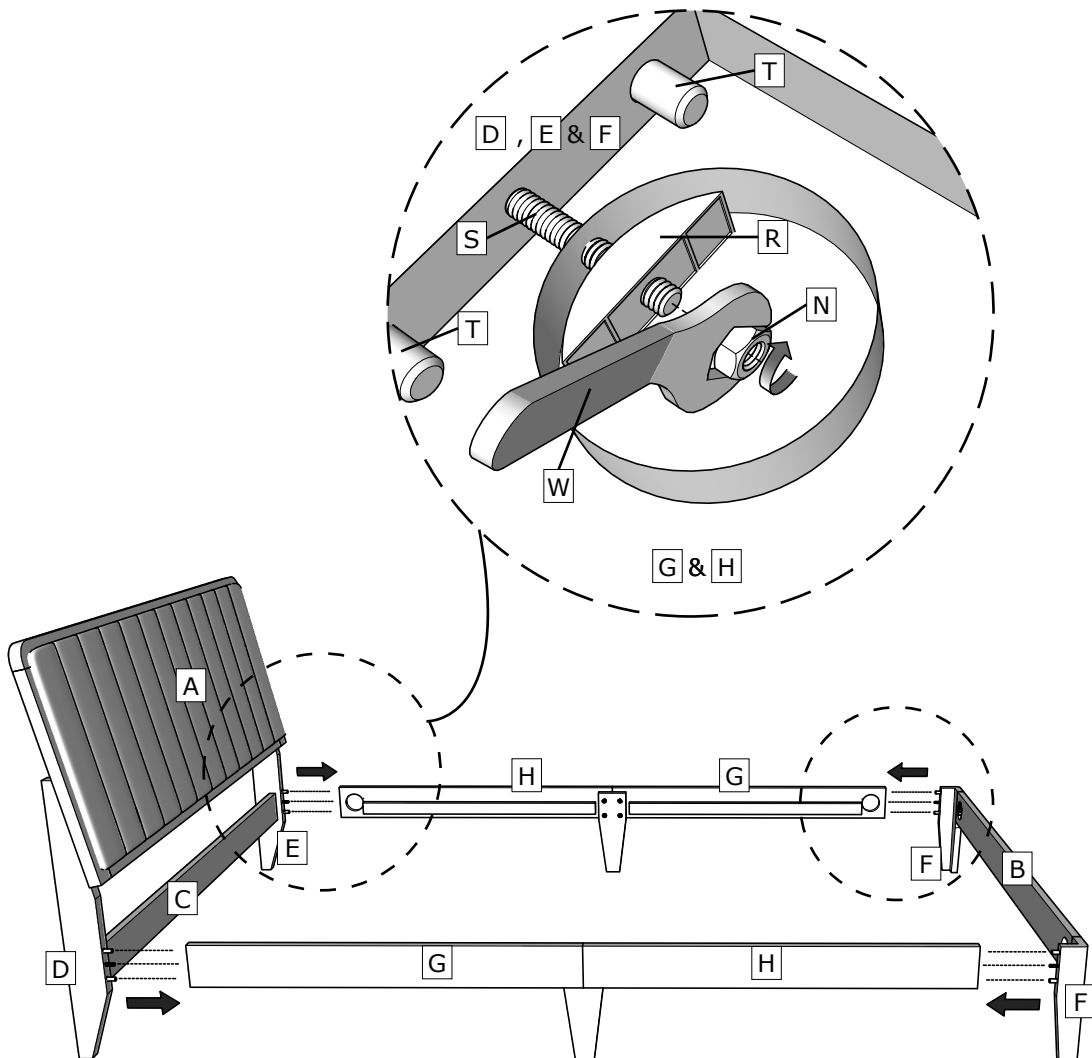
Do not use power tools to tighten the bolts.
Hand-tighten bolts to secure the headboard safely.



Attach **A** to Assembled Headboard Leg **D** and **E** with **O** using a Hex Key Wrench **V** as shown.


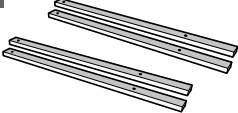
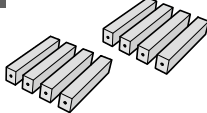

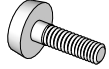

BED ASSEMBLY STEP 6

N Hex Nut x4 M8	R Half Moon Washer x4 M8 x 30mm	W Open End Wrench x1 M8
------------------------------	----------------------------------------------	--------------------------------------



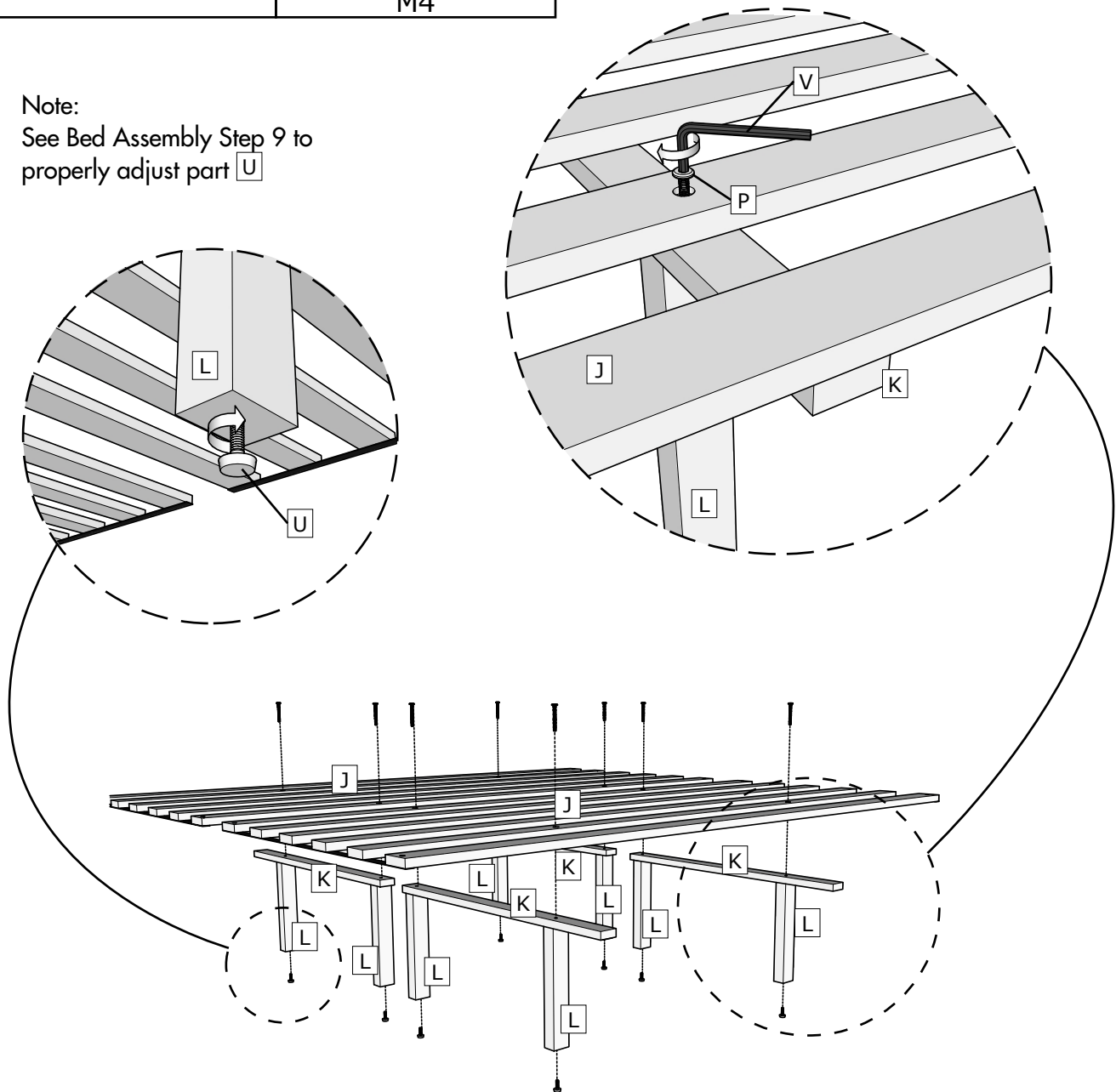
Attached Assembled Headboard and Assembled Footboard to Assembled Side Rail with **R** and **N** using an Open End Wrench **W**.

BED ASSEMBLY STEP 7

J Bed Slat x12 	K Slat Support x4 	L Support Leg x8 	P Bolt x8 M6 x 60mm 
U Adjustable Feet x8 	V Hex Key Wrench x1 M4 		

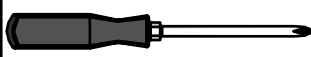

Note:

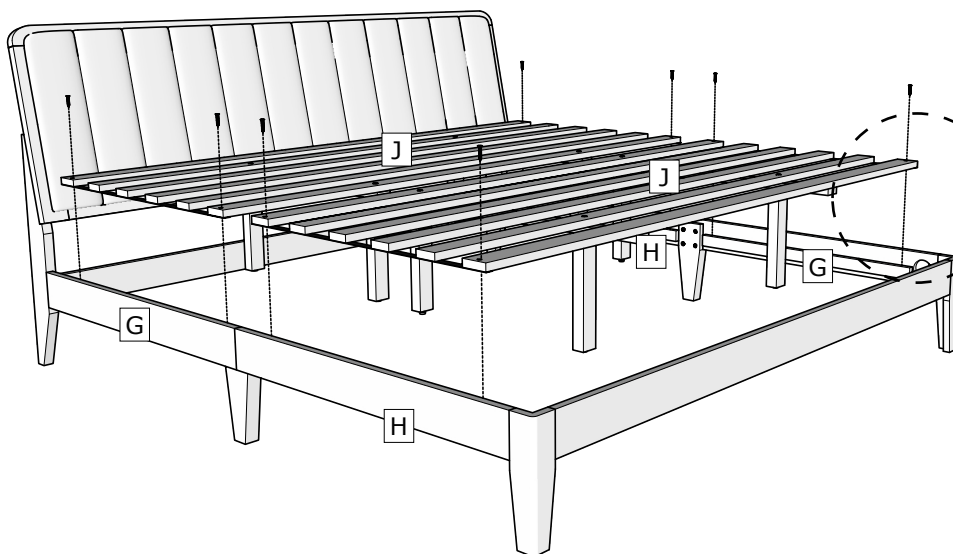
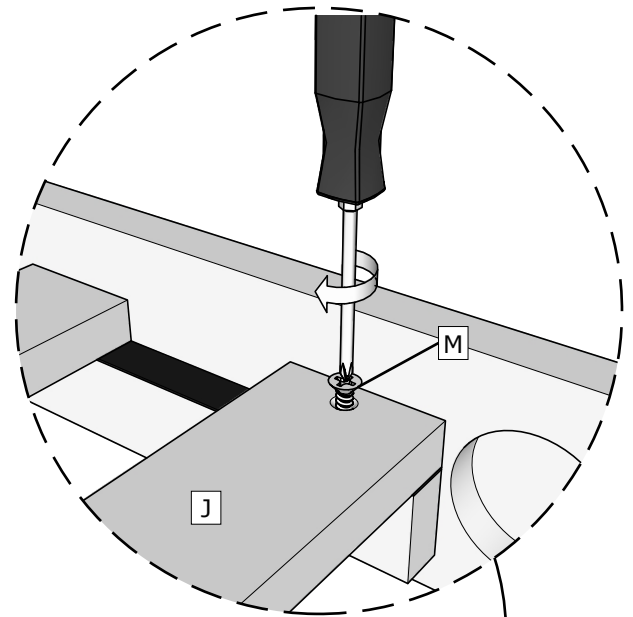
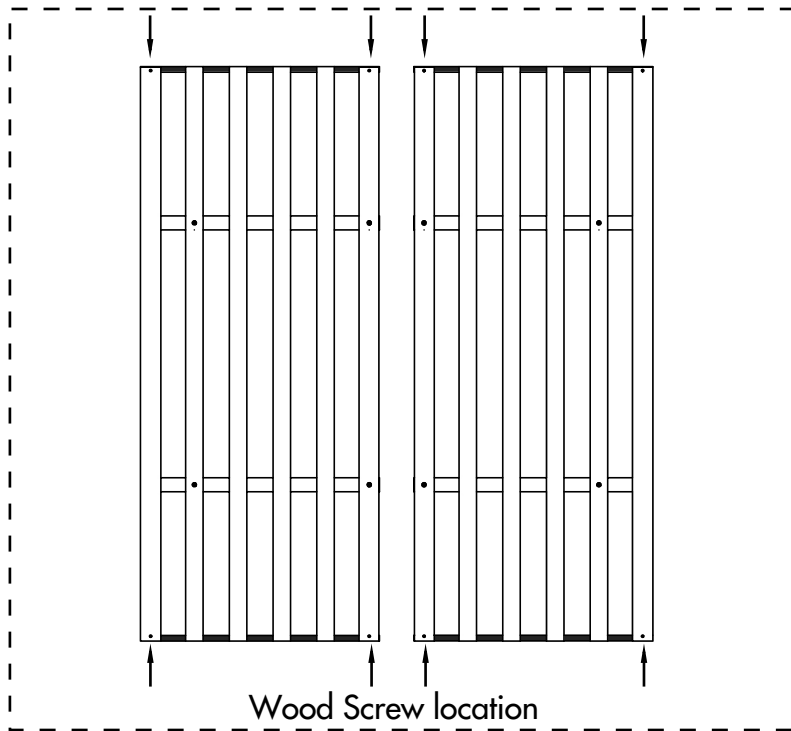
See Bed Assembly Step 9 to properly adjust part **U**



Insert **U** into **L**. Attach **J** and **L** to **K** with **P** using a Hex Key Wrench **V** as shown.

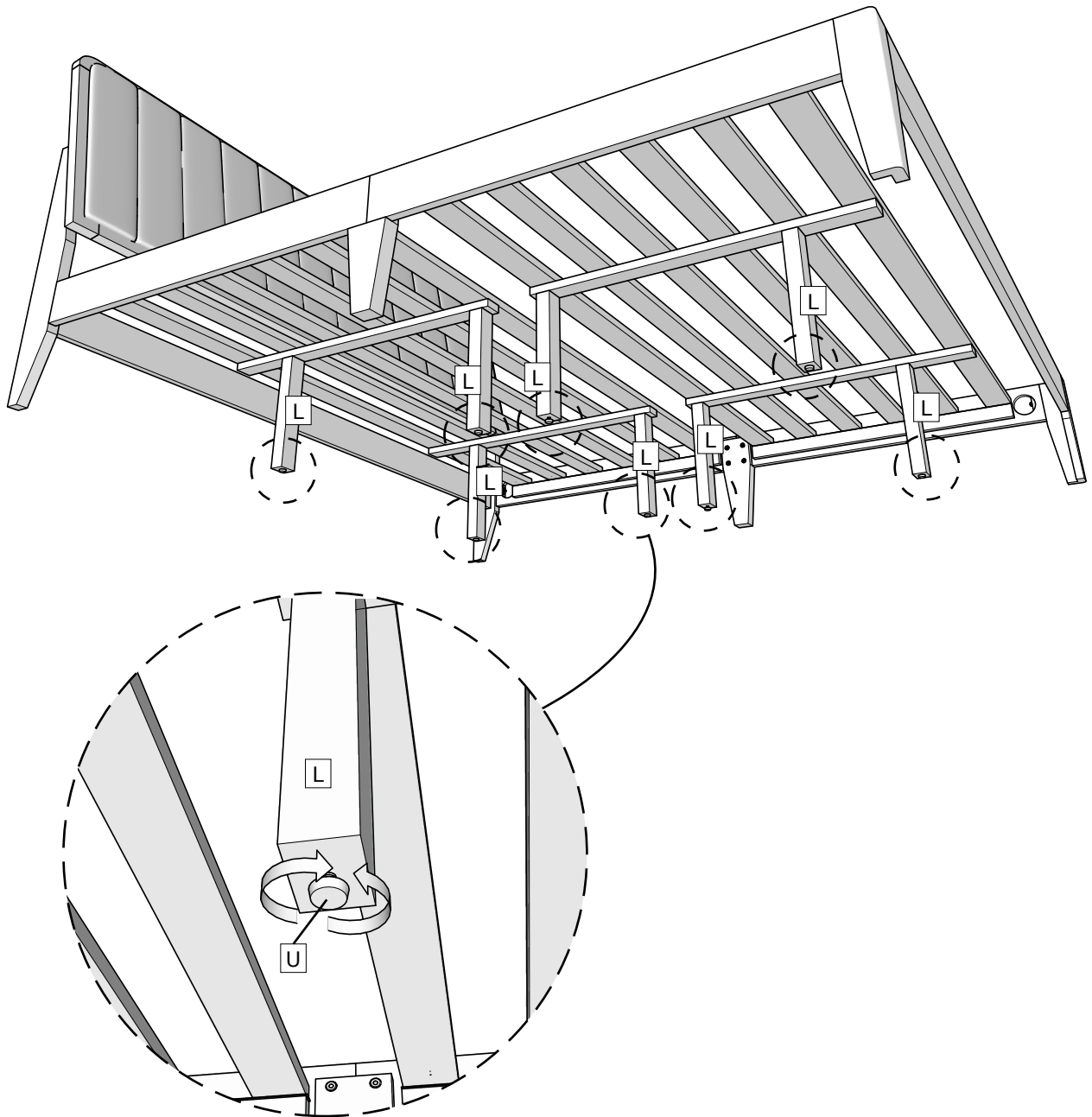
BED ASSEMBLY STEP 8

M Screw	Philips Screwdriver
x8	
 M4 x 32mm	Not provided



Attach Assembled Bed Slat to Assemble Bed Frame with **M** using a Philips Screwdriver as shown.

BED ASSEMBLY STEP 9



WARNING!

- Make Sure that Adjustable Feet are perpendicular to the floor before using the bed. Rotate Adjustable Feet clockwise or counter clockwise until it is firmly against the floor.
- Do not drag or push the bed frame. To ensure safe moving, always use two people to lift and re-position the bed frame. Avoid dragging or pushing it across the floor to prevent damage to the legs, slats, and center support legs.