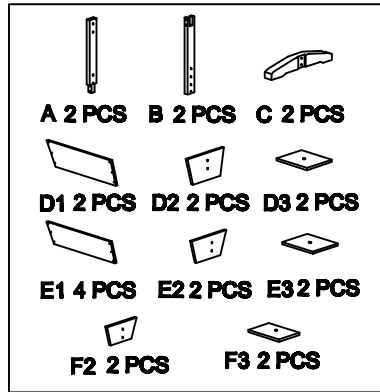
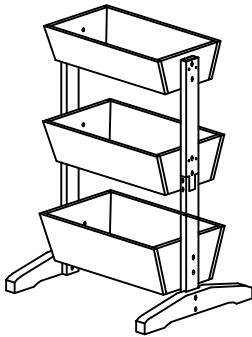
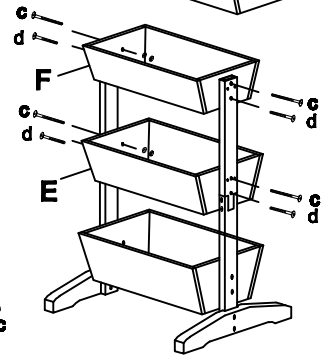
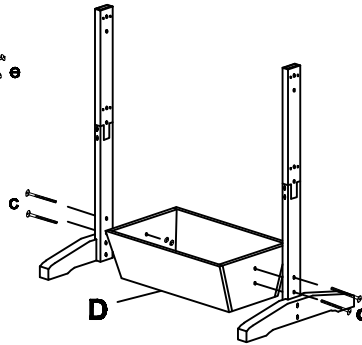
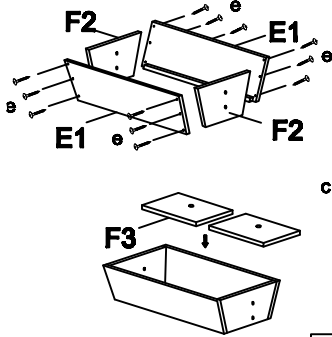
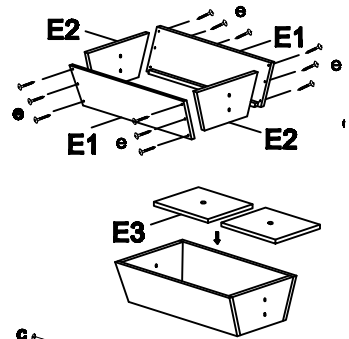
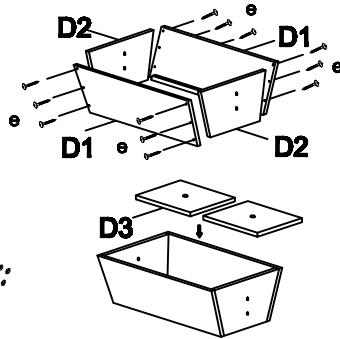
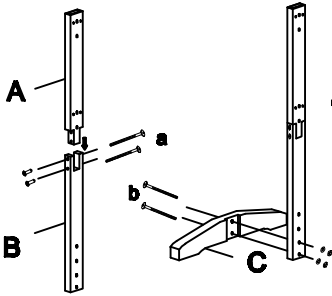


USER'S MANUAL
3 layer wooden flower rack

THIS INSTRUCTION BOOKLET CONTAINS **IMPORTANT** SAFETY INFORMATION. PLEASE READ AND KEEP FOR FUTURE REFERENCE.

Before You Start

- ⦿ Please read all instructions carefully.
- ⦿ Retain instructions for future reference.
- ⦿ Separate and count all parts and hardware.
- ⦿ Read through each step carefully and follow the proper order.
- ⦿ We recommend that, where possible, all items are assembled near to the area in which they will be placed in use, to avoid moving the product unnecessarily once assembled.
- ⦿ Always place the product on a flat, steady and stable surface.
- ⦿ Keep all small parts and packaging materials for this product away from babies and children as they potentially pose a serious choking hazard.



a \rightarrow M6x70mm 4 PCS

b $\oplus\oplus$ M6x70mm 4 PCS

c $\oplus\oplus$ M6x60mm 8 PCS

d M6x50mm 4 PCS

e M4.2x30mm 36 PCS