





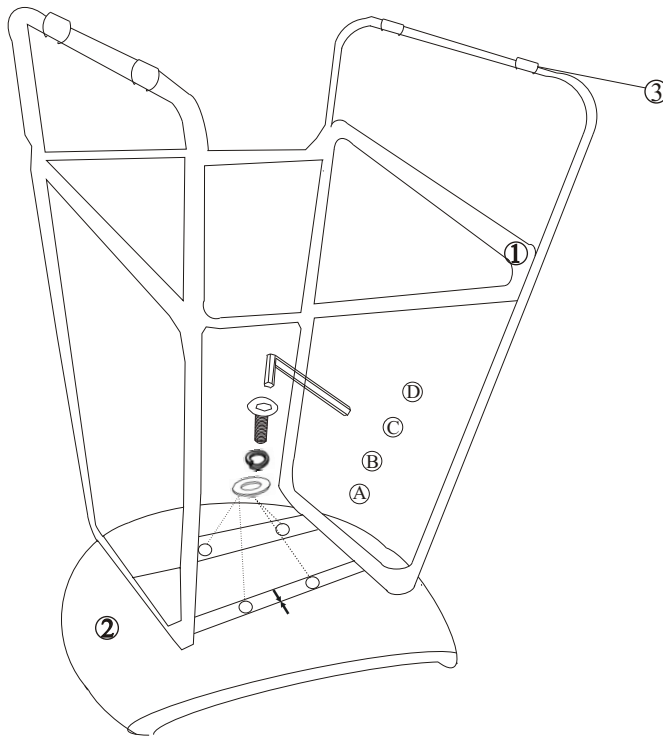
ASSEMBLY INSTRUCTIONS & PARTS IDENTIFICATION

BACKLESS STOOL

Thank you for purchasing this quality product. Be sure to check all packing material carefully for small parts that may have come loose inside the carton during shipment.

Key Parts		
No	Qty	Description
1	1pc	Leg assembly
2	1pc	Seat
3	4pc	Floor glide

Hardware kit			
No		Description	ty
A		Flat washer	4 pcs
B		Lock washer	4 pcs
C		Allen key bolt 8x30 mm	4 pcs
D		Allen key	1 pc



Place the leg assembly on the seat, aligning the arrows. Insert a bolt, lock washer and flat washer into each of the four holes and hand tighten with the Allen wrench

