

ASSEMBLY INSTRUCTION

Thank you for purchasing this quality product. Be sure to check all packing material carefully for small parts which may have come loose inside the carton during shipment. Separate, identify and count all parts and hardware. Compare with the parts list to be sure all parts are present.

IMPORTANT : PLEASE READ INSTRUCTION BEFORE STARTING THE ASSEMBLY.

"DO NOT TIGHTEN SCREWS UNTIL COMPLETELY ASSEMBLED"

"DO NOT OVERTIGHT ANY HARDWARE"

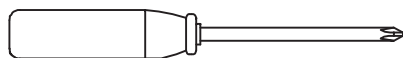
WARNING : SMALL PARTS AND HARDWARE NOT FOR CHILDREN UNDER 3 YEARS. ADULT ASSEMBLY REQUIRED.

TABLE OF CONTENTS

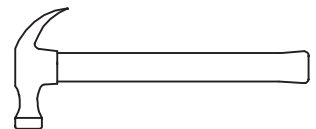
| | |
|--------------------|-------------|
| HARDWARES LIST | PAGE 2 - 3 |
| PARTS LIST | PAGE 3 - 5 |
| PARTS' LOCATION | PAGE 6 - 7 |
| ASSEMBLY STEPS | PAGE 8 - 17 |
| ASSEMBLY COMPLETED | PAGE 17 |

ASSEMBLY TOOLS REQUIRED

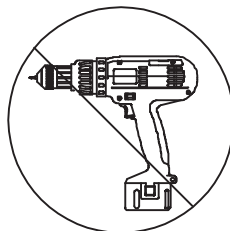
1. Screwdriver (not provide)



2. Hammer (not provide)



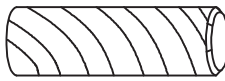

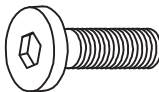
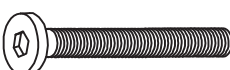





Skip the power drill this time.



ASSEMBLY INSTRUCTION




HARDWARES LIST

| ITEM | DESCRIPTION | DRAWING | QTY |
|------|---------------------------|--|--------|
| A | MINIFIX CAM LOCK |  | 12 PCS |
| B | MINIFIX CAM BOLT |  | 12 PCS |
| C | WOOD DOWEL (M8 x 30MM) |  | 12 PCS |
| D | WOOD DOWEL (M6 x 30MM) |  | 16 PCS |
| E | JCBC SCREW M8 x 20MM |  | 8 PCS |
| F | JCBC SCREW M6 x 50MM |  | 30 PCS |
| G | SPRING WASHER M6 x 13MM |  | 23 PCS |
| H | FLAT WASHER M6 x 19MM |  | 23 PCS |
| I | CSK C/B SCREW (M4 x 32MM) |  | 6 PCS |

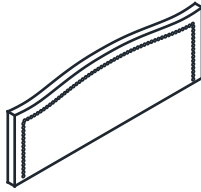
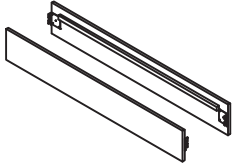
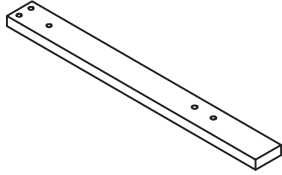
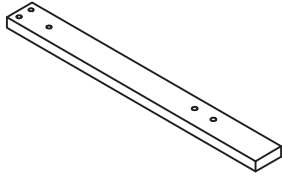
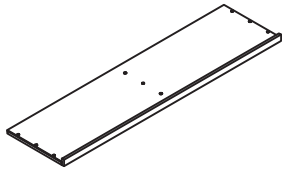
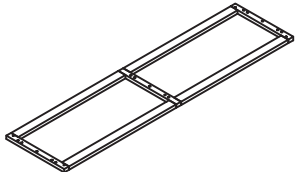
MORE HARDWARES DETAIL IN NEXT PAGE...

ASSEMBLY INSTRUCTION

HARDWARES LIST

| ITEM | DESCRIPTION | DRAWING | QTY |
|------|--------------------------------|--|-------|
| J | M4 ALLEN KEY (100MM) |  | 1 PC |
| K | M5 ALLEN KEY (65MM) |  | 1 PC |
| L | SUPPORT LEG ADJUSTABLE FEET |  | 4 PCS |

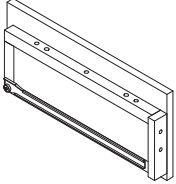
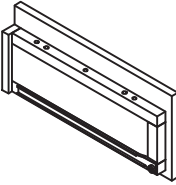
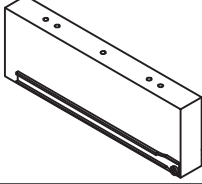
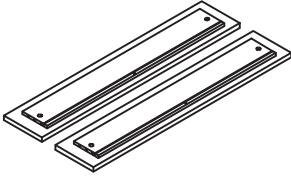
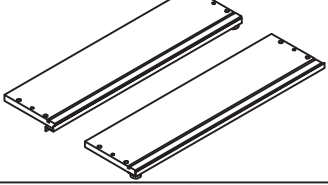
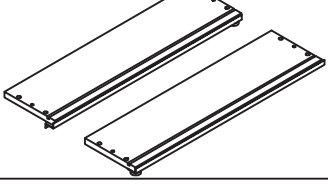
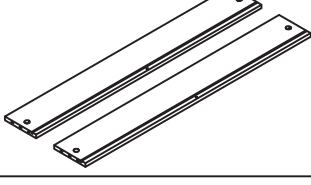
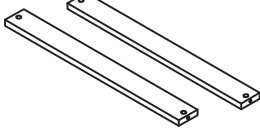
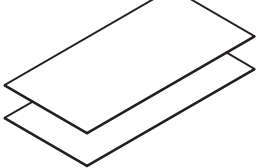
PARTS LIST

| ITEM | DESCRIPTION | DRAWING | QTY |
|------|---------------------------------|--|-------|
| 1 | HEADBOARD |  | 1 PC |
| 2 | SIDE RAIL |  | 2 PCS |
| 3 | HEADBOARD LEG WITH LABEL "L" |  | 1 PC |
| 4 | HEADBOARD LEG WITH LABEL "R" |  | 1 PC |
| 5 | FOOTBOARD TOP PANEL |  | 1 PC |
| 6 | FOOTBOARD BOTTOM PANEL |  | 1 PC |

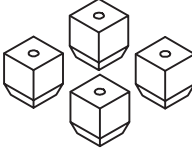

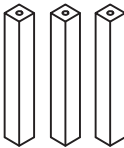
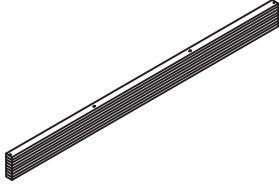
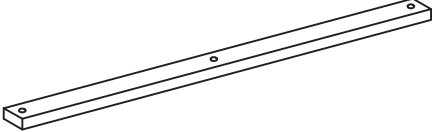
MORE PARTS DETAIL IN NEXT PAGE...

ASSEMBLY INSTRUCTION

PARTS LIST

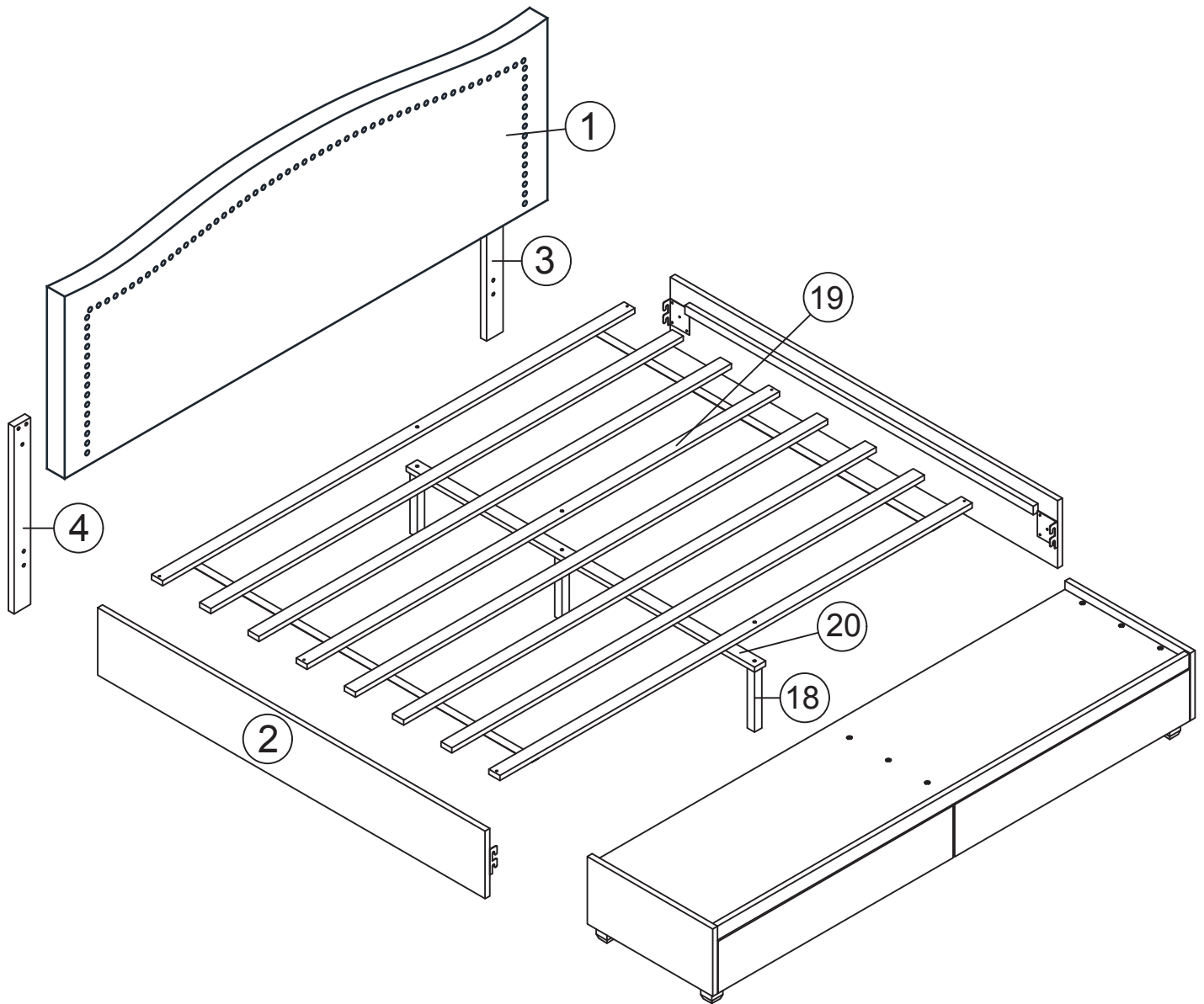
| ITEM | DESCRIPTION | DRAWING | QTY |
|------|----------------------------|--|-------|
| 7 | FOOTBOARD SIDE PANEL LEFT |  | 1 PC |
| 8 | FOOTBOARD SIDE PANEL RIGHT |  | 1 PC |
| 9 | FOOTBOARD CENTER PANEL |  | 1 PC |
| 10 | DRAWER HEAD |  | 2 PCS |
| 11 | DRAWER SIDE LEFT |  | 2 PCS |
| 12 | DRAWER SIDE RIGHT |  | 2 PCS |
| 13 | DRAWER BACK |  | 2 PCS |
| 14 | DRAWER SUPPORT |  | 2 PCS |
| 15 | DRAWER PANEL |  | 2 PCS |

ASSEMBLY INSTRUCTION

| PARTS LIST | | | |
|------------|--------------------|--|-------|
| ITEM | DESCRIPTION | DRAWING | QTY |
| 16 | FOOTBOARD LEG |  | 4 PCS |
| 17 | DRAWER SUPPORT LEG |  | 1 PCS |
| 18 | SUPPORT LEG |  | 3 PCS |
| 19 | SLAT (8PCS) |  | 8 PCS |
| 20 | CENTER RAIL |  | 1 PC |

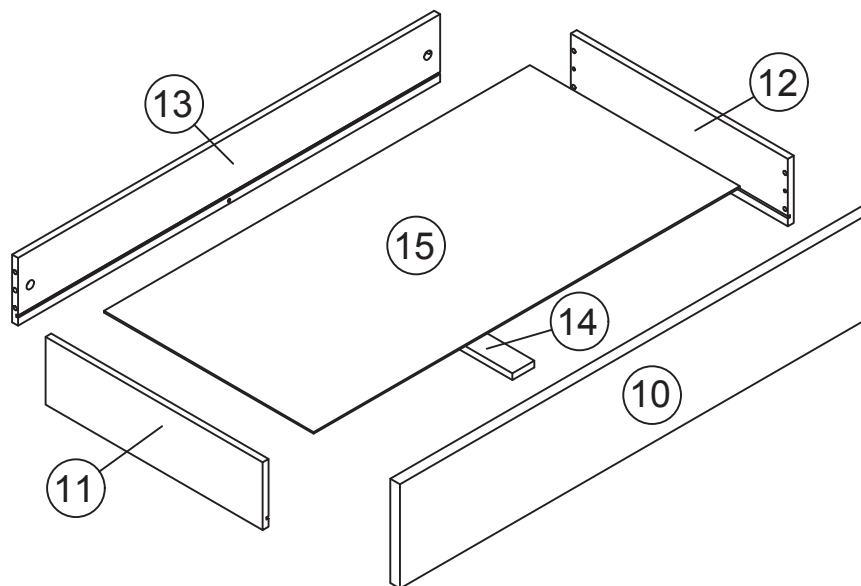
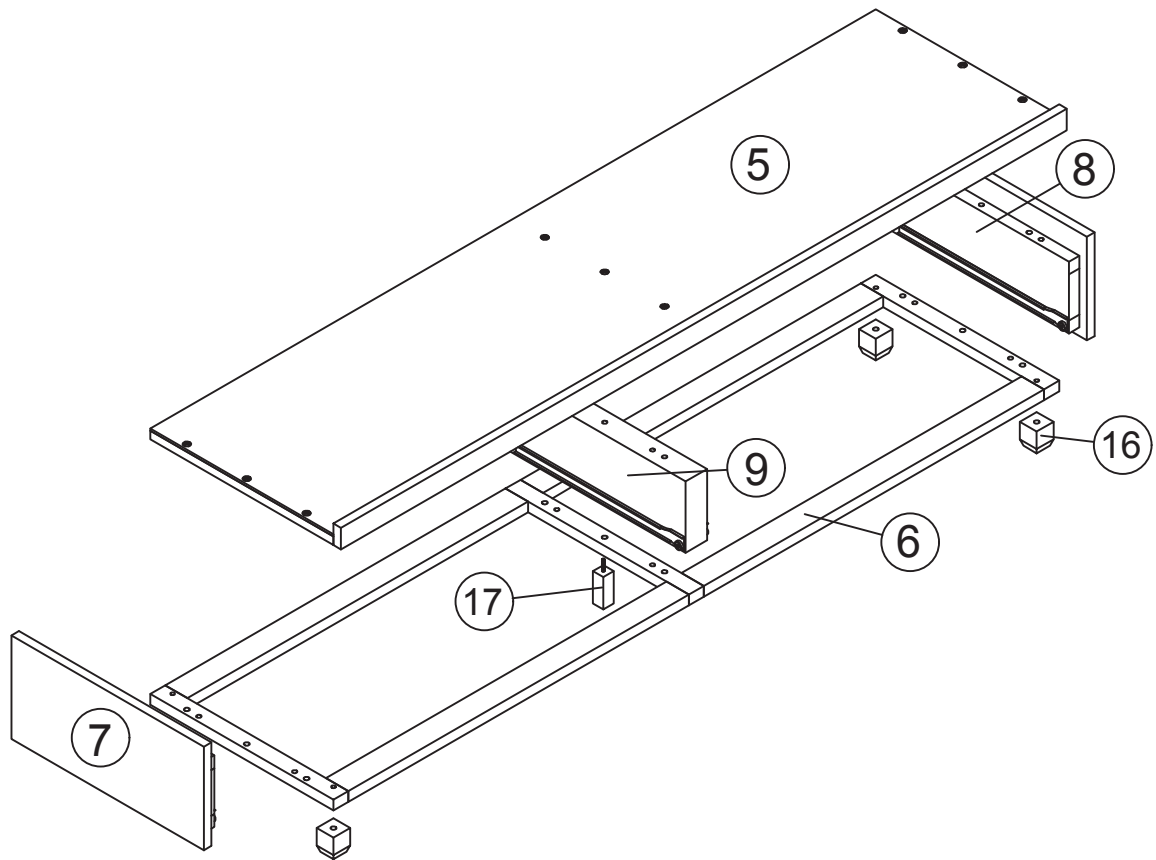
ASSEMBLY INSTRUCTION

PARTS ' LOCATION



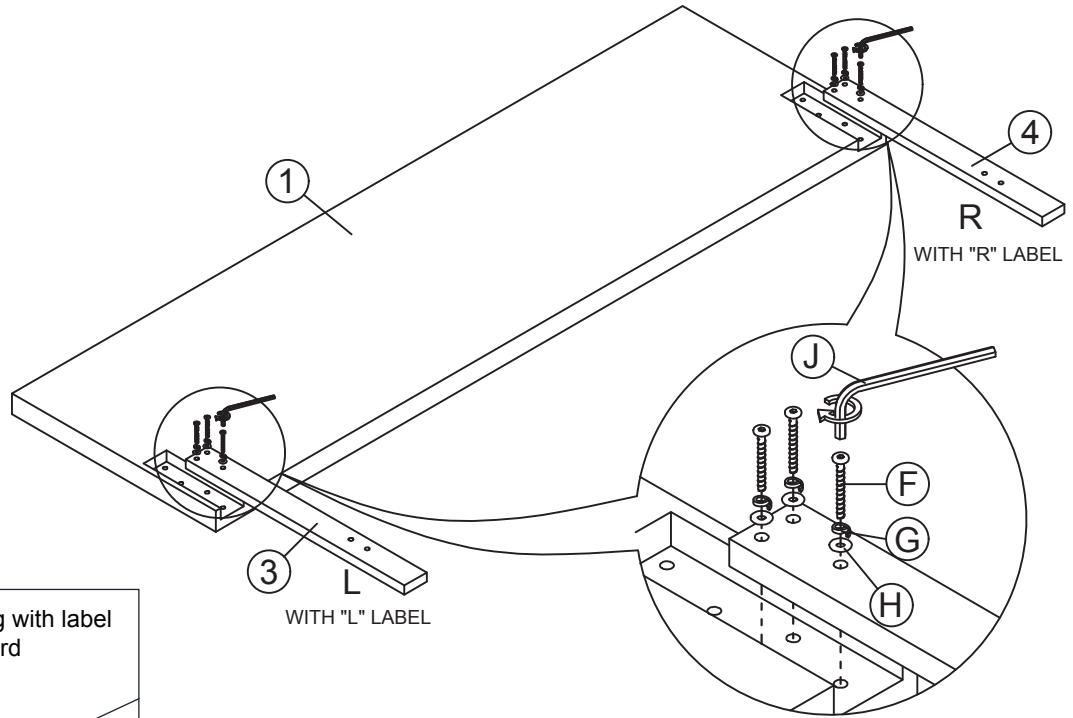
ASSEMBLY INSTRUCTION

PARTS ' LOCATION

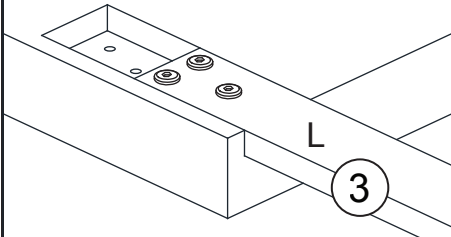


ASSEMBLY INSTRUCTION

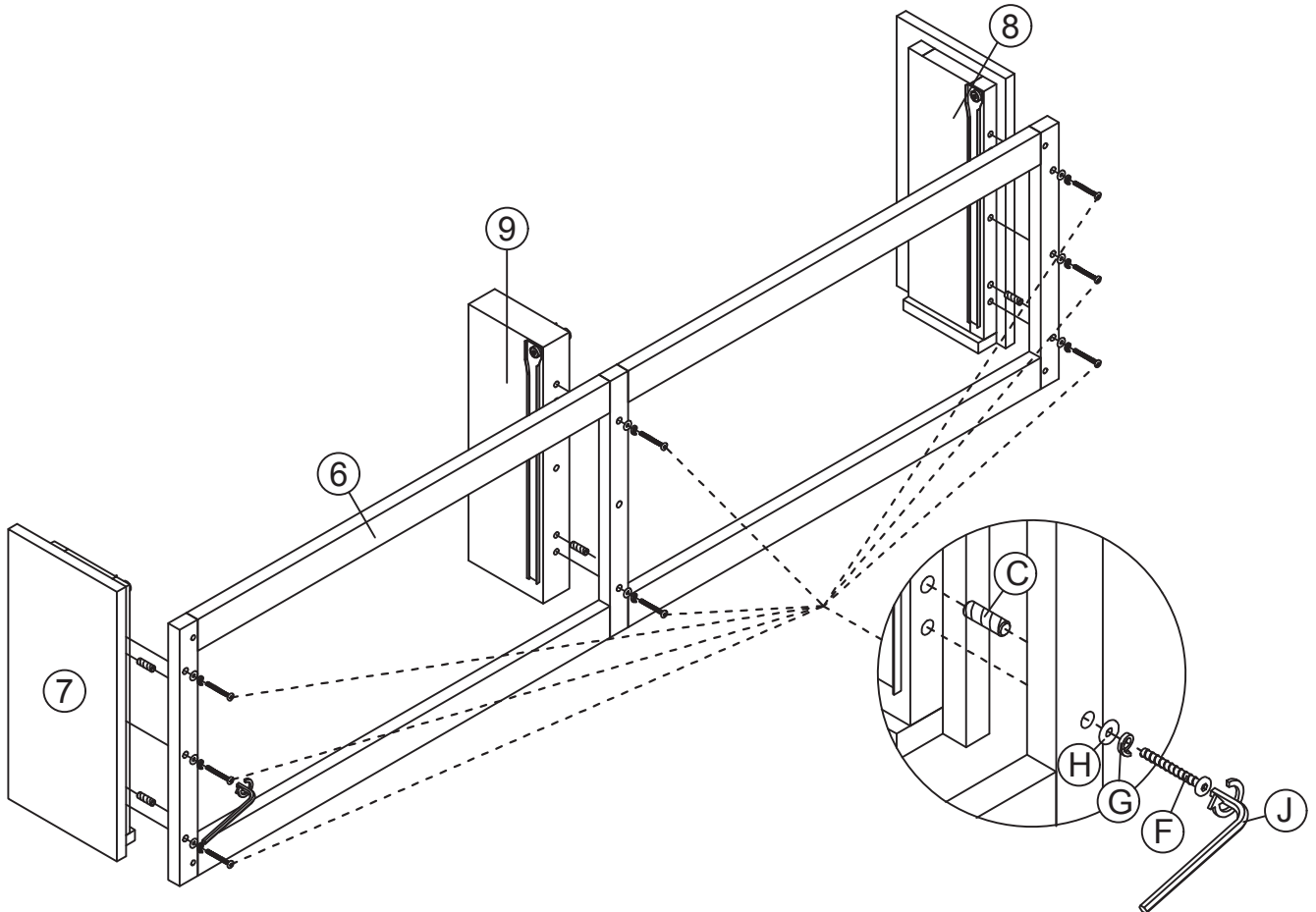
STEP 1



REMARK : Headboard leg with label facing backward

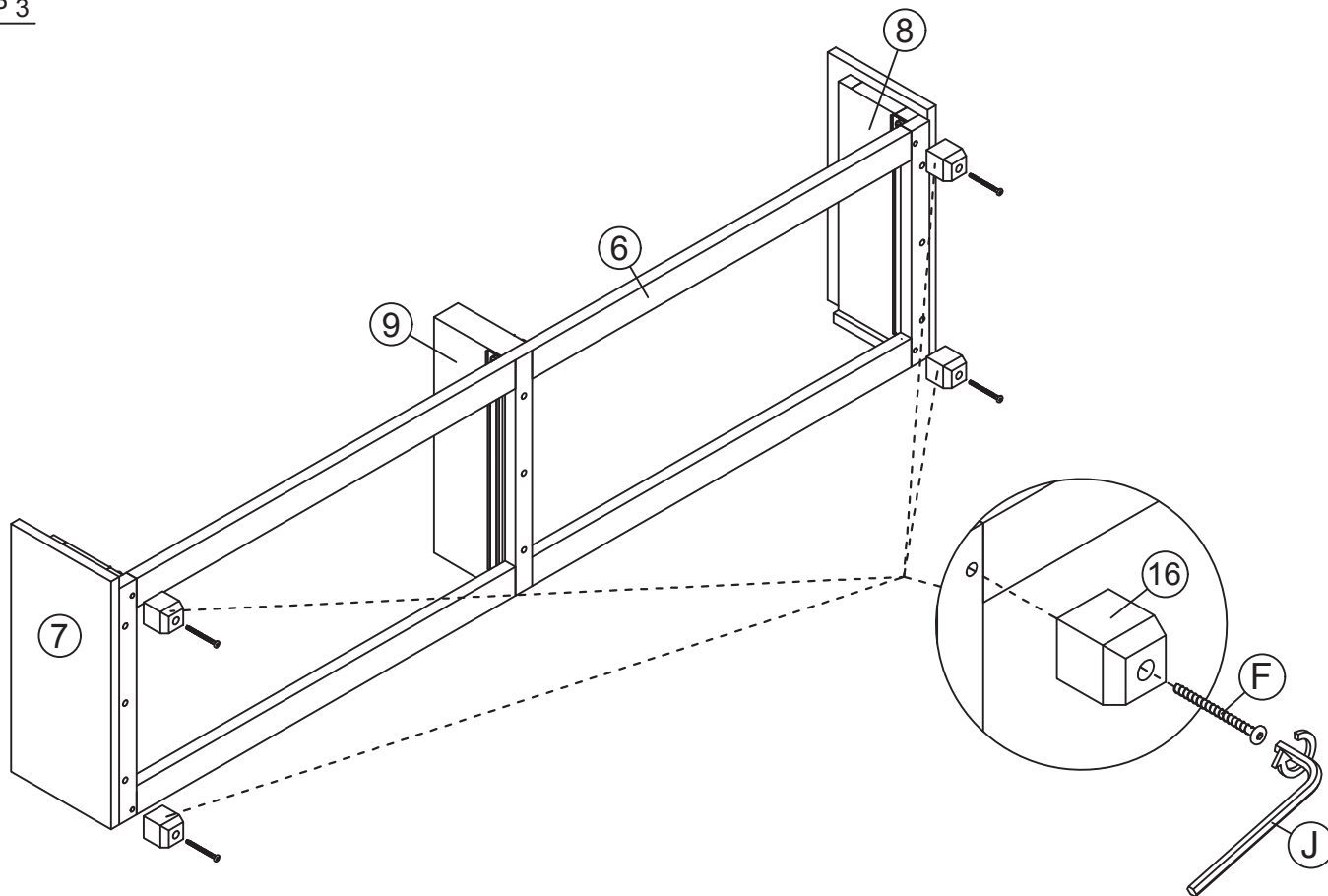


STEP 2

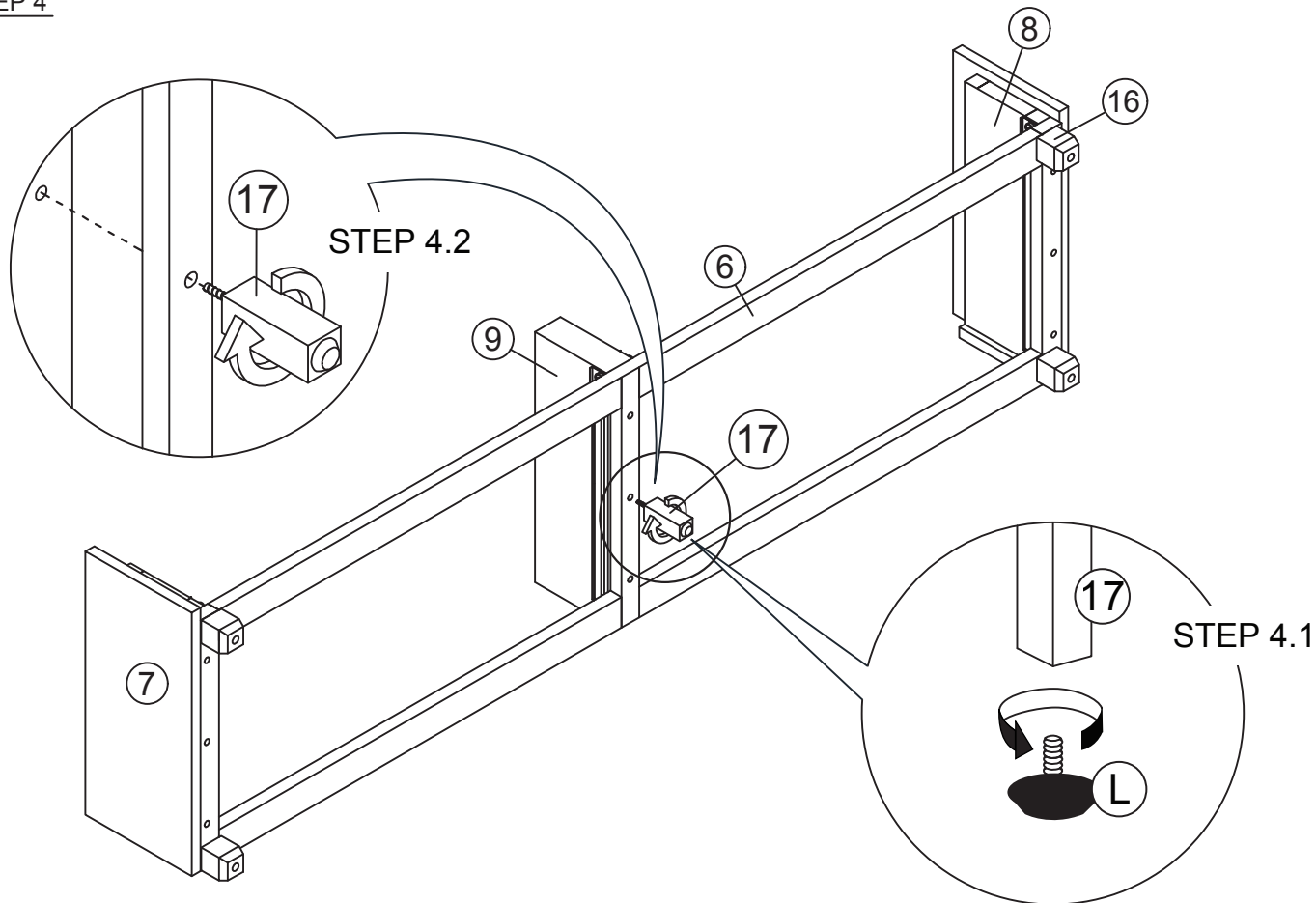


ASSEMBLY INSTRUCTION

STEP 3

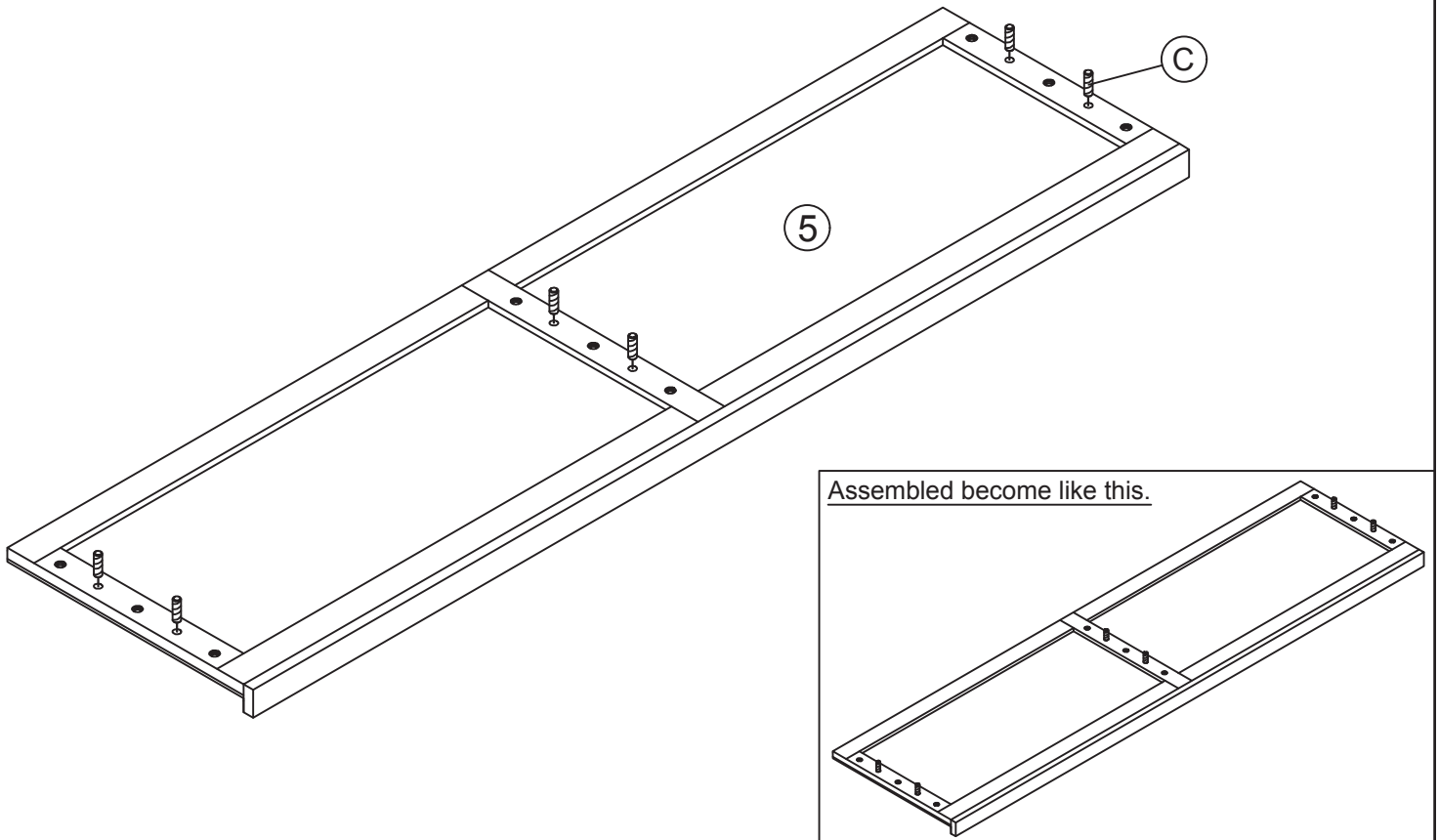


STEP 4

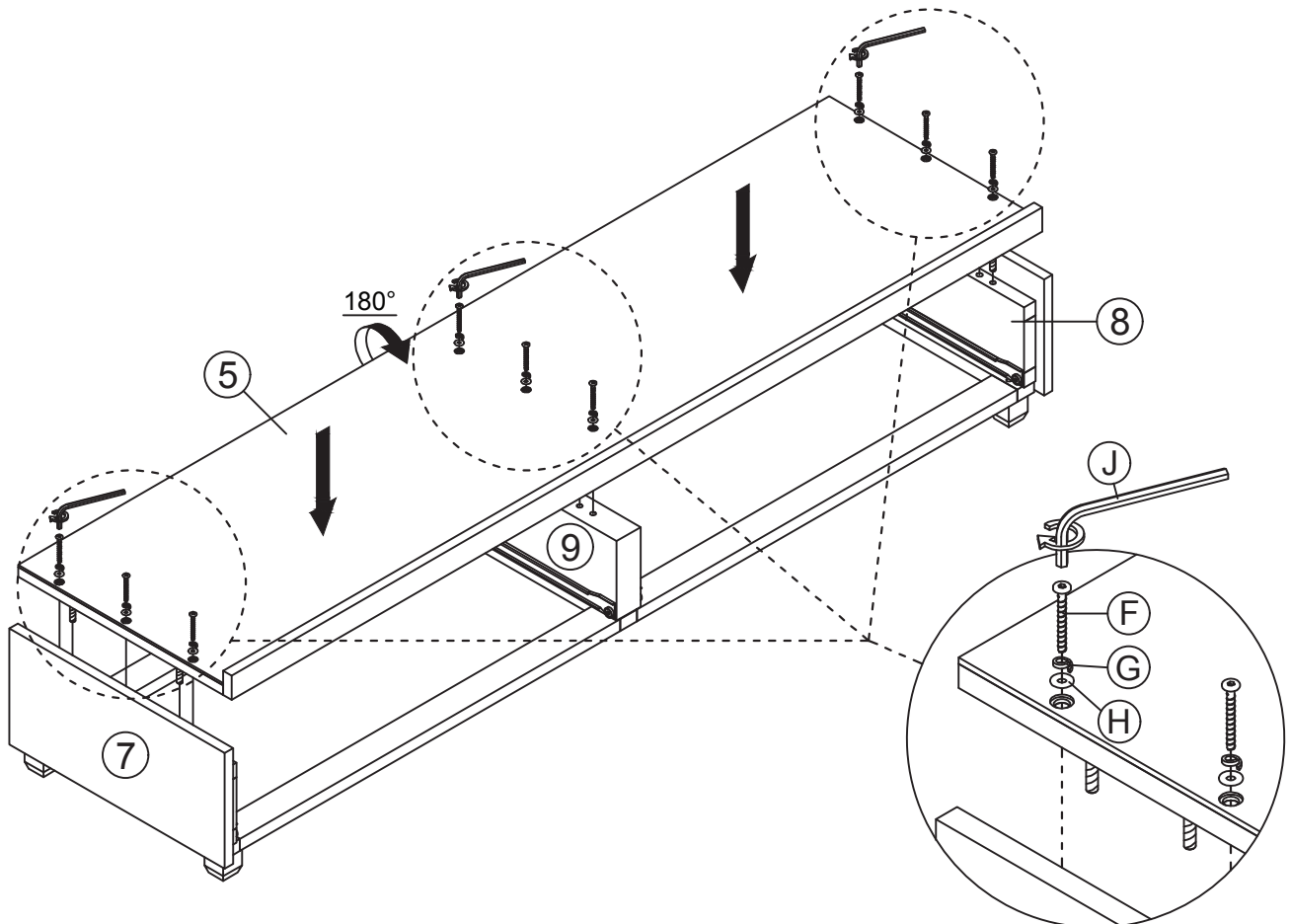


ASSEMBLY INSTRUCTION

STEP 5



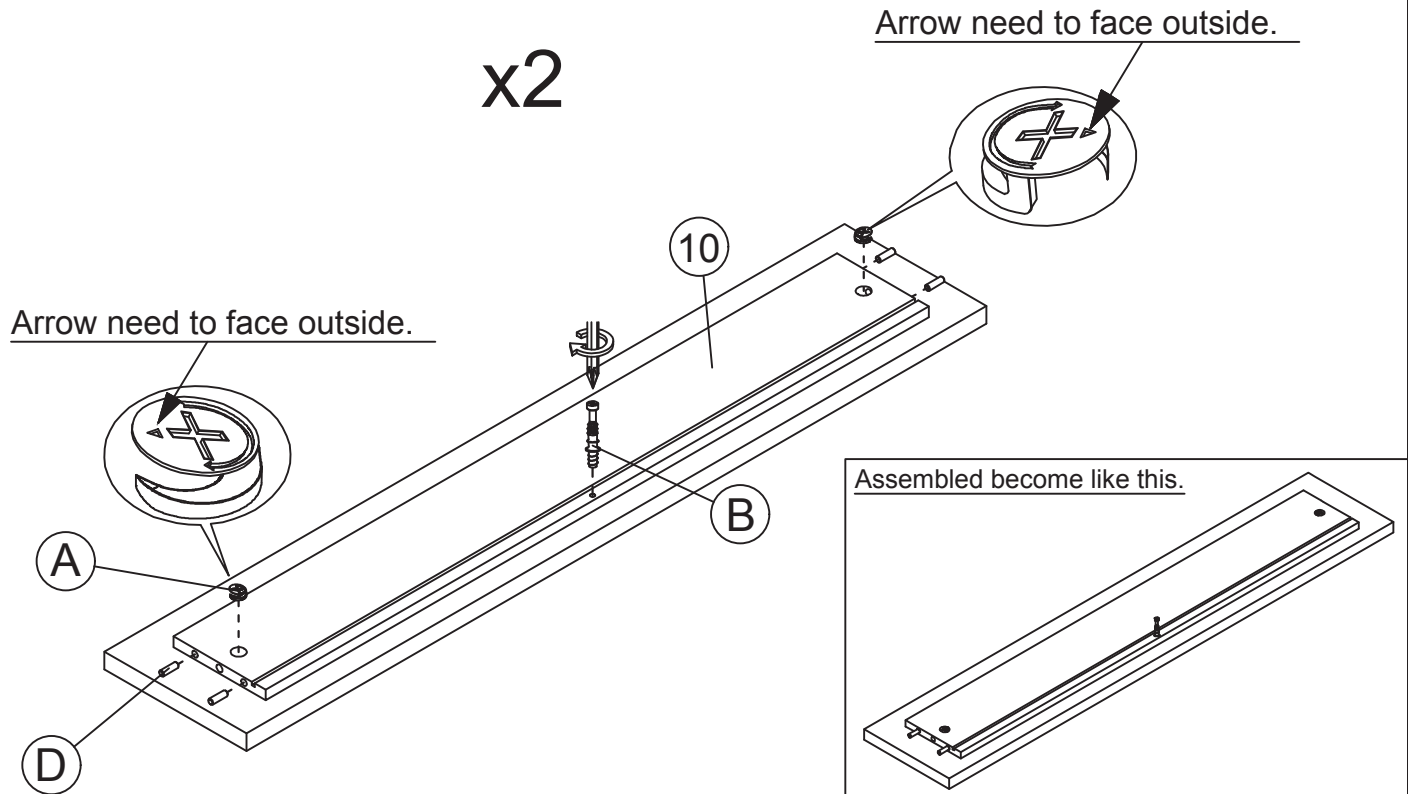
STEP 6



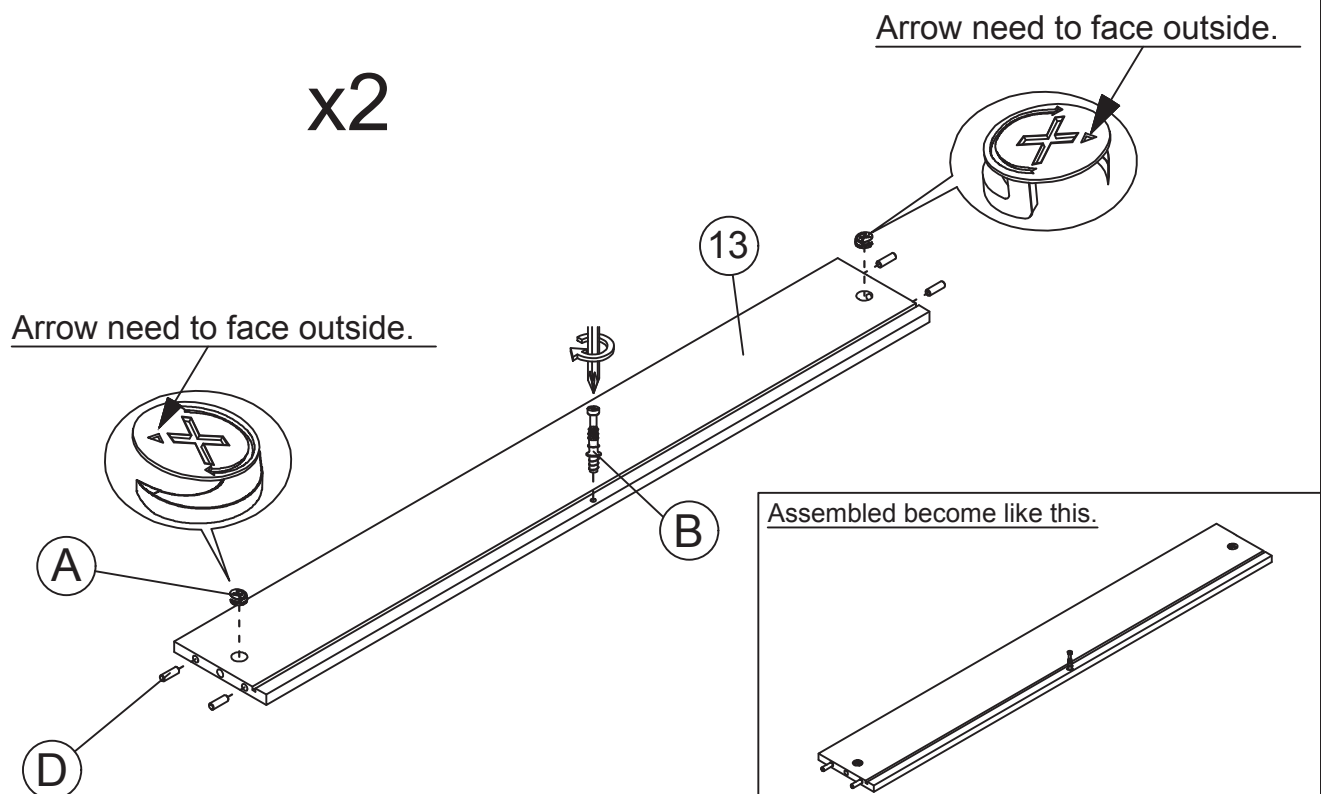
ASSEMBLY INSTRUCTION

ASSEMBLY STEPS

STEP 7

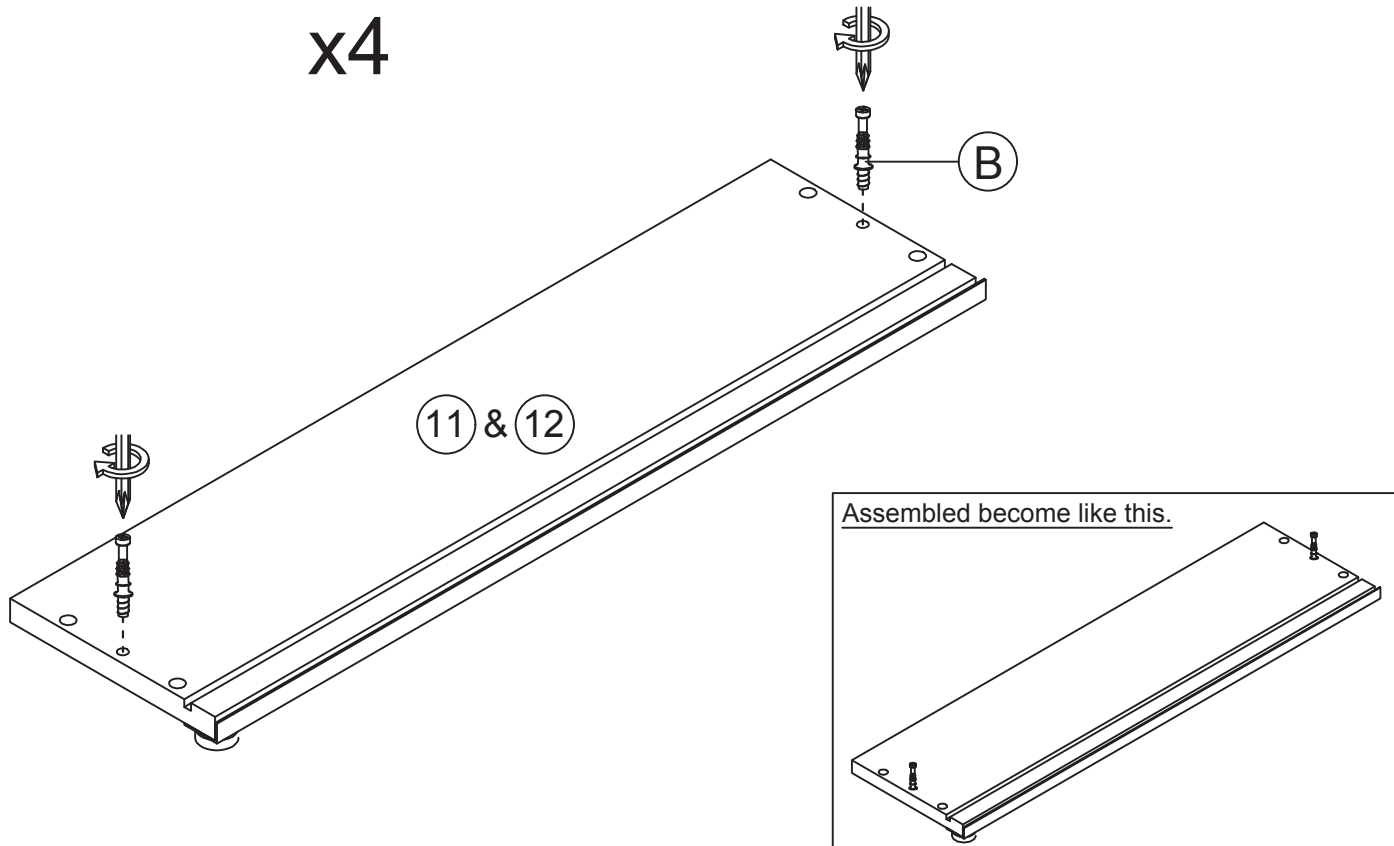


STEP 8

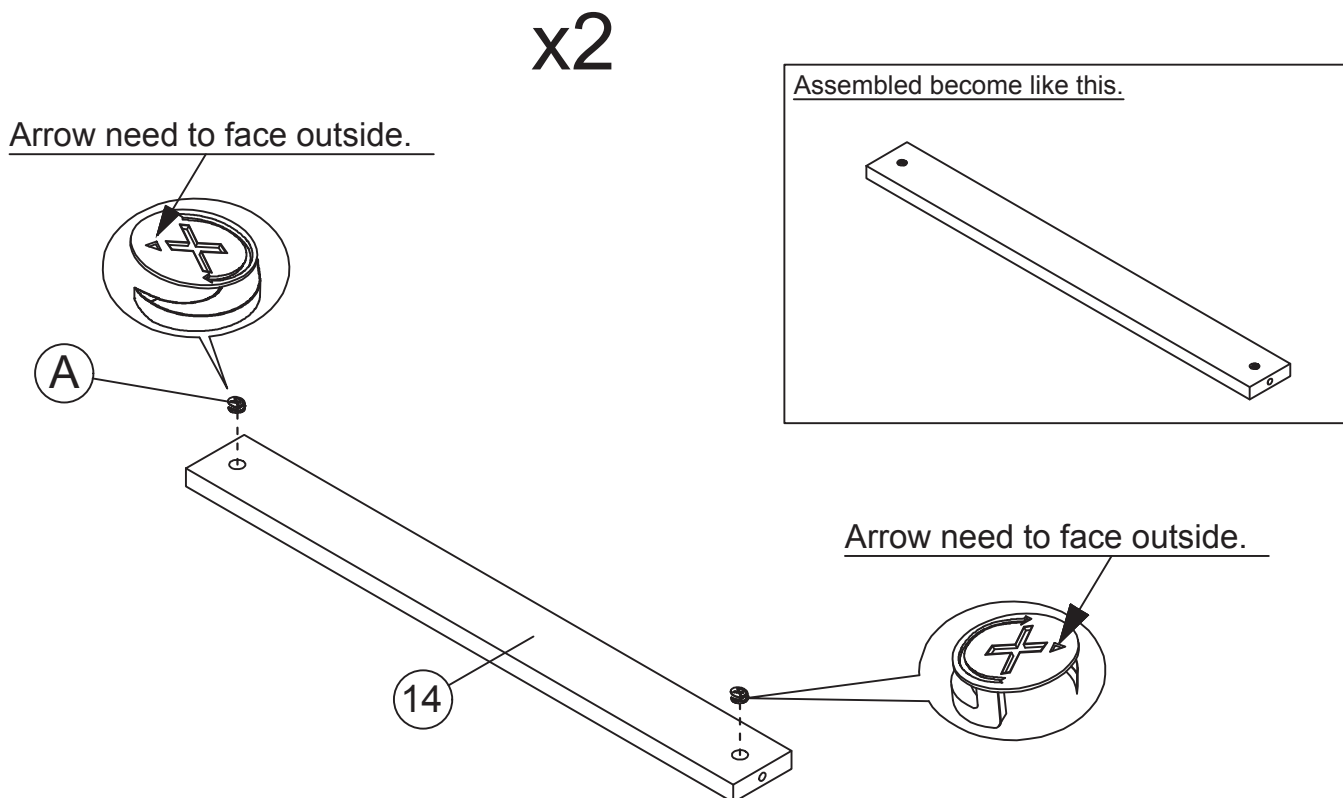


ASSEMBLY INSTRUCTION

STEP 9

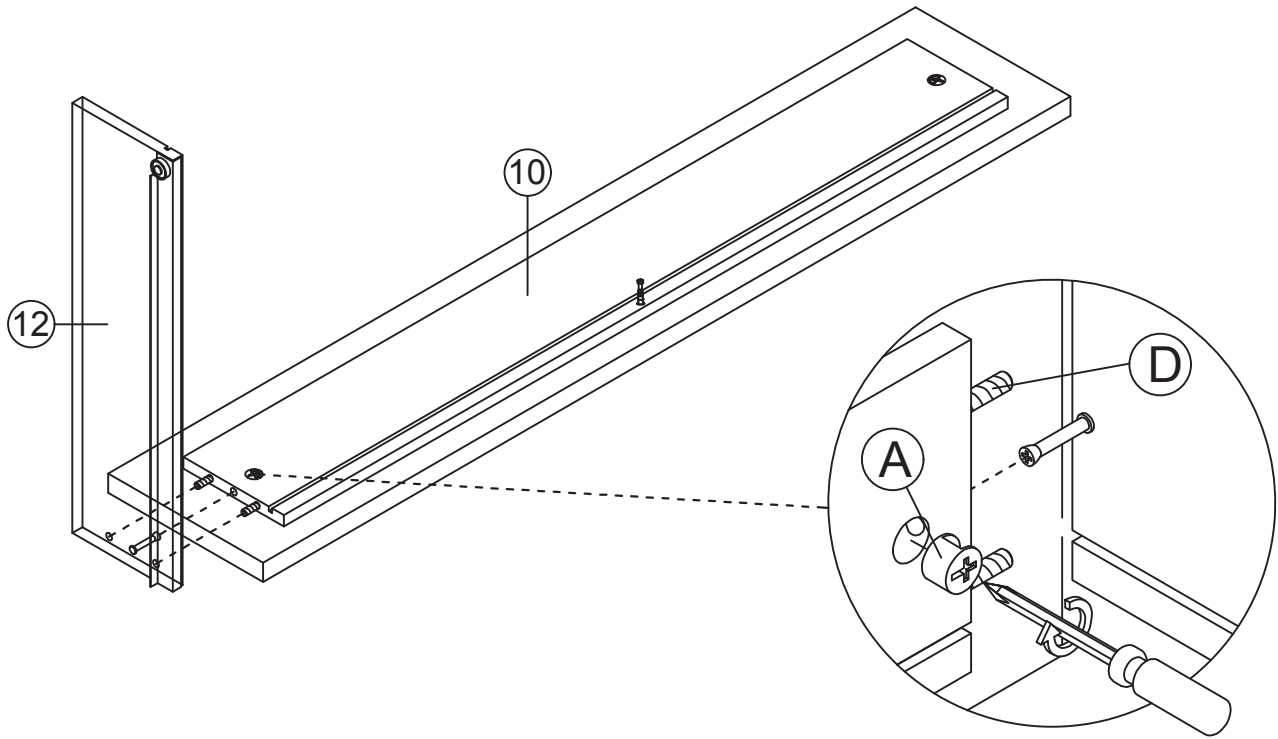


STEP 10

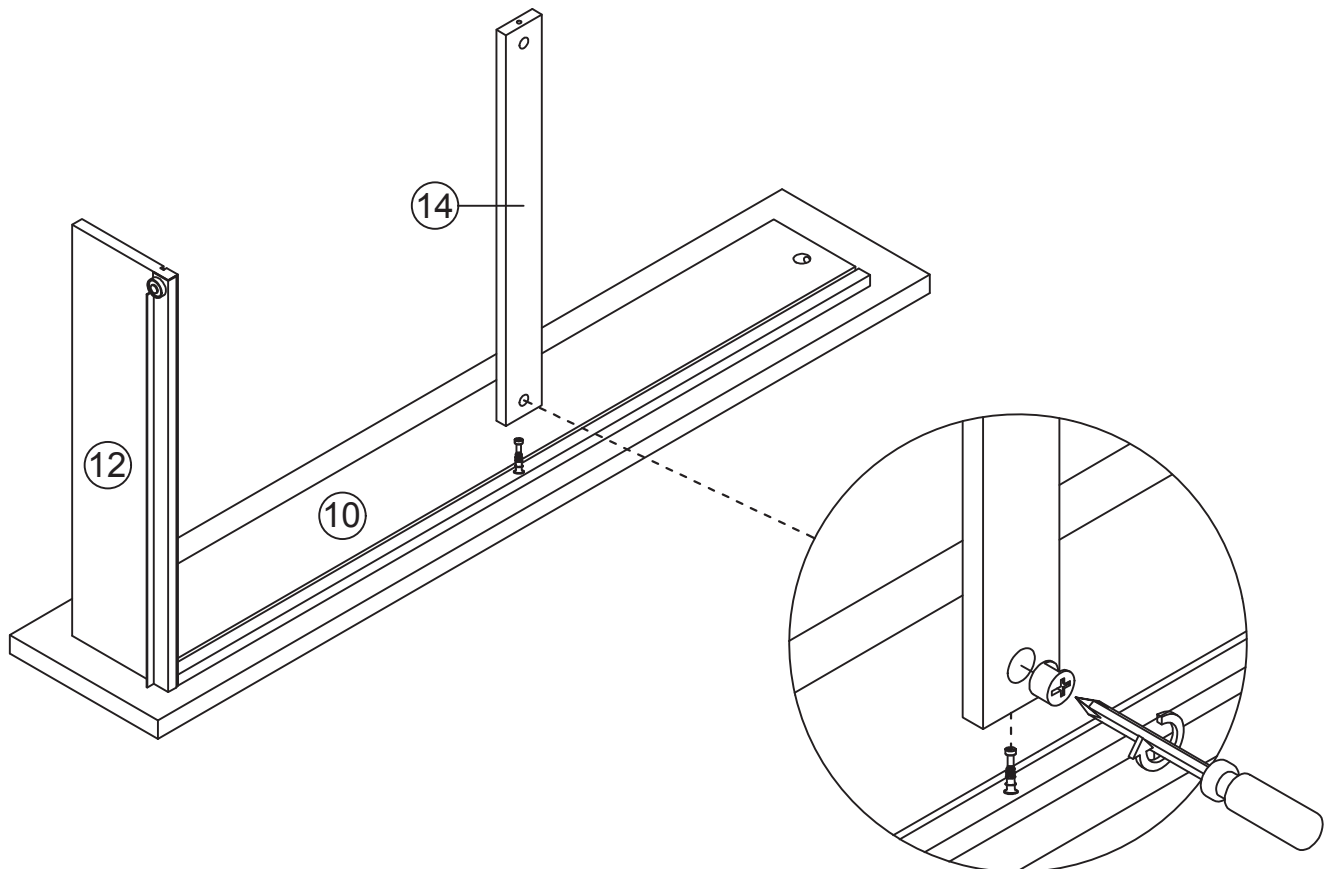


ASSEMBLY INSTRUCTION

STEP 11

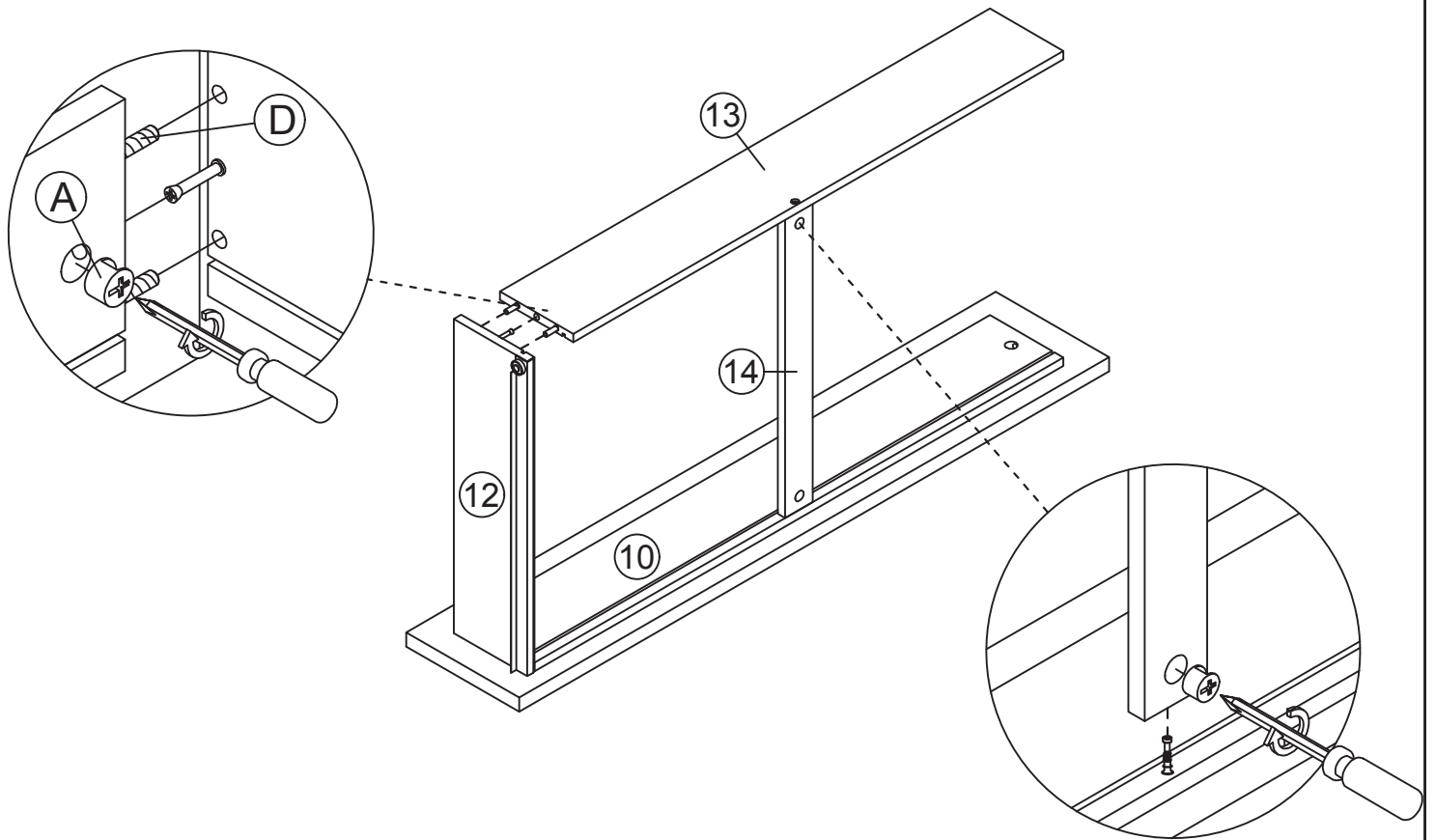


STEP 12

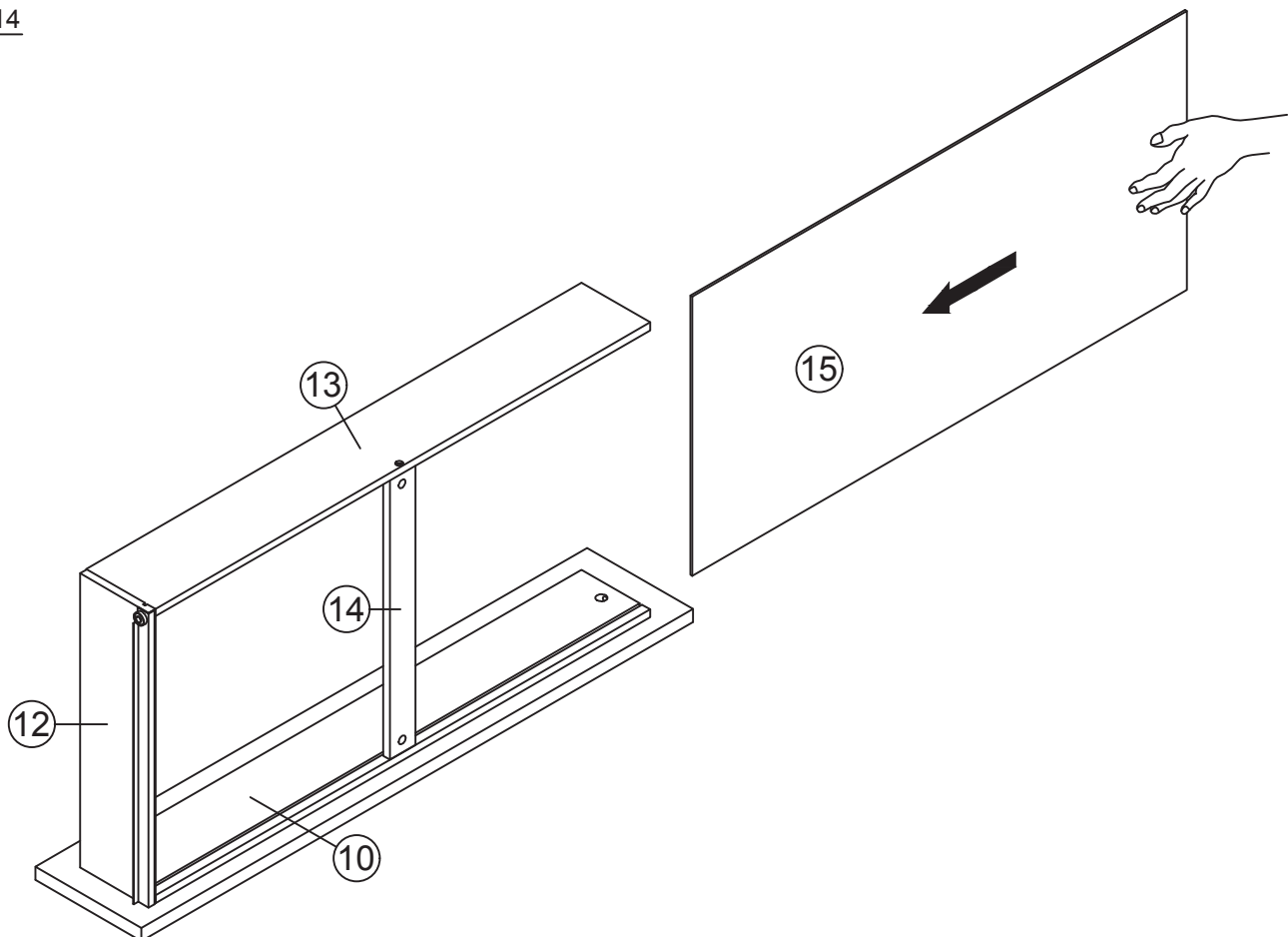


ASSEMBLY INSTRUCTION

STEP 13

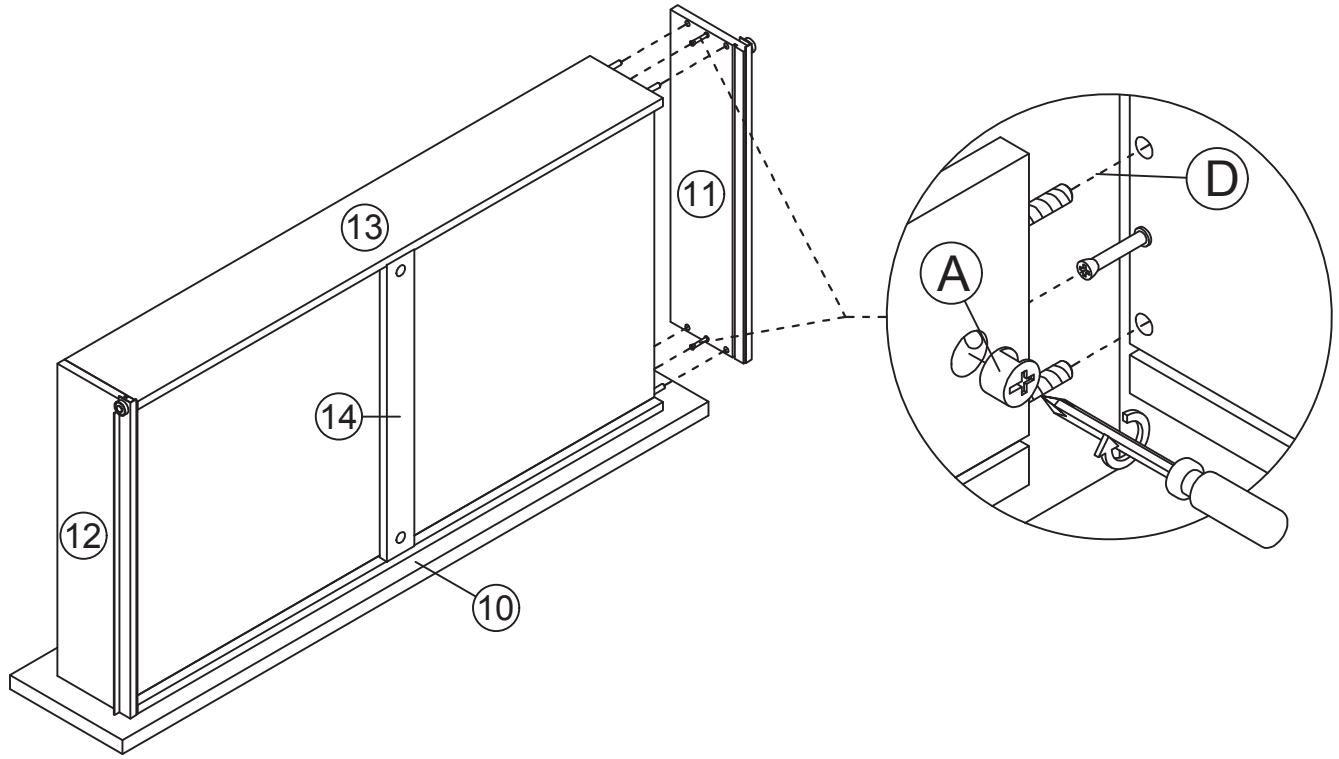


STEP 14

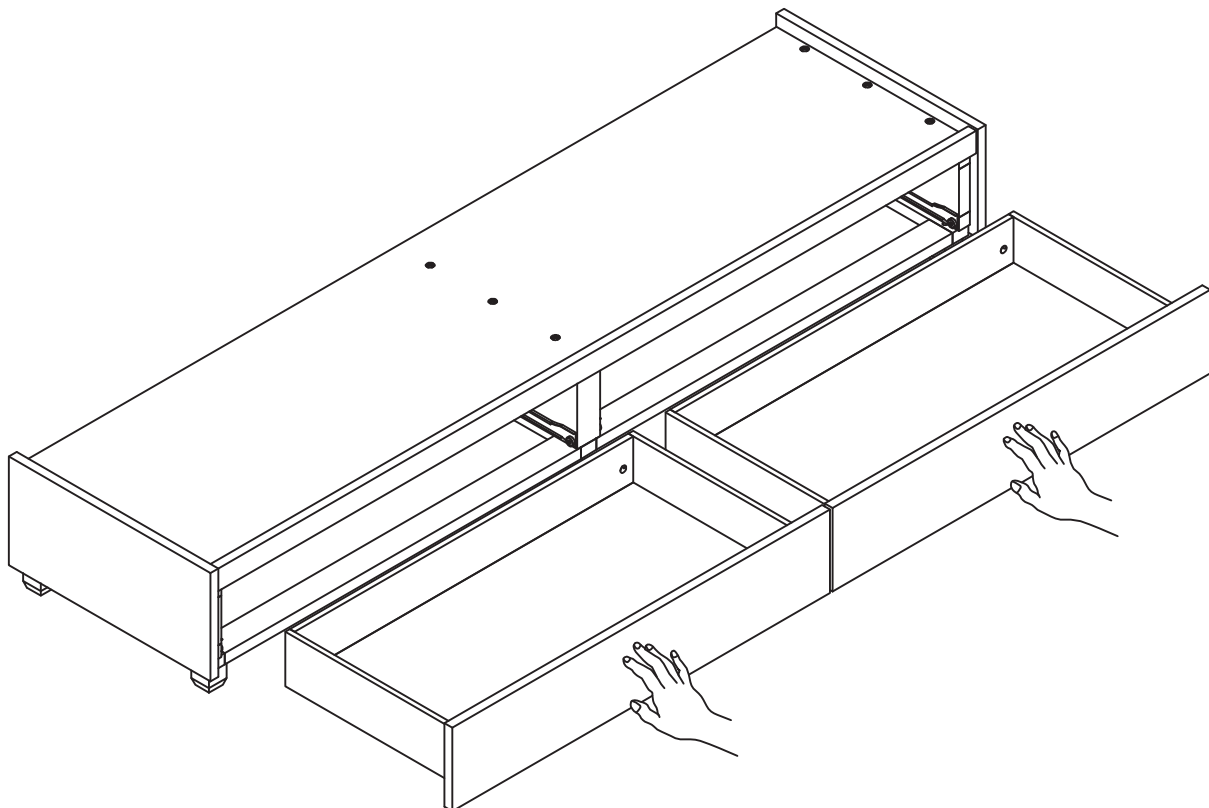


ASSEMBLY INSTRUCTION

STEP 15

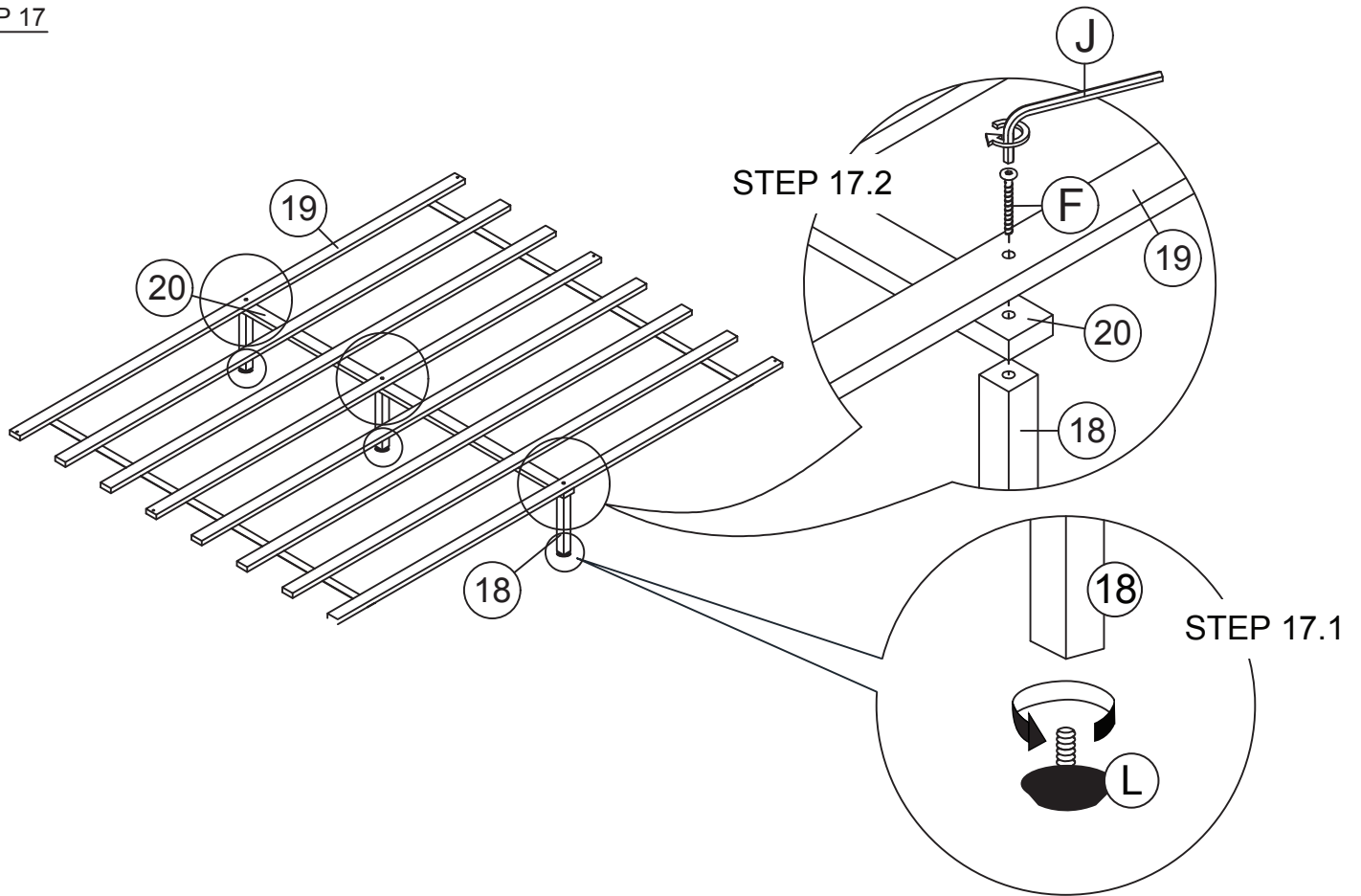


STEP 16

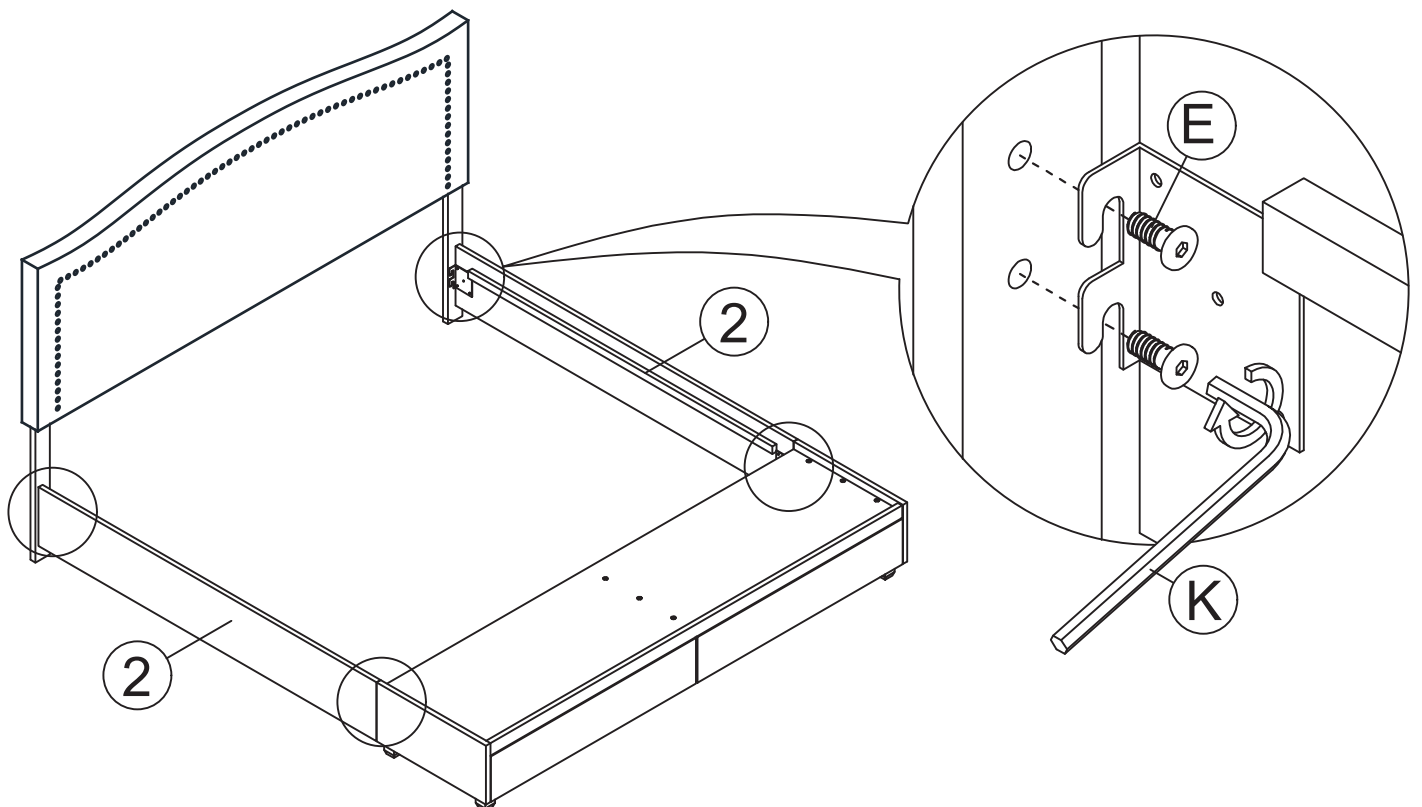


ASSEMBLY INSTRUCTION

STEP 17

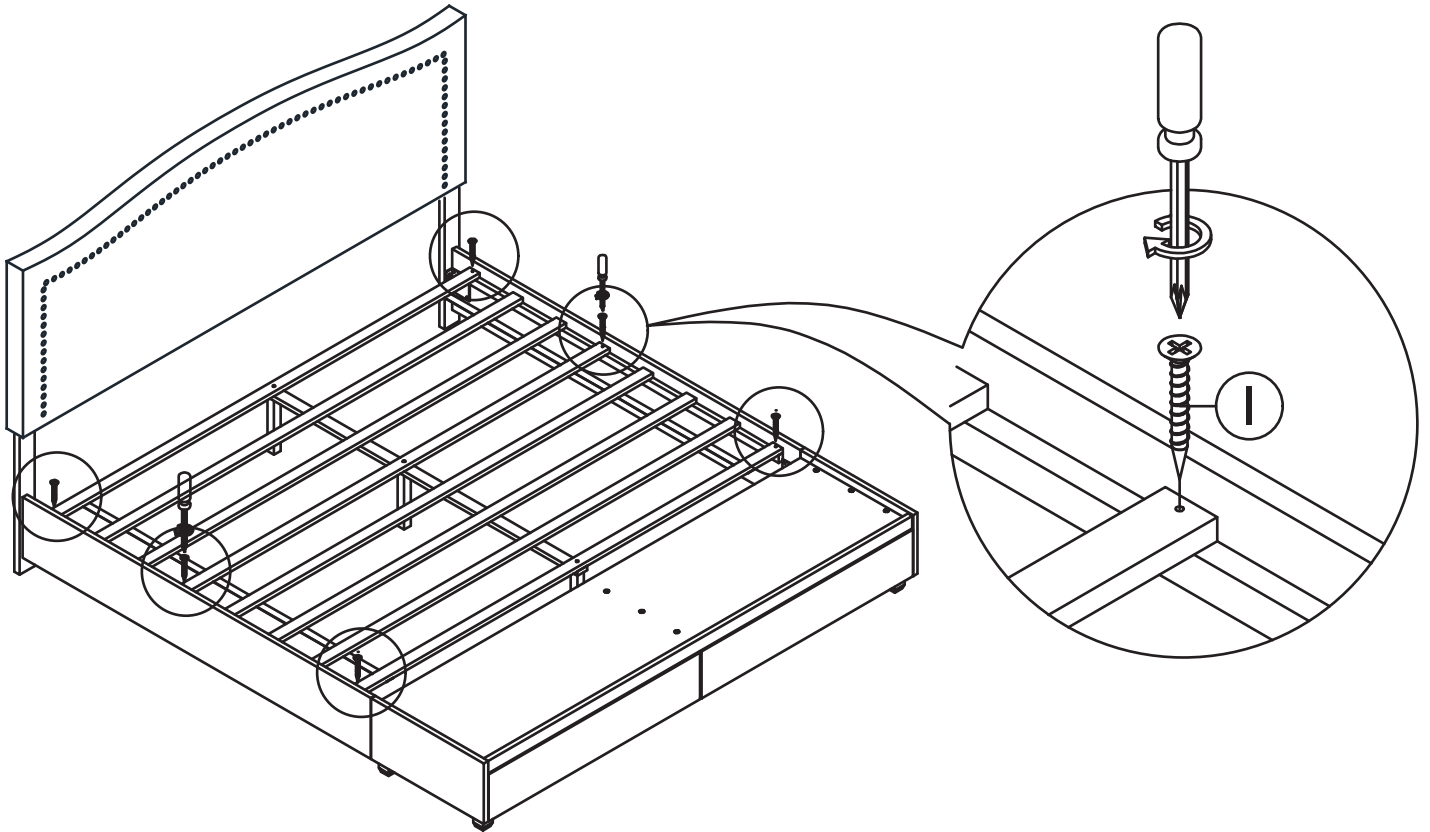


STEP 18

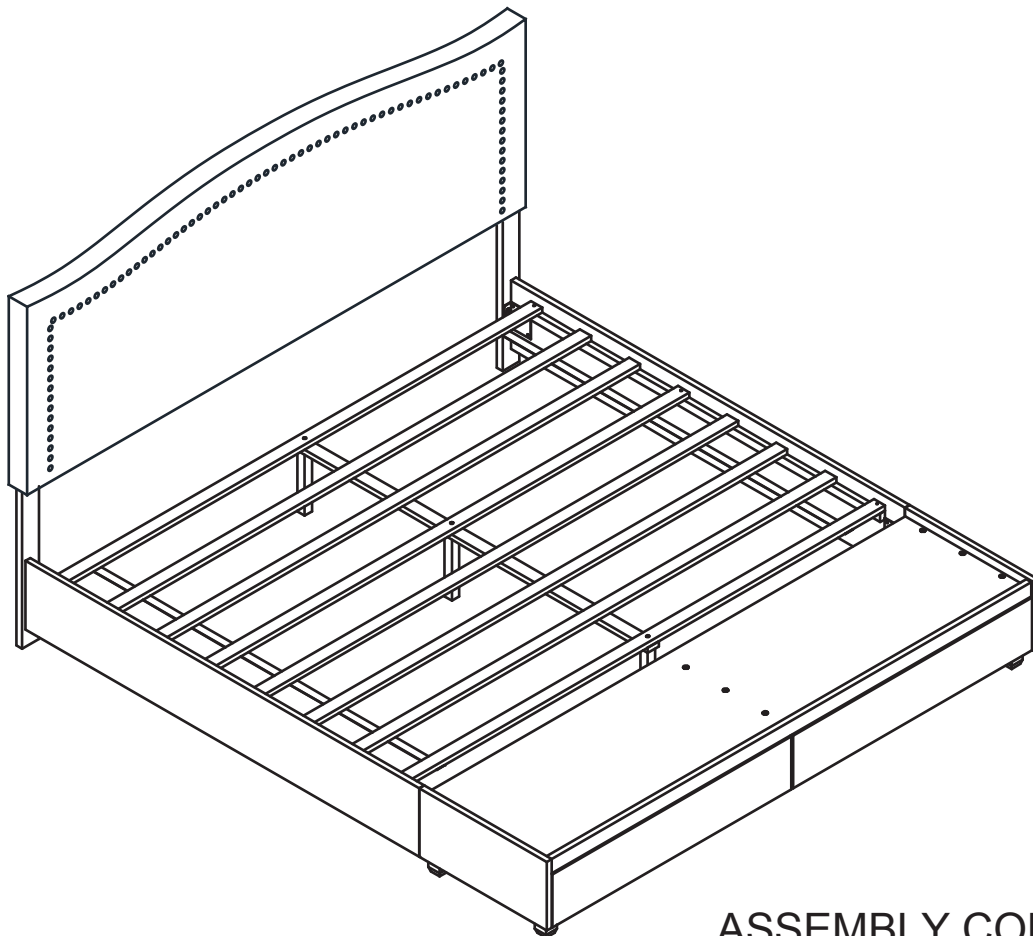


ASSEMBLY INSTRUCTION

STEP 19



STEP 20



ASSEMBLY COMPLETED