



We strive to ensure that our products are of the highest quality and free of manufacturing defects or missing parts. However, if you have any problems with your new product,

DO NOT RETURN IT TO THE STORE,

please contact us toll free @:

1-888-996-2729

FAX: 1-866-873-3531

gameroom@escaladesports.com

Or write to:

Escalade Sports
Customer Service Department
P.O. Box 889
Evansville, IN 47706

Please visit our Web site at:

www.escaladesports.com

Please have your date code when inquiring about parts.

When contacting Escalade Sports please provide your model number, date code (if applicable), and part number if requesting a replacement part. These numbers are located on the product, packaging, and in this owners manual.

Your Model Number 45-6851W/F

Date Code: 2 - 45-6851F - MW

Purchase Date: _____

PLEASE RETAIN THIS INSTRUCTION MANUAL FOR FUTURE REFERENCE

**IMPORTANT! READ EACH STEP
IN THIS MANUAL BEFORE YOU
BEGIN THE ASSEMBLY.**

IMPORTANT!

THE DRAWINGS IN THIS
MANUAL MAY BE
EXAGGERATED OR MODIFIED
TO SHOW DETAILS.



TWO ADULTS ARE REQUIRED TO ASSEMBLE THIS 7' MAVERICK BILLIARD TABLE

Tools Required:

- Allen Wrench (Included)
- Phillips Screwdriver
- Furniture Polish and Cloth

An electric screwdriver is helpful in assembly. However, please set at low torque and use extreme caution with an electric screwdriver because you could overtighten the hardware and strip the screws.

Assembly Tips

Make sure you understand the following tips before you begin to assemble your billiard table.

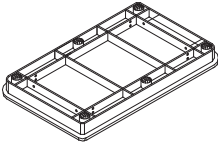


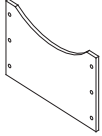
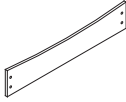
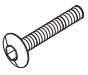
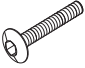





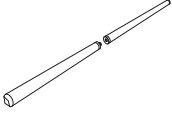
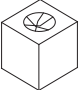

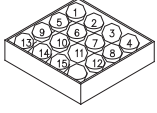

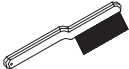
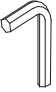
1. Start all bolts by hand before tightening.
2. Some drawings or images in this manual may not look exactly like your product. Please read and understand the text before starting each assembly step.



ATTENTION:

**READ AND FOLLOW ALL ASSEMBLY, OPERATION, AND
SAFETY INSTRUCTIONS CAREFULLY. AT LEAST TWO
ADULTS ARE NEEDED TO ASSEMBLE THIS BILLIARD
TABLE**

Parts List

<p>1</p>  <p>Main Billiard Cabinet 1 PC</p>	<p>2</p>  <p>Left Leg 2 PCS</p>	<p>3</p>  <p>Right Leg 2 PCS</p>	<p>4</p>  <p>End Leg Panel 2 PCS</p>	<p>5</p>  <p>Side Leg Apron 2 PCS</p>	<p>6</p>  <p>5/16"X1-1/2" Leg Bolt 12 PCS</p>
<p>7</p>  <p>1/4"X1" Bolt 8 PCS</p>	<p>8</p>  <p>5/16"X19X1.5 mm Washer 12 PCS</p>	<p>9</p>  <p>1/4"X15X1 mm Washer 8 PCS</p>	<p>10</p>  <p>4x12MM Washer Head Screw 12 PCS</p>	<p>11</p>  <p>5/16" lock washer 12 PCS</p>	<p>12</p>  <p>1/4" lock washer 8 PCS</p>
<p>13</p>  <p>2-PC Cue Stick 2 PCS</p>	<p>14</p>  <p>Cue Chalk 2 PCS</p>	<p>15</p>  <p>Triangle Rack 1 PC</p>	<p>16</p>  <p>Billiard Ball 1 SET</p>	<p>17</p>  <p>Leg Leveler 4 PCS</p>	<p>18</p>  <p>Billiard Playfield Brush 1 PC</p>
<p>19</p>  <p>Allen Wrench 1 PC</p>					

Assembly Tips

Attention: If you are using an electric screwdriver in the assembly, please set at low torque and do not over tighten the hardware. When assembling individual parts, loosely tighten screws until all screws are inserted, then tighten completely.

Assembly Instructions

NOTE: We recommend that two adults work together to assemble this Billiards Table.

Step 1

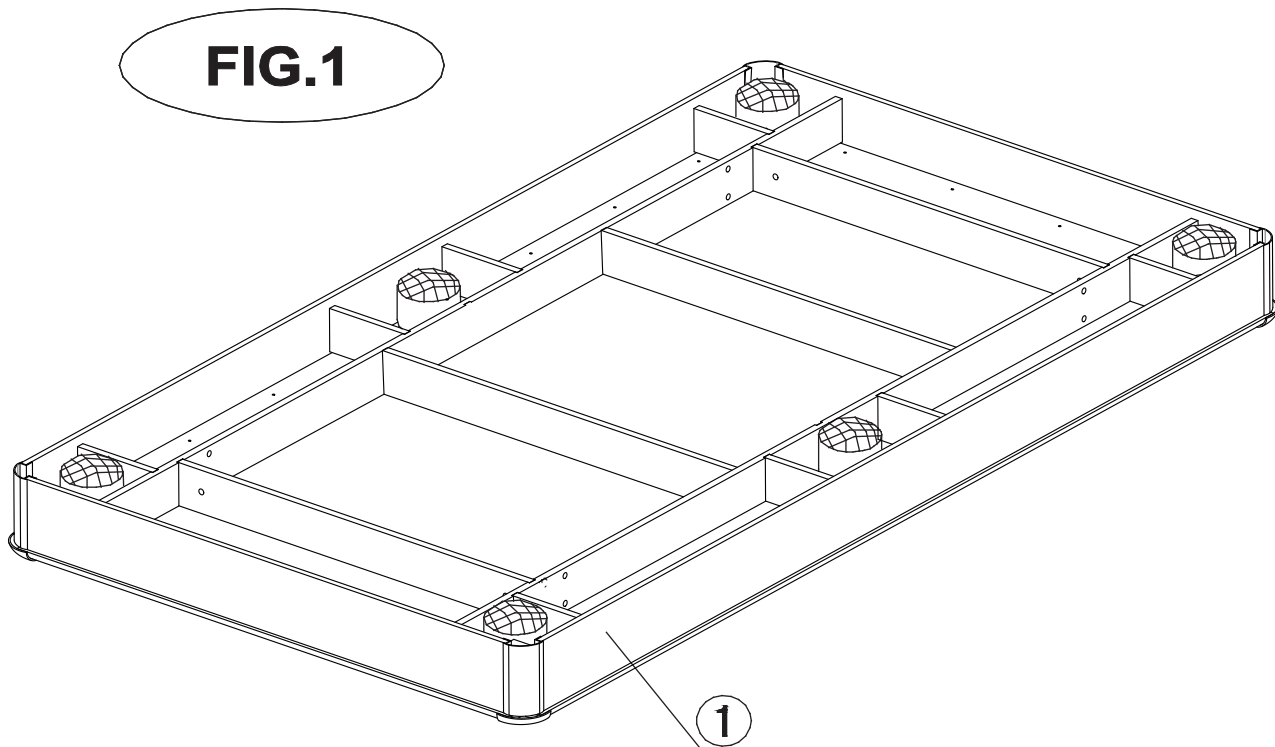
Find a clean, level place to begin the assembly of your billiards table. The table will be assembled upside down and then turned over onto its legs once the assembly is completed.

Step 2

Remove all the parts from the box and verify that you have all of the parts as shown on the parts list. Carefully cut or tear the four corners of the box so that the bottom of the box can be used as your work surface.

Step 3

Place the Main Billiard Cabinet (#1) face down in your work area.



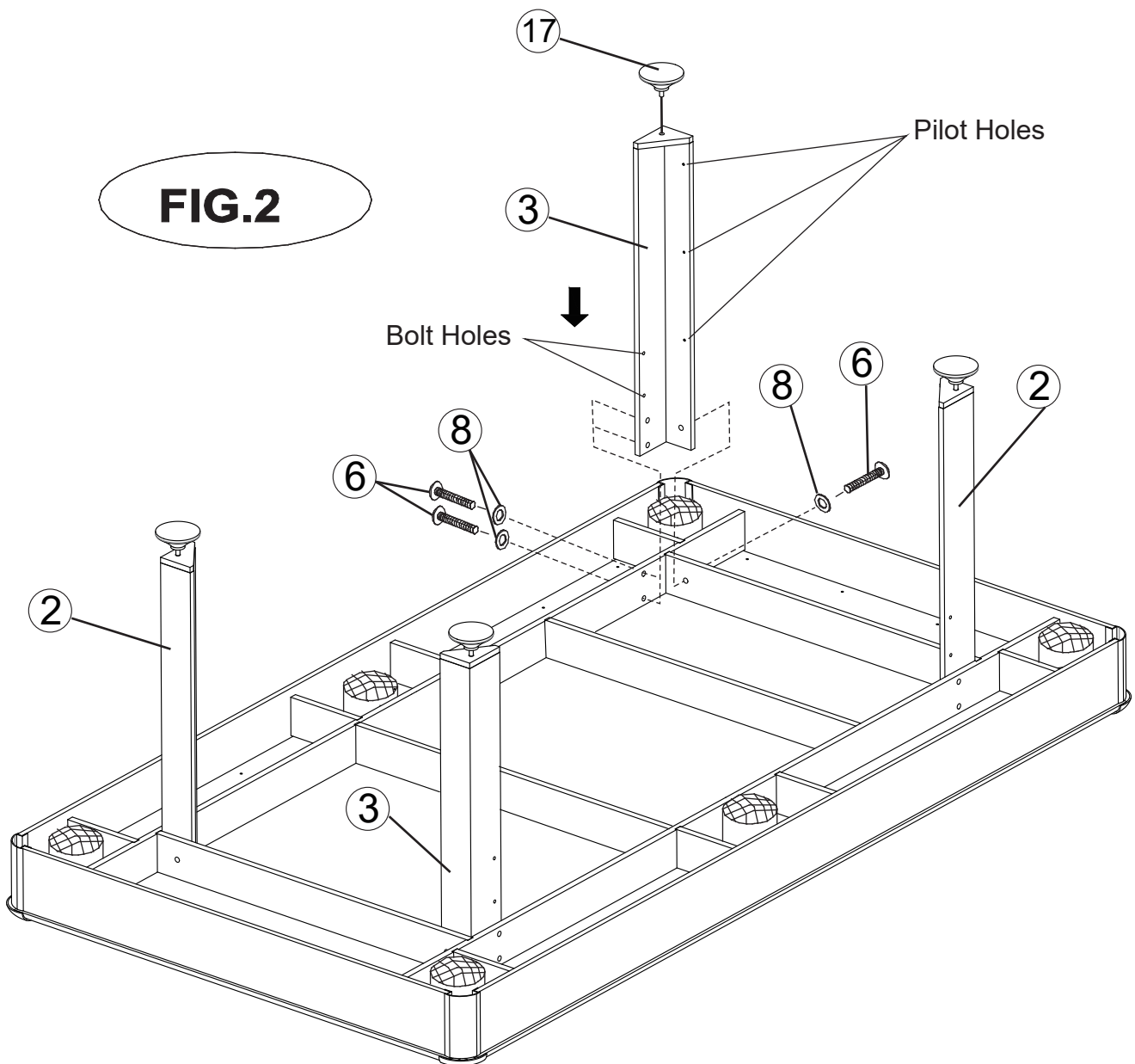
PART REQUIRED:

- 2 pcs - #2 Left Leg
- 2 pcs - #3 Right Leg
- 12 pcs - #6 Allen Head Bolt
- 12 pcs - #8 Flat Washer
- 4 pcs - #17 Leg Leveler
- 1 pc - #29 Allen Wrench

Step 4

Attach Left (#2) and Right (#3) Legs to the support frame using three Bolts (#6) and three Washers (#8) per leg. Then locate the four Leg Levelers (#17) and screw one onto each Leg. See FIG.2.

Do not tighten #6 Bolts until completion of STEP 6.

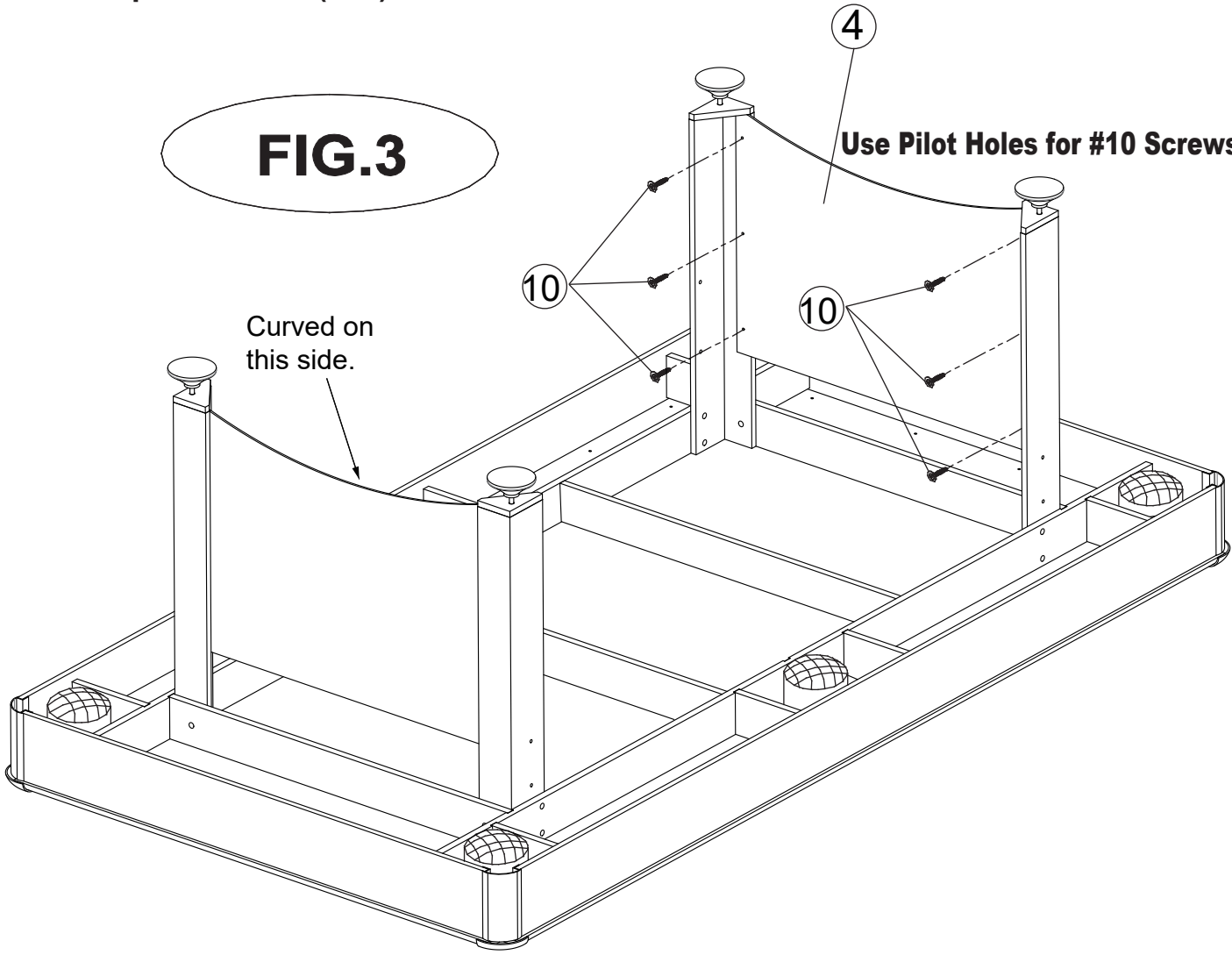


PART REQUIRED:
2 pcs - #4 End Leg Panel
12 pcs - #10 Screws

Step 5

Attach End Leg Panels (#4) inside of Legs using pilot holes with six Screws (#10) per Leg panel.
See FIG.3.

DO NOT strip out Screw (#10).

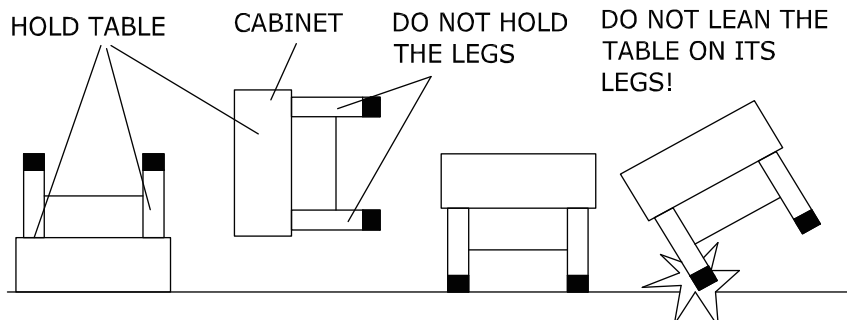
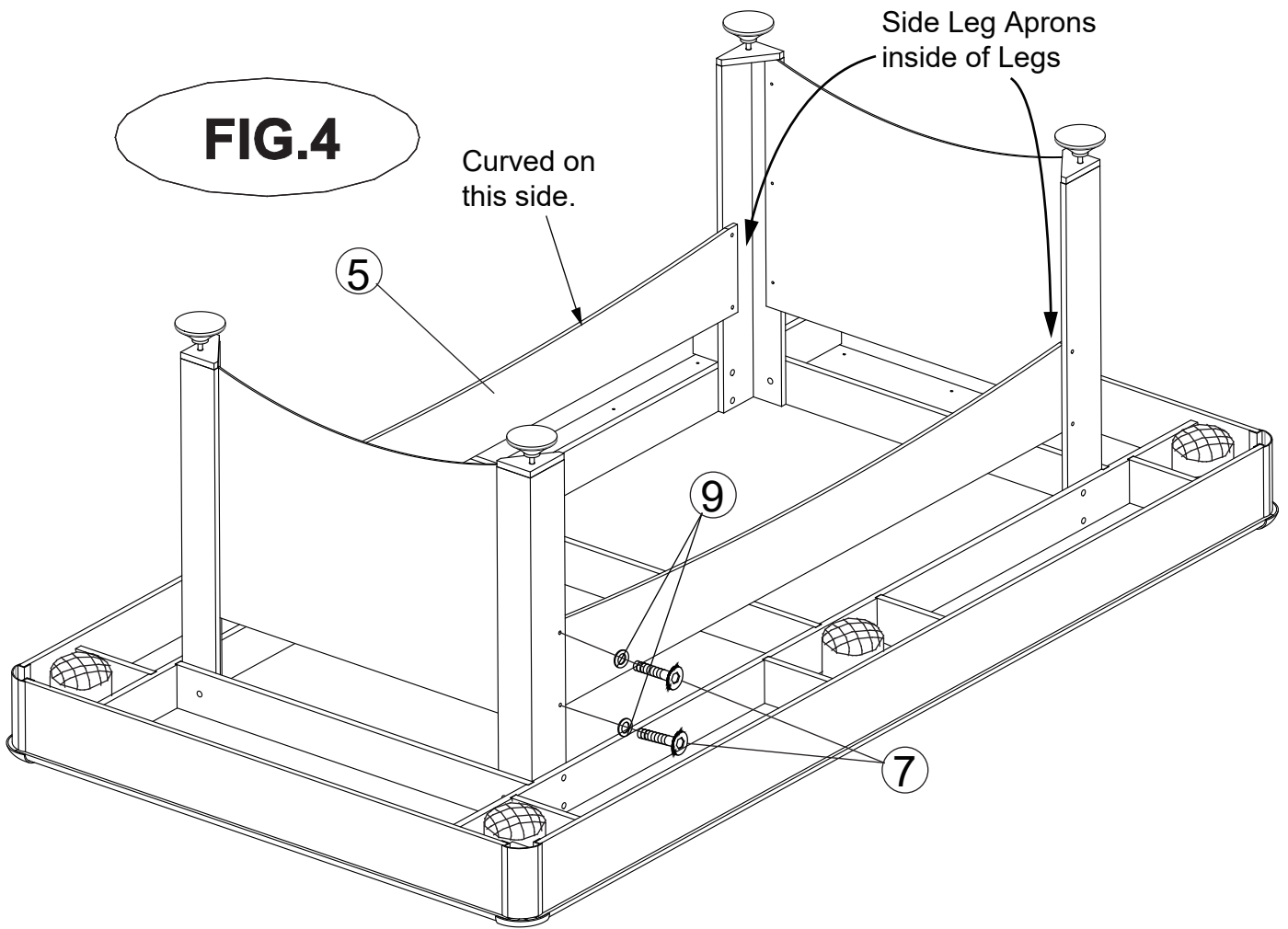


PART REQUIRED:
 2 pcs - #5 Side Leg Apron
 8 pcs - #7 Allen Head Bolt
 8 pcs - #9 Flat Washer
 1 pc - #29 Allen Wrench

Step 6

Attach Side Leg Aprons (#5) inside of Legs using two Bolts (#7) and two Washers (#9) per Leg. See FIG.4.

Use the #19 Allen Wrench to tighten all bolts. **Lastly tighten all #6 Leg Bolts from STEP 4.**



CAUTION: Four strong adults are recommended to flip the table as shown.
 1. Grab the table on the ground.
 2. Turn the table over.
 3. Place it on all four feet at the same time on the ground.

Congratulations! You have now assembled your pool table. Please note the Care and Use instructions below to insure many years of trouble free use of your billiard table.

CARE AND USE OF YOUR TABLE

1. Use spray furniture polish to clean all exterior surfaces of your pool table.
2. Use the table brush provided to clean the cloth on the table.
3. This product is intended for **INDOOR** use only.
4. **DO NOT** sit, climb or lean on the table.
5. **DO NOT** drag the table when moving it. This will damage the legs.
6. **DO NOT** set drinks on the table.
7. The purchase of a pool table cover will both protect and help keep clean the
8. entire top of the pool table.
Use a carpenters level to properly level table using the leg levelers.
9. Periodically check all bolts and screws for correct tightness.

PRODUCT PARTS LIST FOR MODEL # 45-6851W/F

Key #	Part #	Description	Qty.
1	45-6851MW1	Main Billiard Cabinet	1
2	45-6851MW2	Left Leg	2
3	45-6851MW3	Right Leg	2
4	45-6851MW4	End Leg Panel	2
5	45-6851MW5	Side Leg Apron	2
6	45-6851MW6	5/16"X1-1/4" Leg Bolt	12
7	45-6851MW7	1/4"x1" Bolt	8
8	45-6851MW8	5/16"×19 ×1.5 MM Washer	12
9	45-6851MW9	1/4"×15 ×1 MM Washer	8
10	45-6851MW10	4x12MM Washer Head Screw	12
11	45-6851MW11	5/16" Lock washer	12
12	45-6851MW12	1/4" Lock washer	8
13	45-6851MW13	2-PC Cue Stick	2
14	45-6851MW14	Cue Chalk	2
15	45-6851MW15	Triangle Rack	1
16	45-6851MW16	Billiard Ball Set	1
17	45-6851MW17	Leg Leveler	4
18	45-6851MW18	Billiard Playfield Brush	1
19	45-6851MW19	Allen Wrench	1

90 DAY LIMITED WARRANTY

This customer warranty extends to the original owner, on the purchase of any ESCALADE SPORTS Product (hereinafter referred as the "Product").

WARRANTY DURATION: This Product is warranted to the original owner, for a period of 90 days from the original purchase.

WARRANTY COVERAGE: ESCALADE SPORTS warrants to the original owner, this product to be free from defects in material and workmanship when used for the intended purpose under normal use and conditions. THIS WARRANTY IS VOID IF THE PRODUCT HAS BEEN DAMAGED BY ACCIDENT, UNREASONABLE USE, NEGLIGENCE, IMPROPER SERVICE, FAILURE TO FOLLOW INSTRUCTIONS PROVIDED WITH THE PRODUCT OR OTHER CAUSES NOT ARISING OUT OF DEFECTS IN MATERIAL AND WORKMANSHIP.

WARRANTY REPLACEMENT: During the above 90 day warranty period, ESCALADESPORTS shall provide replacement components or replace with a comparable product at our choosing. If product is defective under normal use and proper care, please contact our Customer Service Dept.

1-888-996-2729 / Customer Service Dept.

Or Write us at:

Escalade® Sports, Inc. - P.O. Box 889, Evansville, IN 47706

Attn: Customer Service Dept.

Or E-mail us at:

gamerom@escaladesports.com

Other than shipping requirements, no charge will be made for such replacement of in-warranty products.

WARRANTY DISCLAIMERS: ANY IMPLIED WARRANTIES ARISING OUT OF THIS SALE, INCLUDING BUT NOT LIMITED TO THE IMPLIED WARRANTIES OF MERCHANTABILITY AND FITNESS FOR A PARTICULAR PURPOSE, ARE LIMITED IN DURATION TO THE ABOVE 90 DAY PERIOD. ESCALADE SPORTS SHALL NOT BE LIABLE FOR LOSS OF USE OF THE PRODUCT OR OTHER CONSEQUENTIAL OR INCIDENTAL COSTS, EXPENSES OR DAMAGES INCURRED BY THE CONSUMER OF ANY OTHER USE.

Some states do not allow the exclusion or limitation of implied warranties or consequential or incidental damages, so the above limitations or exclusions may not apply to you.

LEGAL REMEDIES: This warranty gives you specific legal rights and you may also have other rights which may vary from state to state.