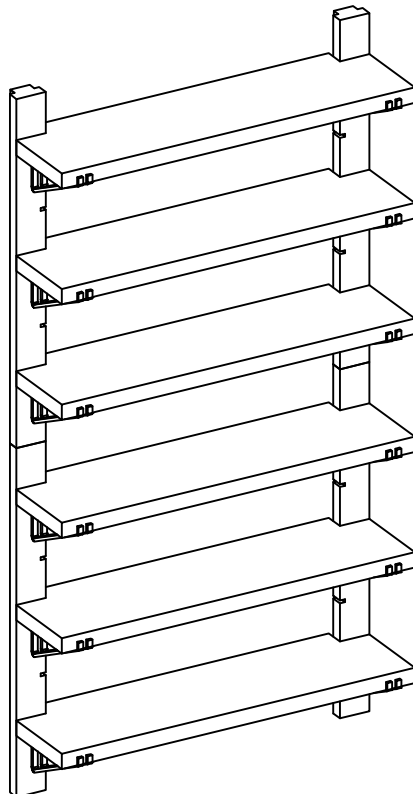
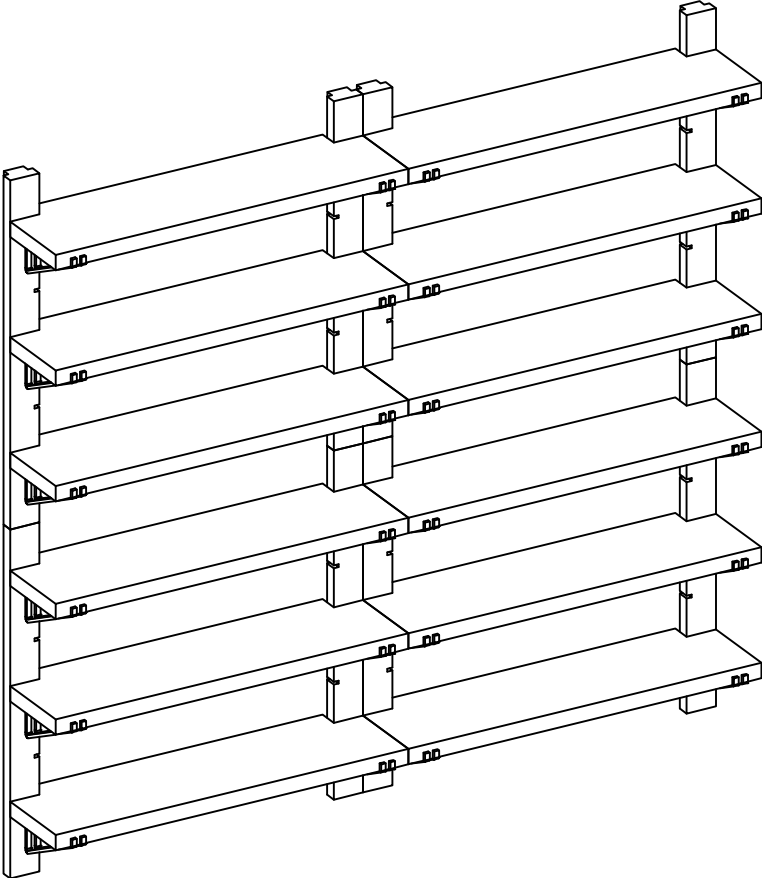


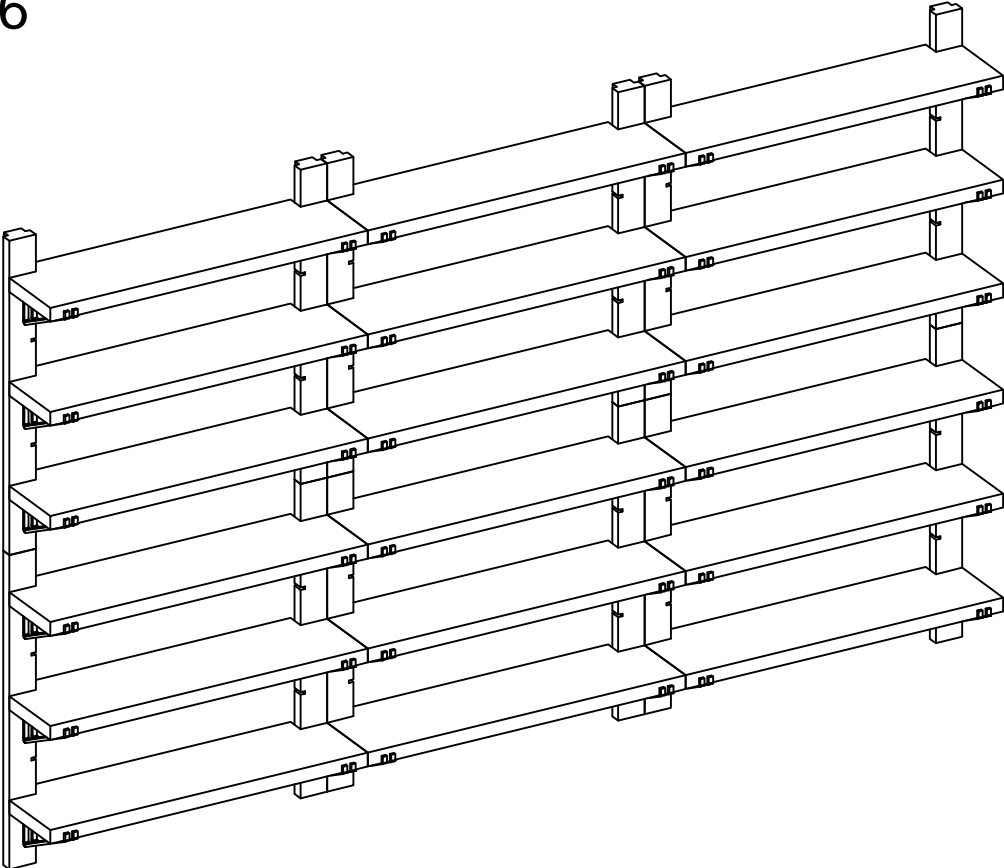
Set of 2



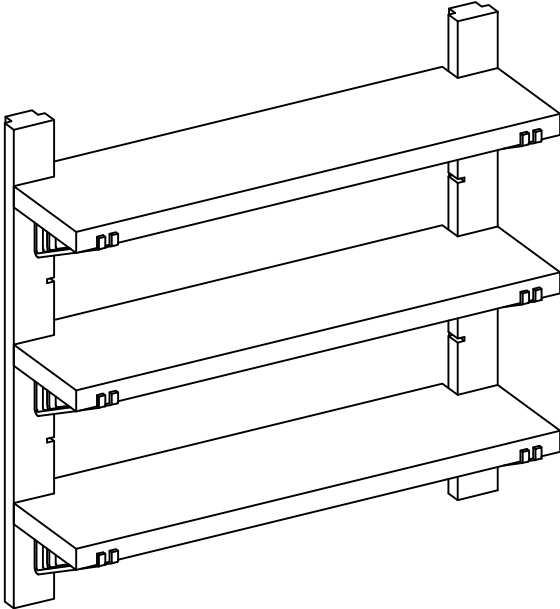
Set of 4




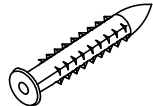
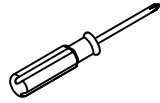
Set of 6

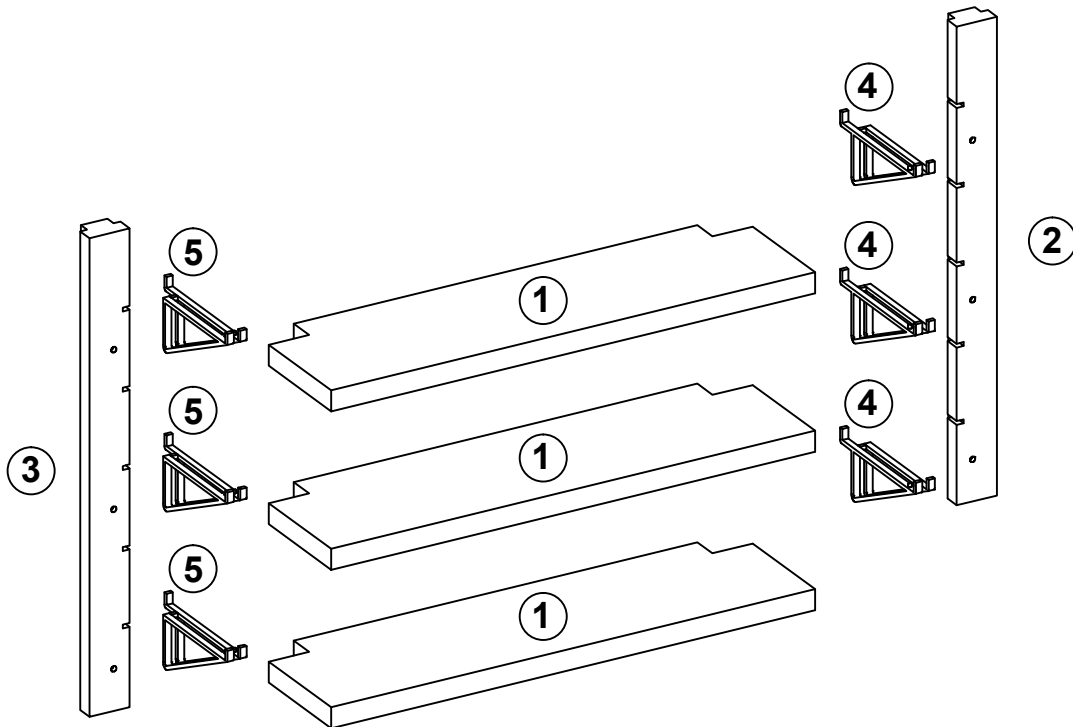


ASSEMBLY INSTRUCTION FOR MODEL: SHELF

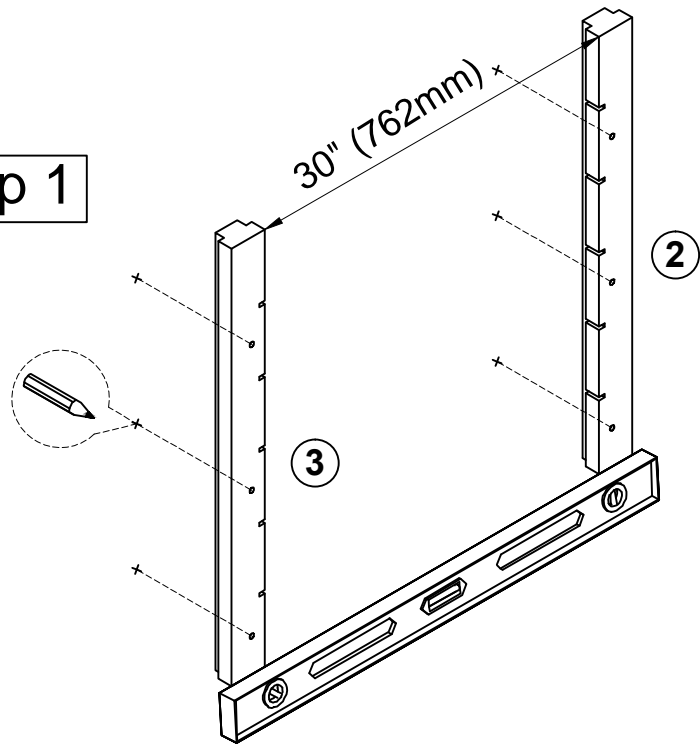


HARDWARE LIST

A		SCREW Ø5x60 mm	6
B		RAWLPLUG	6
C		TOOL (Not included)	1

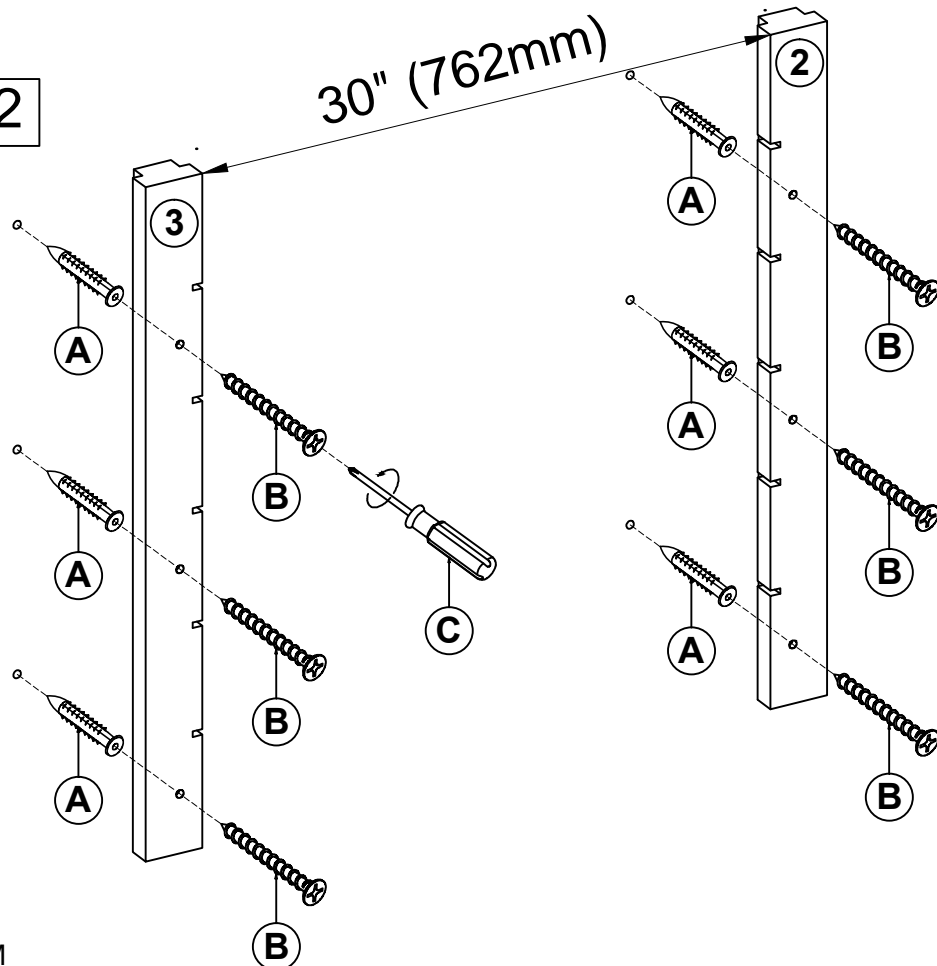


Step 1



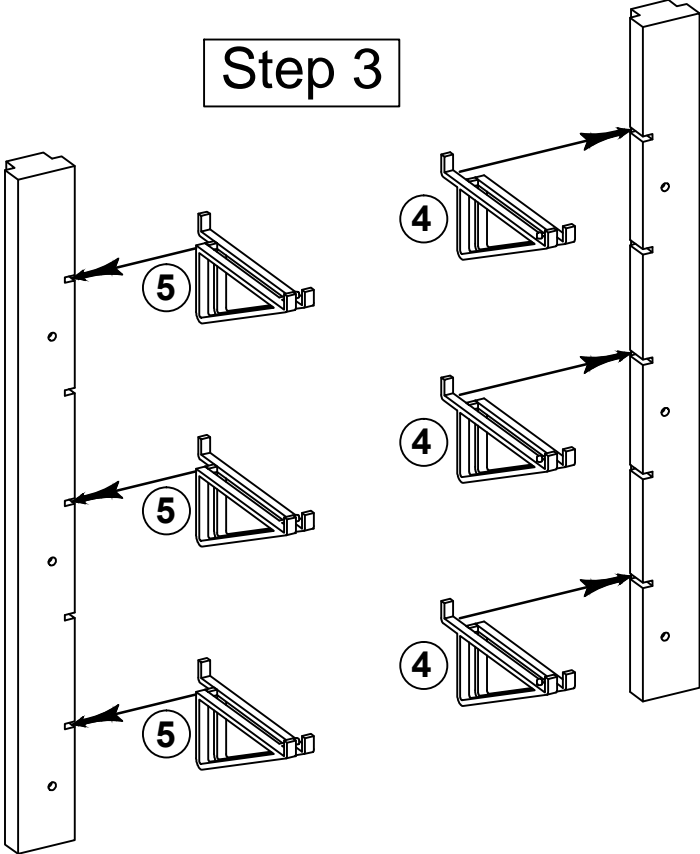
Please note: Use drawing scale 1:1 drill these holes location to your wall

Step 2

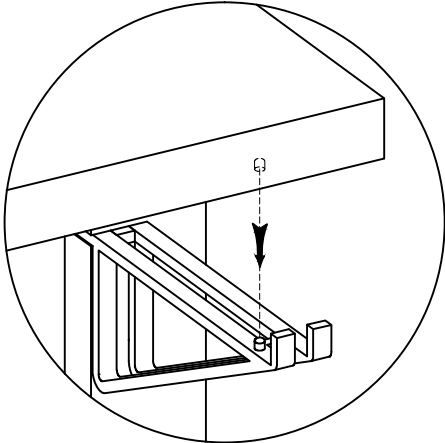
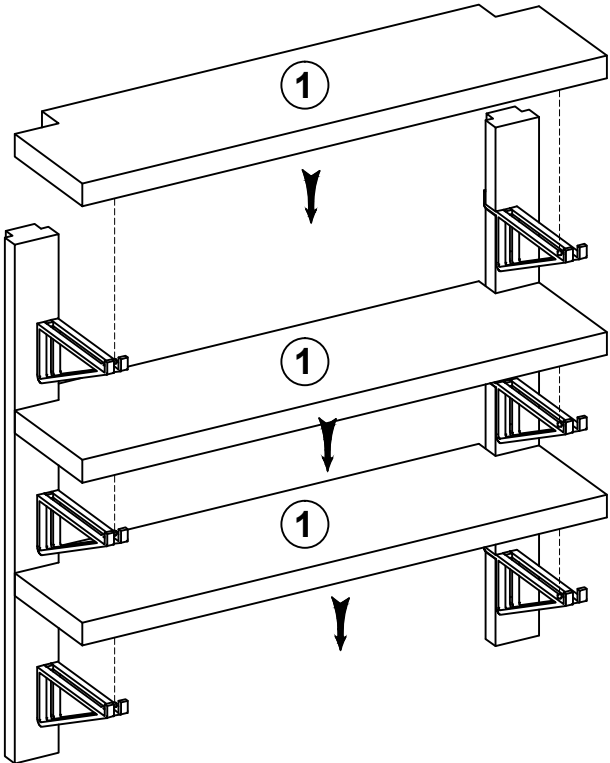


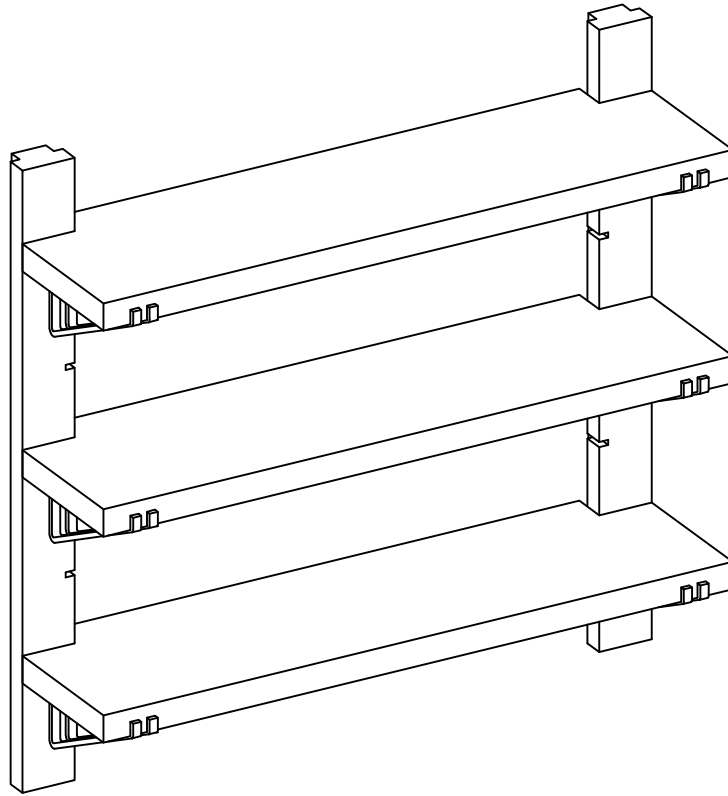
Option 1

Step 3



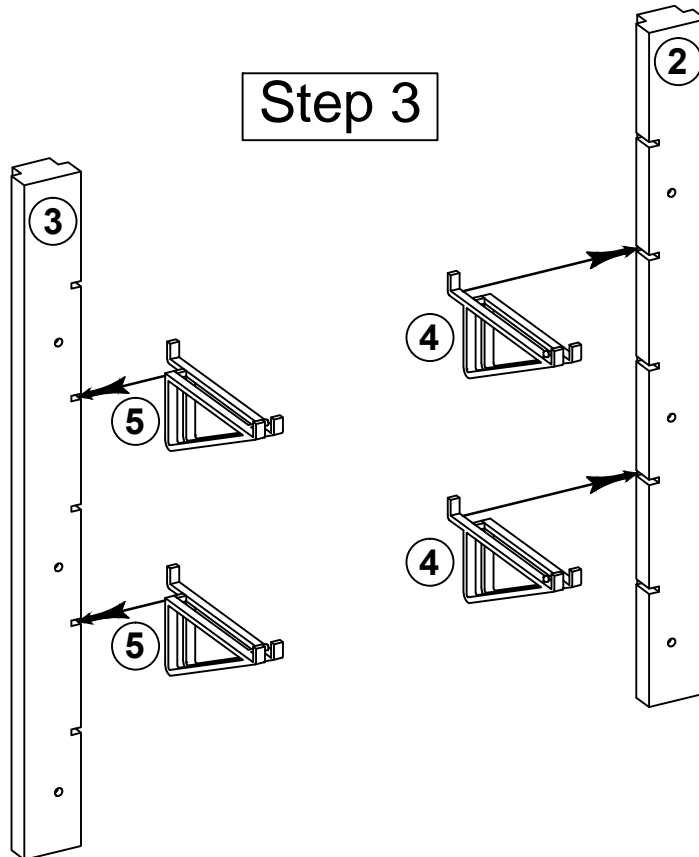
Step 4





Option 2

Step 3



Step 4

