

# Owner Manual



30 : 00

---

estimated  
assembly time



2 or more

---

people required

Ok, let's  
get started!



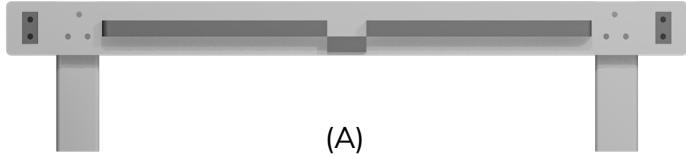
- Put on mood music!
- To prevent damage to product, use the clean side of package carton or rug as working surface.
- In the event of missing or damaged parts, delivery problems etc., please reach out to our team. We will be happy to fix the problem!

# care guide

- Clean regularly with a soft and dry cloth.
- To protect finish, avoid use of abrasive cleaners.
- Wipe up spills immediately. Please!



# product parts



(A)  
Headboard  
x2



(B)  
Legs  
x4



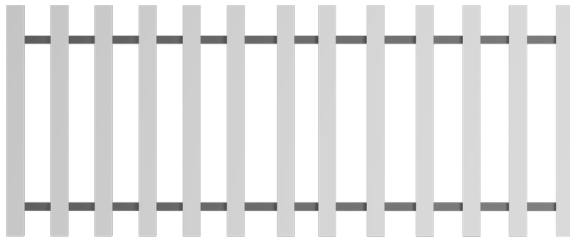
(C)  
Side Rails  
x2



(D)  
Mid Rail  
x1



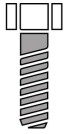
(E)  
Mid Legs  
x3



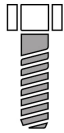
(F)  
Slats  
x2

<b>YS</b>	Yellow sticker
<b>WS</b>	White sticker

# what's included



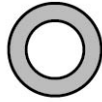
(G)-Bolt (8 x 35mm)  
x12



(H)- Bolt (8 x 25mm)  
x8



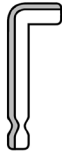
(I)- Bolt (8 x 50mm)  
x5



(J)- Plain Washer  
(8x20mm)  
x20



(K)- Lock Washer  
(8x15mm)  
x20



(L)- Allen Key  
x1

**YS**

Yellow sticker

**WS**

White sticker

## assembly instructions

Friendly Tip: Take a deep breath going in. This may be a tricky part, but nothing too overwhelming. Just follow these steps to the T and the outcome will be worth it!

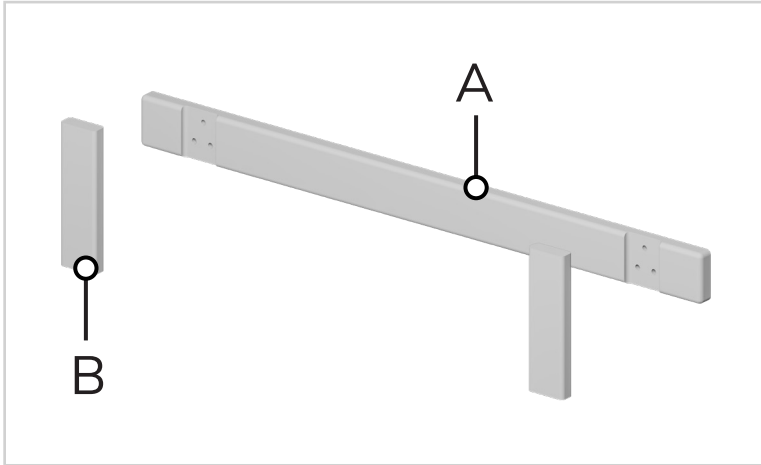


- ⓘ While assembling the product, tighten the bolts up to 50%. Once all parts are in place, only then fully tighten the bolts.



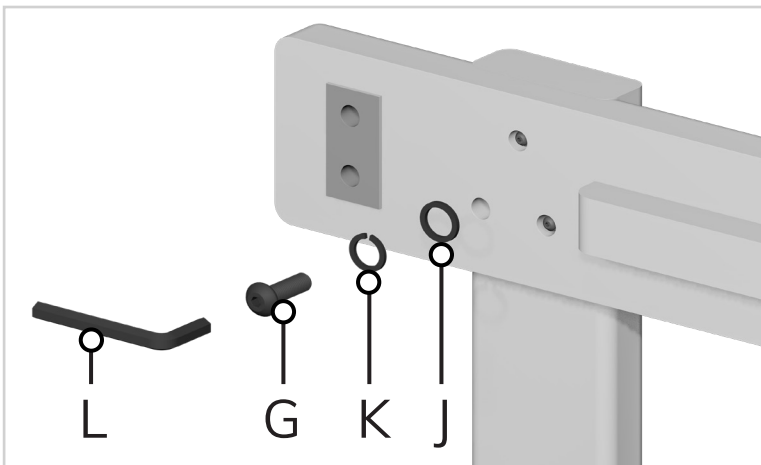
## step 1:

First, align the headboard (A) to the leg (B) so that the matching stickers fall adjacent to each other. See this image for the reference.



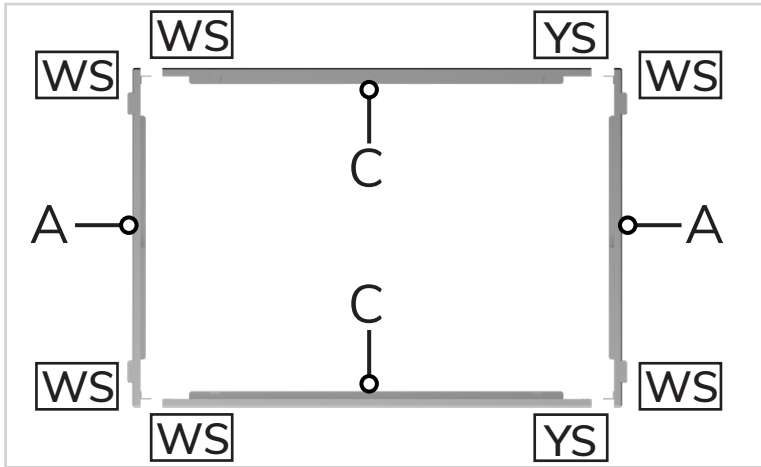
## step 2:

Then, to attach headboard (A) to the leg (B), insert washer (J), lock washer (K), and bolt (G) as shown in this image. The order from bottom to top is J, K, G. Tighten all points using allen-key (L).



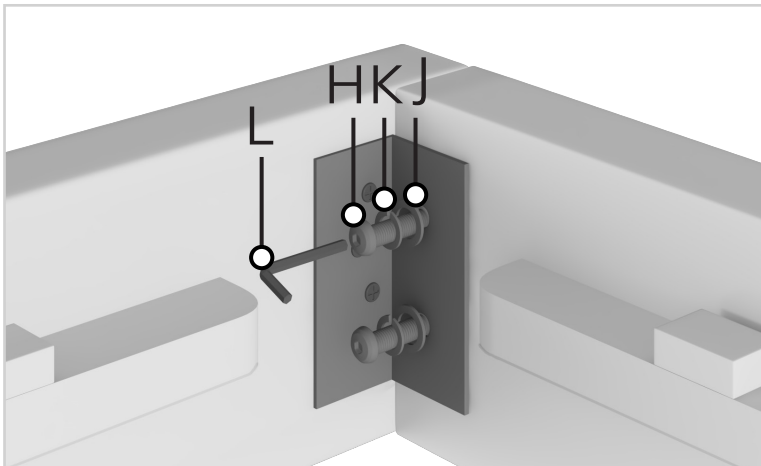
### step 3:

Align the headboard (A) and footboard (A) to two side rails (C) so that the matching stickers fall adjacent to each other. See the reference below.



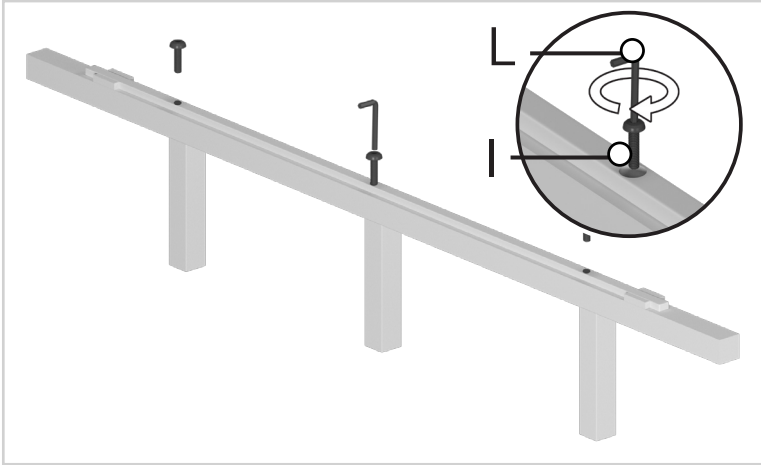
### step 4:

Then to attach headboard (A) and footboard (A) to the two side rails (C), insert washer (J), lock washer (K) and bolt (H) as shown in this image. The order from bottom to top is J, K, H. Tighten all point using allen-key (L).



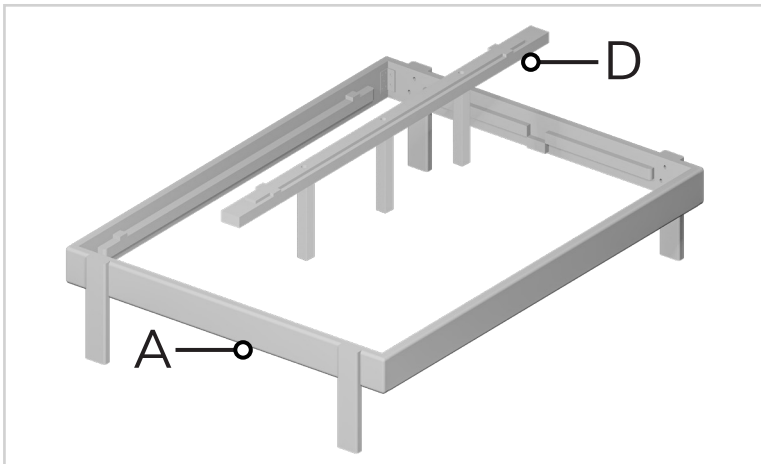
## step 5:

Then align the three mid-legs (E) with the pre-drilled slots on mid rail (D) taking this image as reference. Insert bolt (I) and tighten it with the help of allen key (L).



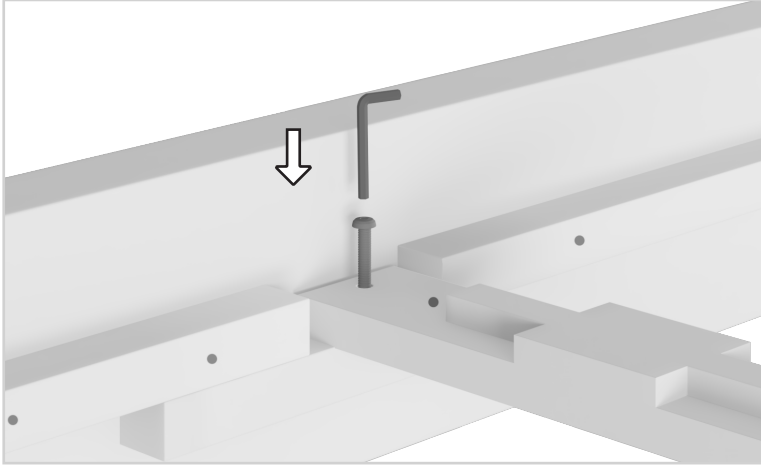
## step 6:

Now, place the mid-rail (D) in center (parallel to the side-rails) so that the coloured on it are aligned with their respective counter parts on the headboard (A) and footboard(A).



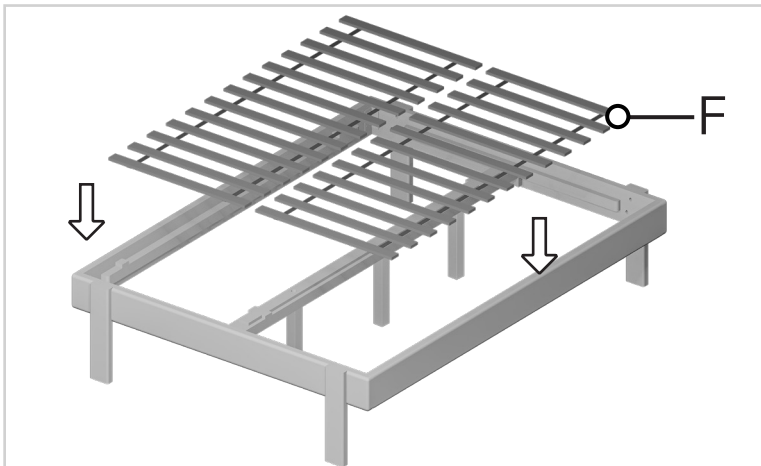
## step 7:

Now, to attach the mid-legs to the mid-rail, place the bolt (I) into the pre-drilled slots and fix the mid-legs in place with the help of allen key (L).



## step 8:

Simple enough? Next, place all the slats (F) parallel to each other as shown in this image. Make sure the slates are well fixed in place.



step 9:

If required, adjust the levellers according to the floor as shown in the image.

