

**INSTRUCTION MANUAL ENCLOSED**

**ATTENTION**

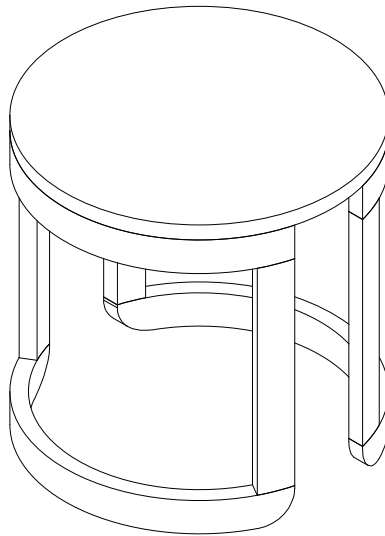
**IF YOU HAVE ANY PROBLEMS OR QUESTIONS, EMAIL OR CALL  
CUSTOMER SERVICE BEFORE YOU RETURN THIS PRODUCT TO THE  
STORE WHERE IT WAS PURCHASED.**

**\*\*When emailing Customer Service, please include your **Order Number** and **platform of purchase** in the email subject for quicker assistance.**

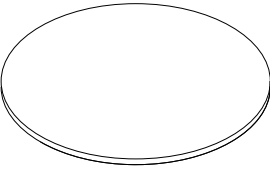
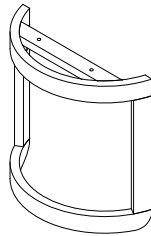
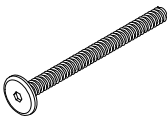

# INSTRUCTION MANUAL ENCLOSED

## OUTDOOR CORNER TABLE

### ASSEMBLY INSTRUCTION



Parts	PARTS LIST Description	Quantity
	PARTS	
A	Table Top	1
B	Leg Frame	2
	HARDWARE	
C	Bolt $\text{\O}1/4*1\ 1/2''$	4
D	Allen key	1
	SPARE PARTS	
C	Bolt $\text{\O}1/4*1\ 1/2''$	1
	Leveler	1

<p>A</p>  <p>x1</p>	<p>B</p>  <p>x2</p>	<p>C</p>  <p>x4    Ø1/4*1 1/2"</p>
<p>D</p>  <p>x1</p>		

**PLEASE READ AND FOLLOW ALL SAFETY TIPS**

**GETTING STARTED**

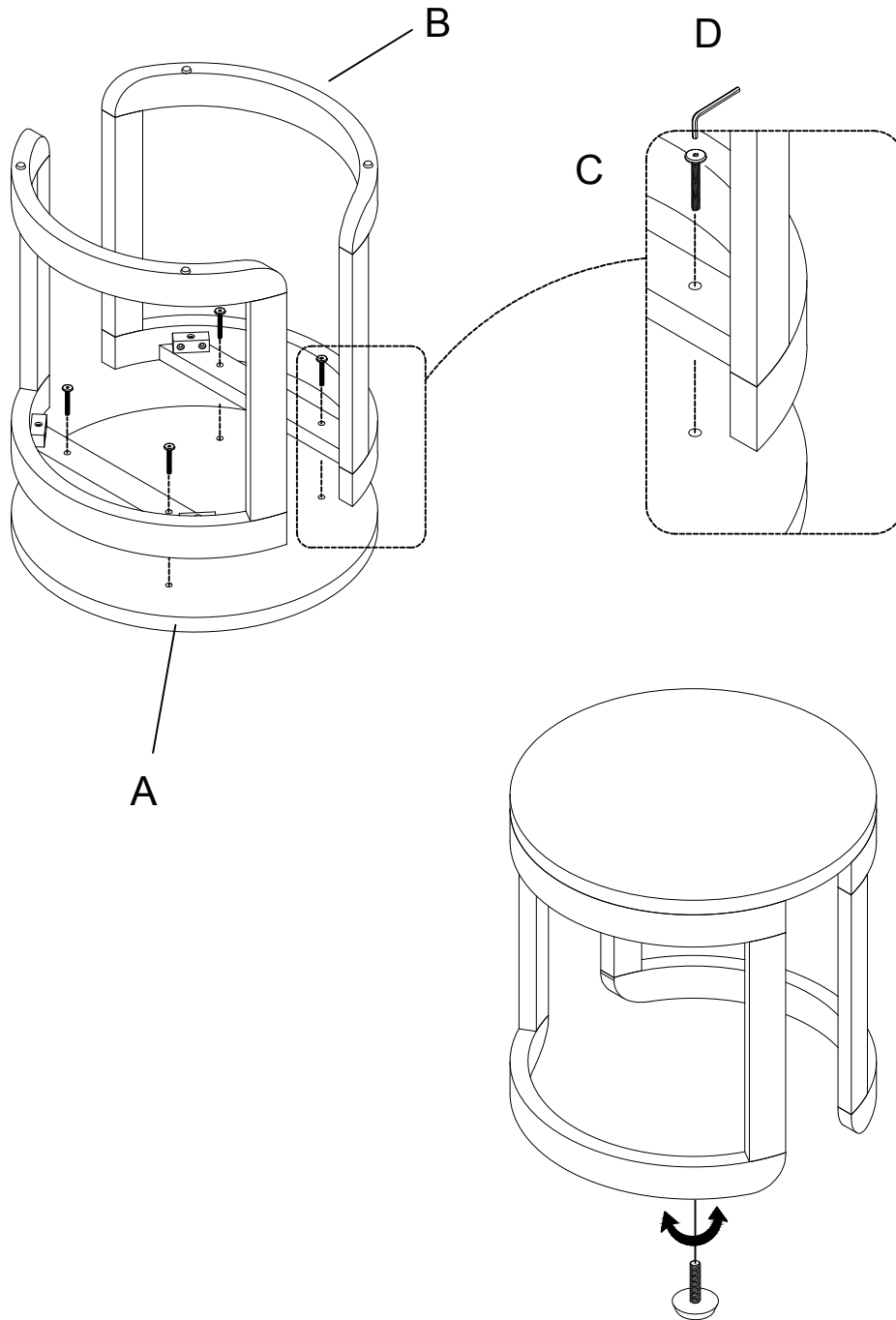
1. Before assembly, CAREFULLY use scissors or utility knife to cut and unwrap all parts. Make sure you do not discard the hardware.
2. Make sure that you have all the parts listed. If you are missing any parts, please email to us. Please identify the parts you need and modelnumber. Make sure to include your name and address.
3. Please include your **Order Number** and **platform of purchase** in the email subject, and one of our customer service representative will get back to you.

**Warm Tips:**

1. The plastic covers on some metal parts are just for product protection. Please remove it before assembly.
2. Please follow the sequence of AI during assembly.
3. Do not tighten the screws until all of them are in right positions.

1

Position Table Top(A) with Leg Frame(B) by the pre-drilled threads. Use Allen key(D) to fasten bolt(C) .



Leveler can be adjustable

You have completed assembling the furniture - enjoy!