

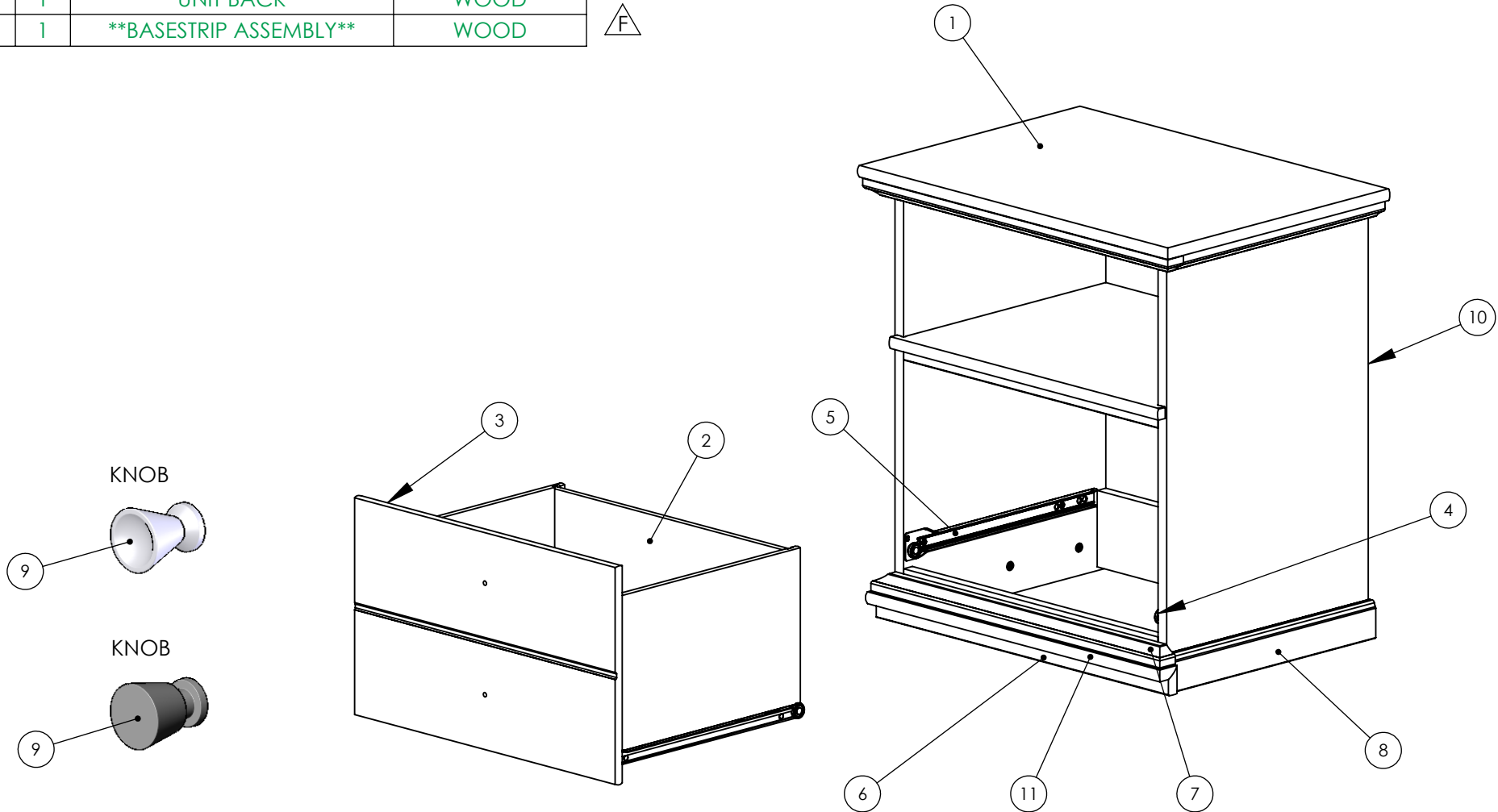
Item#	Qty	Description	MATERIAL
1	1	TOP ASSEMBLY	WOOD
2	1	DRAWER ASSEMBLY	WOOD, METAL
3	2	FELT PAD	FABRIC
4	1	RIGHT CABINET GLIDE	METAL, PLASTIC
5	1	LEFT CABINET GLIDE	METAL, PLASTIC
6	1	**MITERED BASESTRIP**	WOOD
7	1	**BOTTOM MOULDING**	WOOD
8	2	SIDE BASESTRIP	WOOD
9	2	KNOB	METAL
10	1	UNIT BACK	WOOD
11	1	**BASESTRIP ASSEMBLY**	WOOD

△ E

△ F

△ D

Scale: 1:12	TOLERANCES ARE: METRIC----- ±.3 / -.5mm DECIMAL----- 0 / -.005" FRACTIONAL----- +0/ -1/32" (UNLESS OTHERWISE SPECIFIED)
Desc: Nightstand	
Description	Cad/Eng
UPDATED PRINT	TH
CABINET GLIDE WAS DRAWER GLIDE	LB/TH
ADDED BASESTRIP ASSEMBLY AND NOTE	TH/DK



ITEM 6 (MITERED BASESTRIP)
REPLACED BY
ITEM 11 (BASESTRIP ASSEMBLY)

△ F

ITEM 7 (BOTTOM MOULDING)
REPLACED BY
ITEM 11 (BASESTRIP ASSEMBLY)