

Extra Long Tempered Glass Floating Wall Shelf

MOUNT-SF024

Assembly Manual



Better Products for a Better Workspace Experience

We are dedicated to creating high-end ergonomic solutions
for the office with top of the industry support.

Explore Endless Workspace Solutions

www.vivo-us.com



WARNING



If you do not understand these directions, or if you have any doubts about the safety of the installation, please contact our product support team at 309-278-5303 or help@vivo-us.com for further assistance. Check carefully to make sure there are no missing or defective parts. Failure to report missing parts within 30 days may result in denial of free replacement. Improper installation may cause damage or serious injury. Do not use this product for any purpose that is not explicitly specified in this manual. Do not exceed weight capacity. We cannot be liable for damage or injury caused by improper mounting, incorrect assembly or inappropriate use.



WARNING: CHOKING HAZARD

SMALL PARTS - NOT FOR CHILDREN UNDER 3 YEARS. ADULT SUPERVISION IS REQUIRED.



DO NOT EXCEED WEIGHT CAPACITY

FAILURE TO DO SO MAY RESULT IN SERIOUS INJURY.



WARNING: DO NOT INSTALL INTO DRYWALL ALONE

VERIFY YOUR WALL CONSTRUCTION. USE WOOD STUDS TO MOUNT. We include mounting for brick and concrete walls. If unsure, please contact us at vivo-us.com, email at help@vivo-us.com, or call us at 309-278-5303.

Need Help? We're Here For You

US-Based Customer Support from Trained Professionals

Monday-Friday from 7am-7pm CST

Saturday 8am-4pm CST



Email Us

help@vivo-us.com



Chat with Live Agent

www.vivo-us.com



Give Us a Call

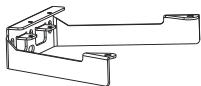
309-278-5303 ext. 1



Assembly Video & Product Info

www.vivo-us.com/products/mount-sf011

Package Contents



A (x1)
Shelf Bracket



B (x1)
Shelf



C (x2)
Shelf Clip



D (x2)
Suction Cup

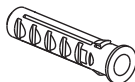
Included Hardware & Tools



S-A (x2)
M5x8mm
Screw



W-A (x3)
ST6.3x55mm
Screw



W-B (x3)
Concrete Anchor



W-C (x3)
M6 Washer



W-D (x2)
ST3.5x50mm
Screw



W-E (x2)
Drywall Anchor

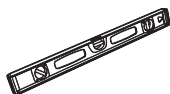


W-F (x2)
M5 Washer

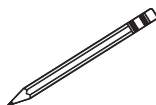
Tools Needed:



**Phillips
Screwdriver**



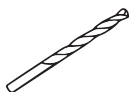
Level



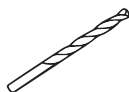
Pencil



Drill



**5/32" (4mm)
Drill Bit**



**3/8" (10mm)
Drill Bit**



Stud Finder

Weight Capacity:



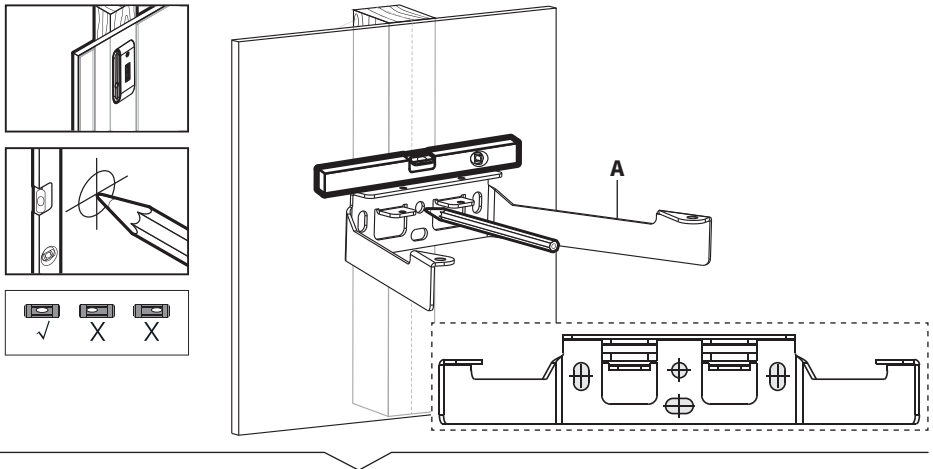
**22lbs
(10kg)**

Assembly Steps

STEP 1

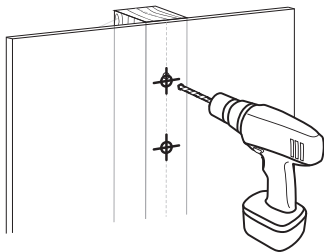
Option 1: Wood Stud Installation

Use Wall Bracket (A) to mark drilling locations in all four holes using a pencil. Use of a stud finder and level is recommended.

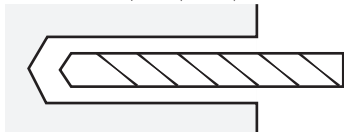


Pre-Drilling Instructions

Drill the two **center** mounting holes into the stud using the illustration shown.

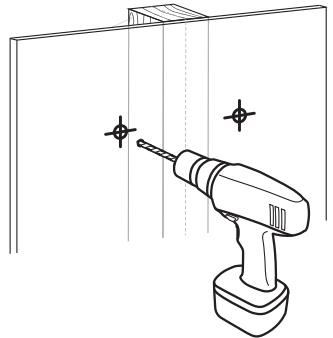


Drill Bit: 5/32" (4mm)

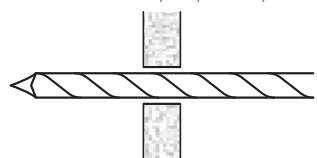


Hole Depth:
2" (50mm)

Drill the two **side** mounting holes through the drywall using the illustration shown.



Drill Bit: 3/8" (10mm)



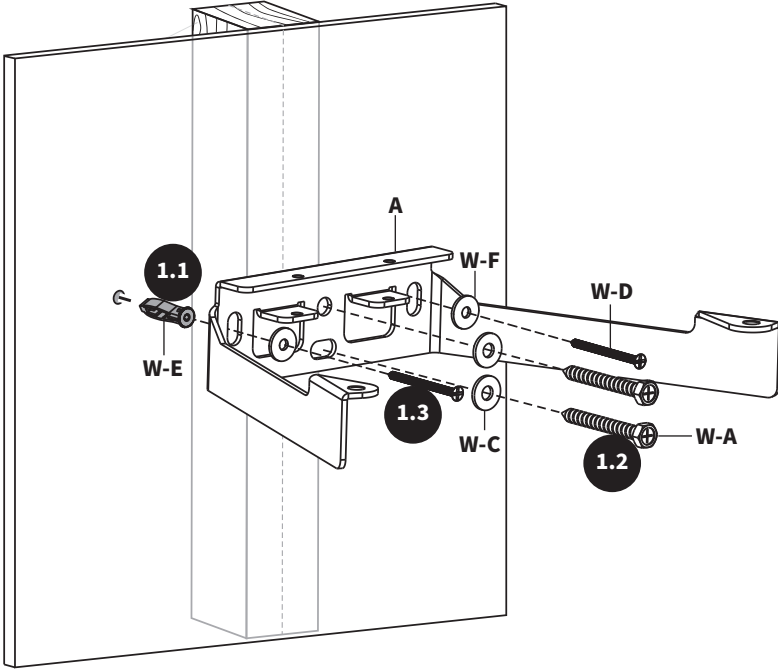
**Drill through the drywall*

Option 1 - Cont'd

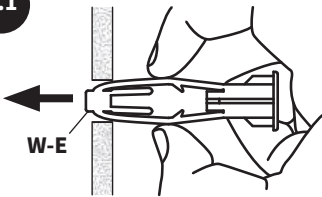
1.1 Insert Drywall Anchors (**W-E**) into the two side drywall holes.

1.2 Using the center two holes, attach Wall Bracket (**A**) to the wall into the stud using ST6.3x55mm Screws (**W-A**), M6 Washers (**W-C**) and a Drill or Phillips screwdriver.

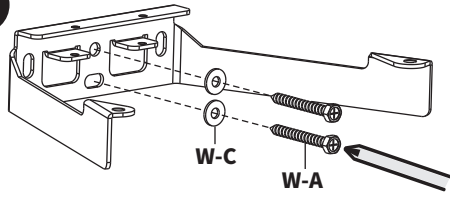
1.3 Using the side two holes, secure Wall Bracket to the drywall using ST3.5x50mm Screws (**W-D**), M5 Washers (**W-F**) and a Drill or Phillips screwdriver.



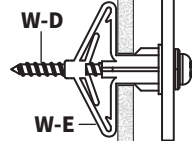
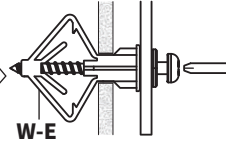
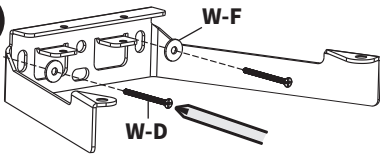
1.1



1.2



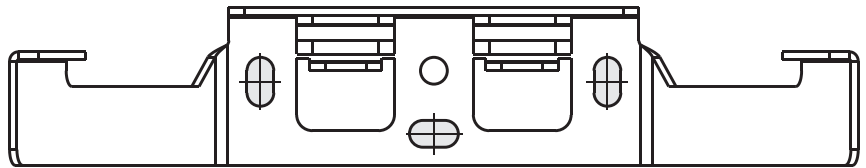
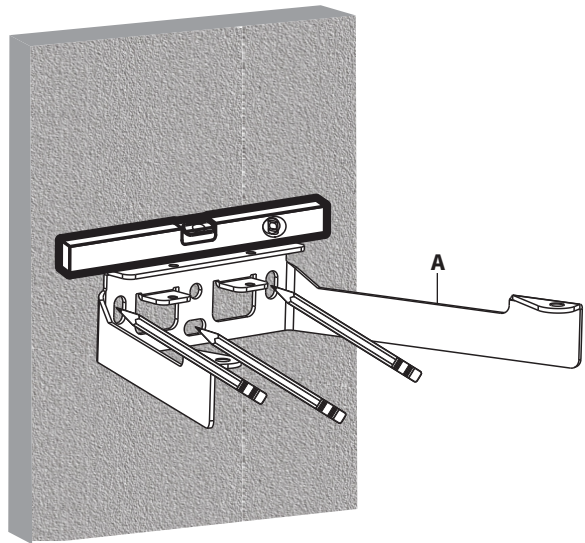
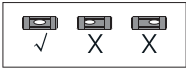
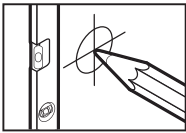
1.3



Proceed to STEP 2 on Page 8.

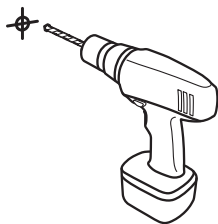
Option 2: Concrete Installation

Use Wall Bracket (A) to mark drilling locations in the three locations shown using a pencil. Use of a level is recommended.

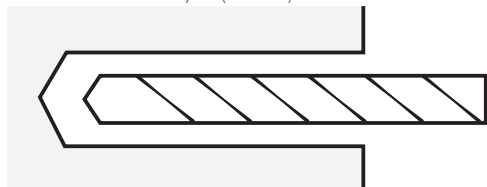


Pre-Drilling Instructions

Drill mounting holes using illustration shown



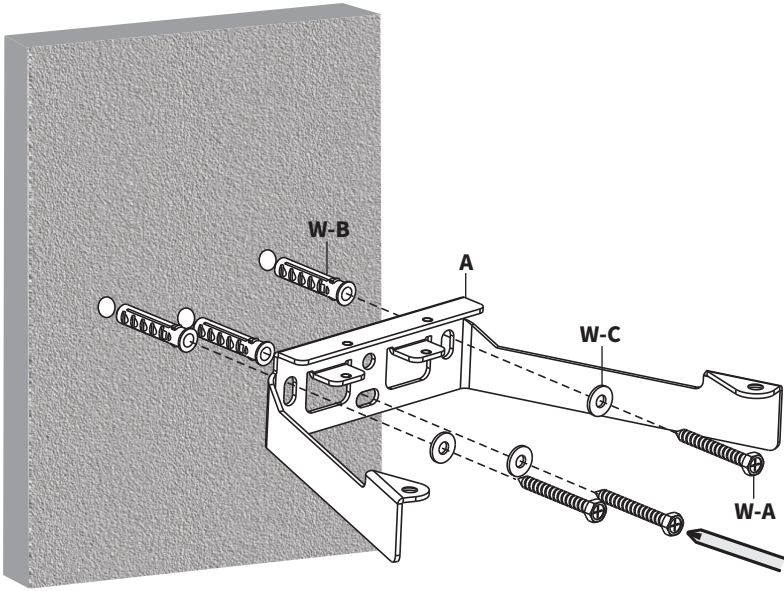
Drill Bit: 3/8" (10mm)



Hole Depth:
2.4" (60mm)

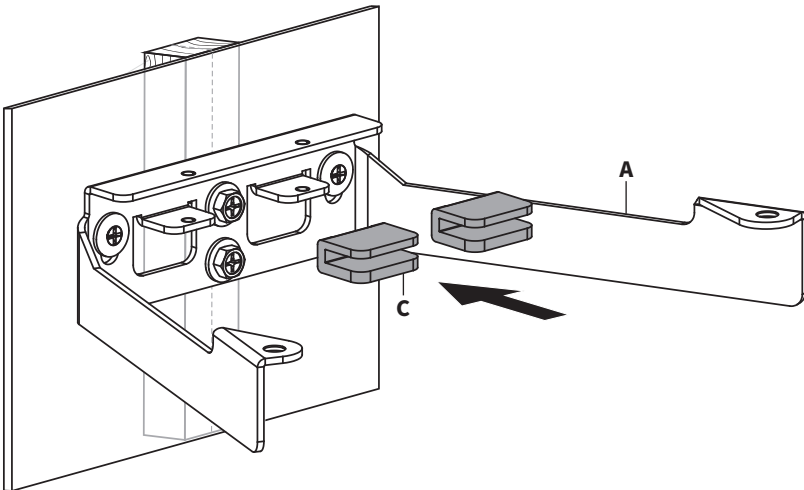
Option 2 - Cont'd

Press Concrete Anchors (**W-B**) into the drilled holes. Secure Wall Bracket (**A**) to the wall using ST6.3x55mm Screws (**W-A**), M6 Washers (**W-C**) and a Drill or Phillips screwdriver.



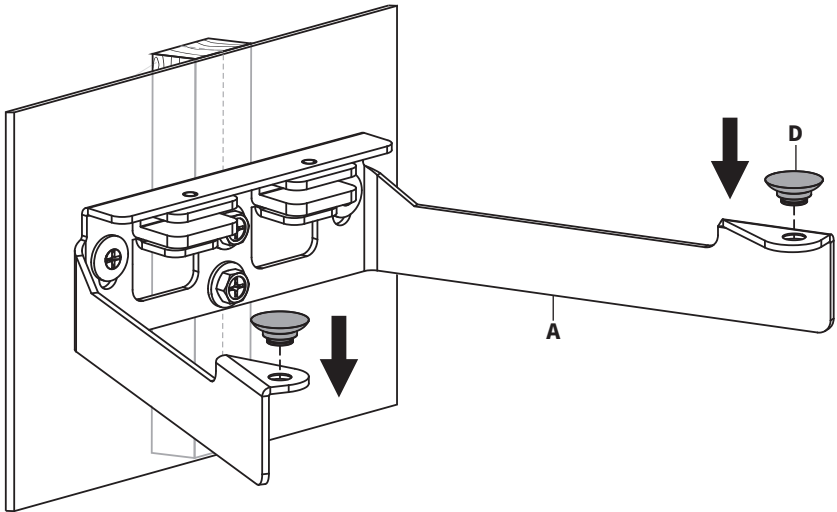
STEP 2

Insert Shelf Clips (**C**) onto the tabs on Wall Bracket (**A**).

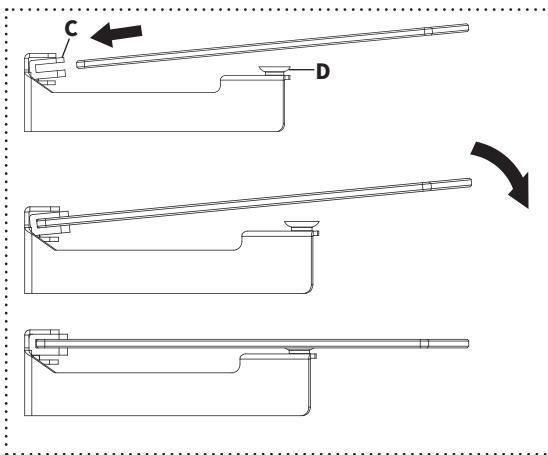
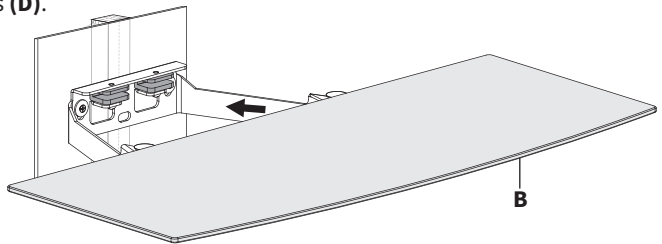


STEP 3

Press Suction Cups (**D**) into the Wall Bracket (**A**) as shown.



Insert Shelf (**B**) fully into the Shelf Clips (**C**), then press the Shelf into the Suction Cups (**D**).

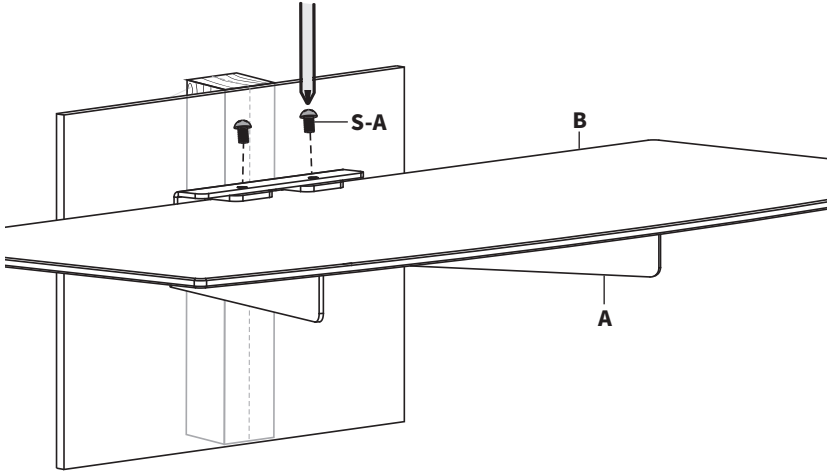


STEP 4

Option 1: Screws on Top

Note: Screw orientation is for appearance only

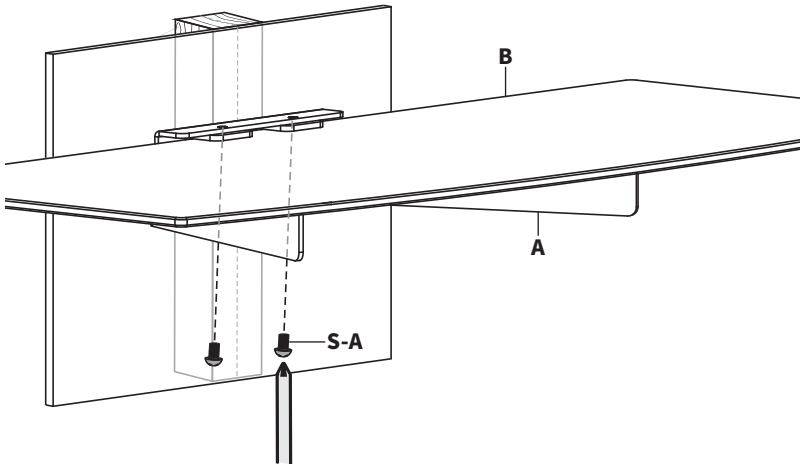
Secure Shelf (**B**) to the Wall Bracket (**A**) using M5x8mm Screws (**S-A**) into the top of Wall Bracket. Tighten using a Phillips screwdriver.



Option 2: Screws on the Bottom

Note: Screw orientation is for appearance only

Secure Shelf (**B**) to the Wall Bracket (**A**) using M5x8mm Screws (**S-A**) into the bottom of Wall Bracket. Tighten using a Phillips screwdriver.



V·I·V·



Love Your New Setup?
Tag Us on Social!



@VIVO-us



@vivo_us



@VIVOus



VIVO



Need Help? **We're Here For You**

Monday-Friday from 7am-7pm CST

Saturday 8am-4pm CST



Email Us
help@vivo-us.com



Chat with Live Agent
www.vivo-us.com



Give Us a Call
309-278-5303 ext. 1



VIVO-us



@vivo_us



@VIVOus



VIVO