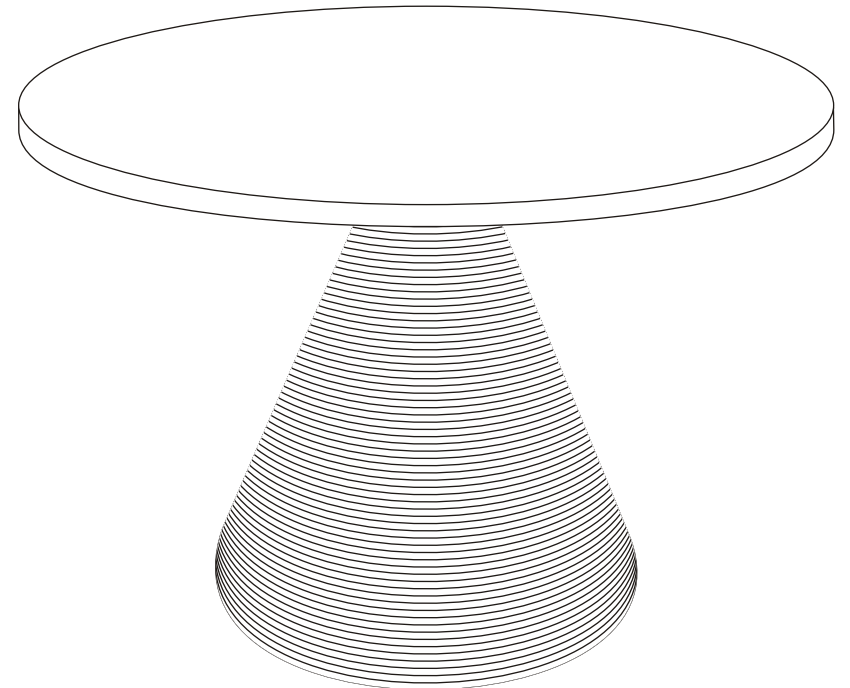


CARE & MAINTENANCE

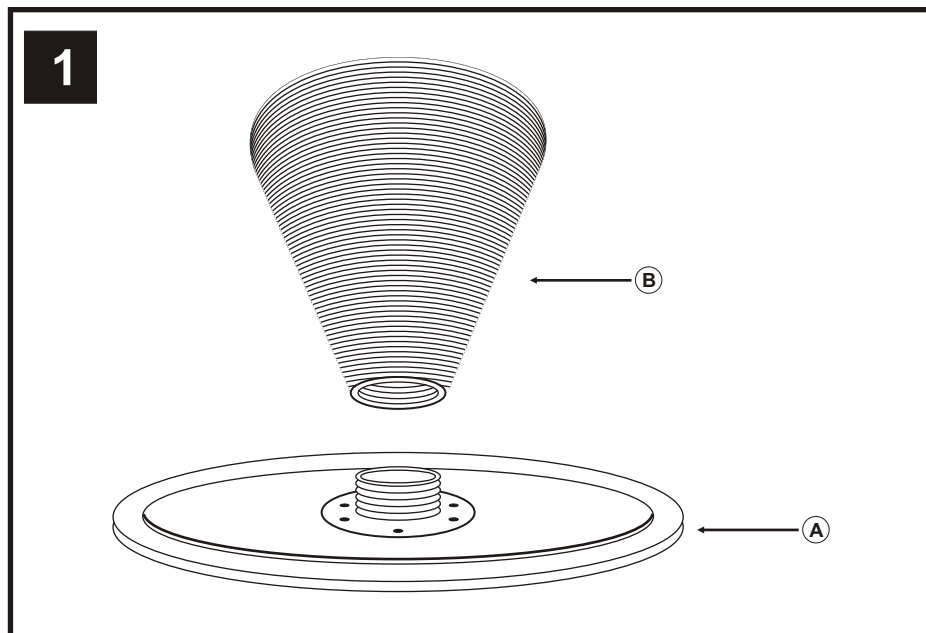
1. Protect against moisture.
2. Wipe with a clean, lint free cloth.
3. Do not use ammoniated detergents, metal or furniture polish or other abrasive cleaning agents.
4. Avoid spills, wipe up immediately with a dry, clean, lint free cloth.
5. Do not expose to harsh or direct sunlight.
6. Please make sure that you have all parts indicated before you begin assembly of this item.
7. This item should be assembled on a soft surface to prevent scratching the finish during assembly.
8. This item may require periodic tightening.

ASSEMBLY INSTRUCTIONS

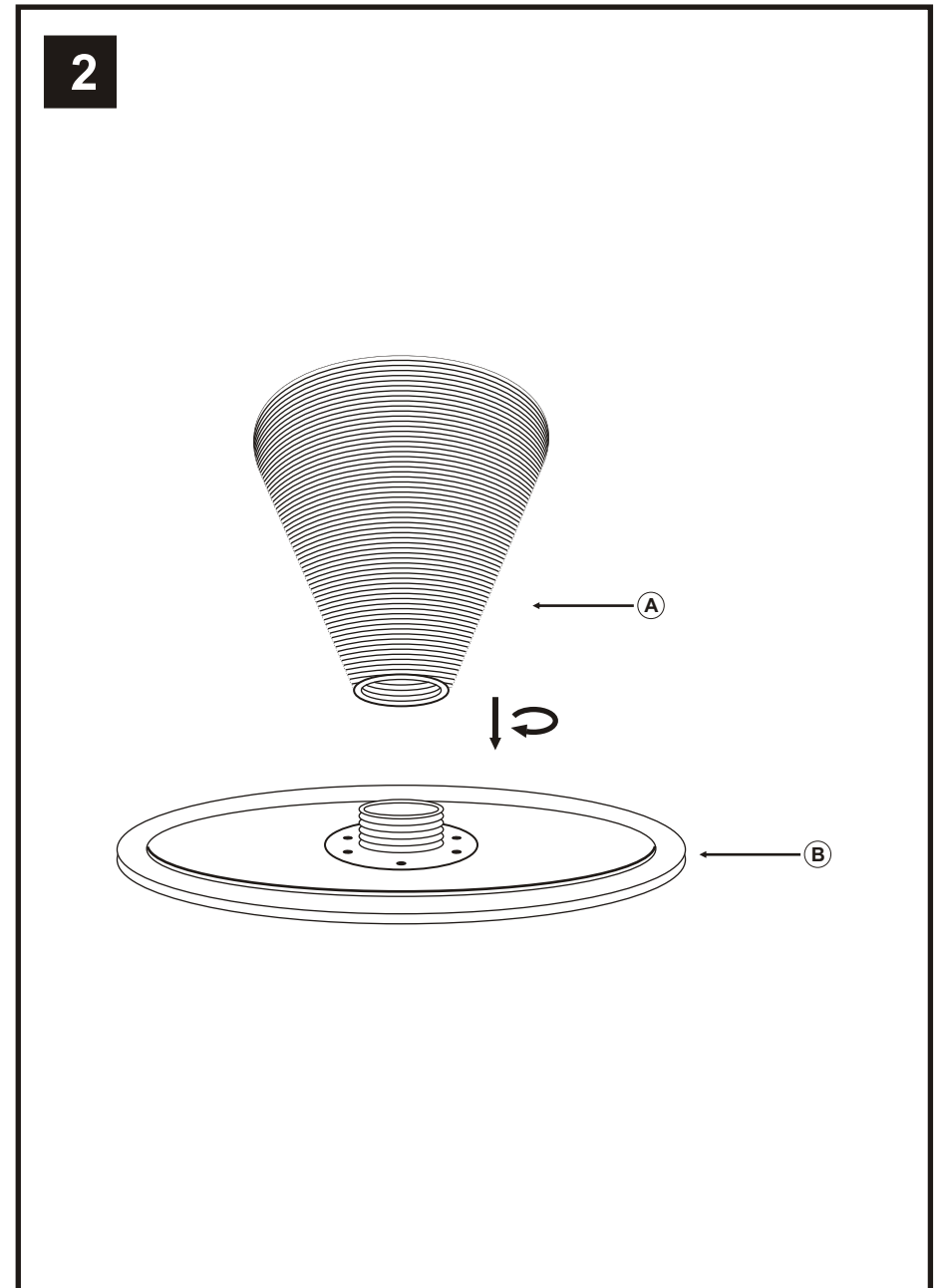


Part List and Hardware List

DESCRIPTION	PICTURE	QUANTITY
A	MARBLE TOP	1
B	METAL BASE	1



STEP -1: PUT METAL BASE (B) ON MARBLE TOP (A)
(Page 2 of 4)



STEP -2: (A) METAL BASE TO BE ROTATE CLOCK WISE ON MARBLE TOP (B)