

# ASSEMBLY INSTRUCTIONS

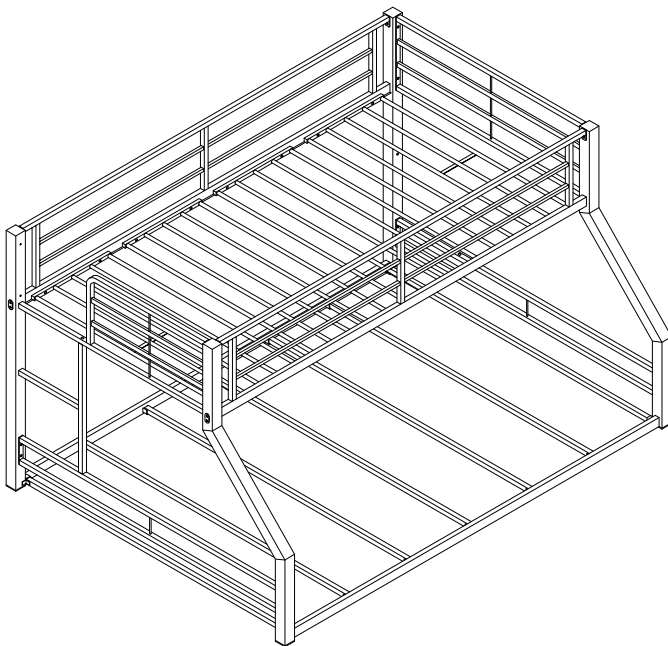
---

## TOOLS REQUIRED



Allen Wrench

(Included)



3 - People  
Recommended

## ASSEMBLY RATING



EASY —————> DIFFICULT

The Assembly Rating is a 5-point system showing the level of effort needed to assemble a specific product.

Thank you for your purchase!

We hope you enjoy this new addition to your home for many years to come.



## CHECK BEFORE STARTING

### Are you missing anything?

Double-check all parts, hardware and accessories listed on Page 6 are accounted for.

### Check out our Quick Tips!

We recommend reviewing the pre-assembly handouts. Even experts need a refresher now and then!

### Should we send any replacements?

Are there any irregularities or flaws in the parts? We can send replacements!

### Prep Time!

Please review the assembly instructions and all diagrams prior to assembling. Arrange parts as recommended on Page 7 and group identical hardware together to make assembling easier.

# PRE ASSEMBLY INTRODUCTION

We understand building ready-to-assemble furniture can be a challenging experience for some. To help avoid confusion, we have provided some helpful tips that may speed up the process.



## Teamwork

ALWAYS have at least two people to help with transporting and assembling the product to avoid potential injury and/or damage.



## Suitable Location

Assembling near the area of the intended location is highly recommended.



## Sufficient Space

Make sure you have enough space to move around during the assembly.



## Avoid Scratches

Use cardboard, blankets or a carpeted area while assembling furniture to prevent scratches.



## Flat Surface

Make sure the furniture rests on a flat and level surface with each leg evenly touching the floor.

# ASSEMBLY AND CARE ADVICE



**FAILURE TO FOLLOW THE GUIDELINES BELOW MAY RESULT IN INJURY AND/OR PROPERTY DAMAGE.**



Position each part correctly and insert screws or bolts into their respective holes.



Turn clockwise to tighten and only tighten when step is completed or when instructed to do so.



Use the appropriate hand tools or power tools for assembly. Select steps, such as tightening screws and/or bolts, may require hand tools to avoid causing damage during assembly.



Save the instructions and store any supplied tools for later maintenance.



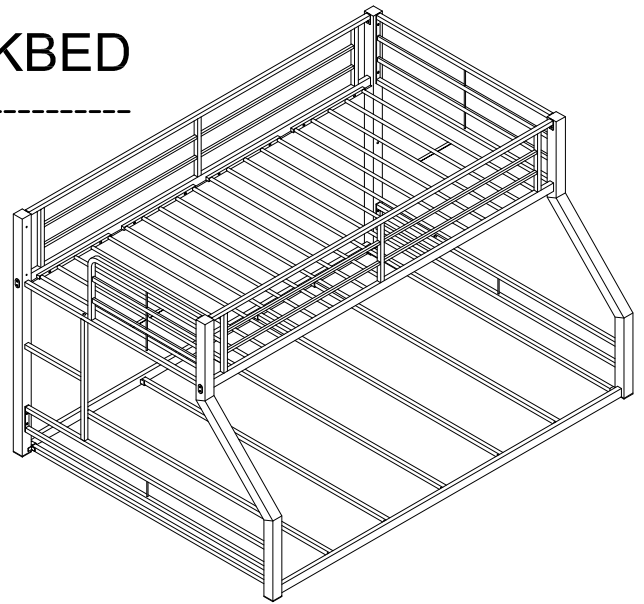
After two weeks, check and tighten any loose hardware and repeat again every six months thereafter.

**IT IS THE USER'S RESPONSIBILITY TO MAINTAIN THE FURNITURE. THE HARDWARE MAY LOOSEN OVER TIME AND MAY CAUSE THE FURNITURE TO BE WOBBLY AND UNABLE TO SUPPORT ITS INTENDED WEIGHT CAPACITY. THIS MAY LEAD TO COLLAPSE AND MAY CAUSE SERIOUS INJURY.**

# METAL TWIN/FULL SIZE BUNKBED

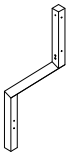


- Please keep instructions for future reference.
- Check the quantity and irregularity of parts and hardware before you start.



## PARTS

#1 1pc



Riser Tube #1

#2 1pc



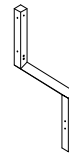
Riser Tube #2

#3 1pc



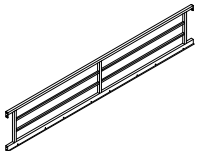
Riser Tube #3

#4 1pc



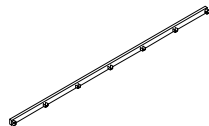
Riser Tube #4

#5 2pcs



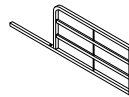
Guardrail

#6 2pcs



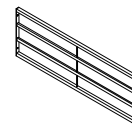
Horizontal Tube

#7 1pc



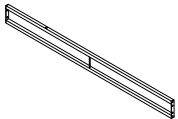
Left Guardrail

#8 1pc



Right Guardrail

#9 2pcs



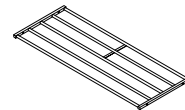
Frame

#10 1pc



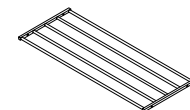
Ladder

#11 2pcs



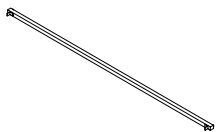
Side Bed Board

#12 2pcs



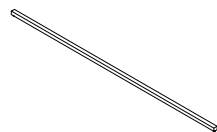
Middle Bed Board

#13 2pcs



Side Connection Tube

#14 5pcs



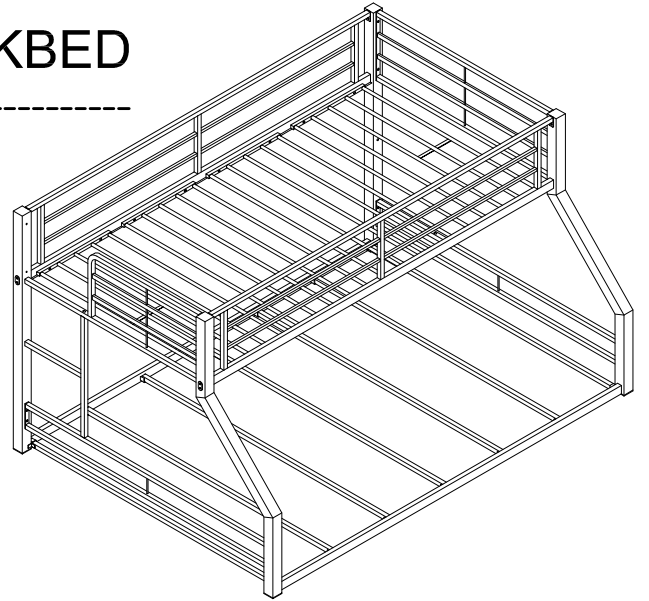
Middle Connection Tube

# METAL TWIN/FULL SIZE BUNKBED

---



- Please keep instructions for future reference.
- Check the quantity and irregularity of parts and hardware before you start.



## HARDWARE

#A 18pcs



Bolt 1/4" x 5/8"

#B 16pcs



Bolt 1/4" x 1"

#C 2pcs



Bolt 1/4" x 1-5/8"

#D 2pcs



Bolt 1/4" x 3"

#E 8pcs



Bolt 1/4" x 3"

#F 1pc



Allen Wrench M4

#G 6pcs

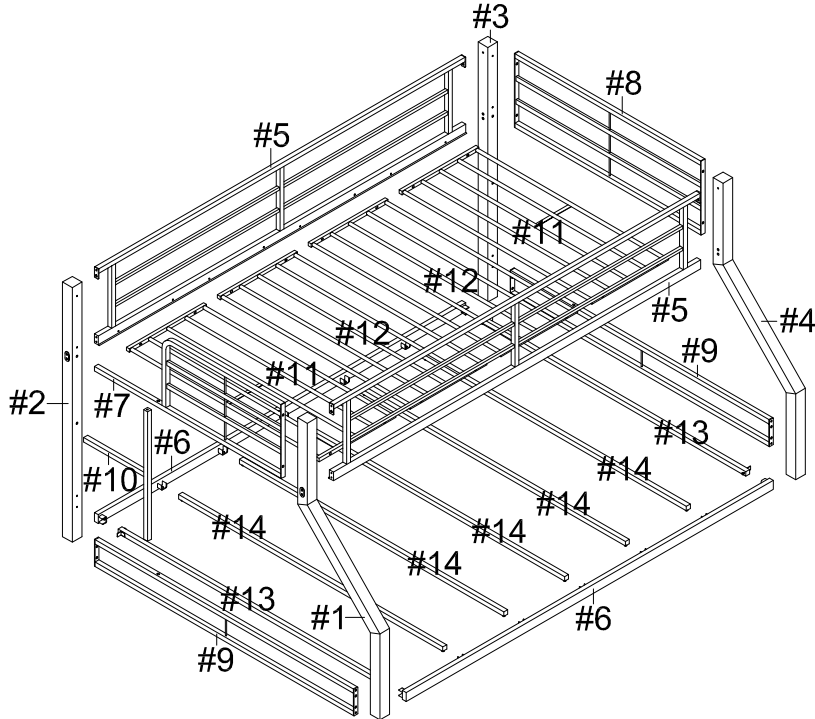


Cushion

# ASSEMBLY INSTRUCTIONS

1

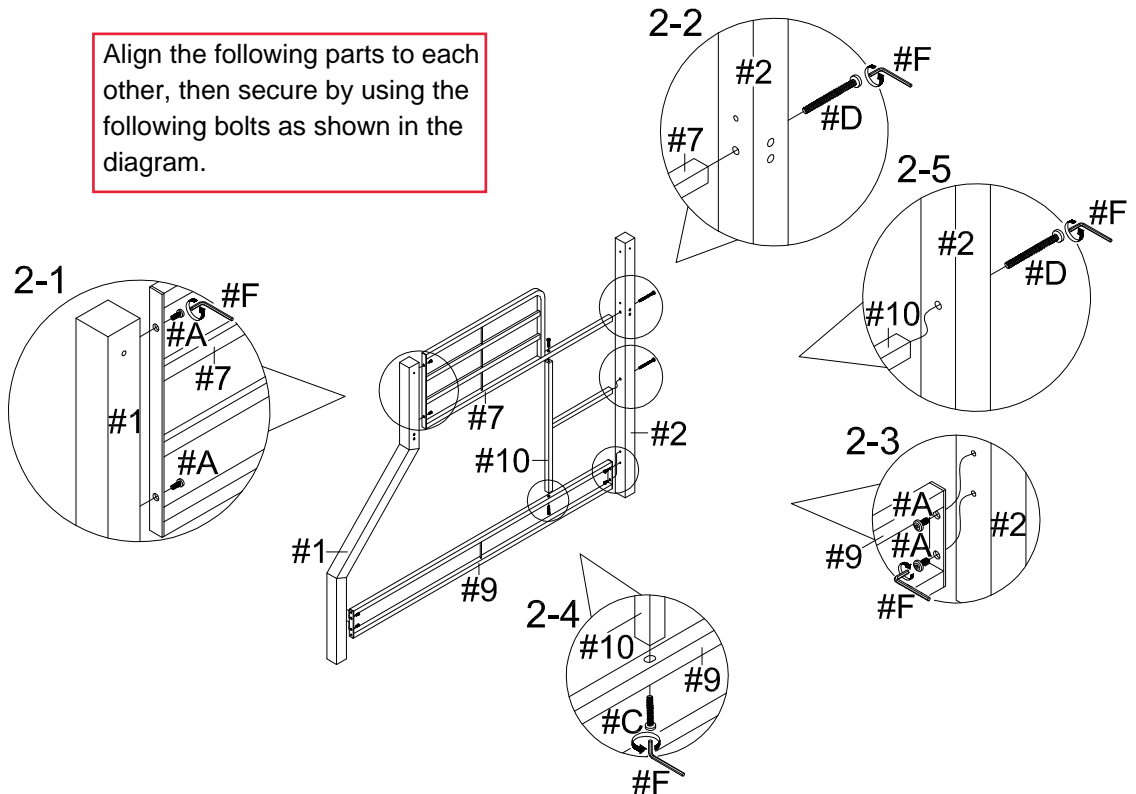
## Exploded View



2

- Part #1 x 1pc
- Part #2 x 1pc
- Part #7 x 1pc
- Part #9 x 1pc
- Part #10 x 1pc
- Hardware #A x 6pcs
- Hardware #C x 2pcs
- Hardware #D x 2pcs
- Hardware #F x 1pc

Align the following parts to each other, then secure by using the following bolts as shown in the diagram.



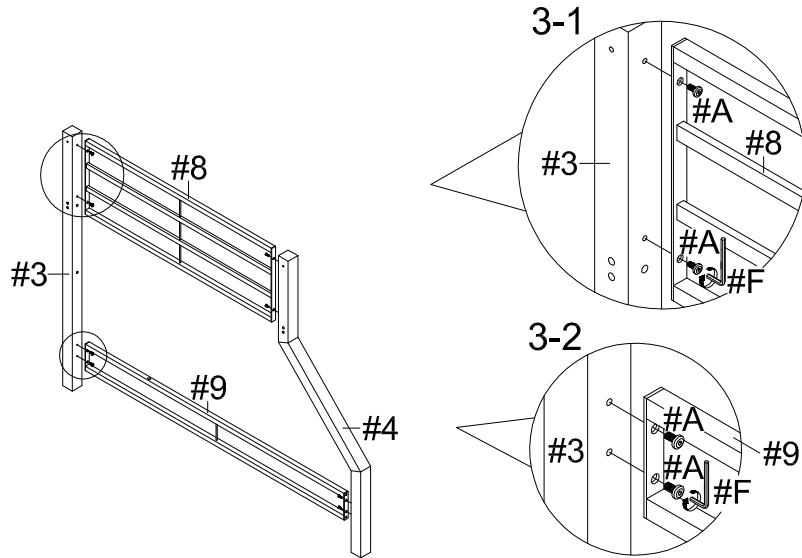
DO NOT TIGHTEN THE SCREWS UNTIL ASSEMBLING THE FINAL STEP.

# ASSEMBLY INSTRUCTIONS

## 3

- Part #3 x 1pc
- Part #4 x 1pc
- Part #8 x 1pc
- Part #9 x 1pc
- Hardware #A x 8pcs
- Hardware #F x 1pc

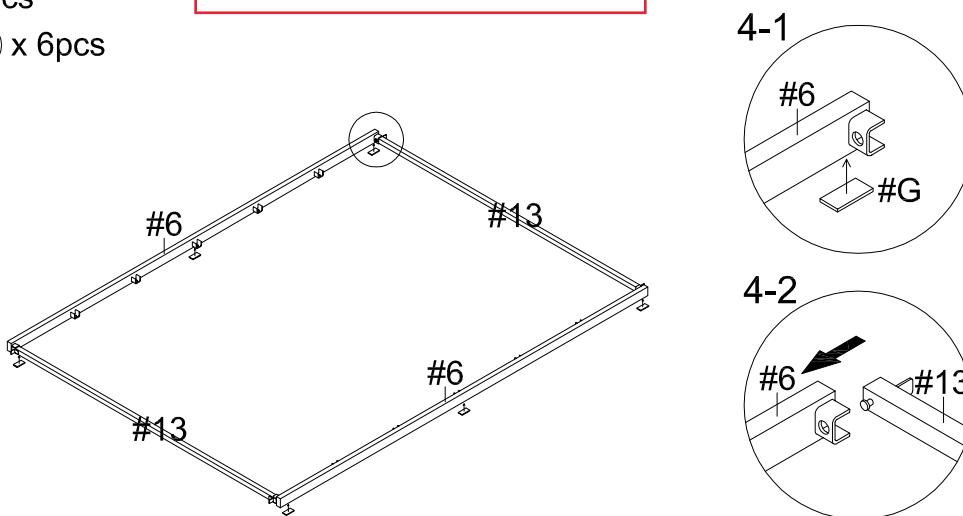
Align tubes (#3,4) to the guardrail (#8) and frame (9), then secure by using bolts (#A).



## 4

- Part #6 x 2pcs
- Part #13 x 2pcs
- Hardware #G x 6pcs

Attach cushions (#G) to the bottom ends of the tubes (#6), then align and attach tubes (#6) to the connection tubes (#13).

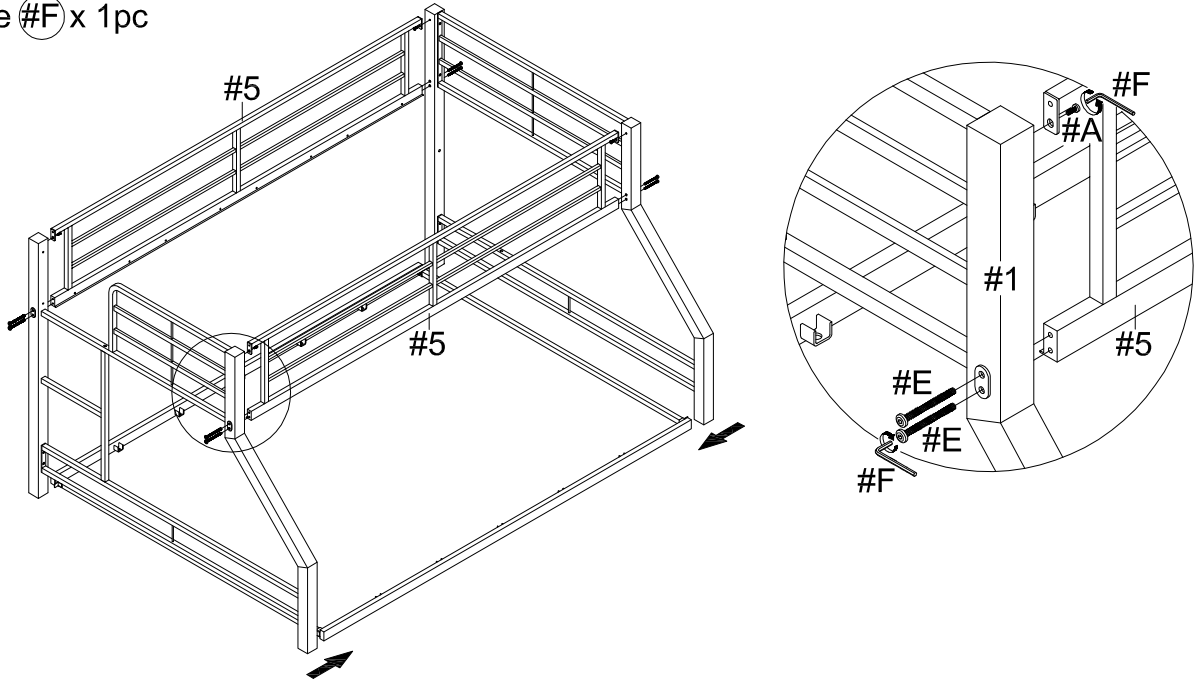


# ASSEMBLY INSTRUCTIONS

## 5

- Part #5 x 2pcs
- Hardware #A x 4pcs
- Hardware #E x 8pcs
- Hardware #F x 1pc

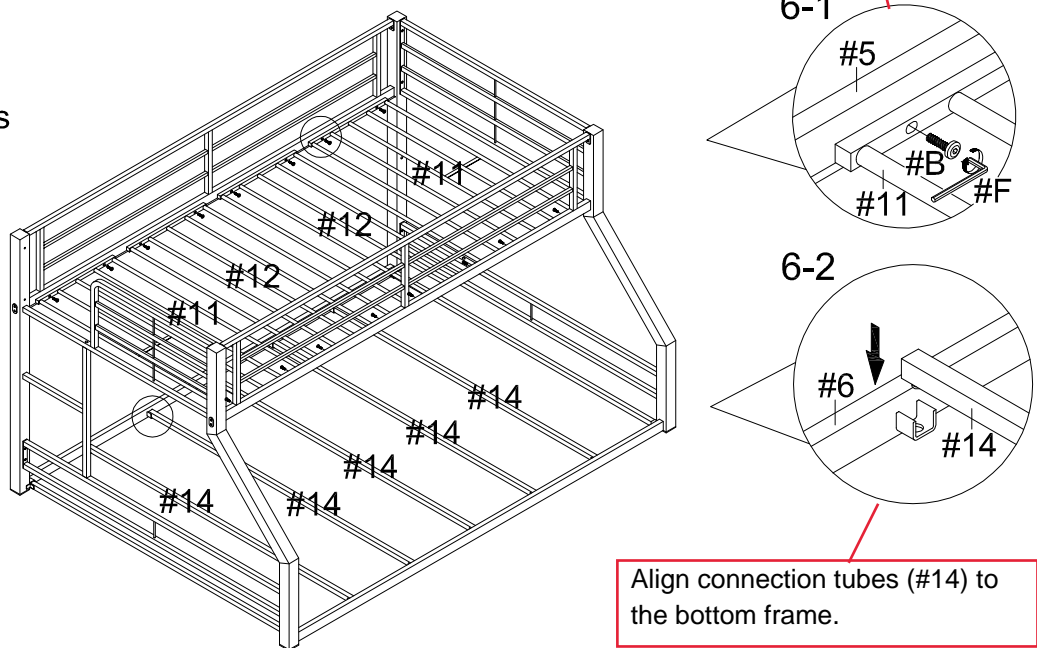
Align guardrails (#5) and bottom frame to the headboards, then secure by using the following bolts (#A,E).



## 6

- Part #11 x 2pcs
- Part #12 x 2pcs
- Part #14 x 5pcs
- Hardware #B x 16pcs
- Hardware #F x 1pc

Align bed boards (#11,12) to the top bunk, then secure by using bolts (#B).



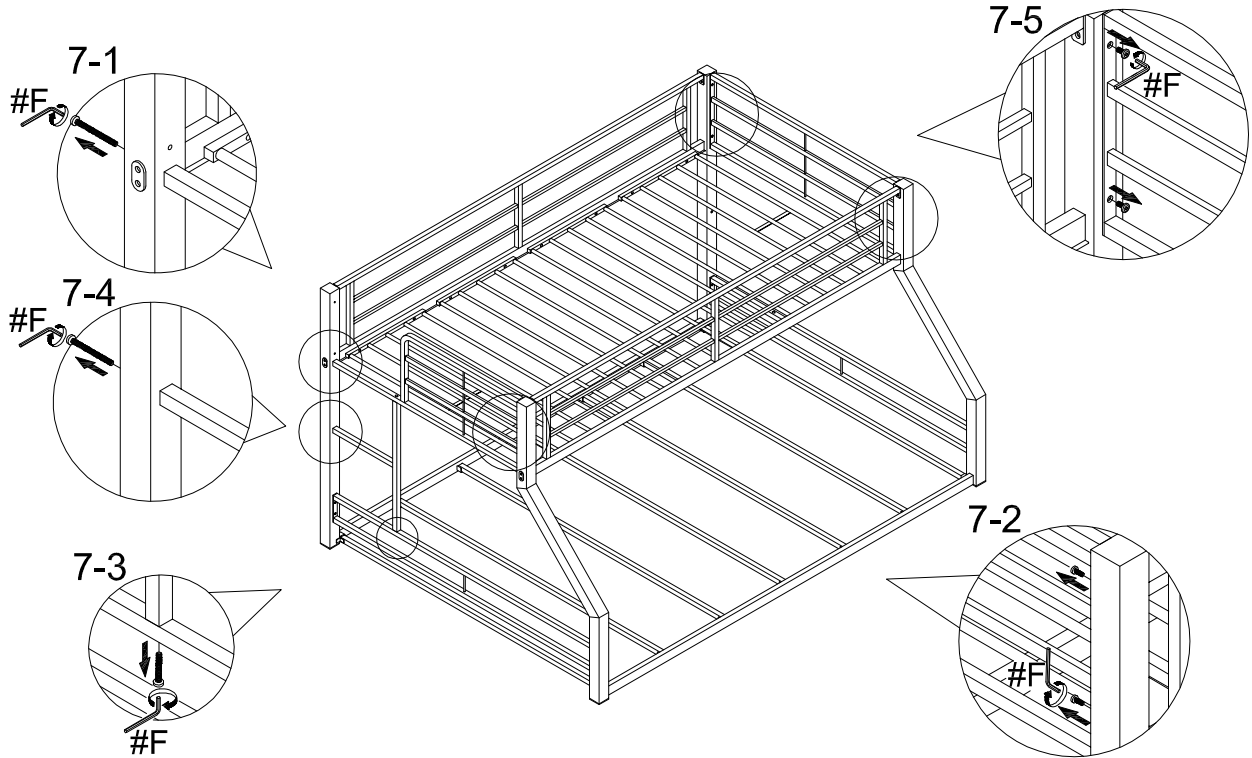
Align connection tubes (#14) to the bottom frame.

# ASSEMBLY INSTRUCTIONS

## 7

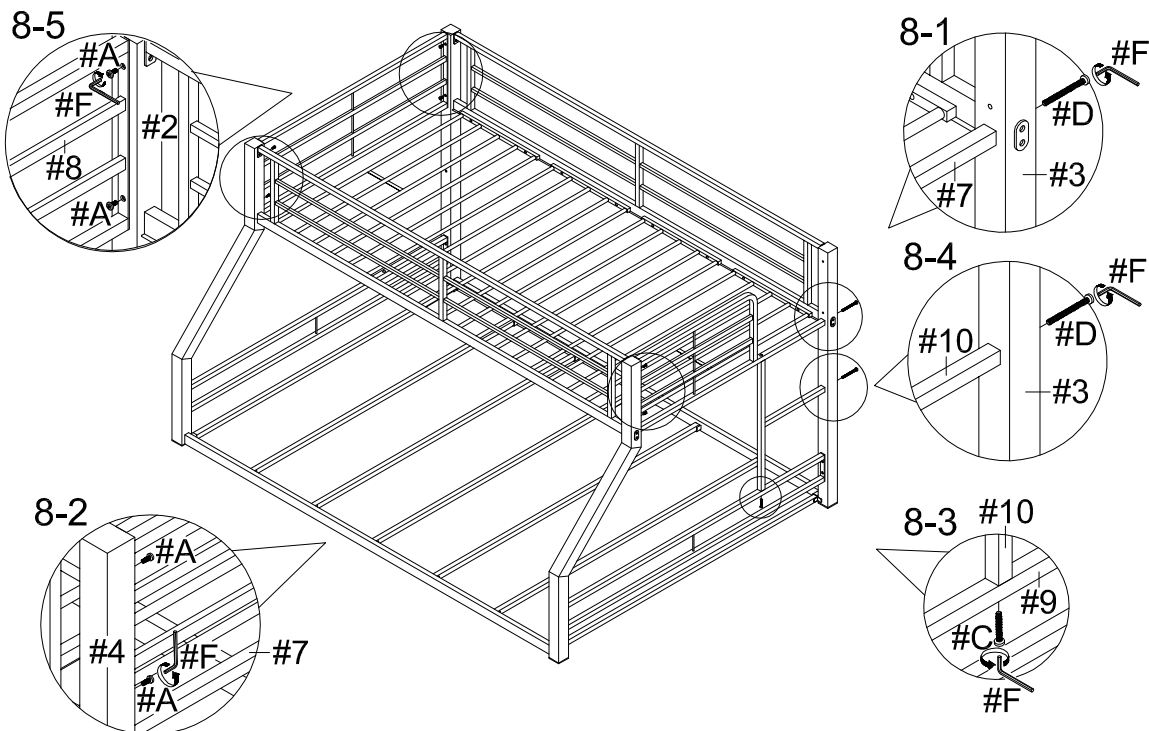
The bed ladder can be placed on the other side of the bunk bed by removing the headboard guardrails and ladder and reattaching to the other side.

Hardware #F x 1pc



## 8

Hardware #F x 1pc



### ASSEMBLY COMPLETED

Please ensure the furniture rests on an even and flat surface. If the product wobbles or feels loose, double-check all bolts and/or screws are properly tightened and secured.

- ✓ **Keep this handy!**  
Please retain this instruction manual and any order-related information for future reference.
- ✓ **Lift, don't drag!**  
To avoid damage to product please always LIFT the product when transporting or adjusting the placement.

## Safety Warnings

1. Follow the information on the warnings appearing on the upper bunk end structure and on the carton . Do not remove warning label from bed.
2. Always use the recommended size mattress or/and mattress support to help prevent the likelihood of entrapment or falls.
3. Surface of mattress must be at least 5 in. below the upper edge of guardrails .
4. Do not allow children less than 6 years of age to use the upper bunk.
5. Periodically check and ensure that the guardrail, ladder ,and other components are in their proper position ,free from damage ,and that all connectors are tight .
6. Prohibit horseplay on/or under the bed and prohibit jumping on the bed.
7. Always use the ladder for entering and leaving the upper bunk.
8. Do not use substitute parts ,Contact manufacturer or dealer for replacement parts.
9. Use of a night light may provide added safety precaution for a child using the upper bunk.
10. Always use guardrails on both long sides of the upper bunk.
11. If the bunk bed will be placed next to a wall, the guardrail that runs the full length of the bed should be placed against the wall to prevent entrapment between the bed and the wall.
12. The use of water or sleep flotation mattress is prohibited .
13. Keep these instructions for future reference.
14. Use only mattress which is 74 3/4"× 39"× 5" on upper bunk and for bottom bunk required 74 3/4"× 54"× 5"mattress.
15. Prohibit more than one person on upper bunk.

### STRANGULATION HAZARD:

16. Never attach or hang items to any part of the bunk bed that are not designed for use with the bed for example, but not limited to hooks, belts, and jump ropes.