

TEKSI 6 DRAWER SIDEBOARD

ASSEMBLY GUIDE



SCAN ME

www.furniturebox.co.uk

Scan QR code for more tips,
and advice or visit
furniturebox.co.uk/club/general-club-page

Important - Please read these instructions fully before starting assembly



SAFETY AND CARE ADVICE



NO POWER TOOLS

SAFETY AND CARE ADVICE

- Check you have all the components and tools listed.
- Remove all fittings from the plastic bags and separate them into their groups.
- We do not recommend the use of power drills/drivers for inserting screws, as this could damage the unit. Only use hand screwdrivers and Allen keys.
- Keep children and animals away from the work area, small parts could cause choking if swallowed.
- Make sure you have enough space to lay out the parts before starting.
- Assemble the item as close to its final position (in the same room) as possible.
- Do not overtighten the nuts to avoid causing damage to the threads.
- Only clean using a damp cloth and mild detergent, do not use bleach or abrasive cleaners.
- From time to time check that there are no loose screws on this unit
- This product should not be discarded with household waste. Take to your local authority waste disposal centre
- **Warning:** Unfixed furniture may tip over. We strongly advise you use the anti-tipping kit provided to secure your shelves to the wall. Please use appropriate fixings for your wall and get professional advice if unsure.



IMPORTANT INFORMATION



30 MINUTE
BUILD

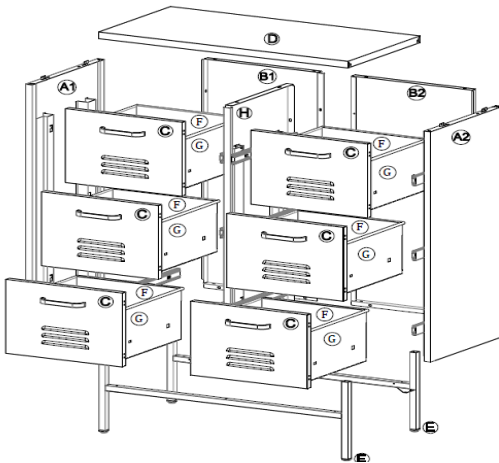


TWO
PERSON

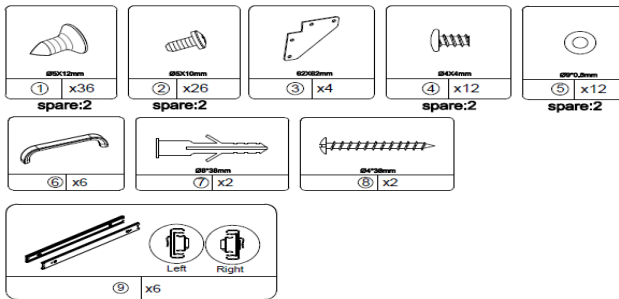


MAXIMUM
CAPACITY 80Kg

PLEASE CHECK CAREFULLY AND MAKE SURE YOU HAVE ALL FITTINGS AND TOOLS LISTED BELOW BEFORE YOU START.



No.	Size	Qty
A1	840x400x34mm	1
A2	840x400x34mm	1
B1	819x366x23mm	1
B2	819x388x23mm	1
C	270x375x20mm	6
D	800x401x25mm	1
E	798x320x20mm	2
F	189x353x15mm	6
G	360x327x190mm	6
H	840x356x22mm	1



1 x Screwdriver
(Not provided)

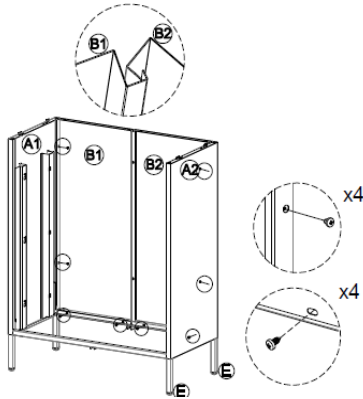
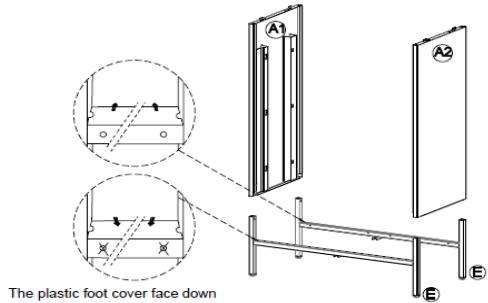
NOTE: The quantities above are the correct amount to complete the assembly. In some cases more fittings may be supplied than are required.

STEP 1

Use a clean, flat, soft surface to avoid any bumps or scratches.

Attach 2 x side panels [A1 + A2] to 2 x leg frames [E] by slotting [A1 + A2] onto [E] with the plastic feet on the bottom.

NOTE: Ensure the holes are nearest the outside as this will affect the door assembly.



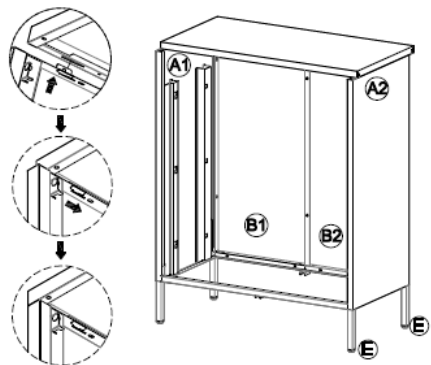
STEP 2

Attach 2 x back panels [B1 + B2] together and slot into 2 x side panels [A1 + A2] until they meet leg frame [E].

Secure using 8 x screw [1] and tighten with a screwdriver.

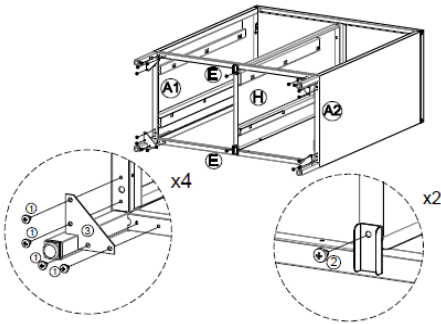
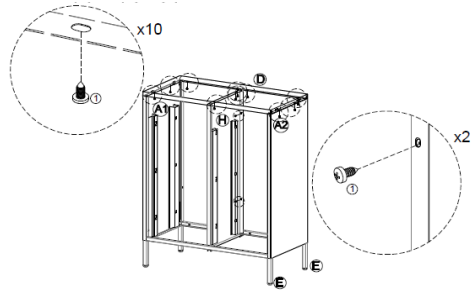
STEP 3

Attach 1 x top panel [D] to 2 x side panels [A1 + A2] by slotting into the pre-attached clips.



STEP 4

Attach 1 x centre panel [H] to 2 x back panels [B1 + B2] + top panel [D] using 12 x screw [1] and tighten with a screwdriver.



STEP 5

Attach side panels [A1 + A2] to 2 x leg frames [E] using 4 x corner brackets [3] + 4 x screws [1] to each bracket - 16 in total.

Attach centre panel [H] to leg frame [E] using 2 x pre-attached brackets + 2 x screw [2].

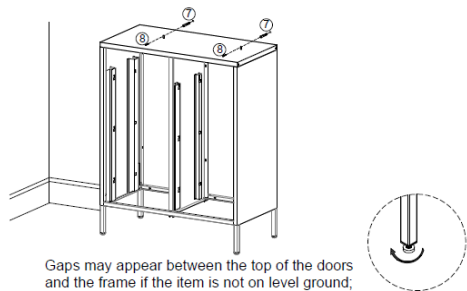
Tighten with a screwdriver.

STEP 6

Warning: Unfixed furniture may tip over. We strongly advise you use the anti-tipping kit provided to secure your shelves to the wall. Please use appropriate fixings for your wall and get professional advice if unsure.

Secure the cabinet to the wall using the pre-drilled gould holes plus 2 x rawl plugs [8] + 2 x screws [9].

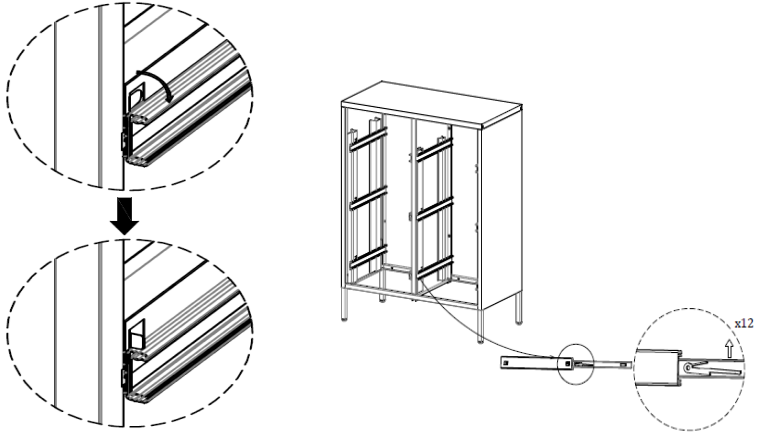
Check stability and adjust feet accordingly.



STEP 7

Align the 6 x drawer runners [9] on the pre-attached brackets on the inside of the unit.

Secure the runner in place by un-tucking the bracket.

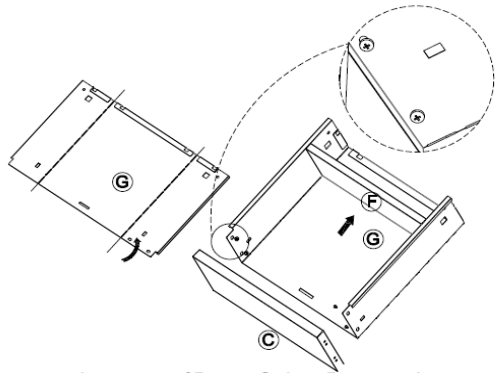


STEP 8

Carefully, fold the two sides of drawer base [G] and align drawer back [F] and drawer front [C].

Secure using 4 x screw [2] and tighten with a screwdriver.

Repeat this step for the remaining 5 drawers.
6 drawers in total, 24 screws [2] in total.

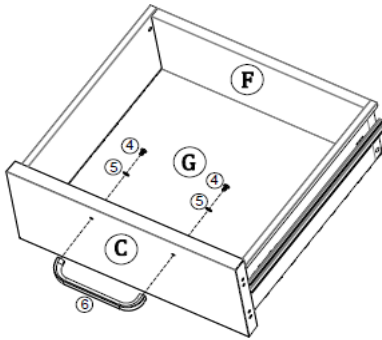
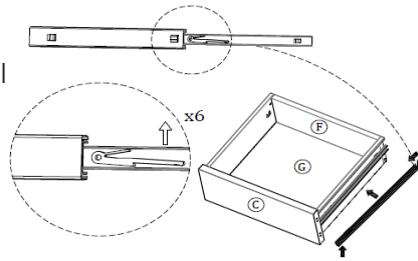


NOTE: Drawer edges may be sharp.
Please exercise caution when folding.

STEP 9

Slot 1 x inner drawer runner [9] onto the side of each drawer until the clip clicks into place.

Repeat for remaining 5 drawers.
6 drawers in total.



STEP 10

Attach 1 x drawer handle [6] to drawer front [C] using 2 x washer [5] + 2 x screw [4] through the pre-drilled holes. Tighten with a screwdriver.

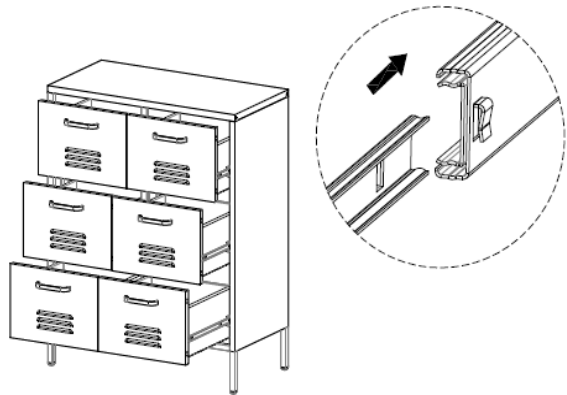
Repeat for all 6 drawers.

STEP 11

Slot the 6 x drawers into the pre-attached drawer runners on the unit frame.

Slide the drawer into the unit until the drawer runners click into place.

Check stability. Your drawers are now ready to use!





OUR 2 YEAR GUARANTEE

our products come with a 2 year guarantee to give you peace of mind shopping at Furniturebox



WHAT THE GUARANTEE COVERS



PRE-INSERTED FIXINGS
e.g. loose metal threads



FAULTY JOINTS
e.g. legs bending



EXTERNAL FIXING FAULTS
e.g. metal discs removing from table top



STRUCTURAL INTEGRITY
e.g. the frame of the product



ACTIVATE YOUR GUARANTEE ONLINE

scan this QR code with your phone to read the full guarantee online and register your product. It only takes a moment to fill out. Or visit: furniturebox.co.uk/our-guarantee

Furniturebox UK, Unit 6 St Modwen's Park,
Chippenham, SN15 5BD
Tel: 01747 863333 Email: sales@furniturebox.co.uk