

sku:KX-NYJ2501/KX-NYJ2502

Steel Wicker Sofa Set



Thank you for choosing us!

Our goal is to provide high quality outdoor furniture with outstanding customer service-all at an affordable price.

Please let us know how we are doing!

Problems?

(Missing pieces, wrong pieces...)

We will fix it immediately. Send us an email at

aftersaledirect@gmail.com.

Happy?

Please leave us a review!

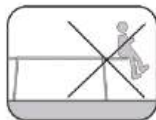
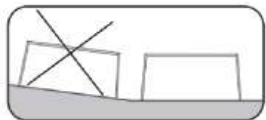
You can make others happy too!



Tip: We recommend flattening the boxes to use as a protective work surface, or setting up your new furniture on a soft floor like a carpet.



**IMPORTANT, RETAIN FOR
FUTURE REFERENCE:
READ CAREFULLY.**



Safety

- For domestic use only.
- Always use on firm level ground.
- Don't tighten all the bolts before the product is fully assembled.
- It would be useful to ask someone to help you assemble the product.
- Periodic structural checks of this product should be undertaken, do not use if you have any doubts about its fitness for purpose.
- Do not stand on the seat and table.
- Do not sit on the armrest and table.
- Do not let children play with this product.
- Maximum load per seat: 250 lbs.

At the beginning of the season

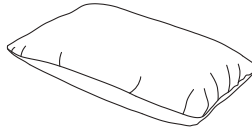
- Check to ensure that all components and fixings of this product are secure, do not use if you have any doubts about its fitness for purpose.

At the end of the season

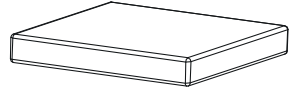
- This product should be stored under cover during prolonged spells of adverse weather (wet or cold) and also during the winter (ideally in a garden shed or garage).
- Always clean and dry thoroughly before storage.

How to Put on the Cushion Cover

1

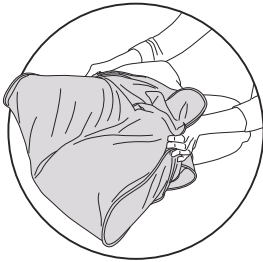


OR



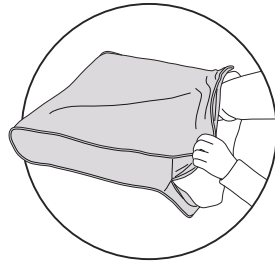
1. Take the cushion covers and inners out of the carton.

2



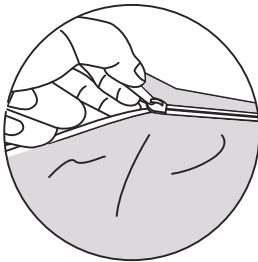
2. Fold the inner in half, pushing the sides together, then begin to slide the cover onto it.

3



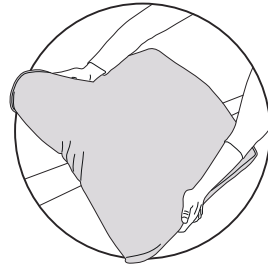
3. Align both far corners, then gently compress insert while fitting cover around it.

4



4. To avoid a stuck zipper, please pull the fabric away from the zipper before moving forward.

5



5. When all done, please pat the cushion or give it a little shake to make it more flat.

Care & Cleaning Guidelines

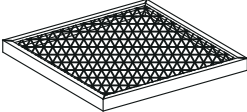
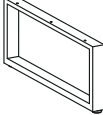
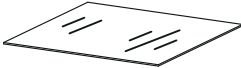



The covers are machine washable. Before washing, please zip the cover up to avoid catching other clothes. You can clean the dust on the chair / table / footstool with a damp cloth.

NOTE:

Vaccum compressed cushions,
Will return to normal shape after 5-7 days use.



COMPONENT LIST - TABLE

Item no.	Reference Image	Description	Qty.
A		Table Top Frame	1
B		Table Leg	2
C		Table Glass	1
a		Washer	6
b		M6X30 Head Cap Screw	6
d		Allen Key	1

NOTE:

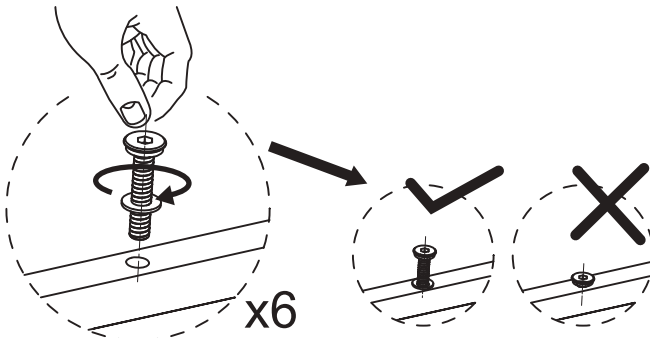
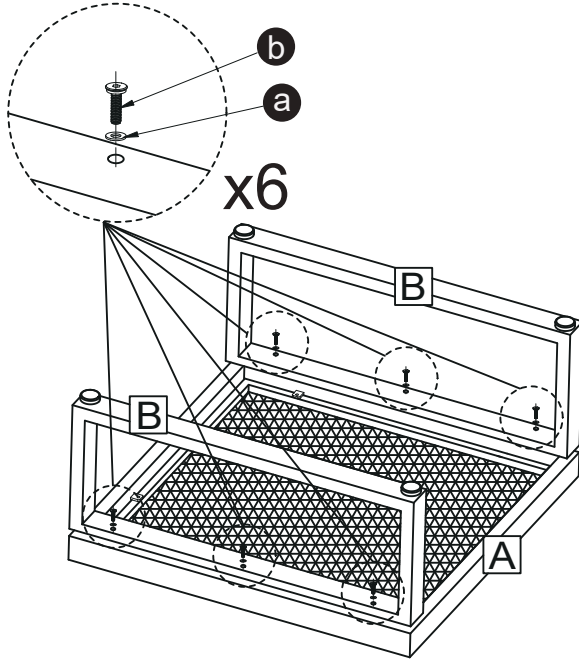
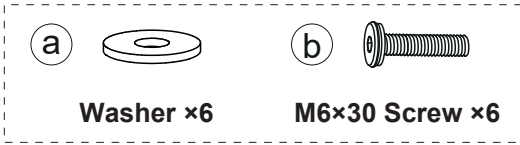
Do NOT tighten any screws fully first until you have tightened all the screws.

This may cause the frame to warp.

If there is still wobbles or screw holes cannot be aligned, loosen the screws and tighten sequentially.

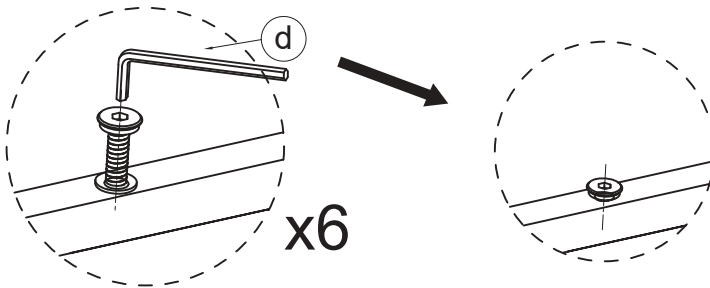
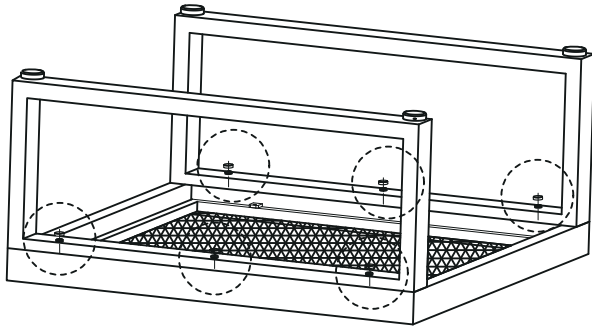
If the Table is not stable it could lead to damage to the product.

01



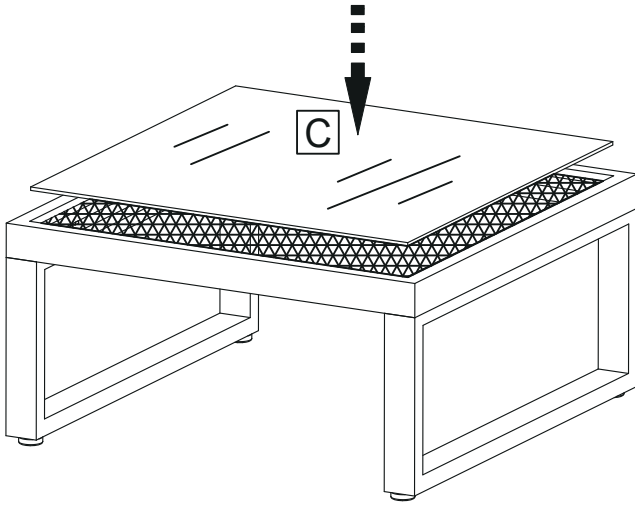
NOTE: DO NOT TIGHTEN THE SCREWS COMPLETELY.

02 Tighten all 6 Screws into place with Allen Key.



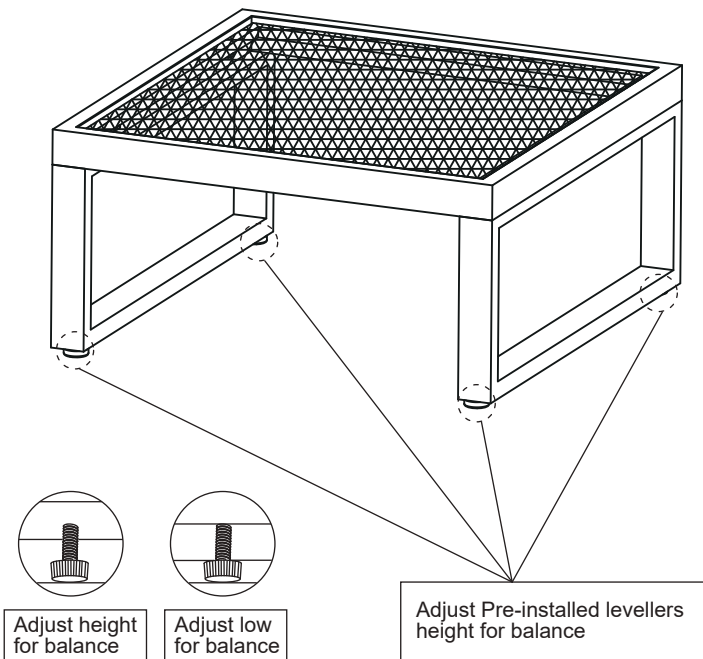
NOTE:IF ANY SCREW HOLES CANNOT BE ALIGNED, LOOSEN ALL THE SCREWS AND GO BACK STEP 1 AND RESTART ASSEMBLY.

03



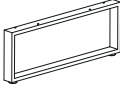
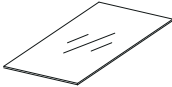



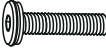





NOTE: Be careful and do not scratch the glass top during the assembling.

04



COMPONENT LIST - LOVESEAT

Item no.	Reference Image	Description	Qty.
D		Two Seater Sofa Seat	1
E		Sofa Back	2
F		Sofa Leg	2
G		Glass	1
H		Two Seater Sofa Cushion	1
I		Back Cushion	2
a		Washer	8
b		M6X30 Head Cap Screw	12
e		Fittings	4
f		M6X25 Head Cap Screw	4
d		Allen Key	1

NOTE:

Do NOT tighten any screws fully first until you have tightened all the screws.

This may cause the frame to warp.

If there is still wobbles or screw holes cannot be aligned, loosen the screws and tighten sequentially.

If the Loveseat is not stable it could lead to damage to the product.

01

(b)

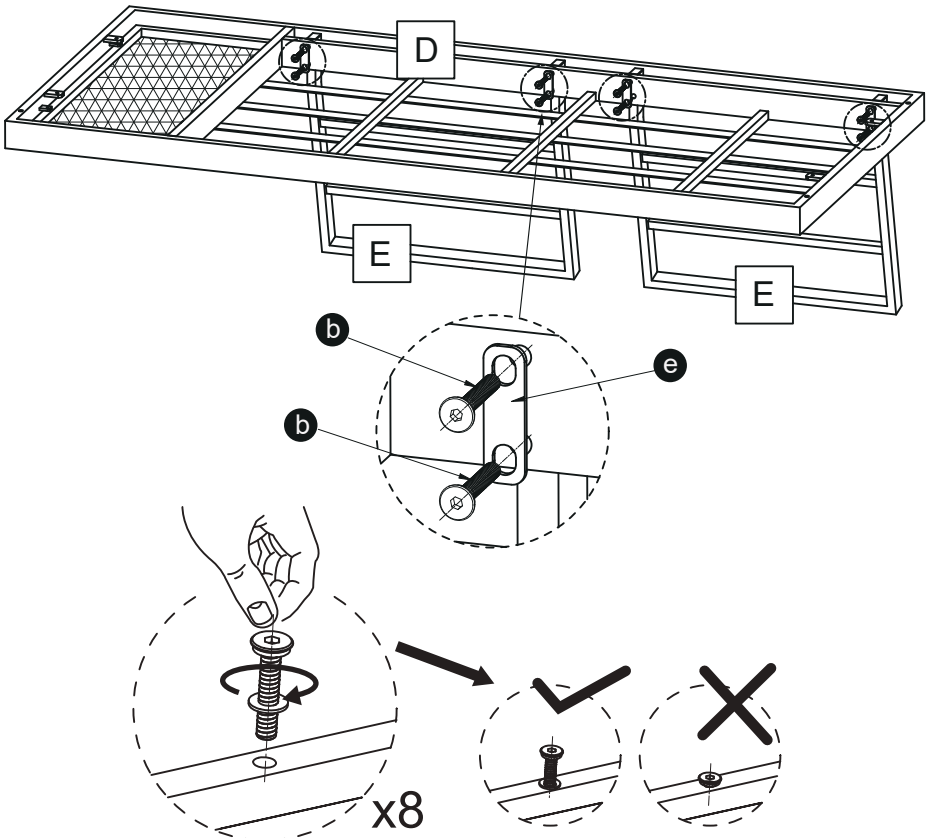


M6x30 Screw x8

(e)



Fittings x4



NOTE:DO NOT TIGHTEN THE SCREWS COMPLETELY.

02

a

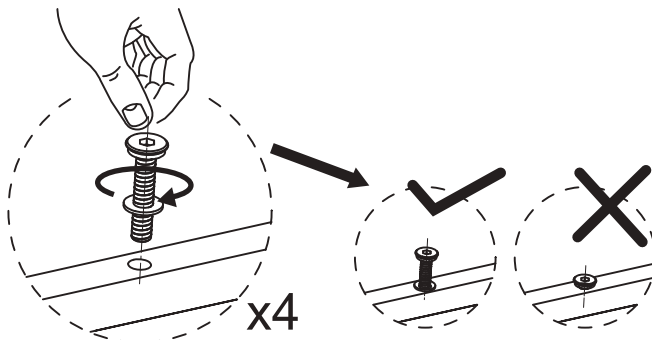
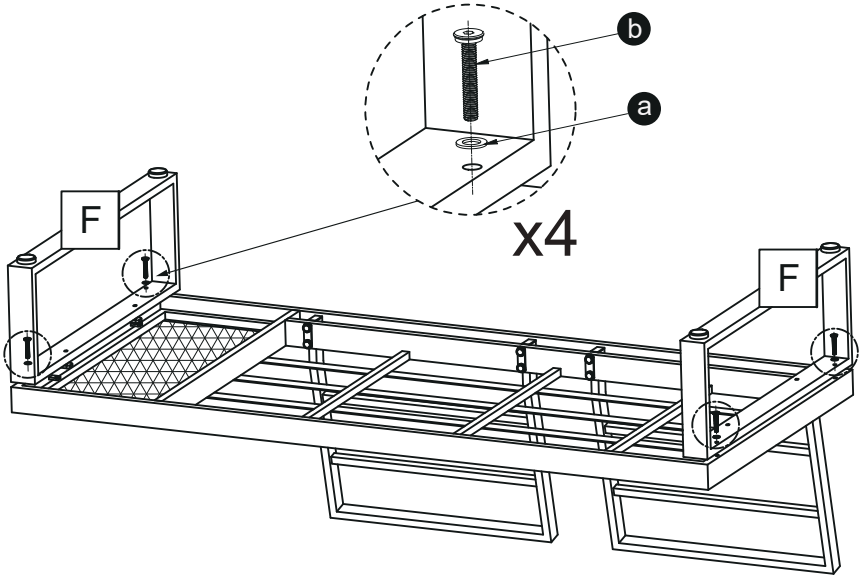


Washer x4

b



M6x30 Screw x4



NOTE: DO NOT TIGHTEN THE SCREWS COMPLETELY.

03

a

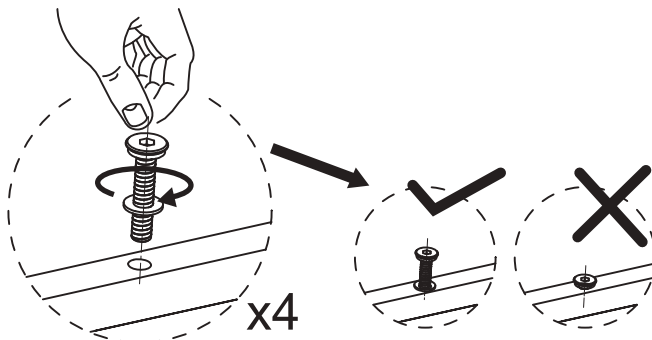
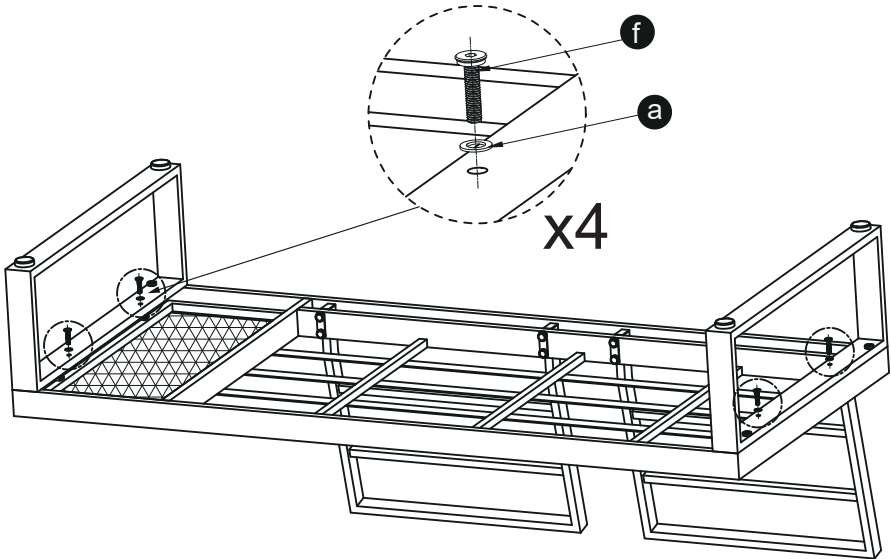


Washer x4

f

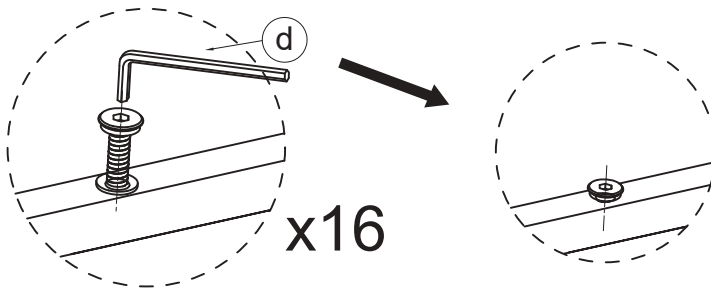
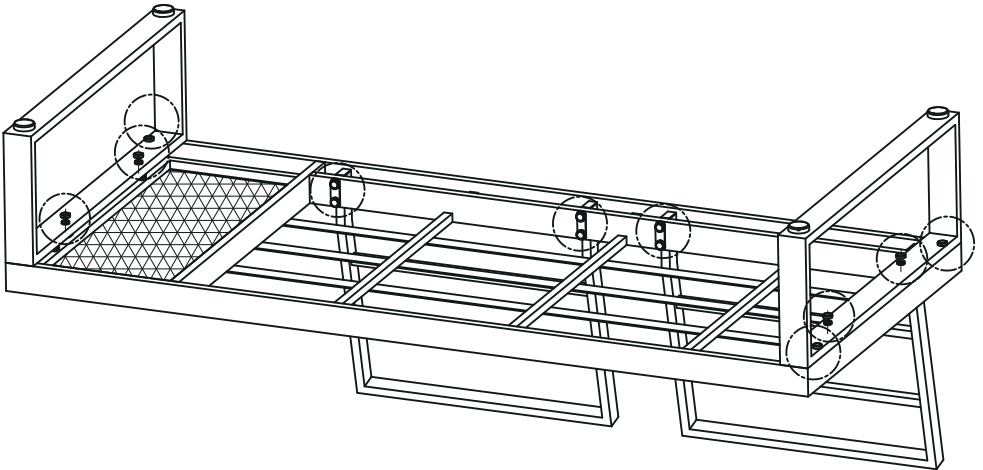


M6x25 Screw x4



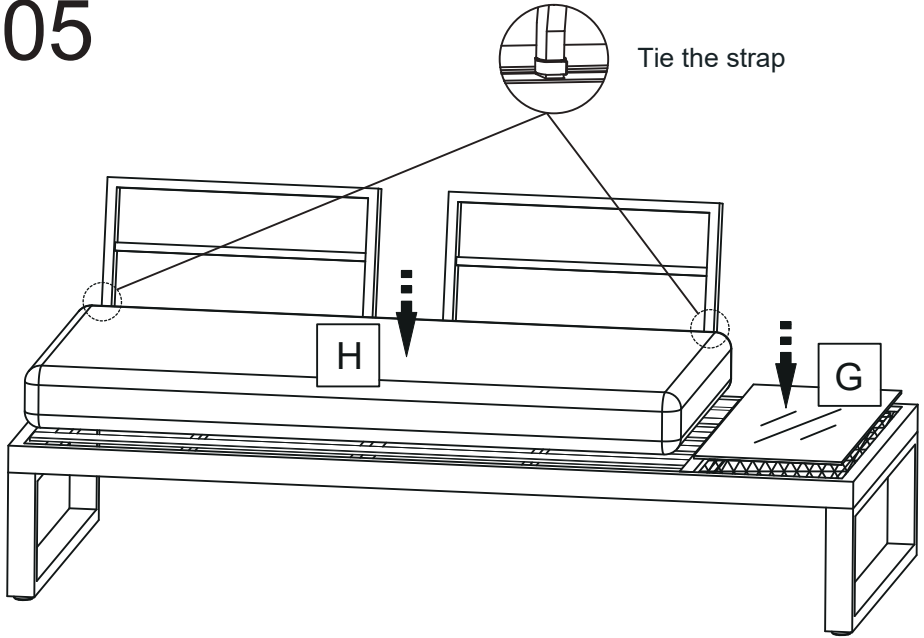
NOTE: DO NOT TIGHTEN THE SCREWS COMPLETELY.

04 Tighten all 16 Screws into place with Allen Key.

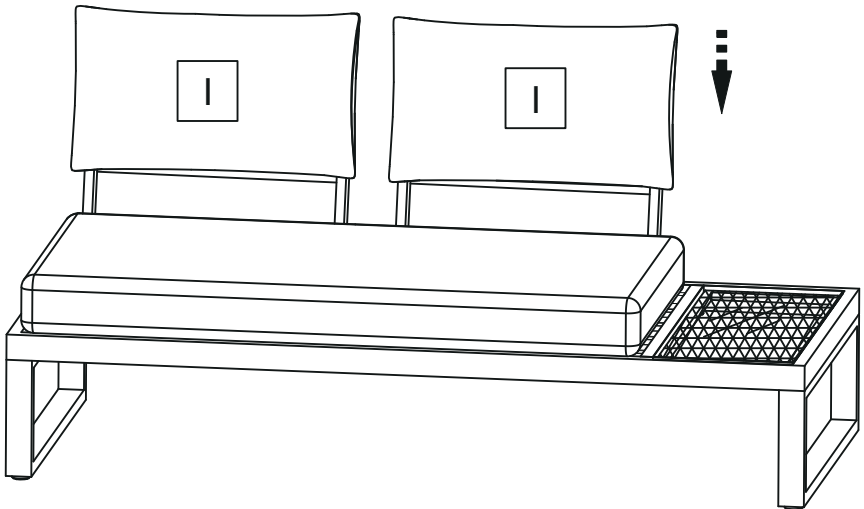


NOTE:IF ANY SCREW HOLES CANNOT BE ALIGNED, LOOSEN ALL THE SCREWS AND GO BACK STEP 1 AND RESTART ASSEMBLY.

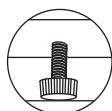
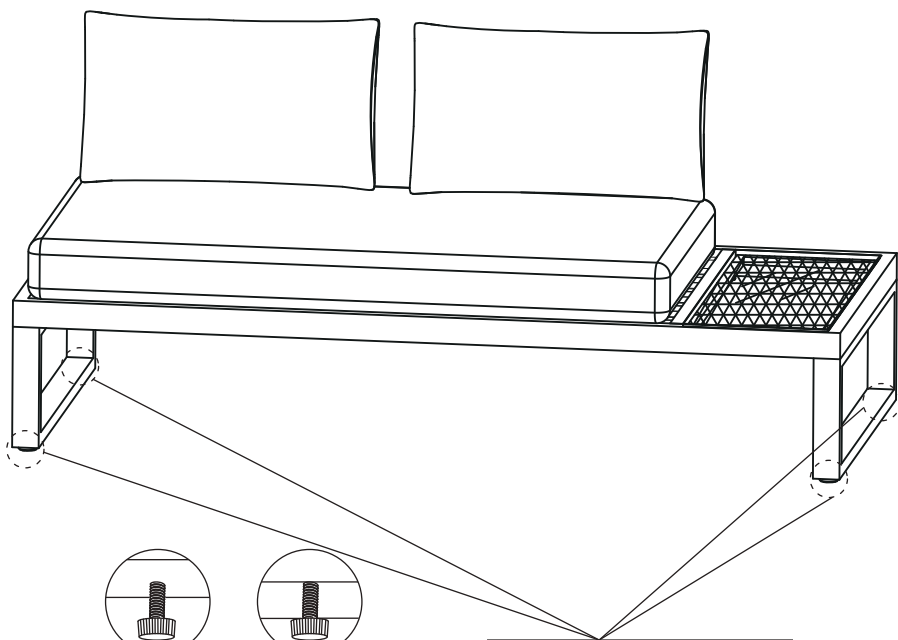
05



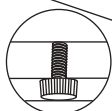
06



07




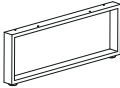
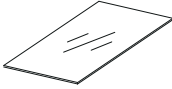
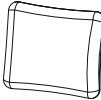



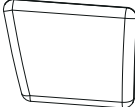


Adjust height
for balance




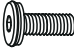


Adjust low
for balance

Adjust Pre-installed levelers
height for balance

COMPONENT LIST - COUCH

Item no.	Reference Image	Description	Qty.
E		Sofa Back	4
F		Sofa Leg	2
G		Glass	1
I		Back Cushion	3
J		Three Seater Sofa Seat	1
K		Middle Leg	1
L		Three Seater Sofa Cushion	1
M		Corner Cushion	1
a		Washer	10
b		M6X30 Head Cap Screw	20

COMPONENT LIST - COUCH

Item no.	Reference Image	Description	Qty.
e		Fittings	8
f		M6X25 Head Cap Screw	4
g		M6X15 Head Cap Screw	2
d		Allen Key	1

NOTE:

Do NOT tighten any screws fully first until you have tightened all the screws.

This may cause the frame to warp.

If there is still wobbles or screw holes cannot be aligned, loosen the screws and tighten sequentially.

If the Couch is not stable it could lead to damage to the product.

01

(b)

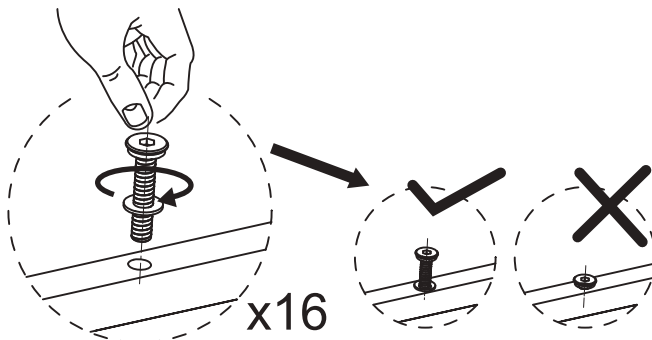
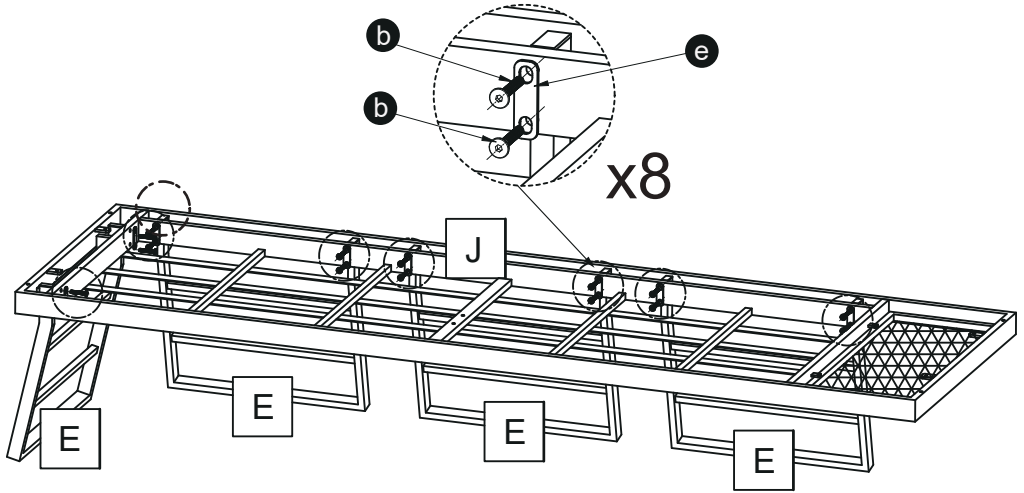


M6x30 Screw x16

(e)



Fittings x8



NOTE: DO NOT TIGHTEN THE SCREWS COMPLETELY.

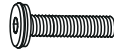
02

a

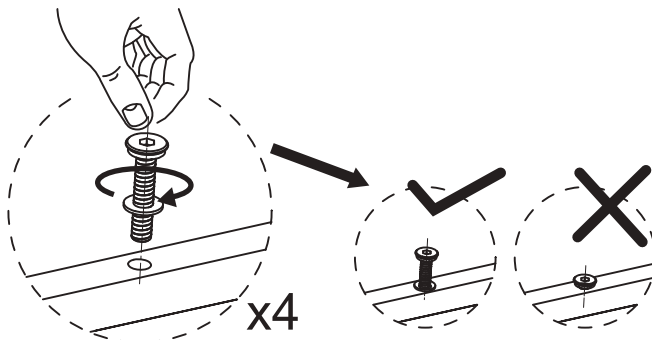
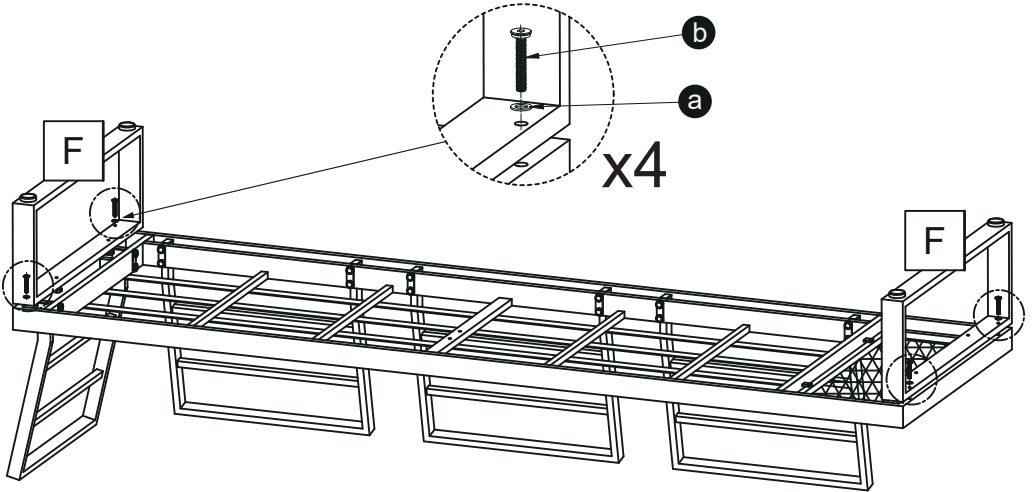


Washer x4

b



M6x30 Screw x4



NOTE: DO NOT TIGHTEN THE SCREWS COMPLETELY.

03

a

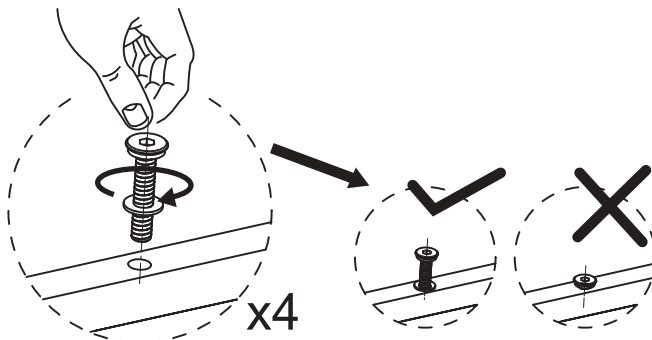
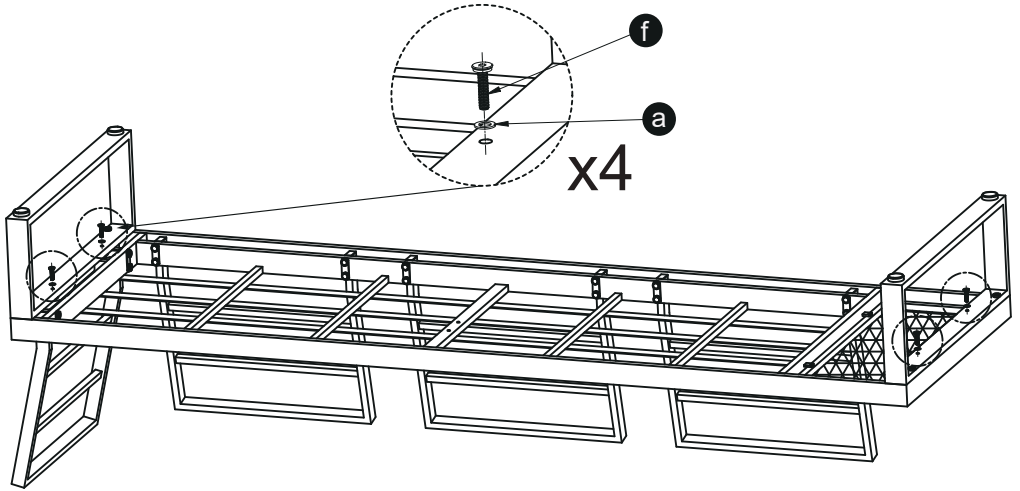


Washer x4

f



M6x25 Screw x4



NOTE: DO NOT TIGHTEN THE SCREWS COMPLETELY.

04

a

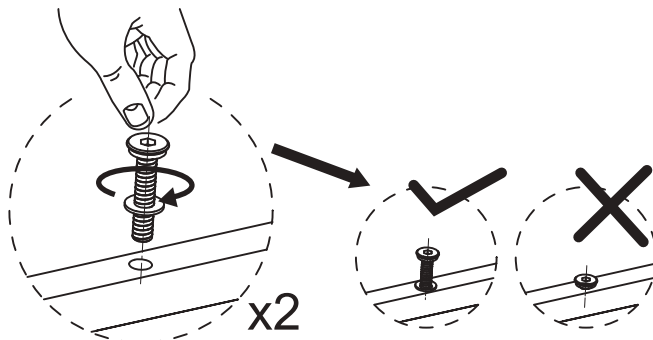
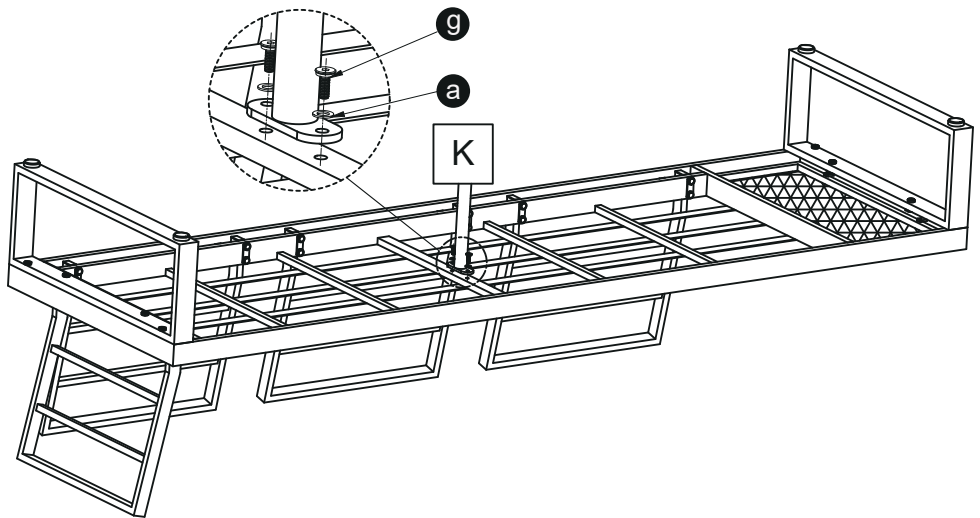


Washer x2

g

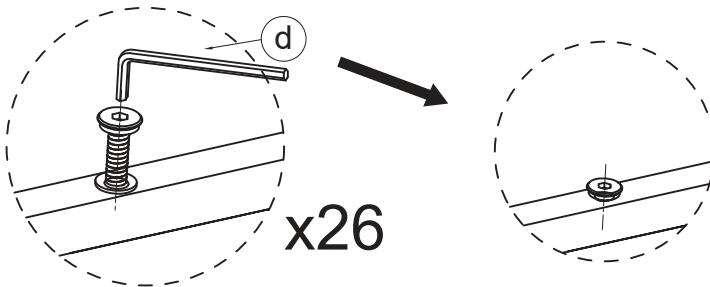
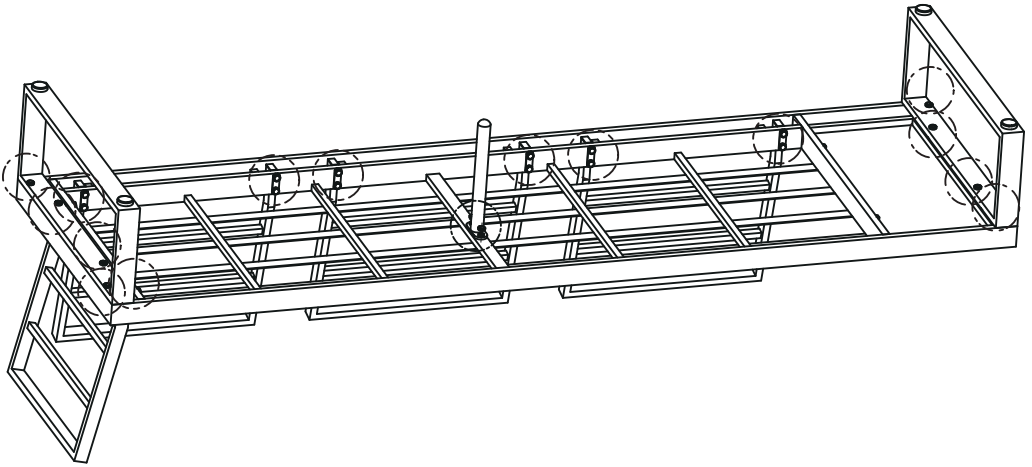


M6x15 Screw x2



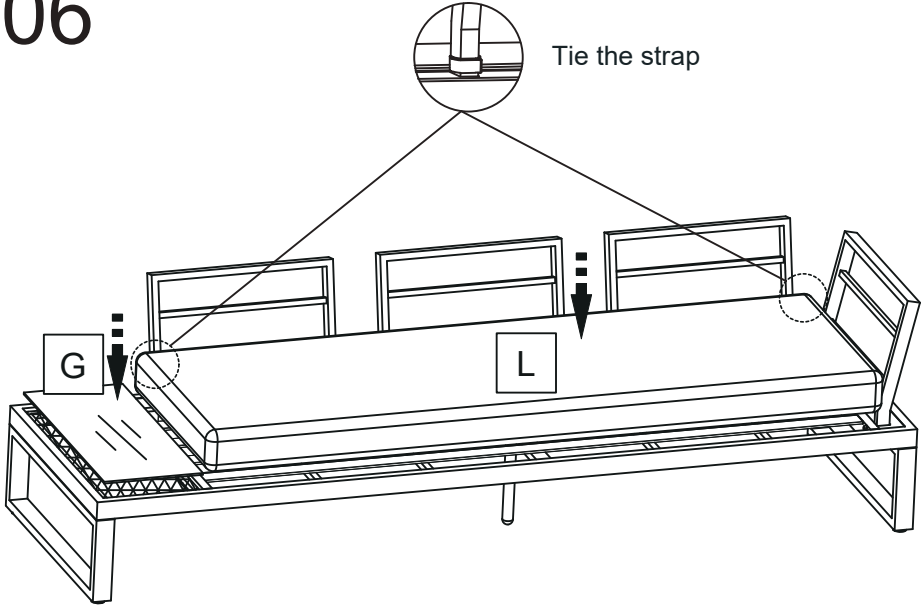
NOTE: DO NOT TIGHTEN THE SCREWS COMPLETELY.

05 Tighten all 26 Screws into place with Allen Key.

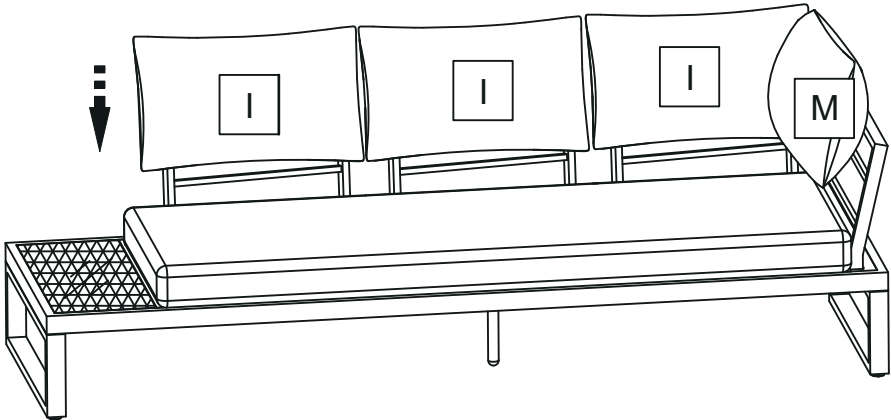


NOTE:IF ANY SCREW HOLES CANNOT BE ALIGNED, LOOSEN ALL THE SCREWS AND GO BACK STEP 1 AND RESTART ASSEMBLY.

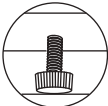
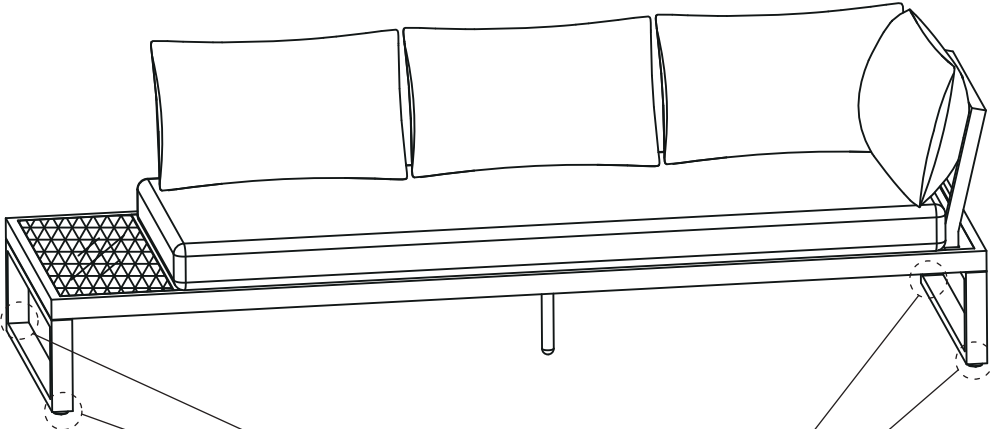
06



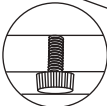
07



08



Adjust height
for balance



Adjust low
for balance

Adjust Pre-installed levellers
height for balance

Use straps to connect the sofa

