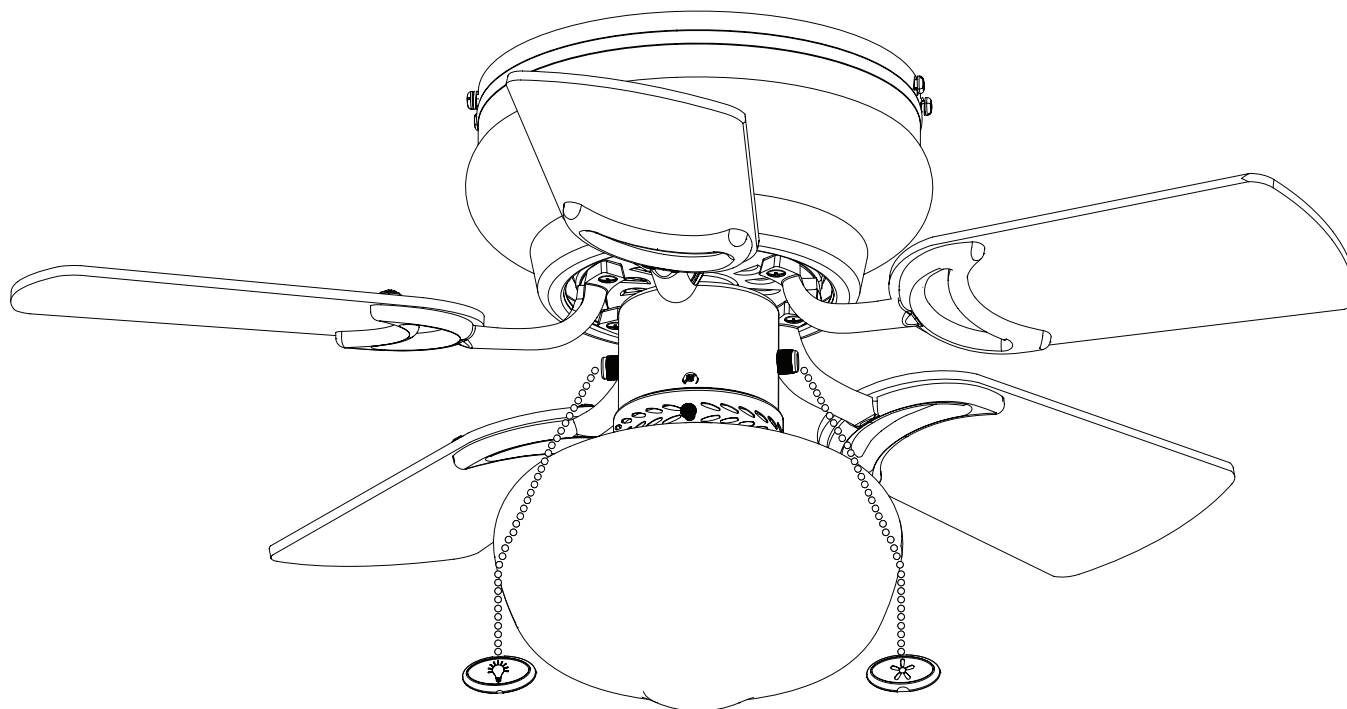


# 28" HUGGER CEILING FAN

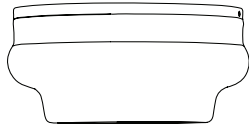


## PACKAGE CONTENTS

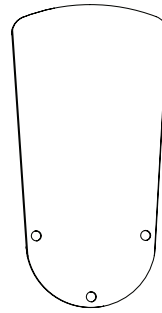
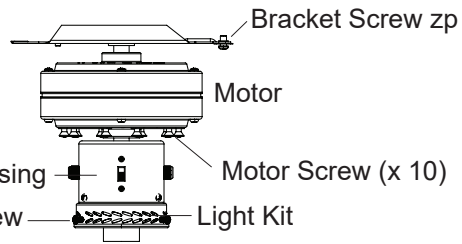
Mounting Bracket



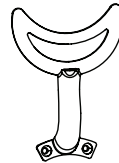
Bracket Screw (x 2)



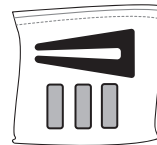
Motor Housing



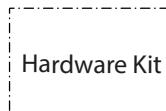
Blade (x 5)



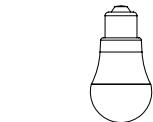
Blade Arm (x 5)



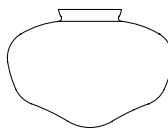
Blade Balancing Kit



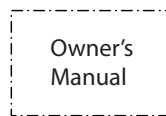
Hardware Kit



E26-Base LED Bulb

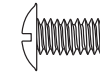


Glass Bowl

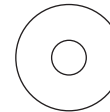


Owner's Manual

## HARDWARE CONTENTS



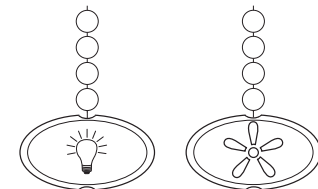
Blade Screw (x 15)



Blade Washer (x 15)



Wire Connector (x 3)



Pull Chain Extension (x 2)

Some extra hardware has been included.  
The quantity listed above is the number  
required for installation.

# TABLE OF CONTENTS

Package Contents . . . . .	2
Hardware Contents . . . . .	2
Preparation . . . . .	3
Assembly Instructions . . . . .	5
Operating Instructions . . . . .	9
Safety Information . . . . .	10
Care and Maintenance . . . . .	10
Troubleshooting . . . . .	11
Warranty . . . . .	12

## PREPARATION

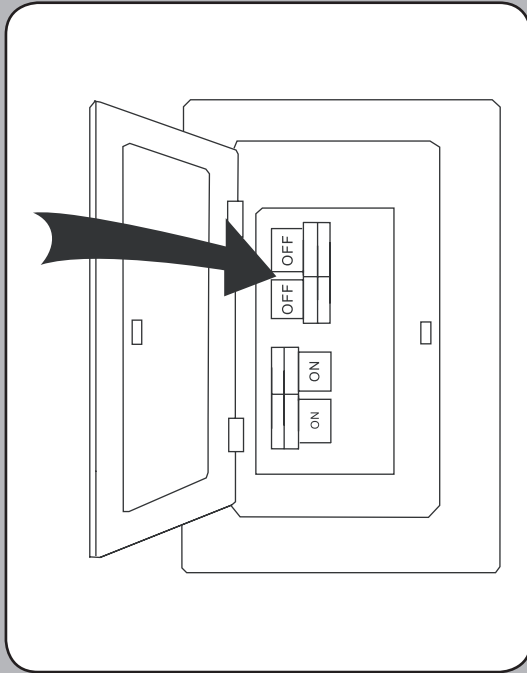
Before beginning the assembly of this product, ensure all parts are present. Compare all parts with the package contents list and hardware contents list. If any part is missing or damaged, do not attempt to assemble the product.

**Estimated Assembly Time:** 120 minutes

Tools required for assembly (not included): Phillips Screwdriver, Pliers, Safety Glasses, Step Ladder, and Wire Strippers

Helpful Tools (not included): AC Tester Light, Tape Measure, Wiring Handbook and Wire Cutters

## PREPARATION



### 1. Turn off power.

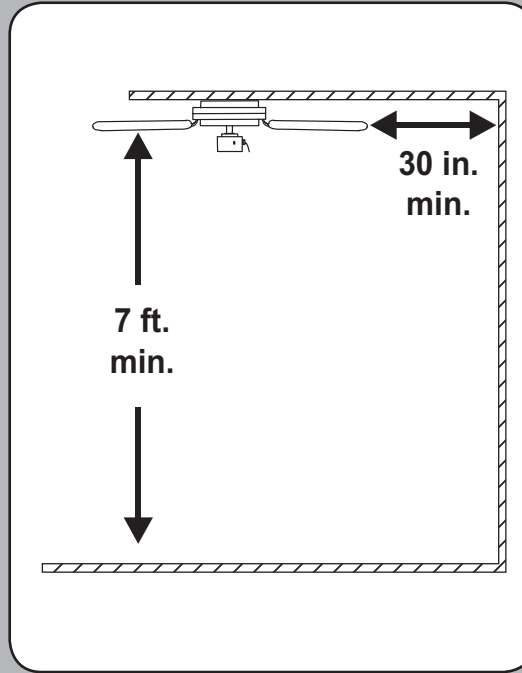
Turn off the power to the fan at the breaker box and the wall switch.



Failure to disconnect the power supply prior to installation may result in serious injury or death.



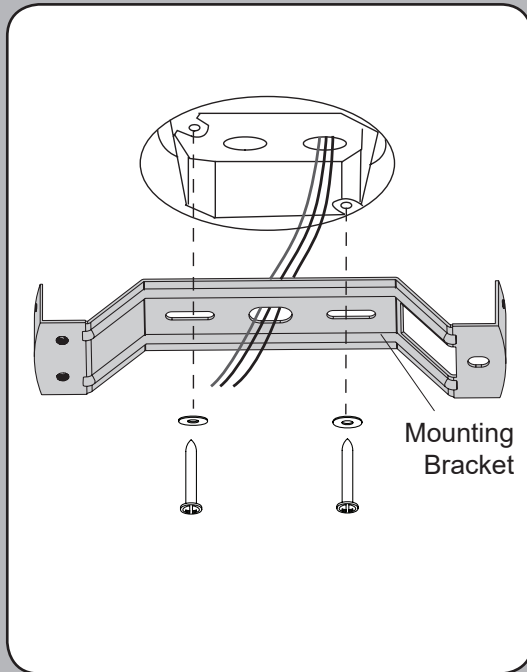
See page 10 for complete description of cautions and warnings.



### 2. Choose suitable location.

Ensure the blades will be at least 30 inches from any obstructions and the blades will be at least 7 feet above the floor.

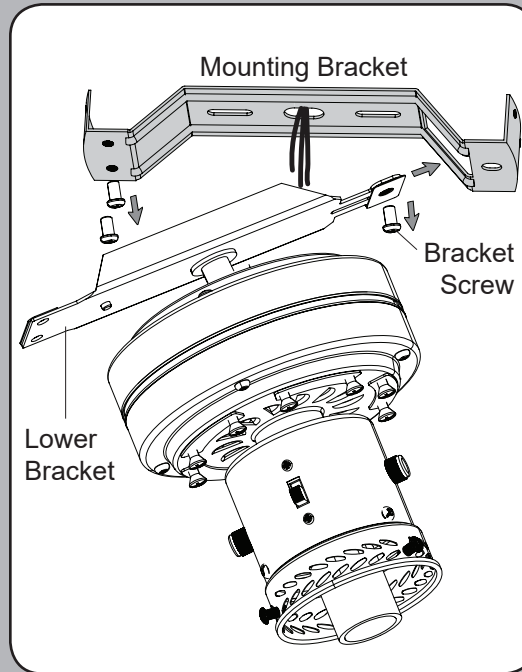
## ASSEMBLY INSTRUCTIONS



### 1. Install the mounting bracket.

Secure the mounting bracket to the outlet box (not included) using the two mounting screws supplied with outlet box.

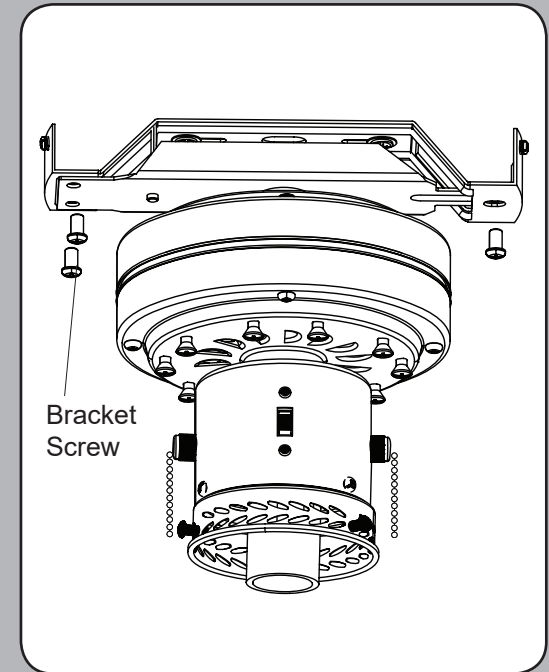
**Warning:** To reduce the risk of fire, electrical shock, or personal injury, mount the fan to the outlet box marked "acceptable for fan support".



### 2. Install lower bracket.

**Note:** Remove the wire restraint from the wire on top of the lower bracket.

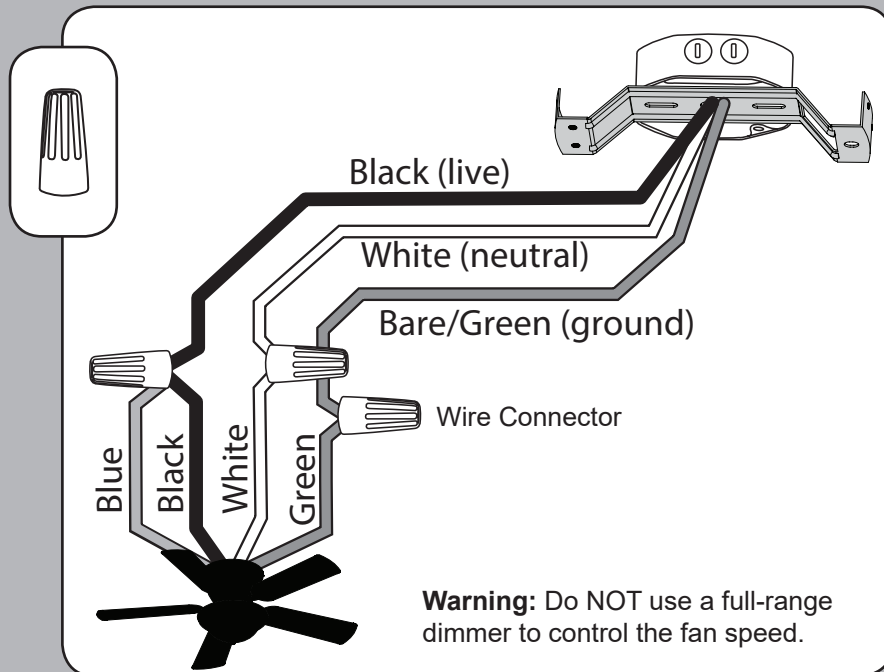
Remove the preassembled bracket screw from the lower mounting bracket and the two bracket screws from the mounting bracket. Insert the tab of the lower mounting bracket into the slot in the upper mounting bracket.



### 3. Secure lower bracket.

Secure the lower bracket to the mounting bracket using the three previously removed bracket screws.

## ASSEMBLY INSTRUCTIONS



### 4. Connect wiring.

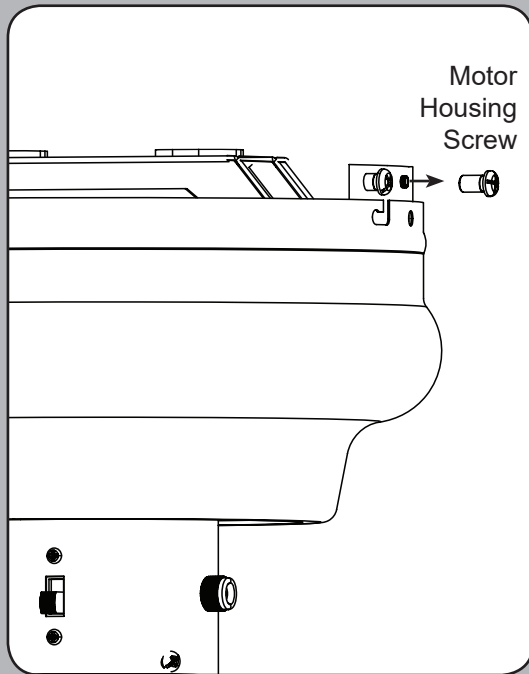
Connect supply and fan wires with wire connectors according to the diagram and these steps:

- Connect the green wire from the lower mounting bracket to the bare/green (ground) supply wire.
- Connect the white wire from the fan to the white (neutral) supply wire.
- Connect the blue and black wires from the fan to the black (hot) supply wire.

**Note:** If there is a second hot/power wire coming from the outlet box, connect it to the blue (light power) fan wire for separate light and fan control.

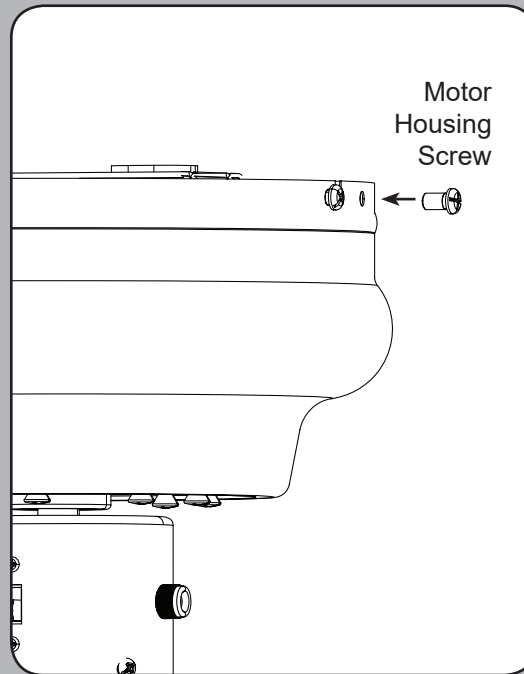
**Note:** The black fan wire is the power for the fan. The blue fan wire is the power for the light. The green fan wires is the ground. Ensure no bare wire or wire strands are visible after making connections. Place the Green and White wire connections on the opposite side of the outlet box from the Black and Blue wire connections.

## ASSEMBLY INSTRUCTIONS



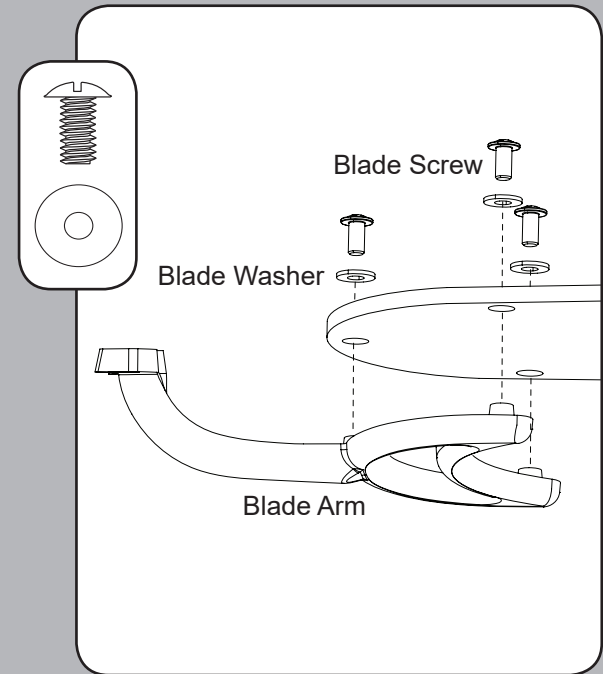
### 5. Install motor housing.

Temporarily lift the motor housing to the upper mounting bracket to determine which two motor housing screws in the sides of the mounting bracket align with the slotted holes in the top edge of the motor housing. Partially loosen the two motor housing screws that align with the slotted holes. Remove the other two motor housing screws from opposite sides of the mounting bracket.



### 6. Secure motor housing.

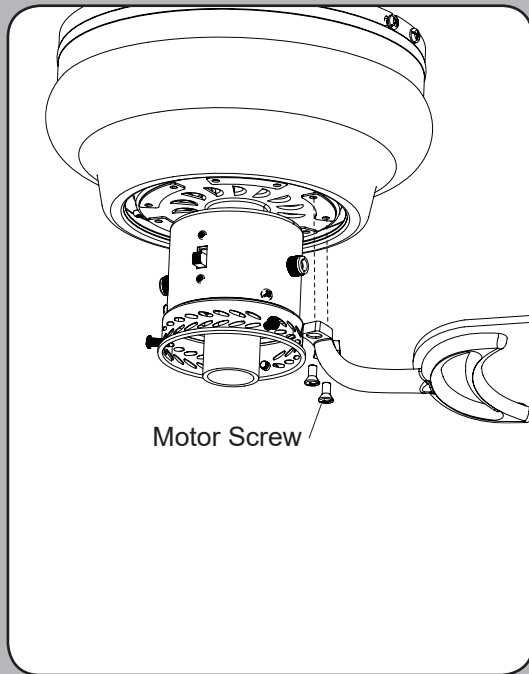
Slide the motor housing over the motor, aligning the slotted holes in the motor housing with the loosened motor housing screws in the mounting bracket. Twist the motor housing to lock into place. Then re-insert the two previously removed motor housing screws and securely tighten all four screws.



### 7. Attach blades to blade arms.

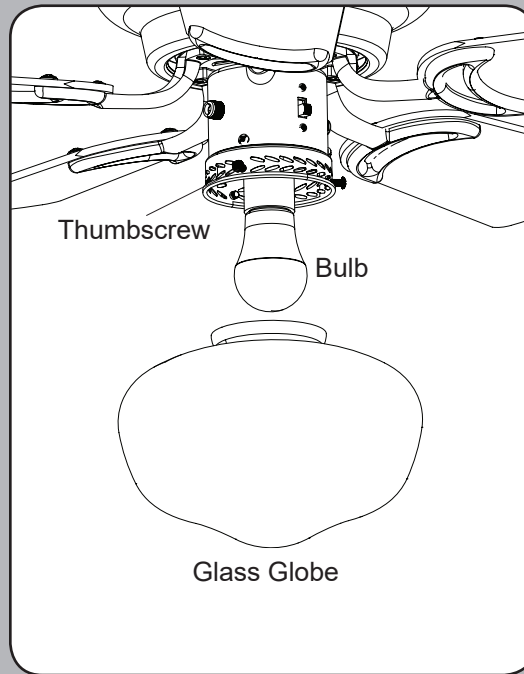
Partially insert three blade screws along with the three blade washers through one blade and into the blade arm. Tighten each screw with a Phillips screwdriver (not included), starting with the one in the middle. Repeat this step for remaining blades and blade arms.

## ASSEMBLY INSTRUCTIONS



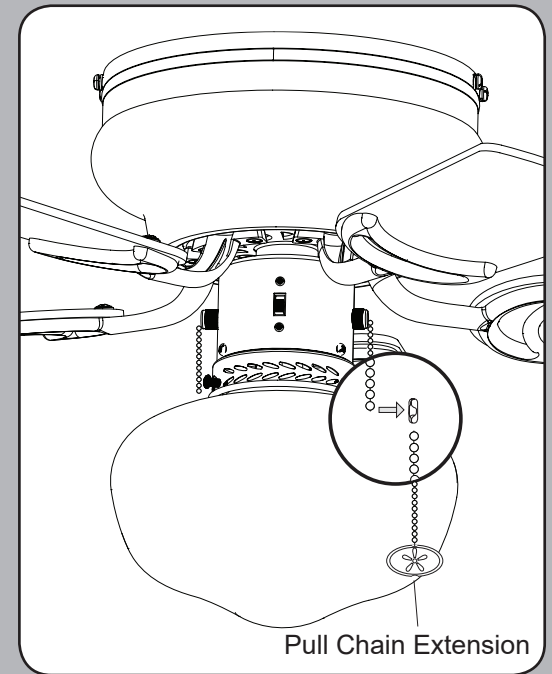
### 8. Install blade arms.

Remove the 10 preassembled motor screws from the underside of the motor. Secure the blade arm to the underside of the motor using motor screws. Completely secure each blade arm to the motor before moving to the next.



### 9. Install bulb and glass globe.

Install the E26-base LED bulb into the socket. Then, loosen the thumbscrews on the light kit. Lift the glass globe to the light kit, tightening the loosened thumbscrews to secure.

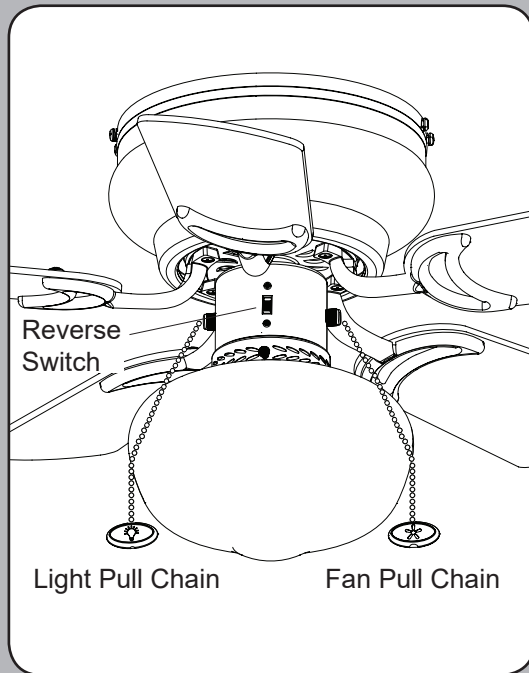


### 10. Attach the pull chain extension to the pull chain.

**Note:** When facing the reverse switch, the pull chain for the fan is on the right and the pull chain for the light is on the left.

**Installation is complete. Turn on power to the fan at the breaker box and at the wall switch.**

## OPERATING INSTRUCTIONS

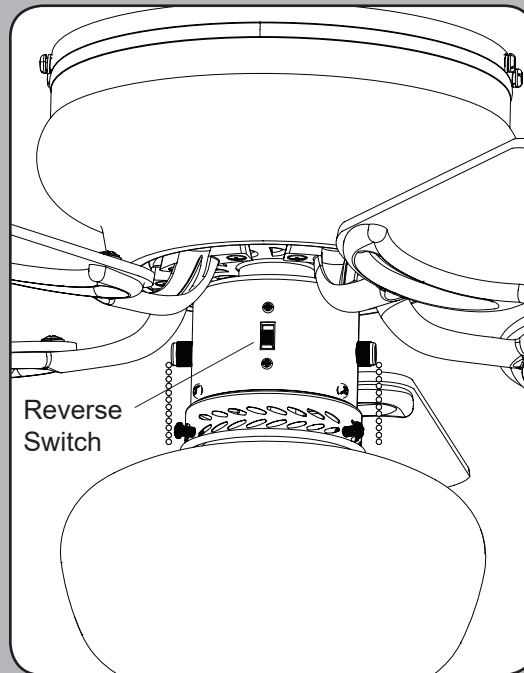


### Pull Chain Operation

The fan pull chain has four positions to control fan speed. One pull is HIGH, two is MEDIUM, three is LOW and four turns the fan OFF.

The light pull chain has two positions to control the light, ON and OFF.

**Note:** When facing the reverse switch, the pull chain for the fan is on the right and the pull chain for the light is on the left.



### Reverse Switch Operation

Using a ceiling fan will allow you to raise your thermostat setting in summer and lower your thermostat setting in winter without feeling a difference in your comfort.

**Note:** Wait for the fan to stop before moving the reverse switch.


**In warmer weather,** push the reverse switch down to display a sun icon, which will result in downward airflow creating a wind chill effect.


**In cooler weather,** push the reverse switch up to display a snowflake icon, which will result in upward airflow that can help move stagnant, hot air off the ceiling area.


## SAFETY INFORMATION


Please read and understand this entire manual before attempting to assemble, operate or install the product.


- Before you begin installing the fan, disconnect the power by removing fuses or turning off the circuit breakers.
- Make sure all electrical connections comply with local codes, ordinances, the National Electrical Code and ANSI/NFPA 70-199. Hire a qualified electrician or consult a do-it-yourself wiring handbook if you are unfamiliar with installing electrical wiring.
- Make sure the installation site you choose allows a minimum clearance of 7 ft. from the blades to the floor and at least 30 in. from the end of the blades to any obstruction.
- The net weight of the fan is 9.48 pounds.


 **DANGER:** When using an existing outlet box, make sure the outlet box is securely attached to the building structure and can support the full weight of the fan. Failure to do this can result in serious injury or death. The stability of the outlet box is essential in minimizing wobble and noise in the fan after installation is complete.


 **WARNING:** To avoid personal injury, the use of gloves may be necessary while handling fan parts with sharp edges.

 **WARNING:** Using a full-range dimmer switch to control fan speed will cause a loud humming noise from the fan. To reduce the risk of fire or electric shock, do NOT use a full-range dimmer switch to control the fan speed.

 **WARNING:** To reduce the risk of fire, electric shock or personal injury, mount the fan to an outlet box marked “ACCEPTABLE FOR FAN SUPPORT” and use the mounting screws provided with the outlet box. Most outlet boxes commonly used for the support of lighting fixtures are not acceptable for fan support and may need to be replaced. Consult a qualified electrician if in doubt. Secure the outlet box directly to the building structure. The outlet box and its support must be able to support the moving weight of the fan (at least 35 lbs.).

 **WARNING:** To reduce the risk of fire, electric shock or personal injury, wire connectors provided with this fan are designed to accept only one 12-gauge house wire and two lead wires from the fan. If your house wire is larger than 12-gauge and/or there is more than one house wire to connect to the two fan lead wires, consult an electrician for the proper size wire connectors to use.

 **WARNING:** To reduce the risk of fire, electric shock or personal injury, do not bend the blade arms when installing them, balancing the blades or cleaning the fan. Do not insert objects between the rotating fan blades.

 **WARNING:** To reduce the risk of personal injury, use only parts provided with this fan. The use of parts OTHER than those provided with this fan will void the warranty.

**CAUTION:** Be sure the outlet box is properly grounded or a ground (green or bare) wire is present.

**CAUTION:** Carefully check all screws, bolts, and nuts on the fan assembly ensure they are secured.

## CARE AND MAINTENANCE

At least twice each year, lower the canopy to check the downrod assembly and tighten all screws on the fan. Clean the motor housing with only a soft brush or lint-free cloth to avoid scratching the finish. Clean the blades with a lint-free cloth.

**Important:** Shut off the main power supply before you begin any maintenance task. Do NOT use water or a damp cloth to clean the fan.

## TROUBLESHOOTING

PROBLEM	CORRECTIVE ACTION
The fan does not move.	<ol style="list-style-type: none"> <li>1. Firmly push the reverse switch completely up or down. The fan will not move with the switch in the middle position.</li> <li>2. Make sure the wall switch is turned on.</li> <li>3. Ensure power is on at wall switch and breaker box</li> <li>4. Turn the power off and check all wire connections at the ceiling outlet box.</li> </ol>
The fan is noisy.	<ol style="list-style-type: none"> <li>1. Check and tighten all screws that hold the fan blades to the blade arms and motor.</li> <li>2. Replace any blade that is cracked or damaged.</li> <li>3. Do not use a variable-speed wall control to control the fan speed.</li> <li>4. Ensure the outlet box is securely mounted to the building structure.</li> <li>5. Ensure the mounting bracket is securely mounted to the outlet box.</li> </ol>
The fan wobbles excessively.	<ol style="list-style-type: none"> <li>1. Tighten all screws that hold the fan blades to the blade arms and blade arms to motor.</li> <li>2. Switch one blade with a blade from the opposite side. Or balance the fan using the blade balancing kit.</li> <li>3. Turn off power. Loosen the canopy and verify that the mounting bracket is secure to the electrical outlet box. The mounting bracket must be flush without movement against the outlet box.</li> <li>4. Use a longer downrod or move the fan to another location if fan blade is too close to the ceiling.</li> <li>5. Ensure the mounting bracket is securely mounted to the electrical outlet box.</li> <li>6. Tighten the mounting bracket is securely mounted to the outlet box.</li> </ol>
The fan operates correctly but the lights are not working.	<ol style="list-style-type: none"> <li>1. Install new bulbs.</li> <li>2. Ensure the single-pin connectors from the switch housing to the light kit are connected properly.</li> <li>3. Turn the power off and check all wire connections between the fan and outlet box.</li> </ol>

## LIFETIME LIMITED WARRANTY

The manufacturer warrants this fan to be free from defects in workmanship and materials present at time of shipment from the factory for a lifetime from the date of purchase by the original purchaser. The retailer also warrants that all other fan parts, excluding any glass or acrylic blades, to be free from defects in workmanship and material at the time of shipment from the factory for a period of one year after the date of purchase by the original purchaser. The manufacturer agrees to correct such defects without charge or at its option replace the ceiling fan with a comparable or superior model.

To obtain warranty service, present a copy of the receipt as proof of purchase. All costs of removing and reinstalling the product are your responsibility. Any damage to any part such as by accident or misuse or improper installation or by affixing any accessories, is not covered by this warranty. The manufacturer assumes no responsibility whatsoever for fan installation during the limited lifetime warranty. Any service performed by an unauthorized person will render the warranty invalid.

Due to varying climate conditions, this warranty does not cover any changes in brass finish, including rusting, pitting, corroding, tarnishing or peeling. Brass finishes of this type give their longest useful life when protected from varying weather conditions. Any glass provided with this fan is not covered by the warranty.

Any replacement of defective parts from the ceiling fan must be reported within the first year from the date of purchase. For the balance of the warranty, call our customer service department for return authorization and shipping instructions so that we may repair or replace the ceiling fan. Any fan or parts returned improperly is the sole responsibility of the purchaser. There is no other expressed warranty. The manufacturer disclaims any and all warranties. The duration of any implied warranty which cannot be disclaimed is limited to the time period as specified in the expressed warranty. The manufacturer shall not be liable for incidental, consequential, or special damages arising out of or in connection with product use or performance except as may otherwise be accorded by law. This warranty gives specific legal rights, and you may also have other rights which vary from state to state.

This warranty supersedes all prior warranties.

**Note:** A small amount of “wobble” is normal and should not be considered a defect.