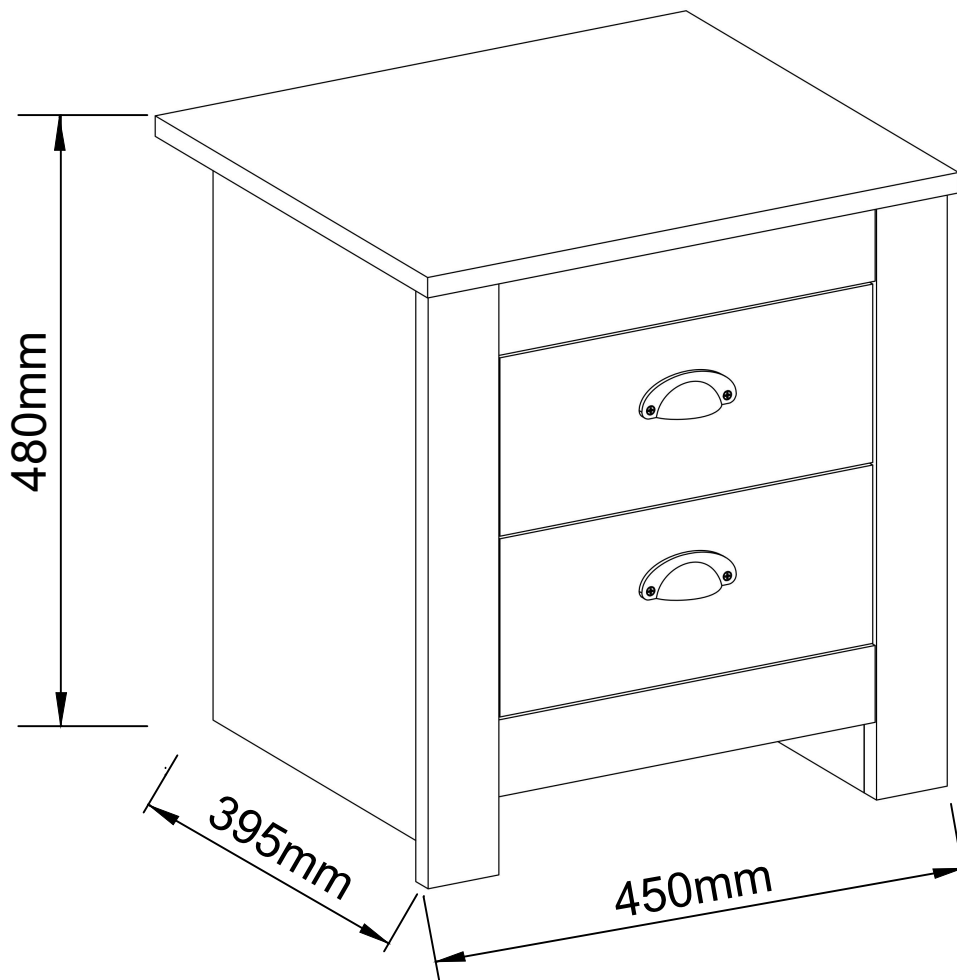



GLOBAL PROCUREMENT AND MARKETING LIMITED

2 Drawers Chest

Assembly Instructions – Please keep for future reference



Dimensions	No. people	Assembly Time
Width: 45 cm Depth: 39.5 cm Height: 48 cm		40 mins (approx.)

Important

- PLEASE READ THESE INSTRUCTIONS FULLY BEFORE STARTING ASSEMBLY
- PLEASE DO NOT THROW THE PACKAGING AWAY UNTIL YOU ARE SATISFIED WITH PURCHASE, GOODS NEED TO BE RETURNED IN ORIGINAL PACKAGING.

⚠ Safety and Care Advice

Important – Please read these instructions fully before starting assembly

- Check you have all the components and tools listed on pages 4 and 5.
- Remove all fittings from the plastic bags and separate them into their groups.
- Keep children and animals away from the work area, small parts could choke if swallowed.
- Make sure you have enough space to lay out the parts before starting.
- Do not stand or put weight on the product, this could cause damage.
- Assemble the item as close to its final position (in the same room) as possible.
- Assemble on a soft, level surface to avoid damaging the unit or your floor.
- We do not recommend the use of power drill/drivers for inserting screws, as this could damage the unit. Only use hand screwdrivers.
- Dispose of all packaging carefully and responsibly.



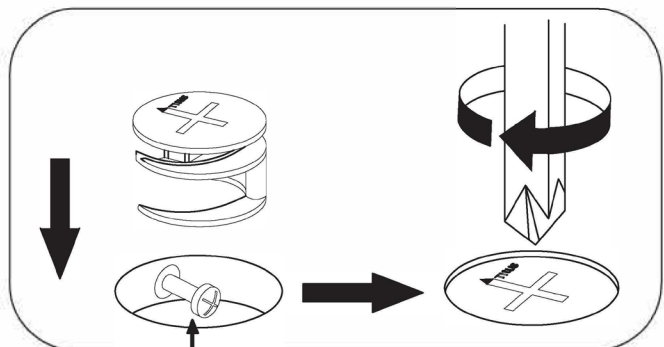
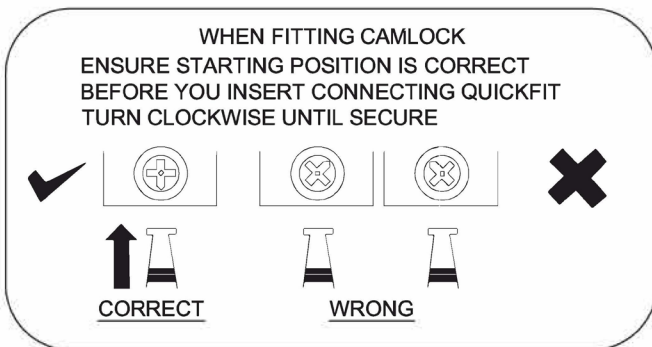
Only use hand screwdrivers.

- Dispose of all packaging carefully and responsibly.

Care and Maintenance

- Only clean using a damp cloth and mild detergent, do not use bleach or abrasive cleaners.
- From time to time check that there are no loose screws on this unit.
- This product should not be discarded with household waste. Take to your local authority waste disposal centre.

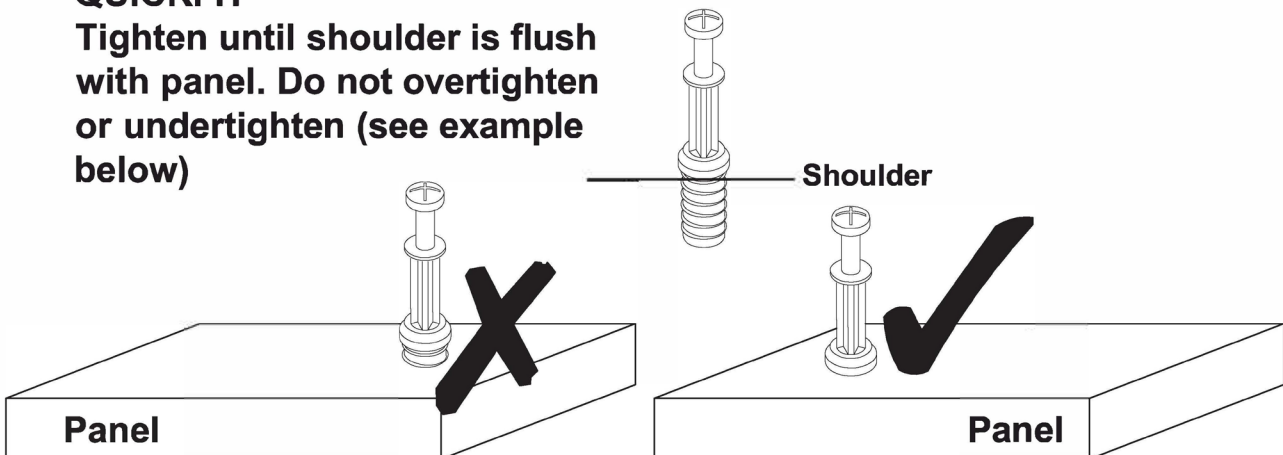
SPECIAL TIPS FOR FITTING CAM-LOCKS AND QUICKFIT



Quickfit head needs to be in centre

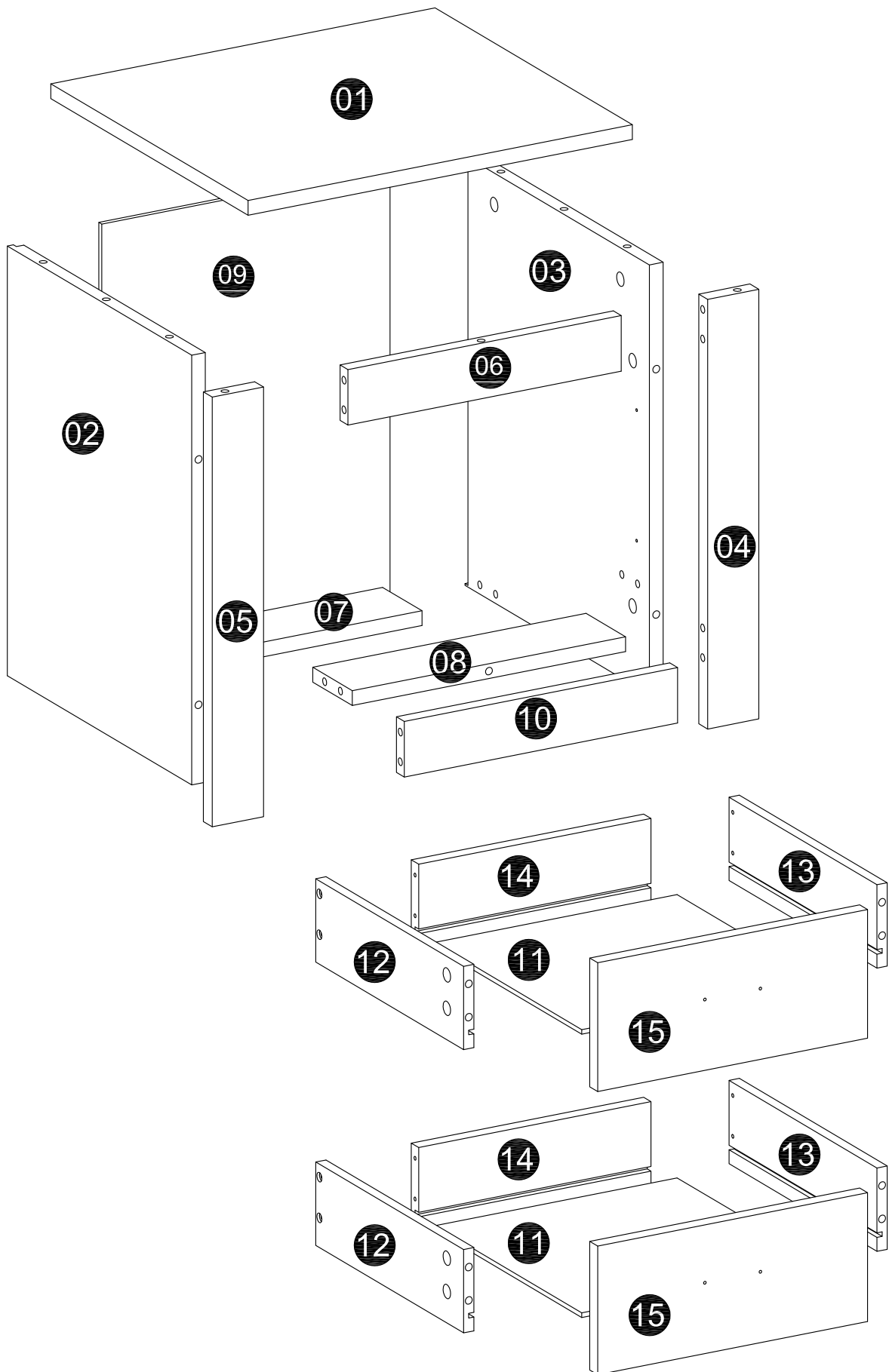
QUICKFIT

Tighten until shoulder is flush with panel. Do not overtighten or undertighten (see example below)



If you are unhappy with the product and wish to return it, please follow the retailer's returns procedure.

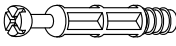
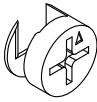





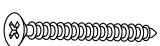


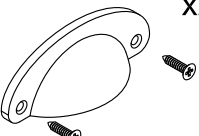
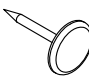
Exploded View



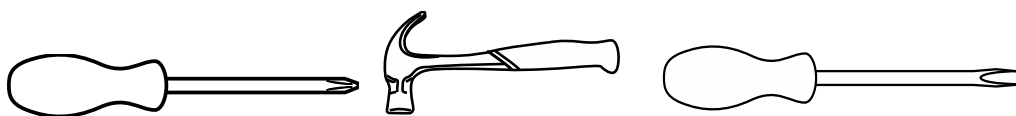
Components - Fixings

Please check that you have all the components listed below before constructing your item.

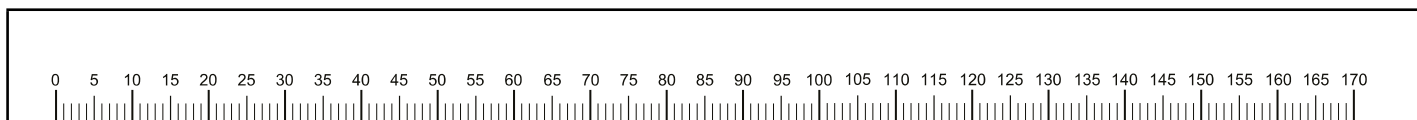
Note: The quantities below are the correct amount to complete the assembly. In some cases more fittings may be supplied than are required.

<p>A Cam dowel x32</p> 	<p>B Lock x32</p> 	<p>C Wood dowel x6</p> 	<p>D Drawer rail x2</p> <p>CR </p> <p>CL </p> <p>DR </p> <p>DL </p>	<p>E Screw x8</p>  <p>Ø3.5*35mm</p>
<p>F Screw x16</p>  <p>Ø3.5*14mm</p>	<p>G Nail x20</p> 	<p>H Handle&screw x2</p> 	<p>I Nail leg x4</p> 	

Tools Required




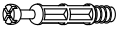
Ruler – Use this to measure your screws (mm)

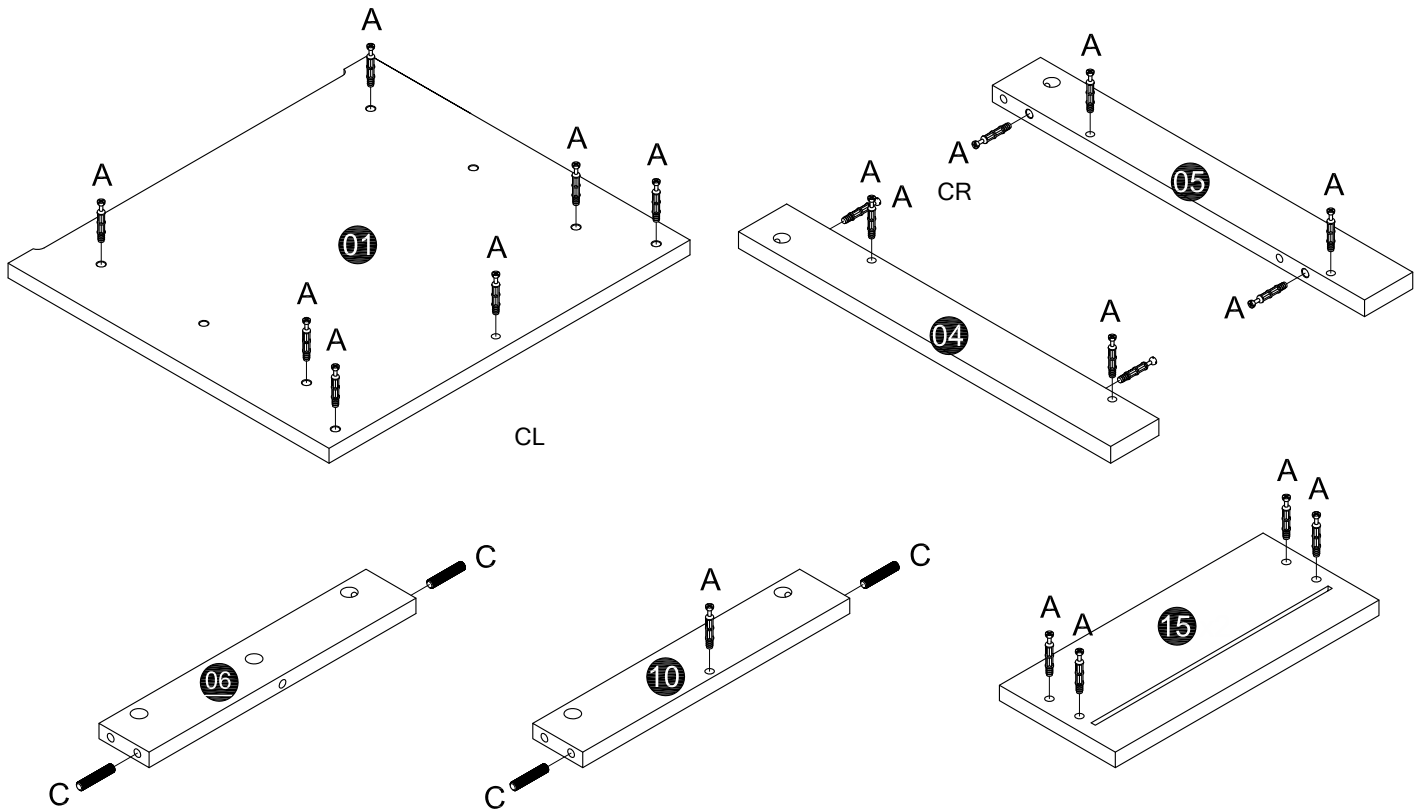


Important – Please read these instructions fully before starting assembly




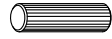

Assembly Instructions

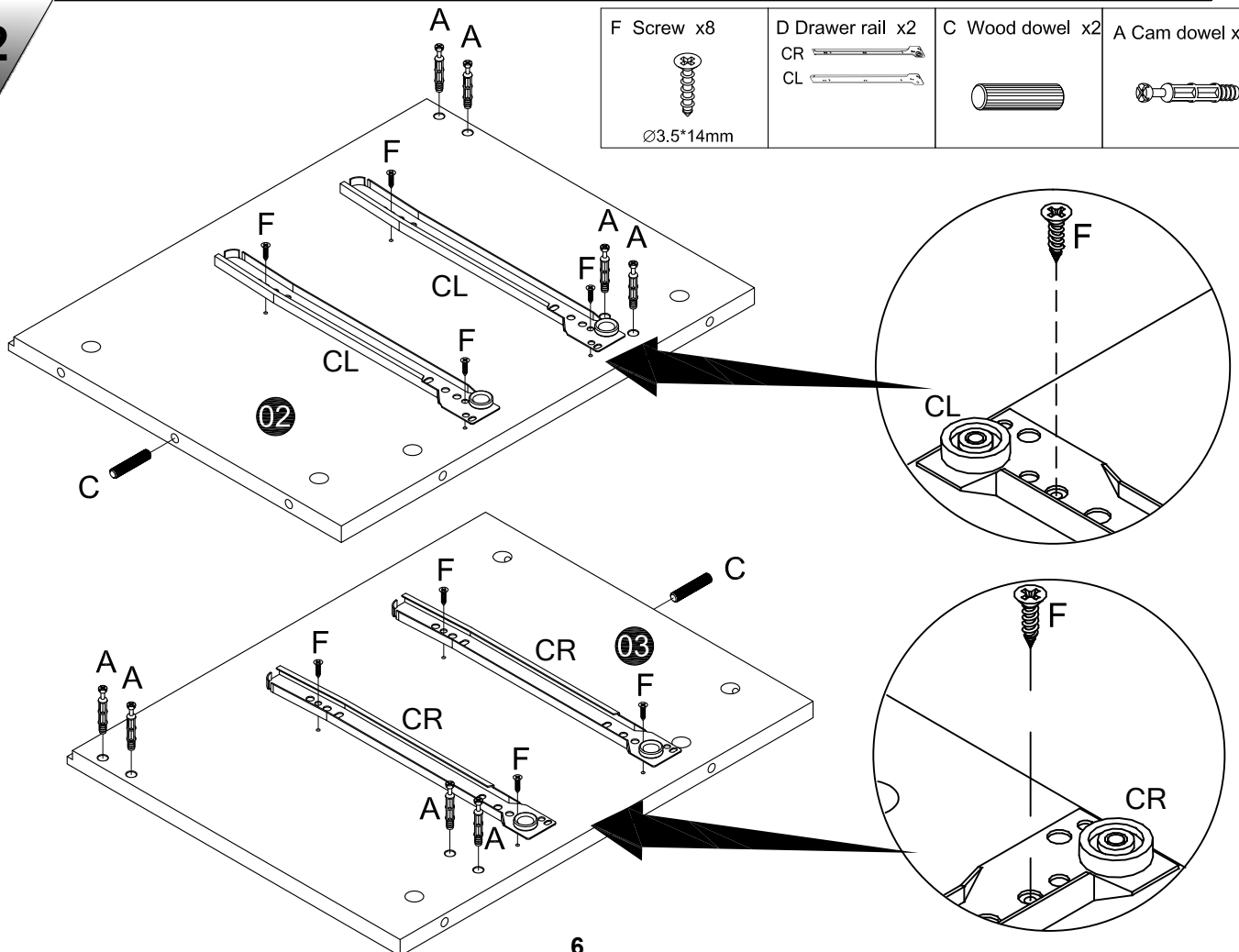
01

C wood dowel x4	A CAM dowel x24
	

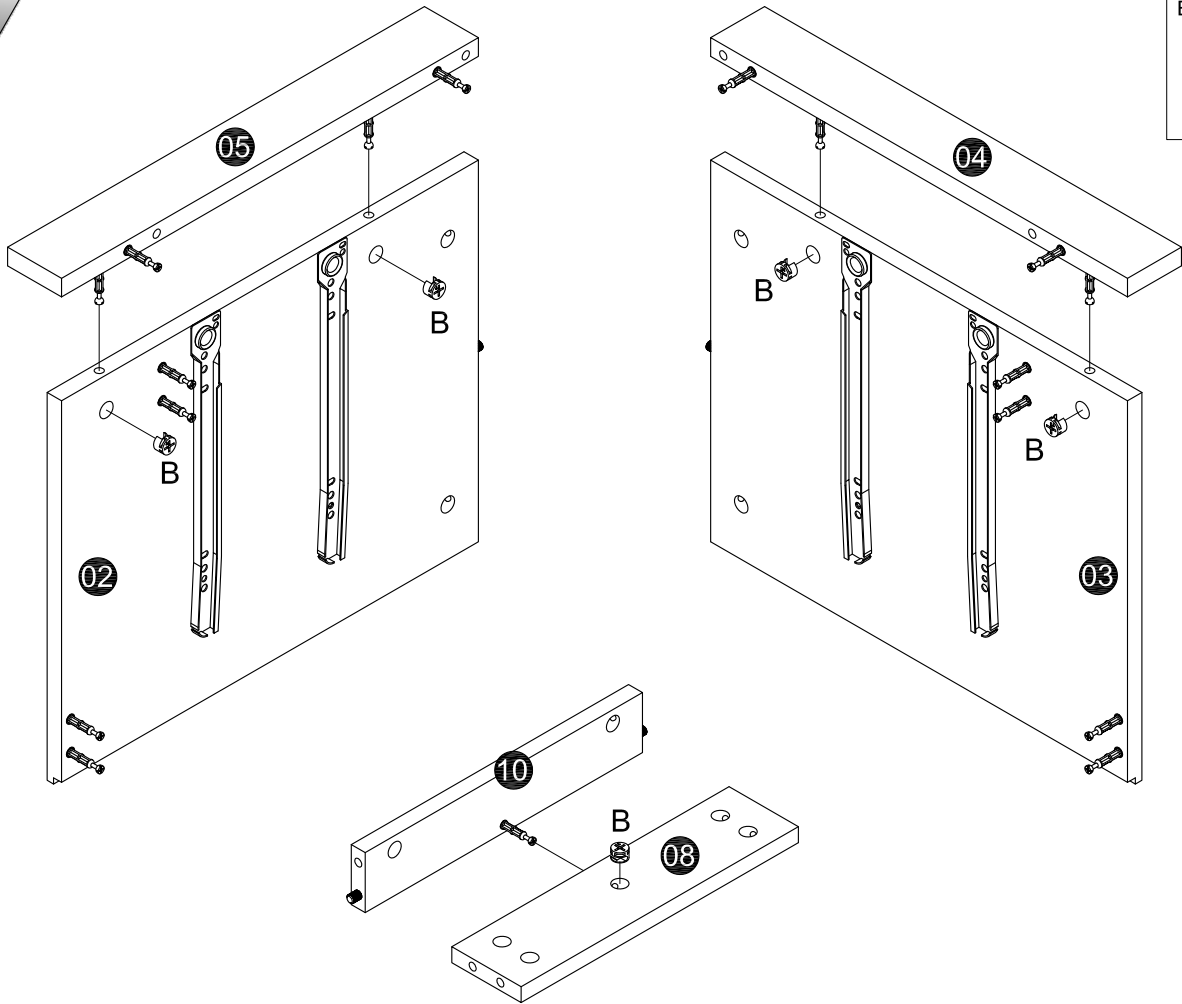


02

F Screw x8  Ø3.5*14mm	D Drawer rail x2 CR  CL 	C Wood dowel x2 	A Cam dowel x8 
--	--	--	---



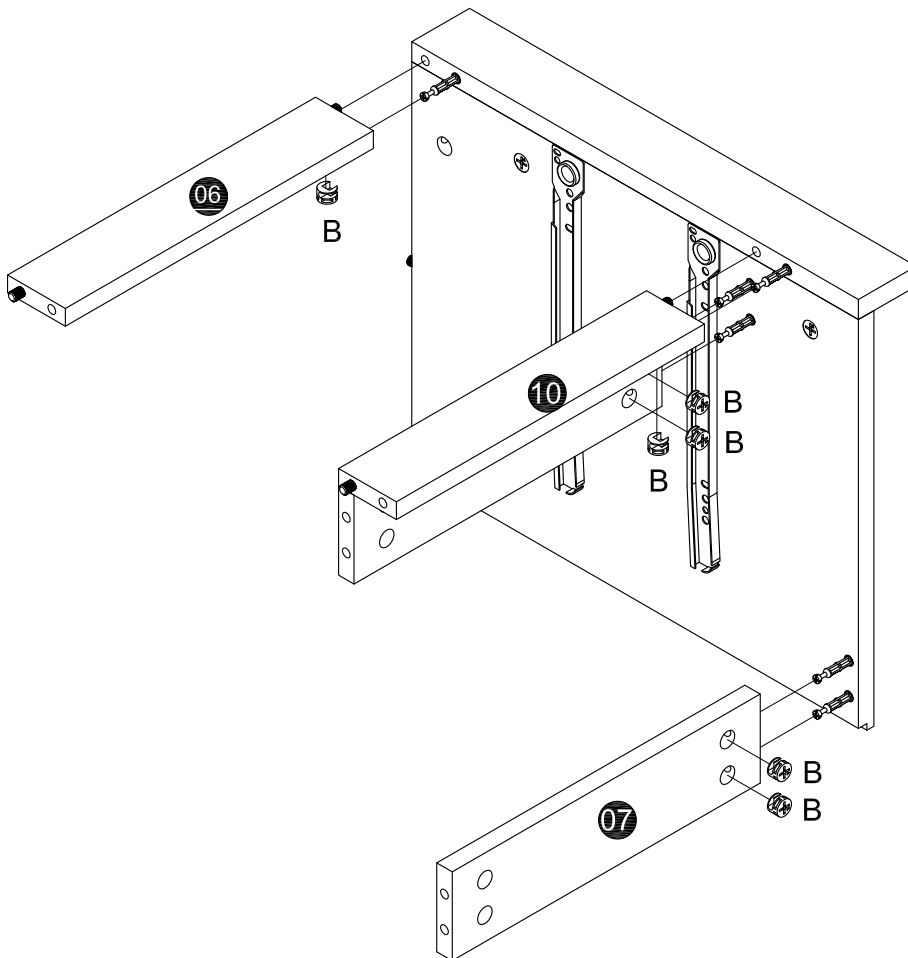
03



B Lock x5



04

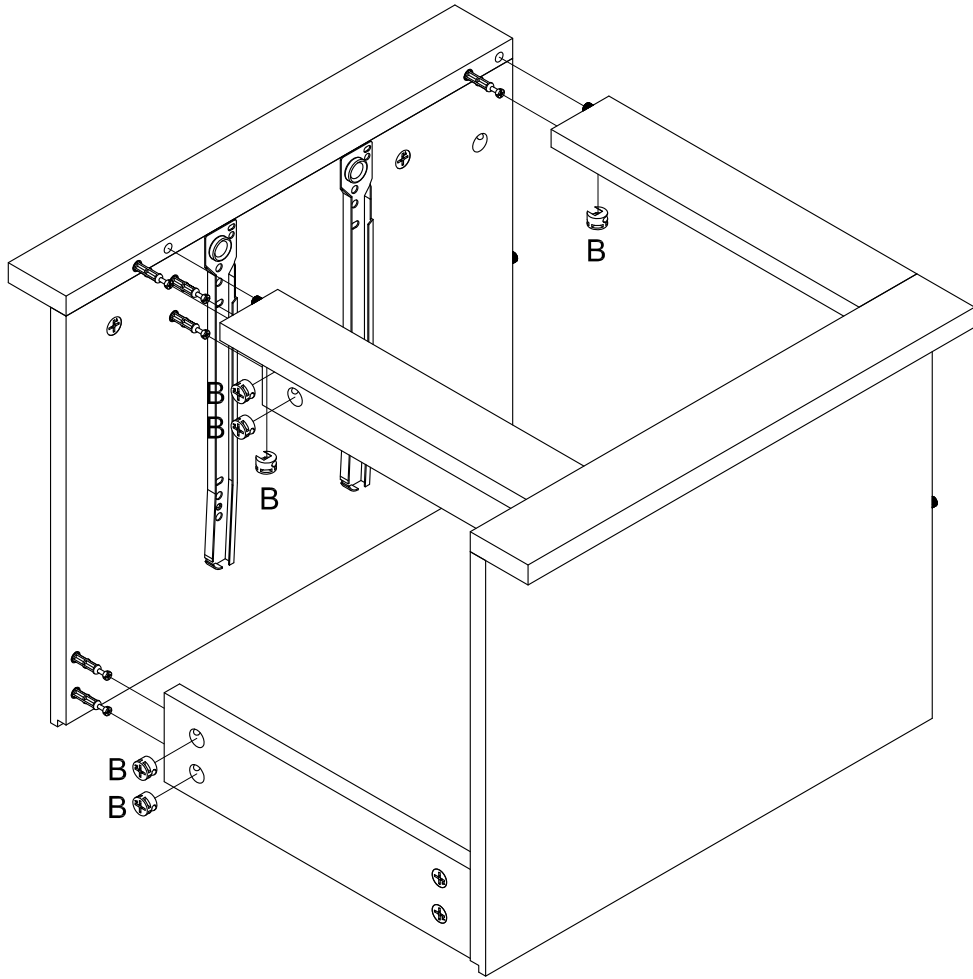


B Lock x6



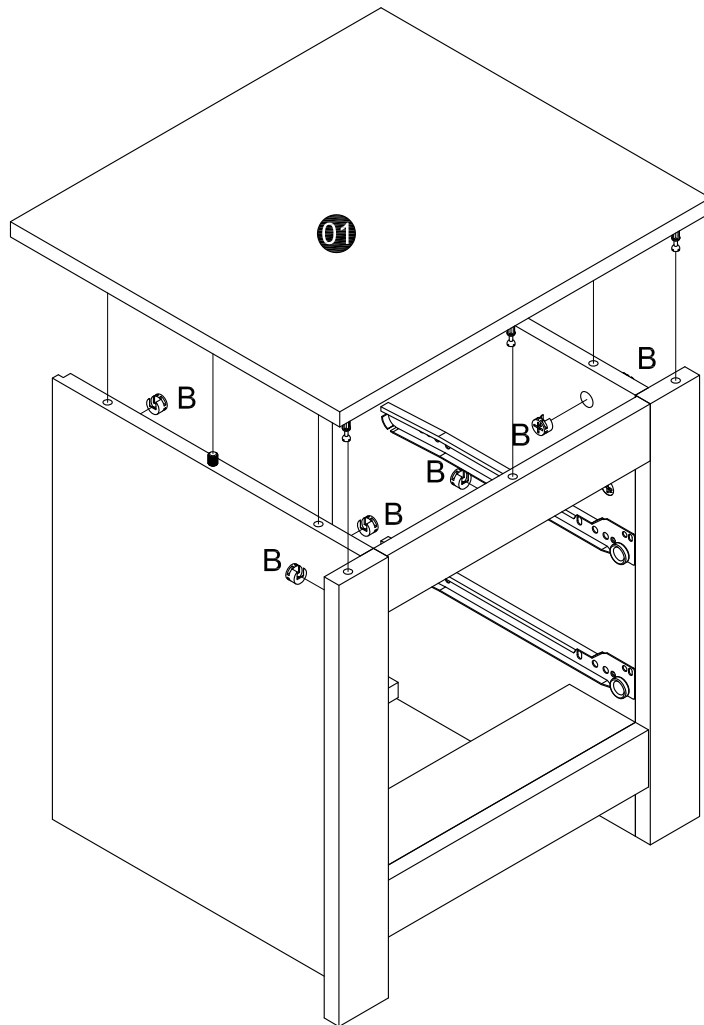
05

B Lock x6

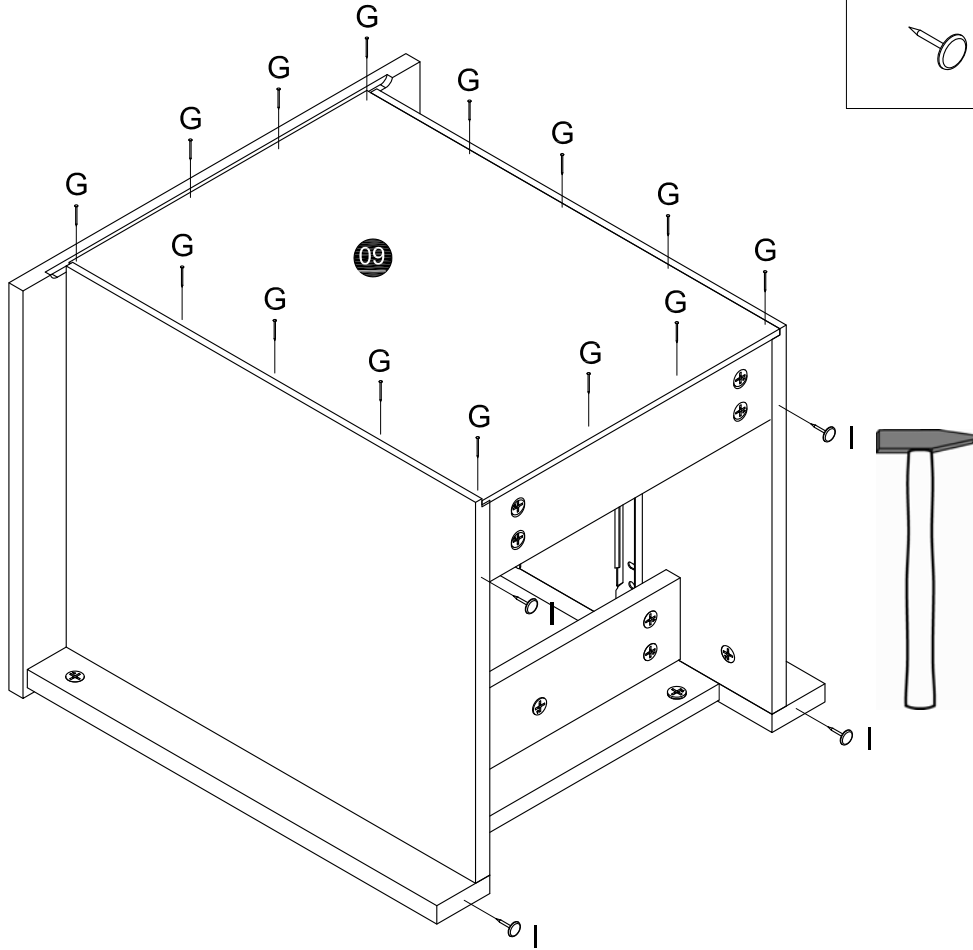




06

B Lock x7

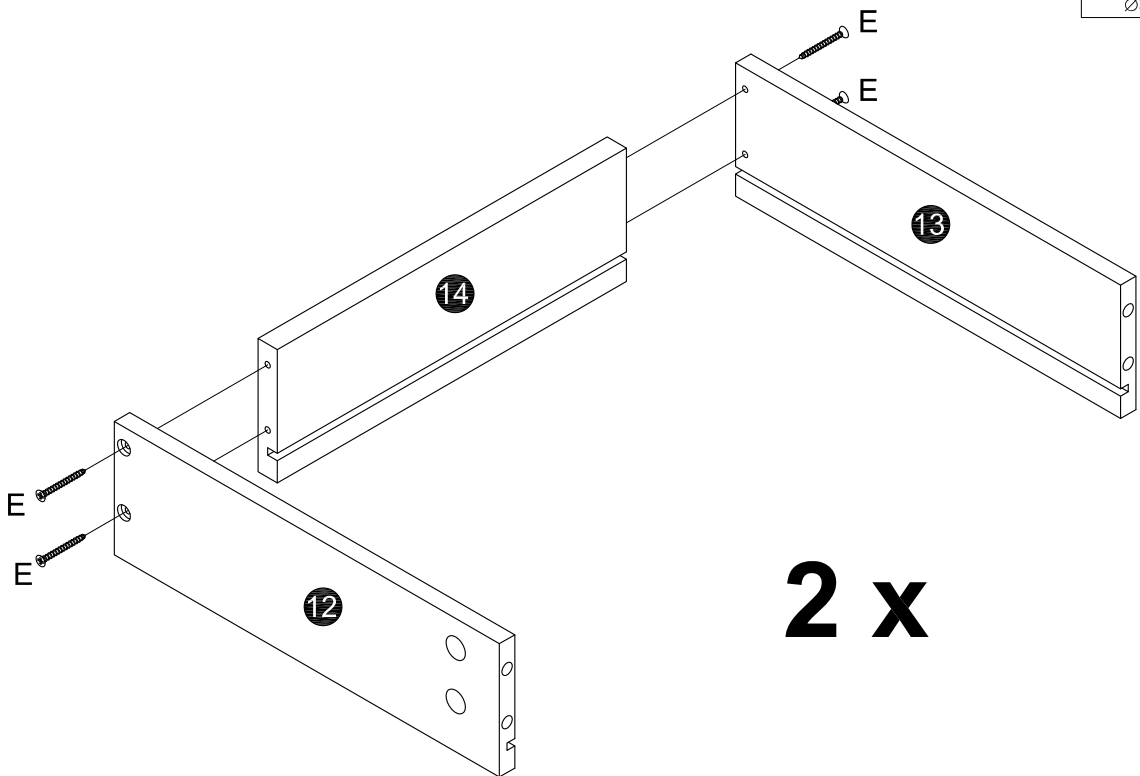



07



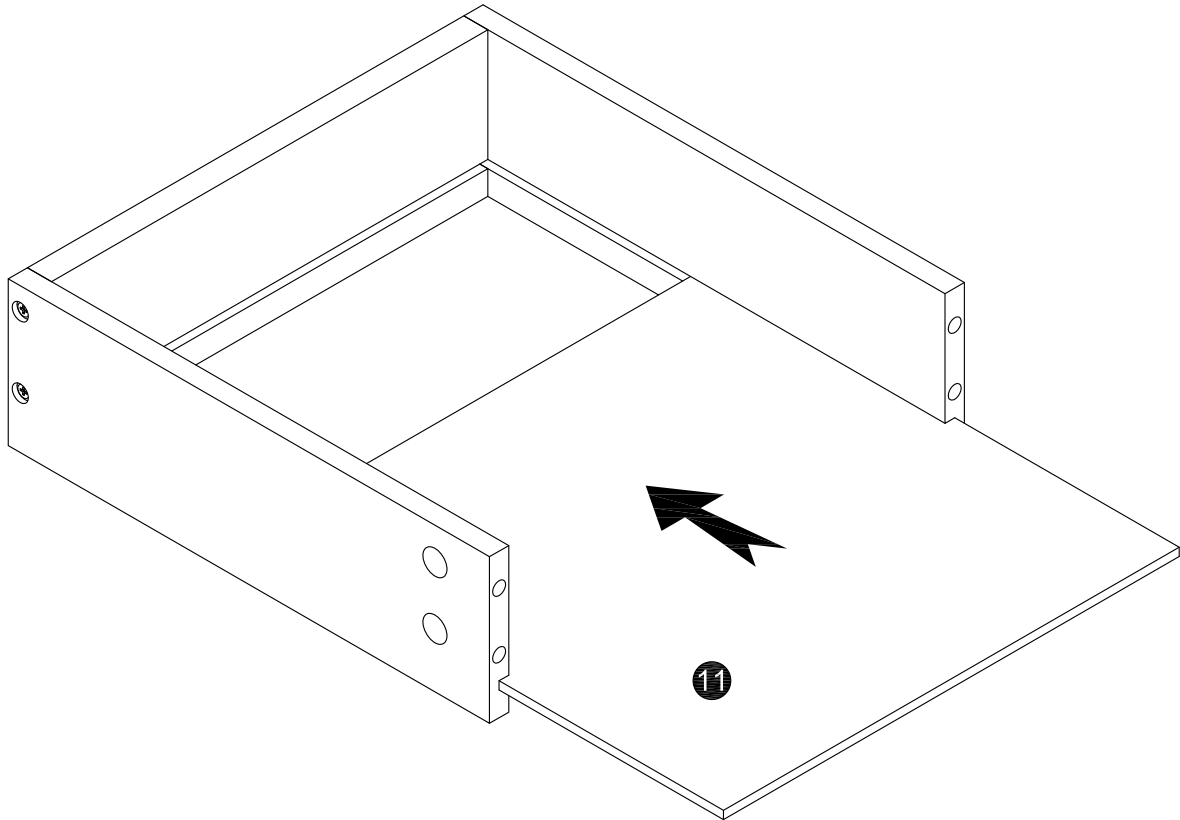
I Nail leg x4	G Nail
	

08



E Screw x8

Ø3.5*35mm

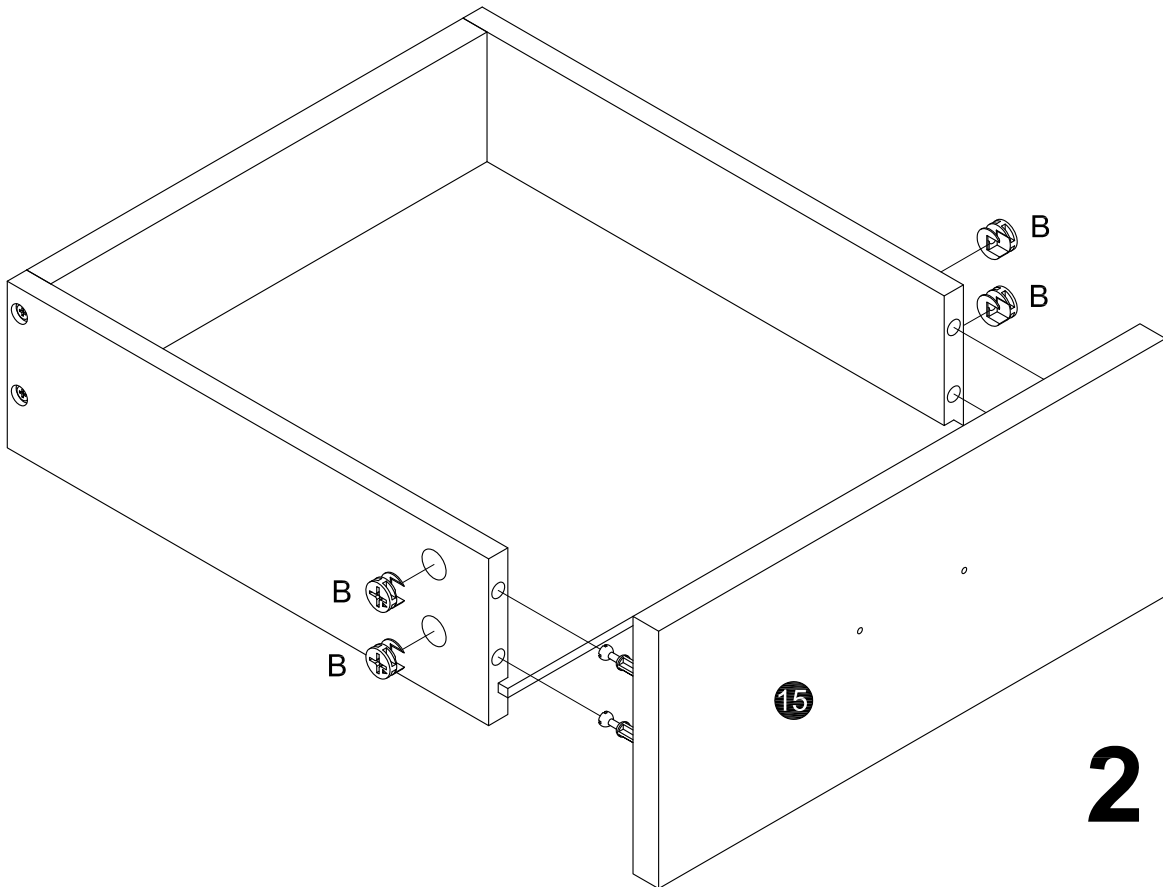
09



2 x

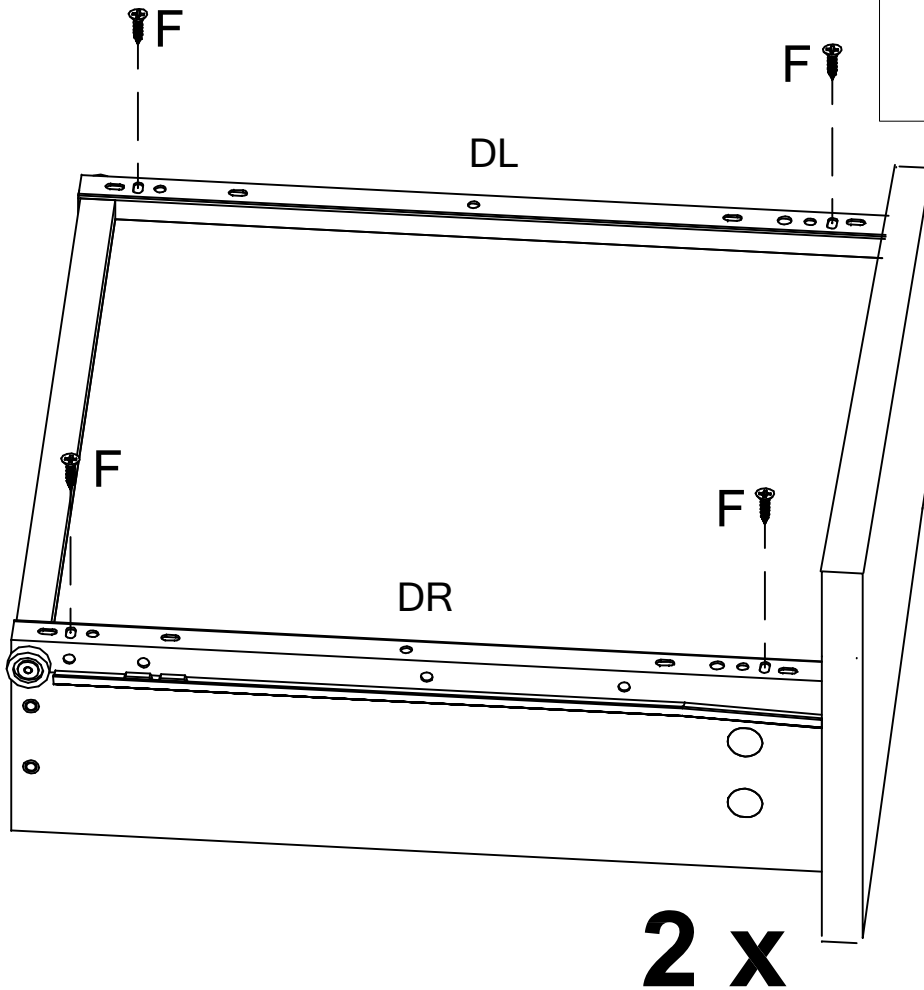
10

B Lock x8

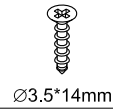


2 x

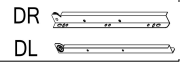
11



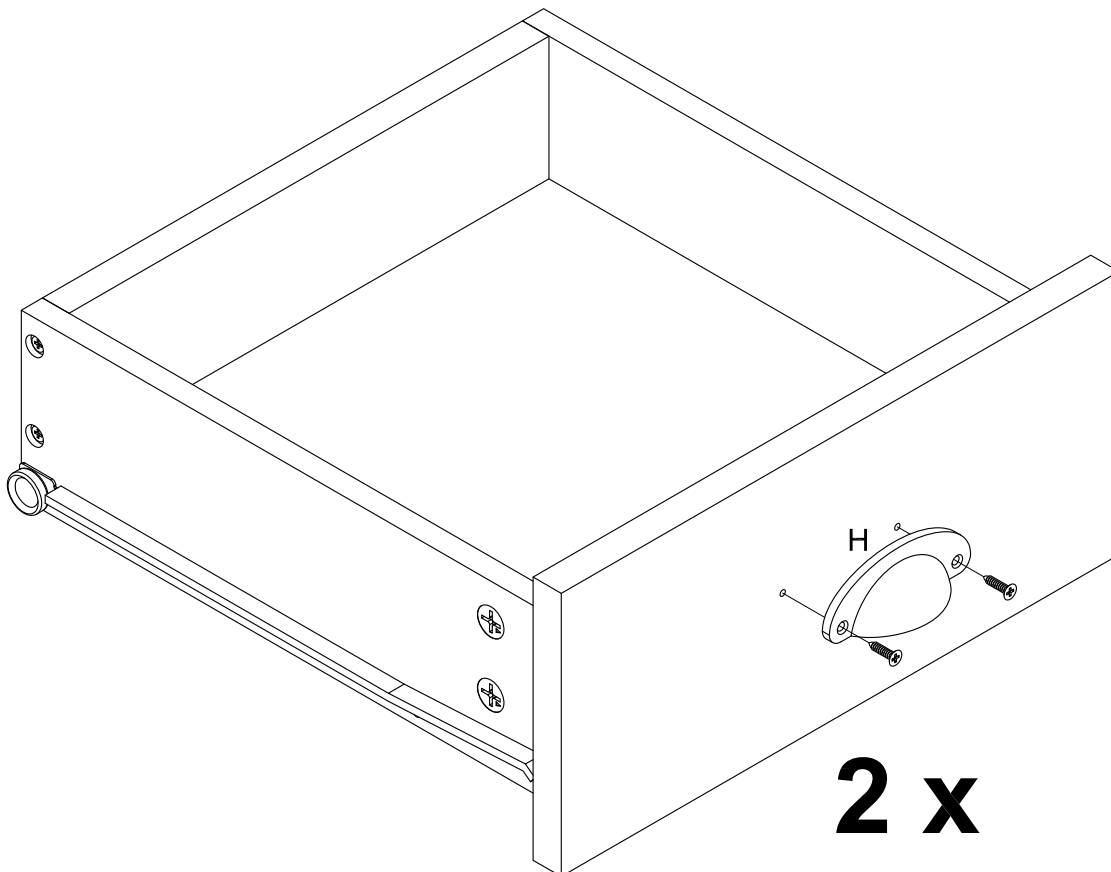
F Screw x8



D Drawer rail x2



12



H Handle&screw
x2

