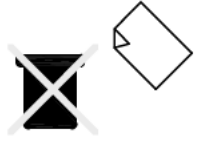


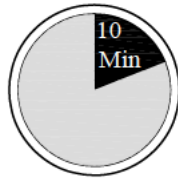
# HINTS & TIPS



# Assembly Instruction

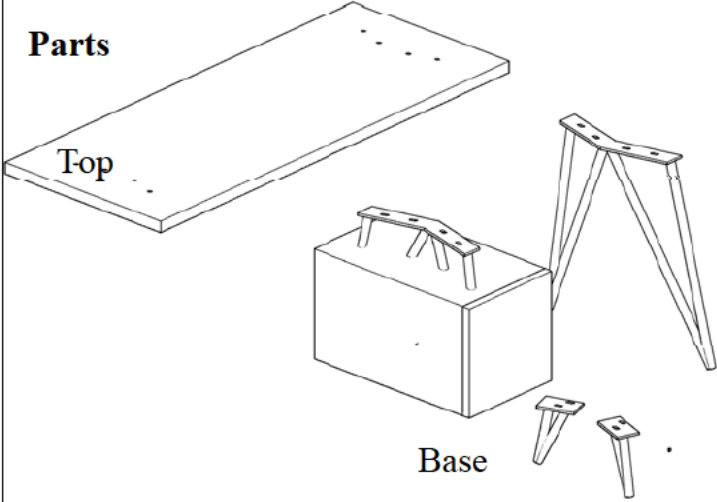



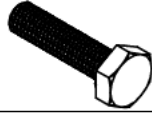
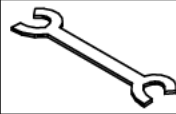
Please retain this assembly instruction for future use.



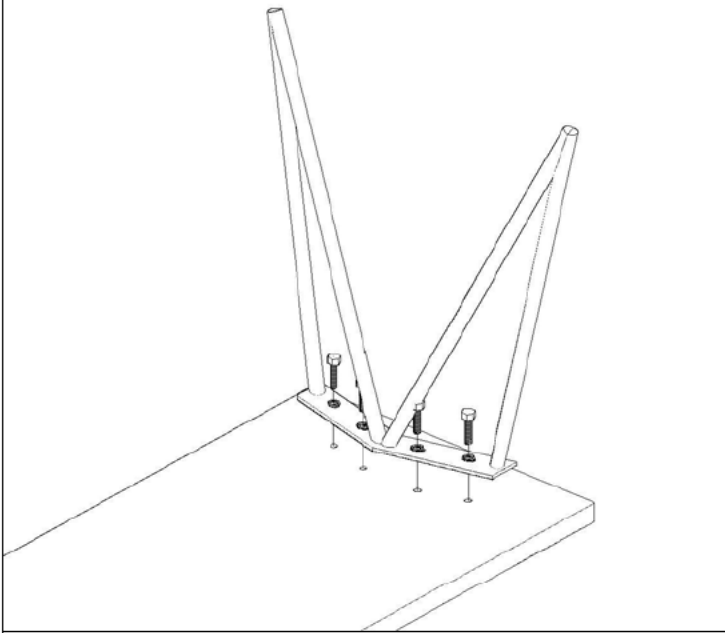
This assembly requires two people

## Parts

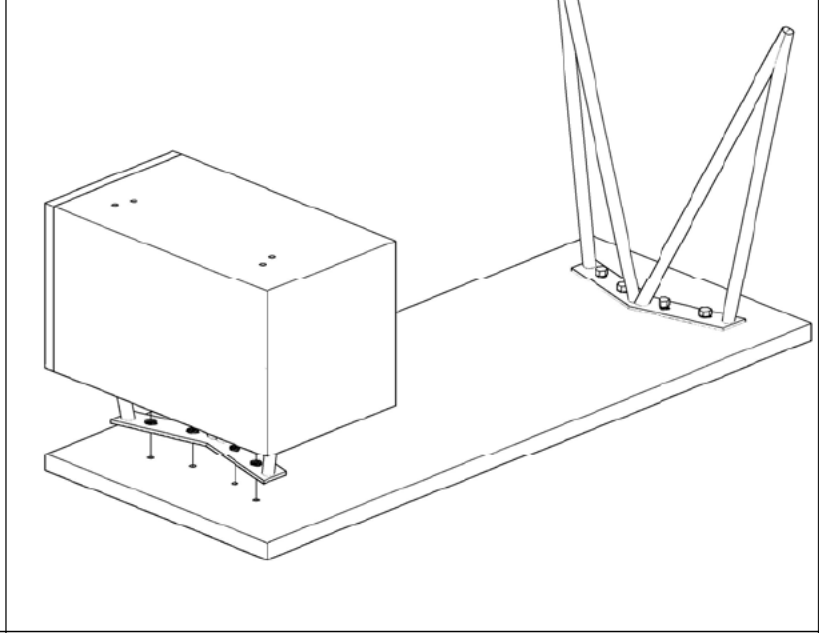


Code	Description	Qty
1	 Flat Washer	12
2	 Bolt	12
3	 Wrench	01

## Step 1.



## Step 2.



## Step 3.

