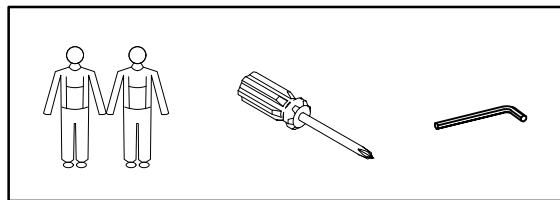
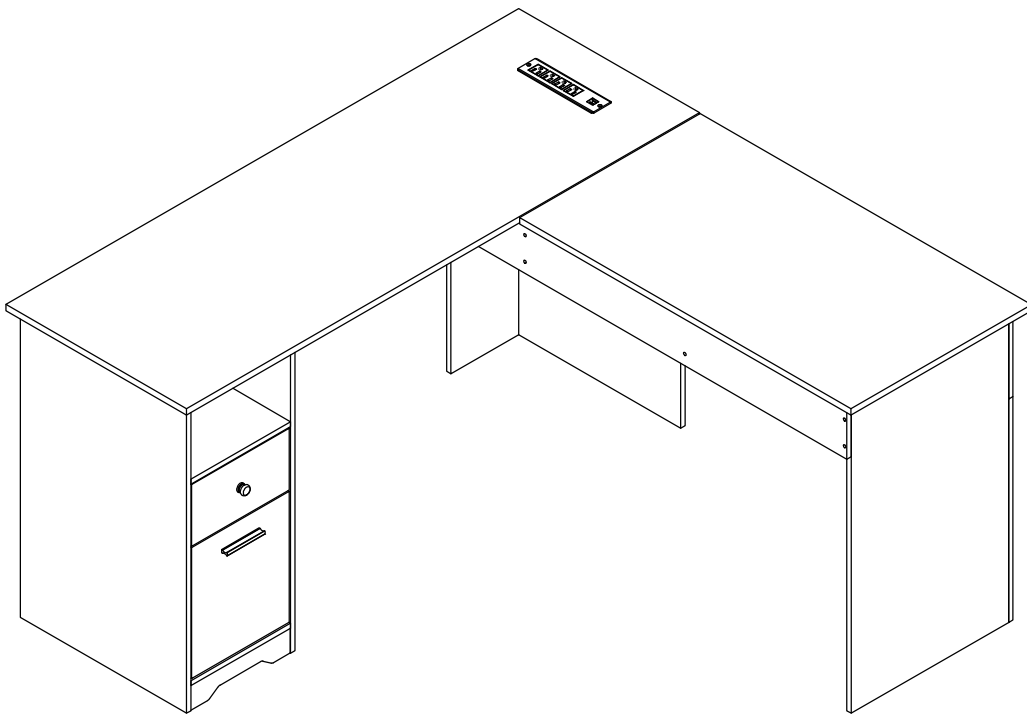


# ***L Shaped Desk with Lift Top***

## ASSEMBLY INSTRUCTION



### **CAUTION**

Put the screws in loosely until all pieces are together and then tighten them all.  
It will save your time if you make a mistake while installing.

Dear Customers,

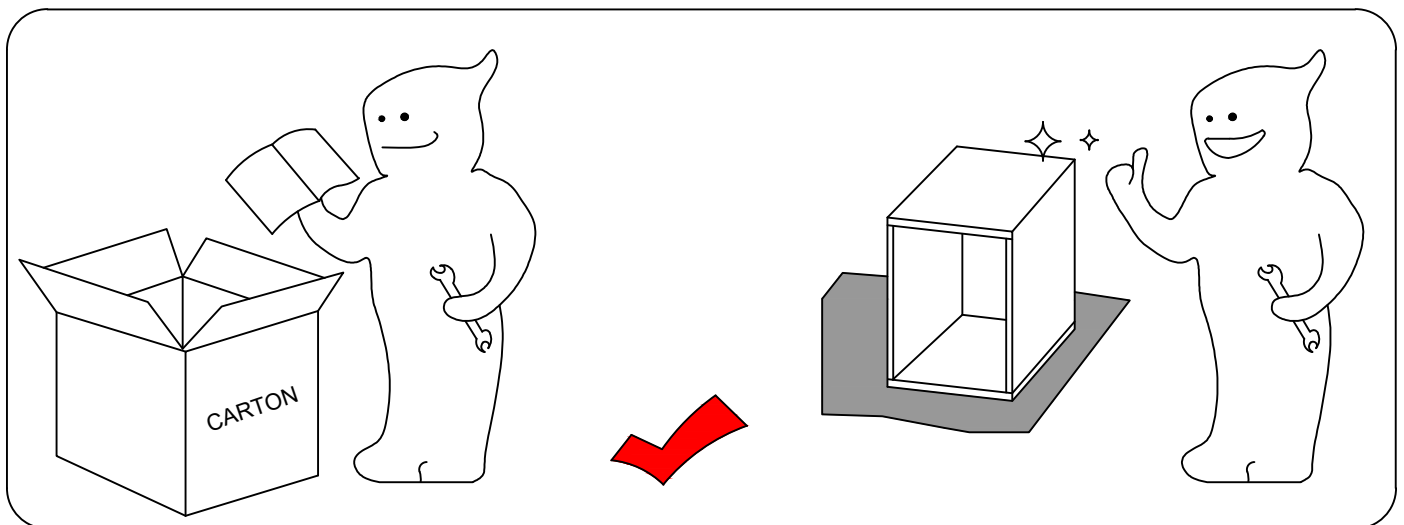
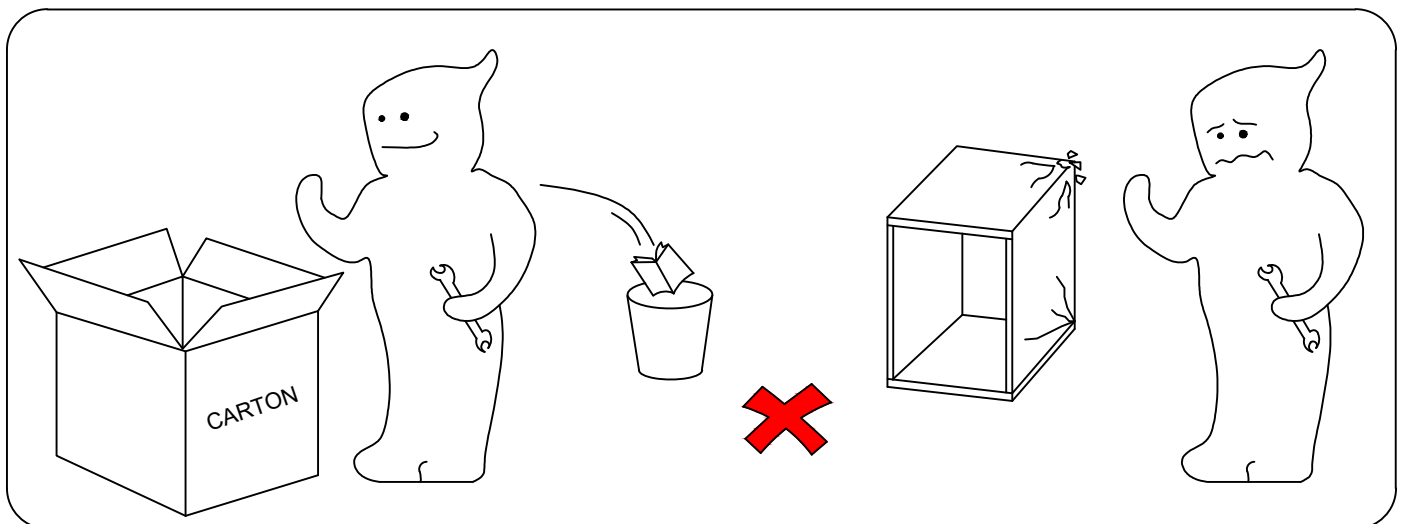
## Thank you for purchasing our products.

As a reliable seller, we have been pursuing to provide customers with 100% satisfied products and services, so we hope that you will enjoy this shopping experience.

If you find any damage, missing parts, or dissatisfaction after receiving the product, please contact us freely at the first time. We will provide you with a 100% satisfactory solution.



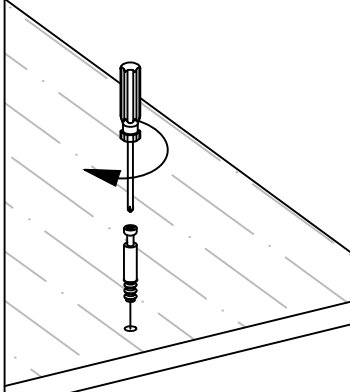
Please follow the instruction manuals and use a pad to protect the product during your assembly.



# Using Camlocks

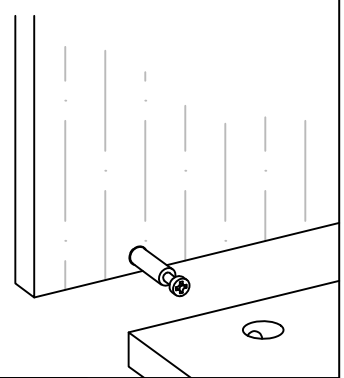
Connect the male camlock as directed in the assembly instructions using a screwdriver.

**1** DO NOT OVER TIGHTEN



Push the male camlock into the entry hole.

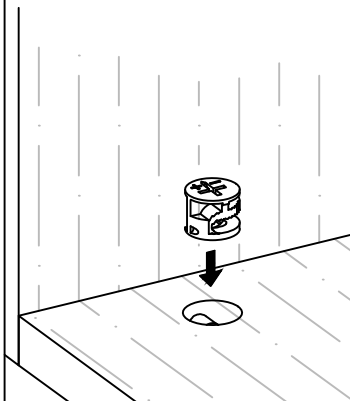
**2**



Insert the female camlock as shown in the instruction.

Note: ensure that the arrow on the top of the camlock points toward the entry hole for the male camlock.

**3**

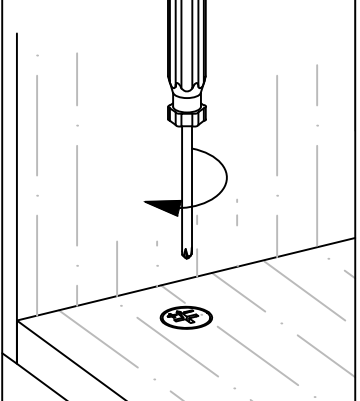


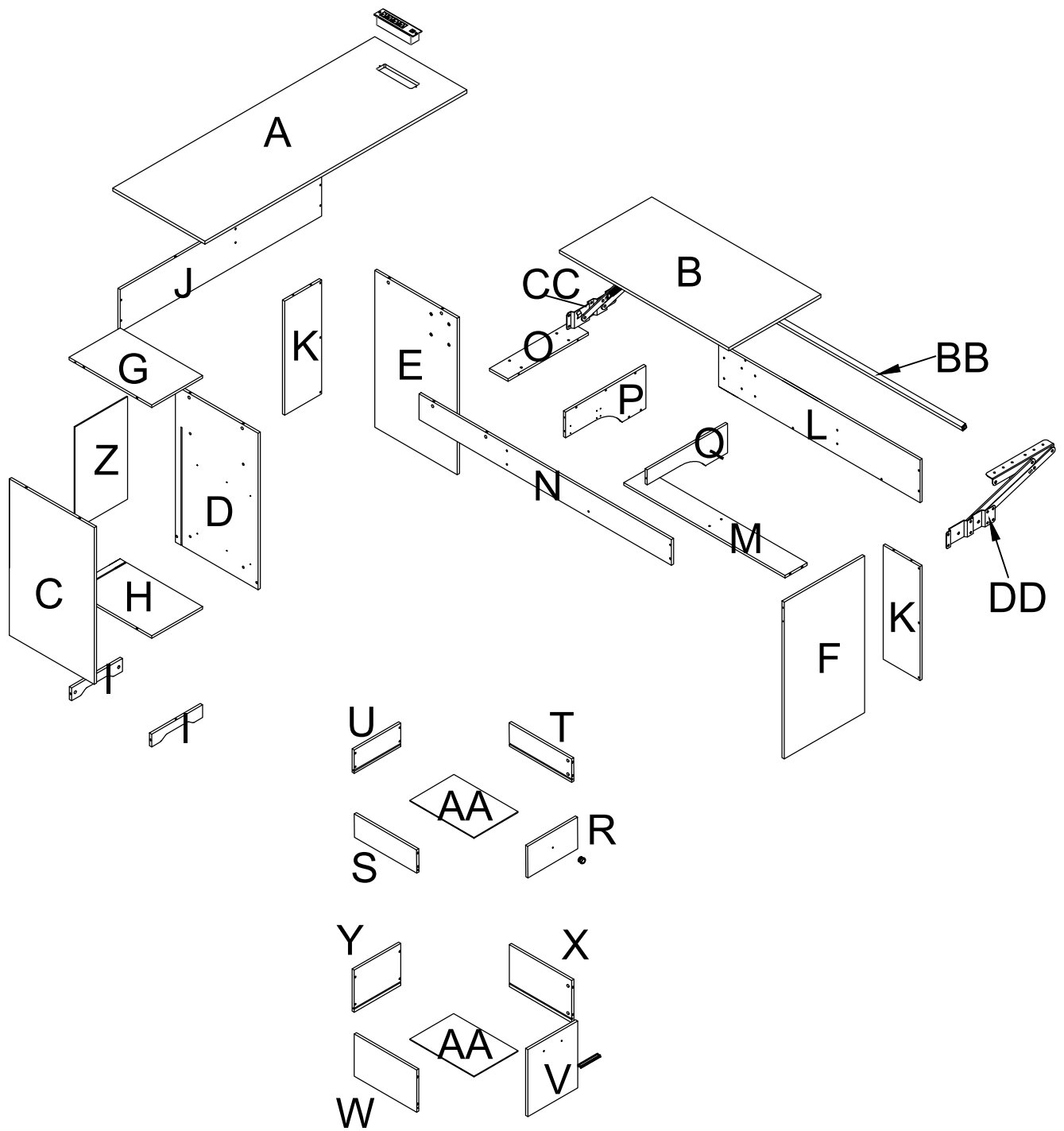
Turn the female camlock clockwise with a screwdriver.

You should feel a click when the camlock is locked in place.

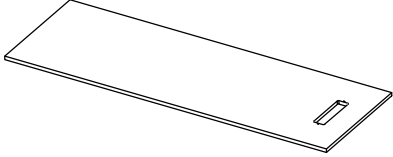
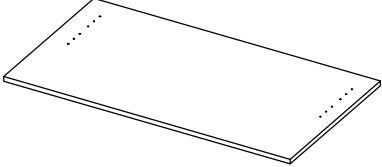
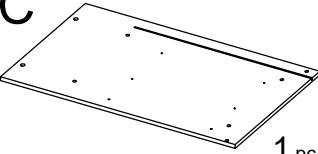
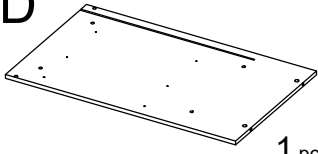
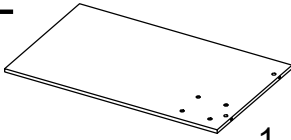
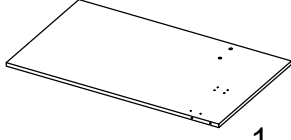
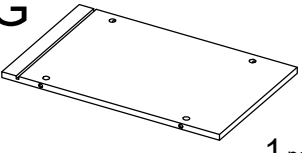
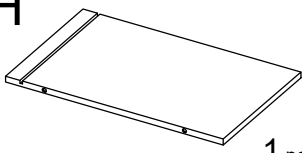
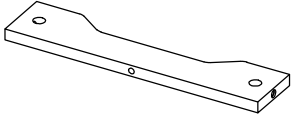
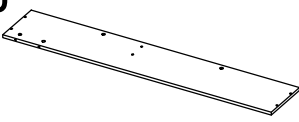
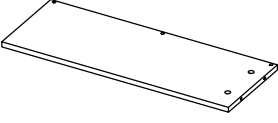
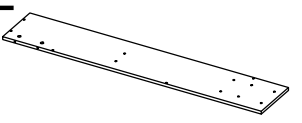
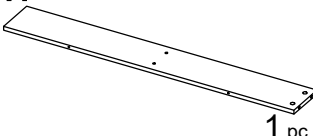
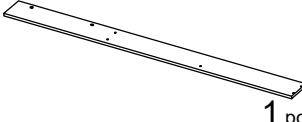
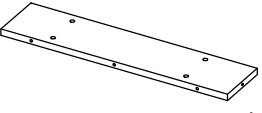
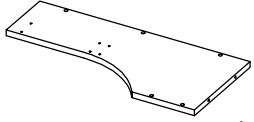
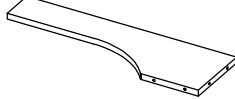
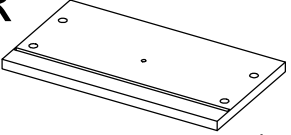
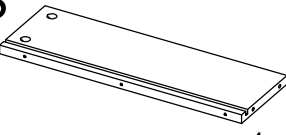
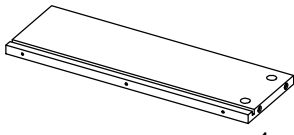
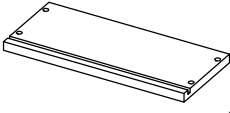
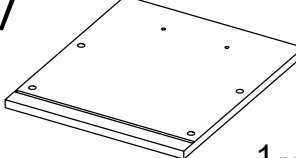
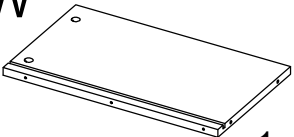
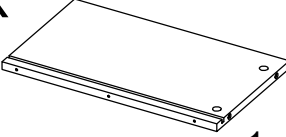
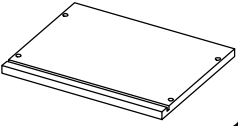
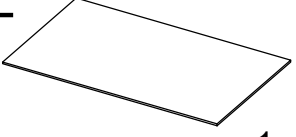
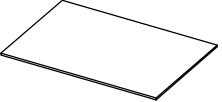

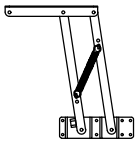
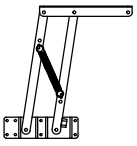
The joint is now secure.

**4**

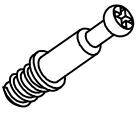

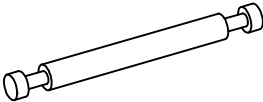
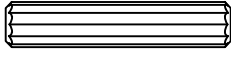




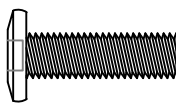
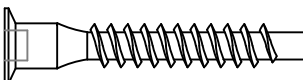

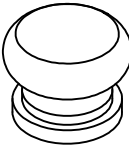
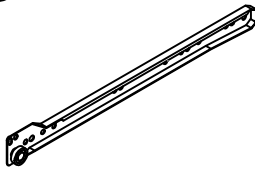
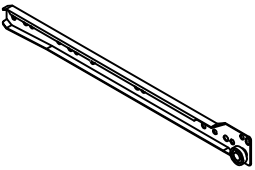
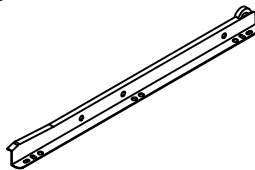
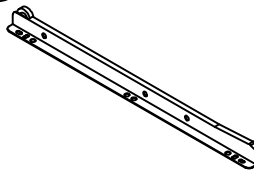
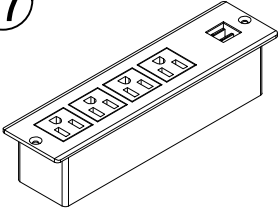

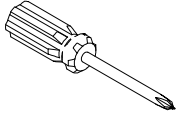
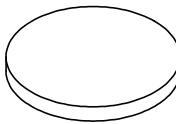
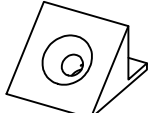
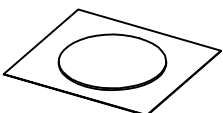




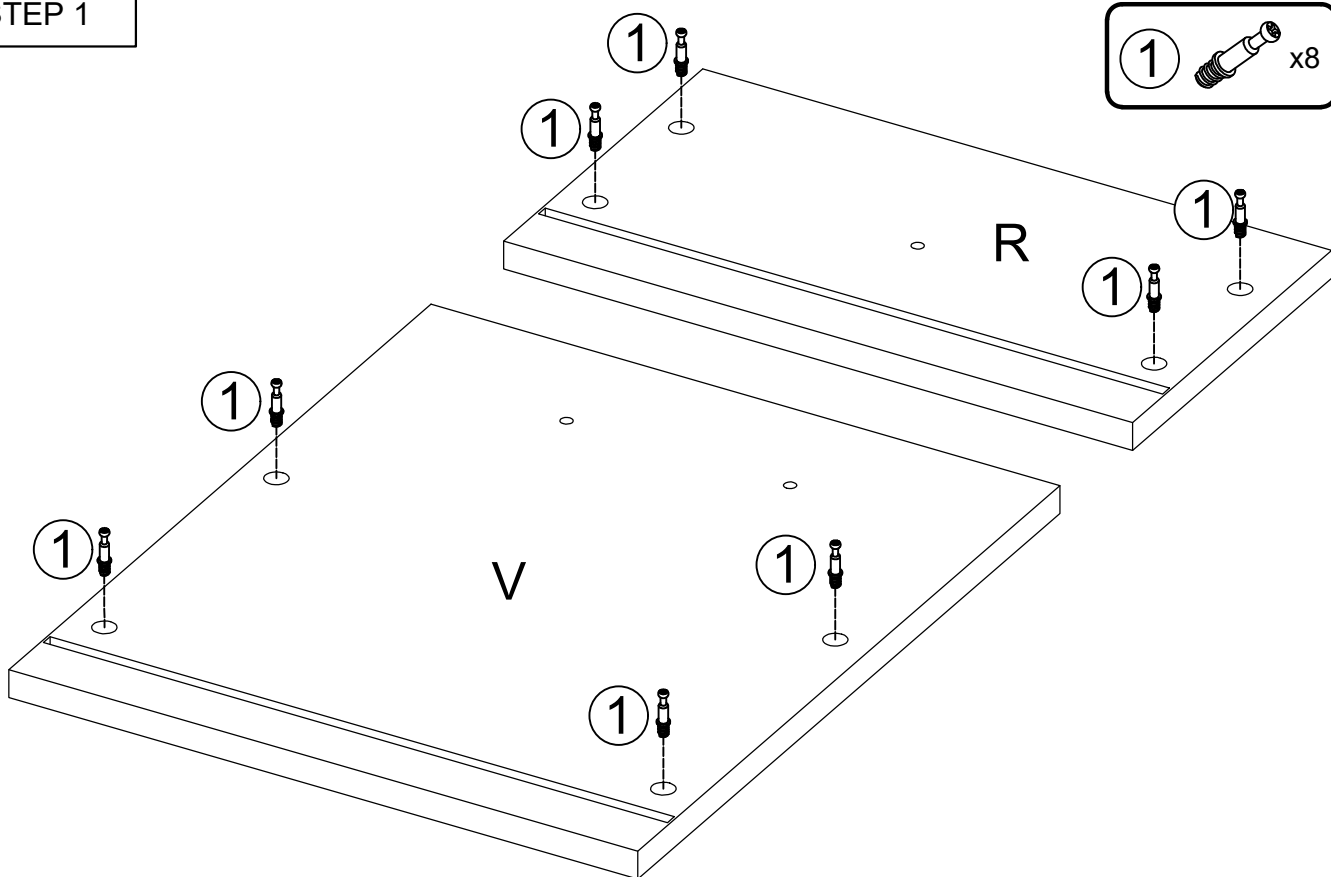
PART LIST

<p><b>A</b></p>  <p>1 pc</p>	<p><b>B</b></p>  <p>1 pc</p>		
<p><b>C</b></p>  <p>1 pc</p>	<p><b>D</b></p>  <p>1 pc</p>	<p><b>E</b></p>  <p>1 pc</p>	<p><b>F</b></p>  <p>1 pc</p>
<p><b>G</b></p>  <p>1 pc</p>	<p><b>H</b></p>  <p>1 pc</p>	<p><b>I</b></p>  <p>2 pcs</p>	<p><b>J</b></p>  <p>1 pc</p>
<p><b>K</b></p>  <p>2 pcs</p>	<p><b>L</b></p>  <p>1 pc</p>	<p><b>M</b></p>  <p>1 pc</p>	<p><b>N</b></p>  <p>1 pc</p>
<p><b>O</b></p>  <p>1 pc</p>	<p><b>P</b></p>  <p>1 pc</p>	<p><b>Q</b></p>  <p>1 pc</p>	<p><b>R</b></p>  <p>1 pc</p>
<p><b>S</b></p>  <p>1 pc</p>	<p><b>T</b></p>  <p>1 pc</p>	<p><b>U</b></p>  <p>1 pc</p>	<p><b>V</b></p>  <p>1 pc</p>
<p><b>W</b></p>  <p>1 pc</p>	<p><b>X</b></p>  <p>1 pc</p>	<p><b>Y</b></p>  <p>1 pc</p>	<p><b>Z</b></p>  <p>1 pc</p>
<p><b>AA</b></p>  <p>2 pcs</p>	<p><b>BB</b></p>  <p>1 pc</p>	<p><b>CC</b></p>  <p>1 pc</p>	<p><b>DD</b></p>  <p>1 pc</p>

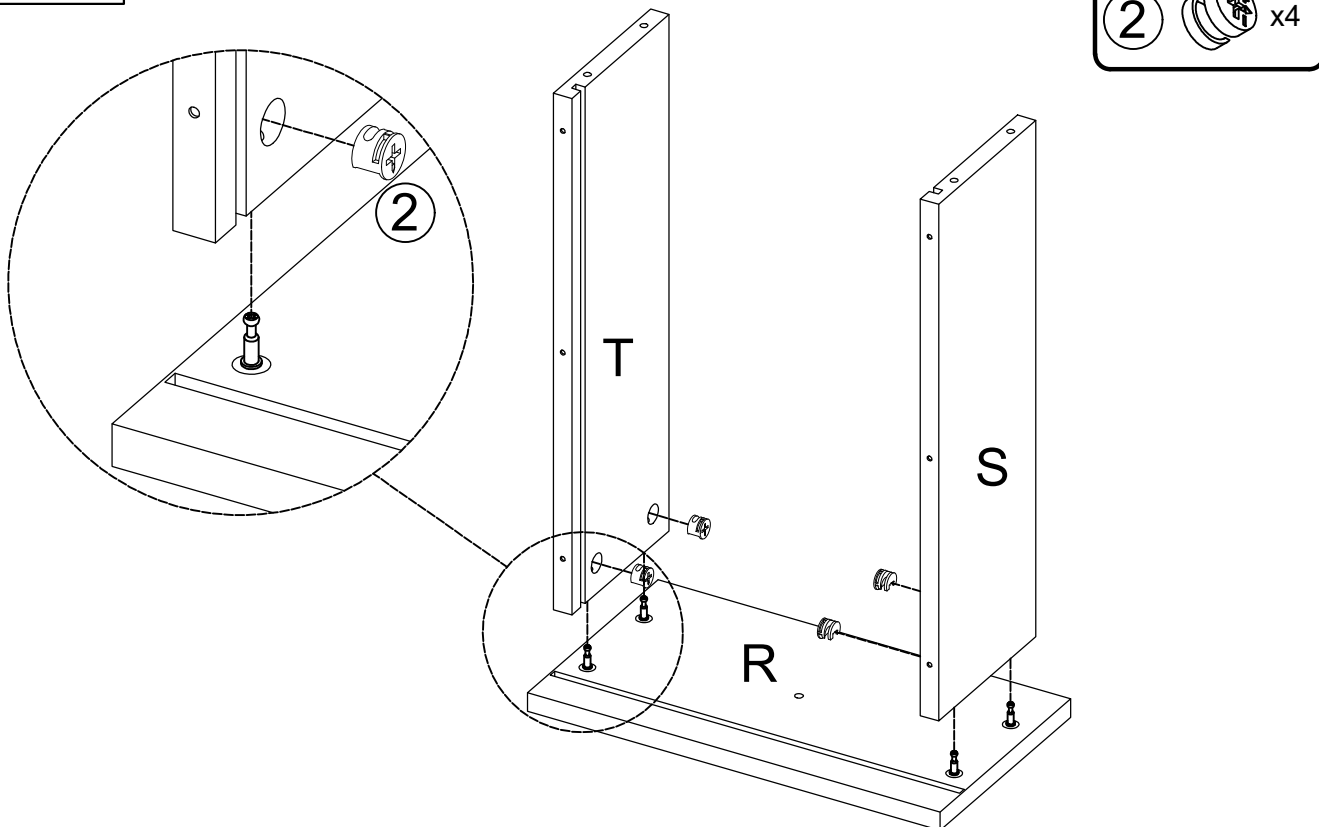
## HARDWARE LIST

<p>①</p>  <p>M6x28      32 pcs</p>	<p>②</p>  <p>Ø12      40 pcs</p>	<p>③</p>  <p>Ø5x64      4 pcs</p>	<p>④</p>  <p>Ø6x30      2 pcs</p>
<p>⑤</p>  <p>M3x12      34 pcs</p>	<p>⑥</p>  <p>M4x20      1 pc</p>	<p>⑦</p>  <p>M4x15      2 pcs</p>	<p>⑧</p>  <p>M4x12      24 pcs</p>
<p>⑨</p>  <p>M6x20      10 pcs</p>	<p>⑩</p>  <p>M6x40      41 pcs</p>	<p>⑪</p>  <p>1 pc</p>	<p>⑫</p>  <p>1 pc</p>
<p>⑬</p>  <p>L350      2 pcs</p>	<p>⑭</p>  <p>L350      2 pcs</p>	<p>⑮</p>  <p>L350      2 pcs</p>	<p>⑯</p>  <p>L350      2 pcs</p>
<p>⑰</p>  <p>1 pc</p>	<p>⑱</p>  <p>M4      1 pc</p>	<p>⑲</p>  <p>1 pc</p>	<p>⑳</p>  <p>Ø10      10 pcs</p>
<p>㉑</p>  <p>8 pcs</p>	<p>㉒</p>  <p>Ø21x0.4      35 pcs</p>		

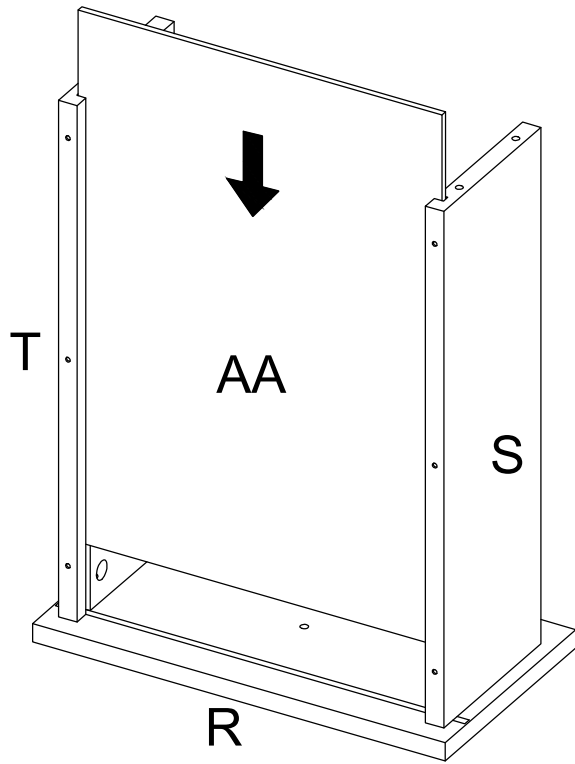
STEP 1



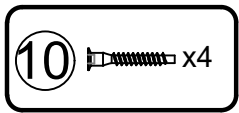
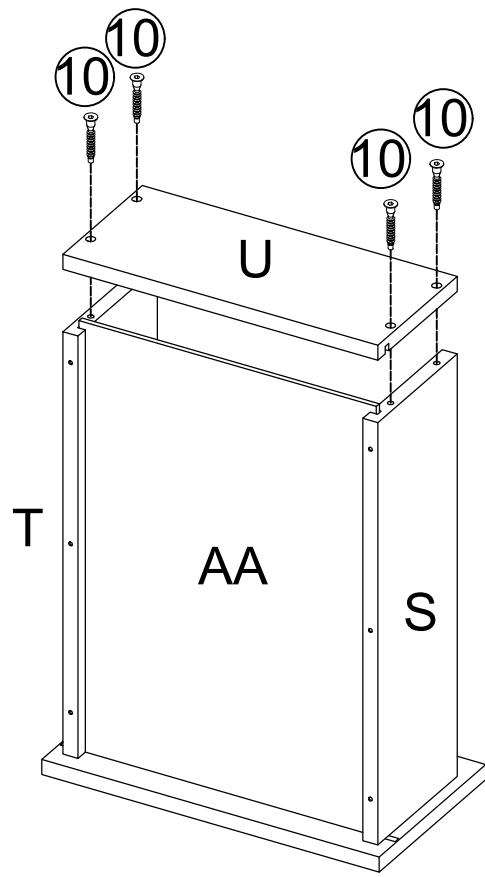
STEP 2



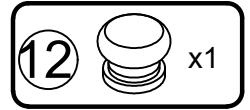
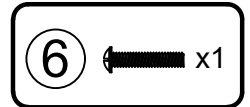
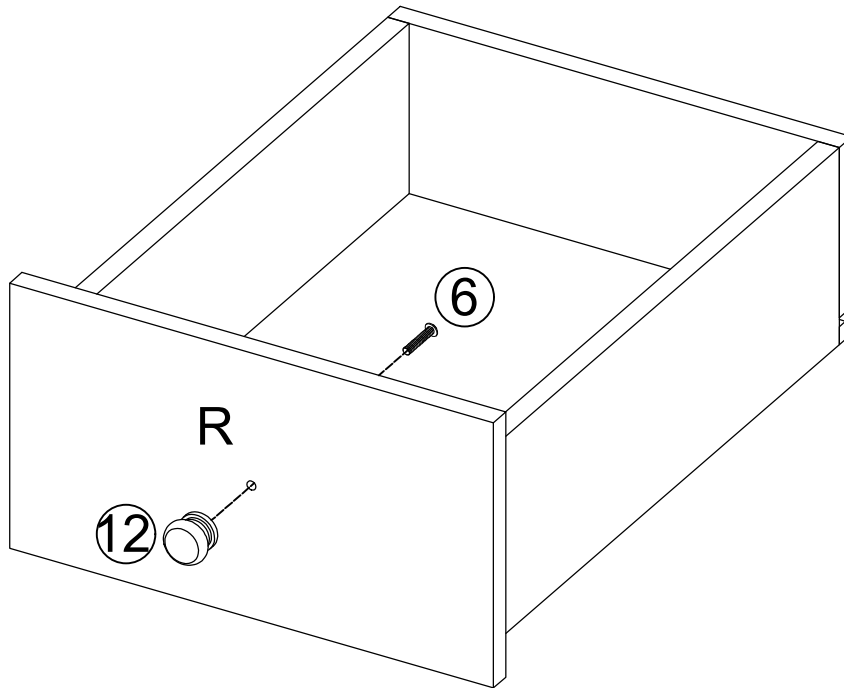
STEP 3



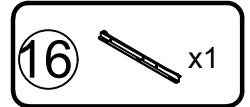
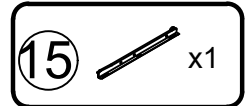
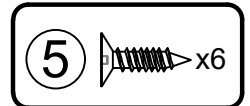
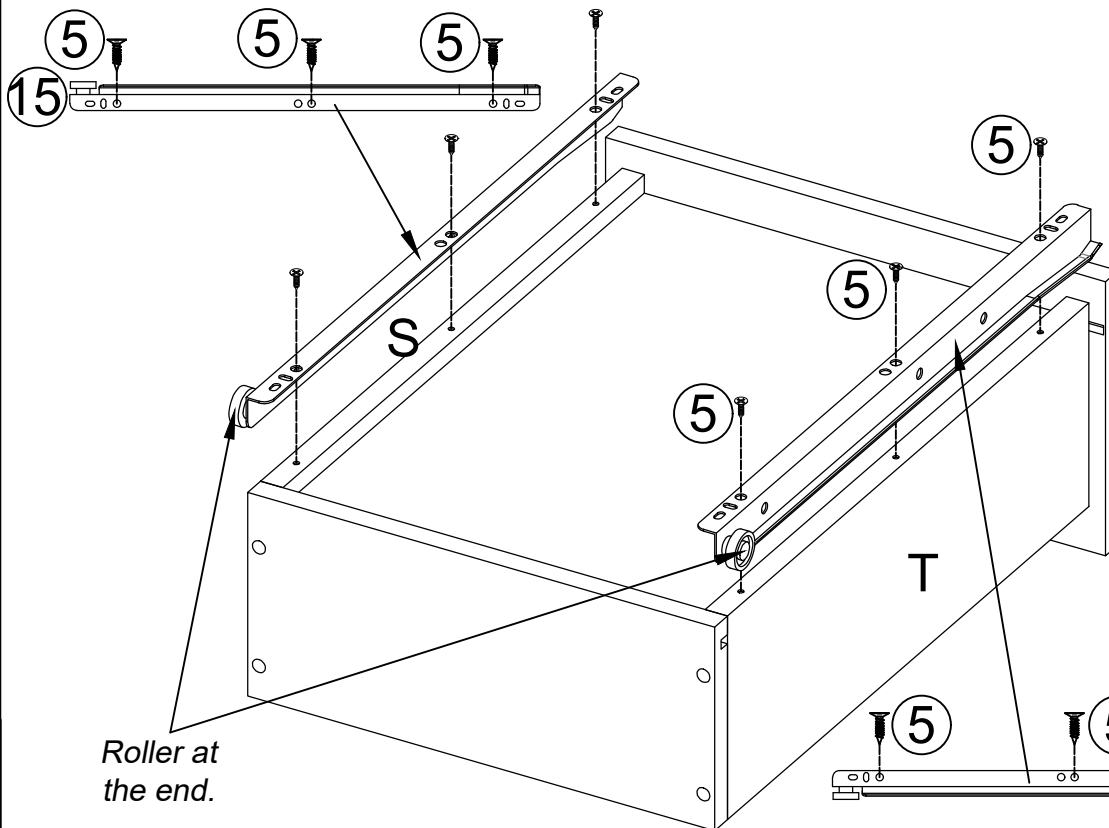
STEP 4



STEP 5

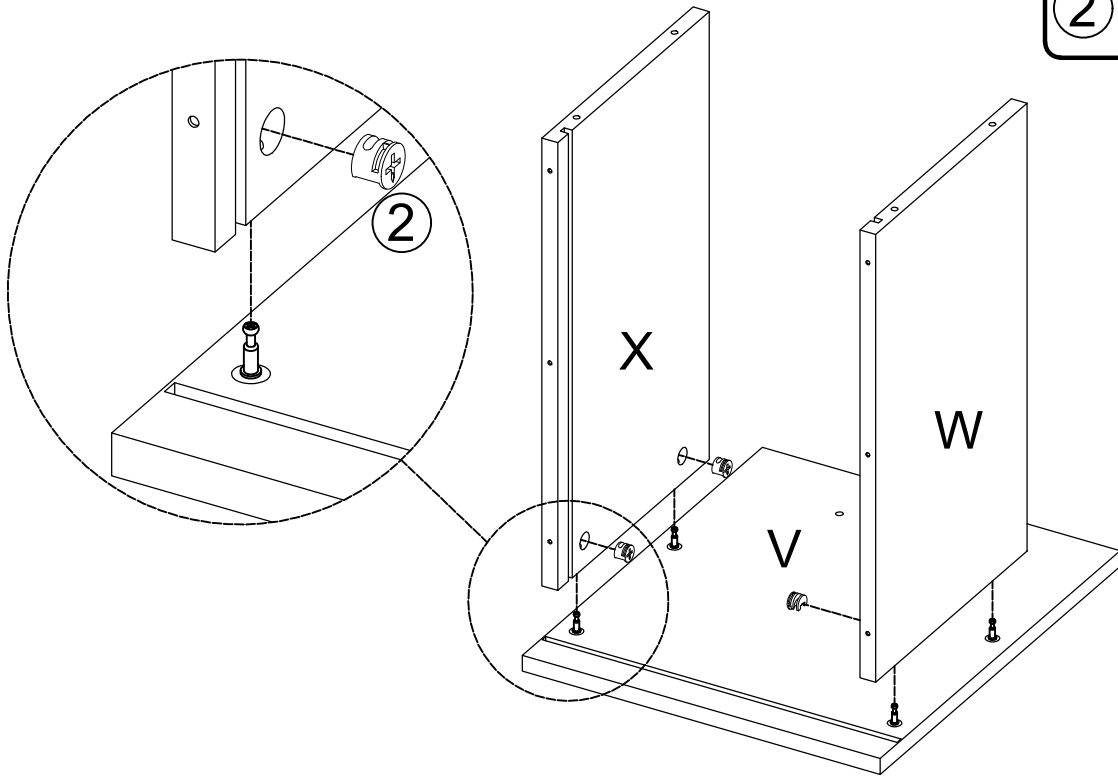
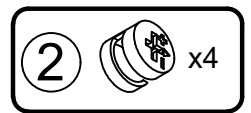


STEP 6

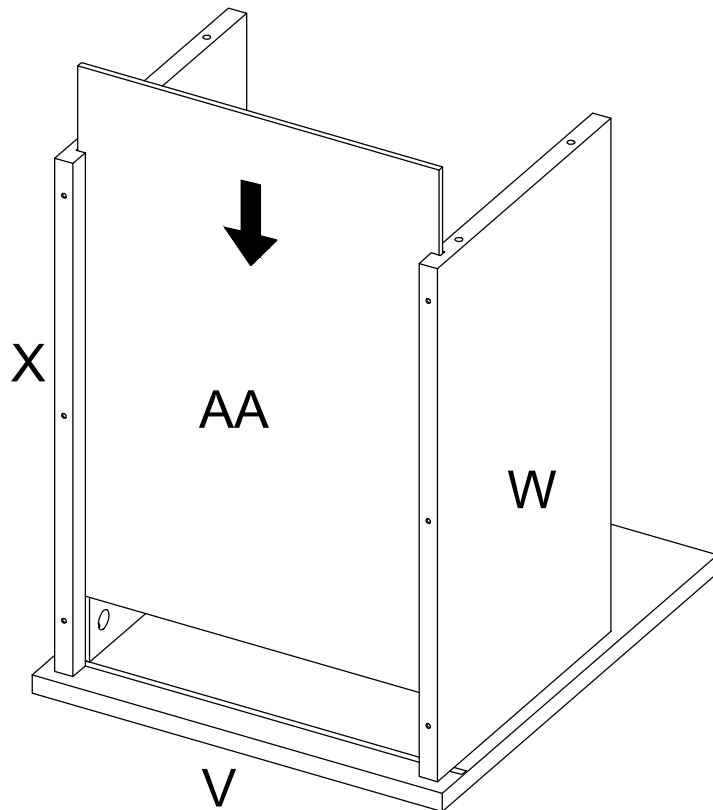


Roller at the end.

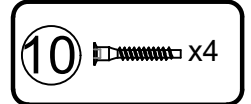
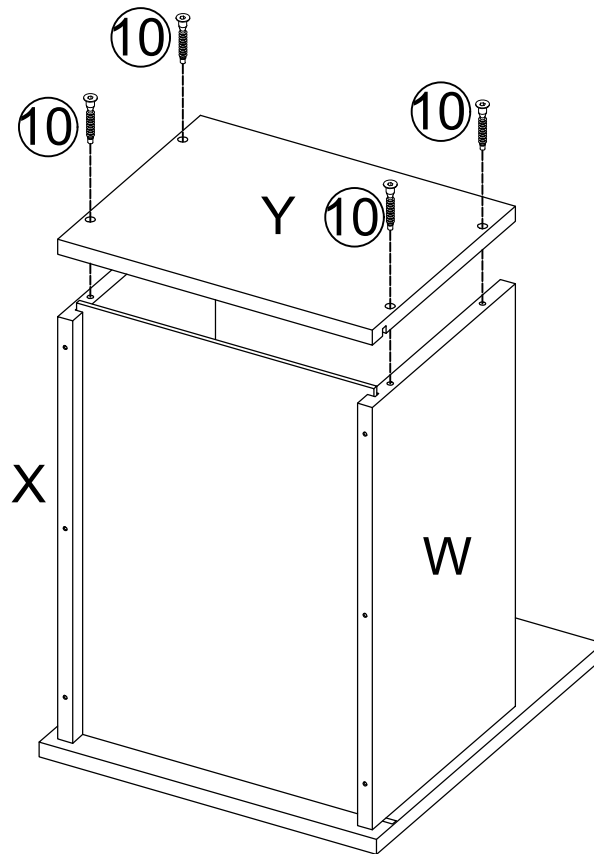
STEP 7



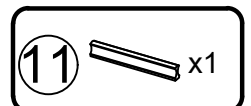
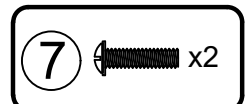
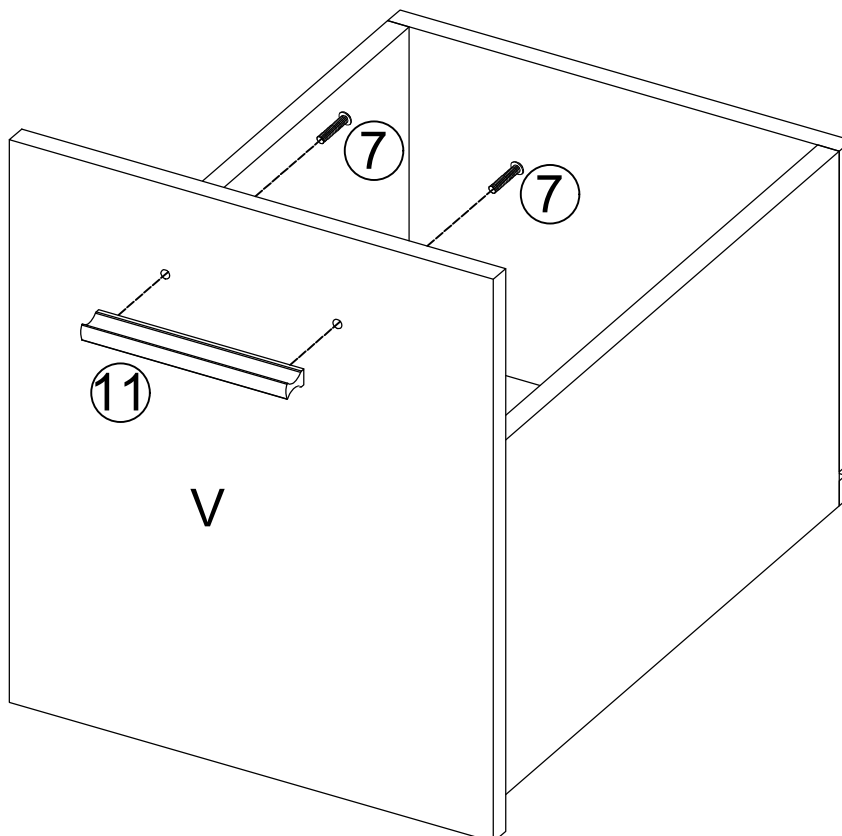
STEP 8



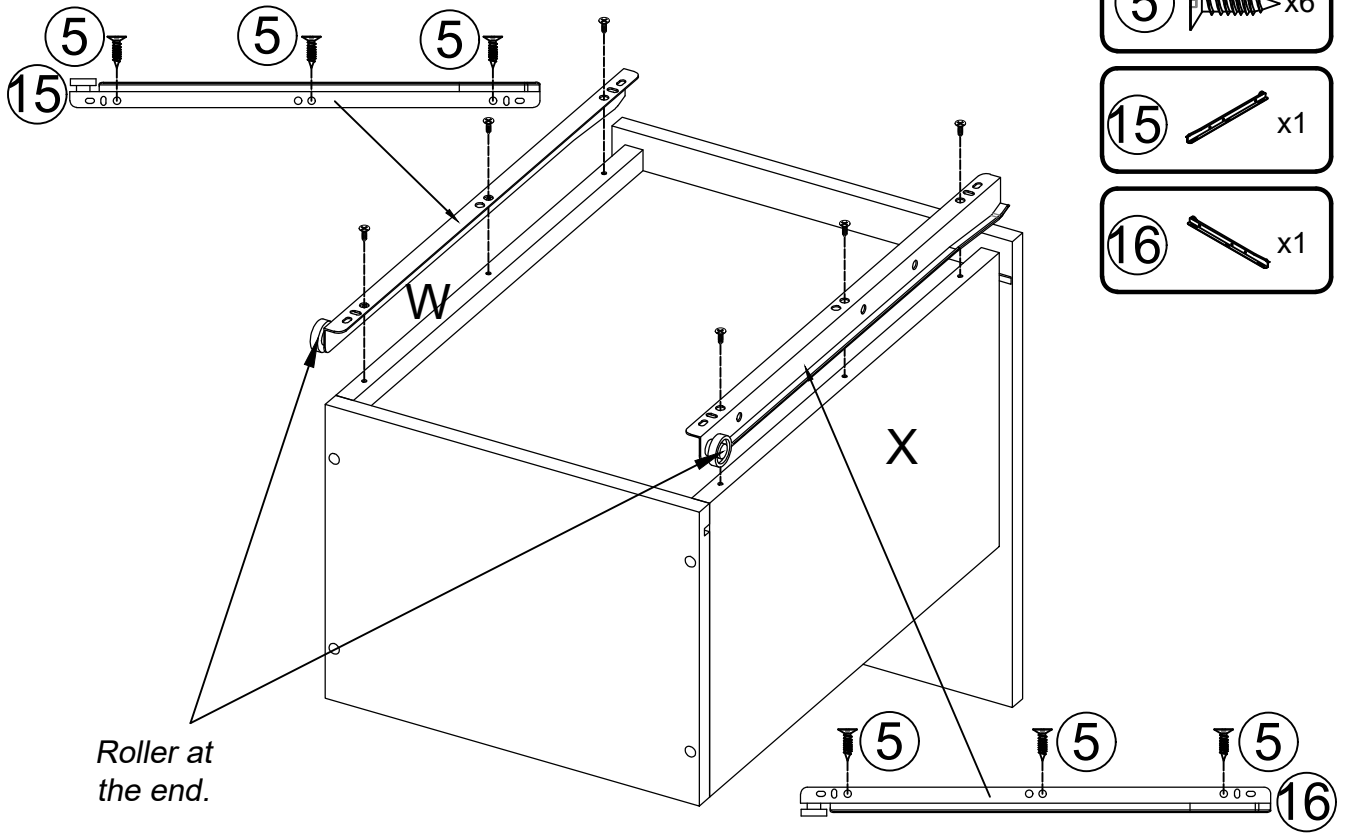
STEP 9



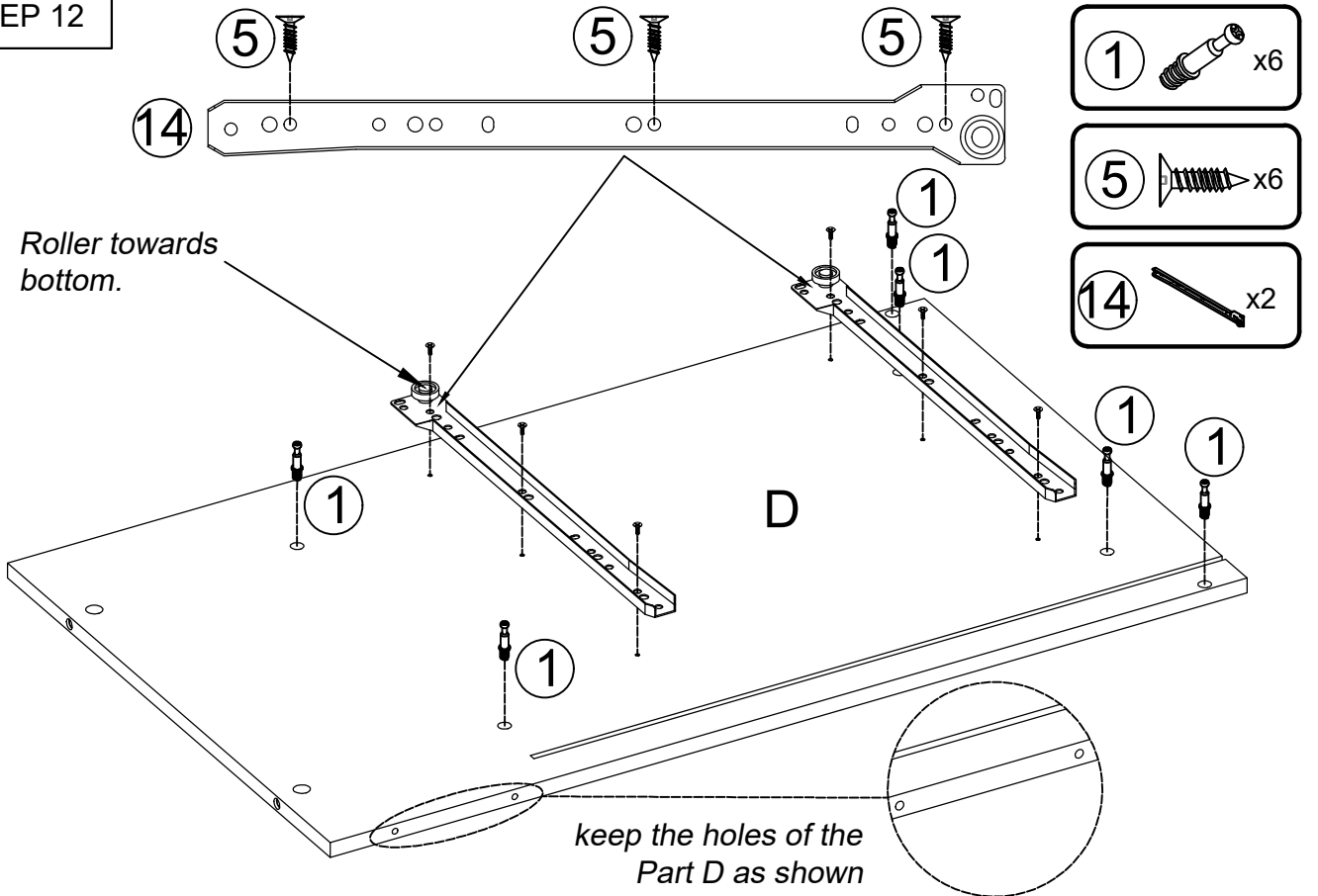
STEP 10



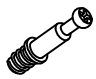
STEP 11

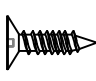



STEP 12

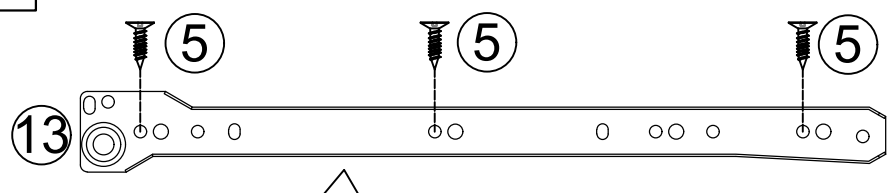


STEP 13

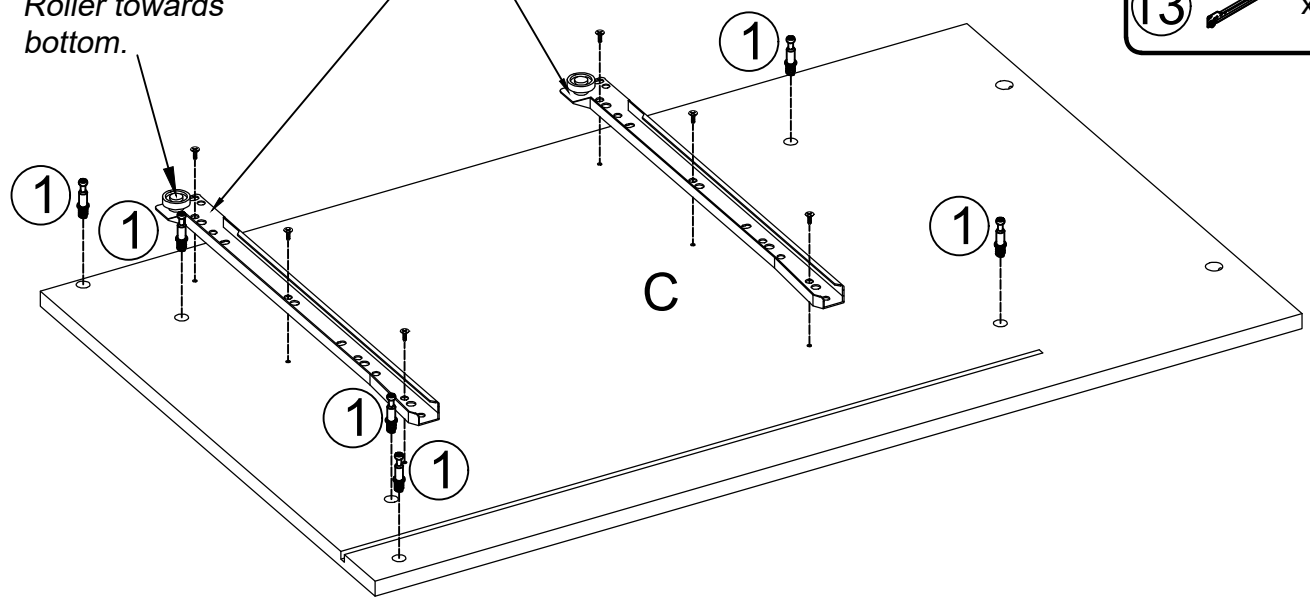
1  x6

5  x6


13  x2

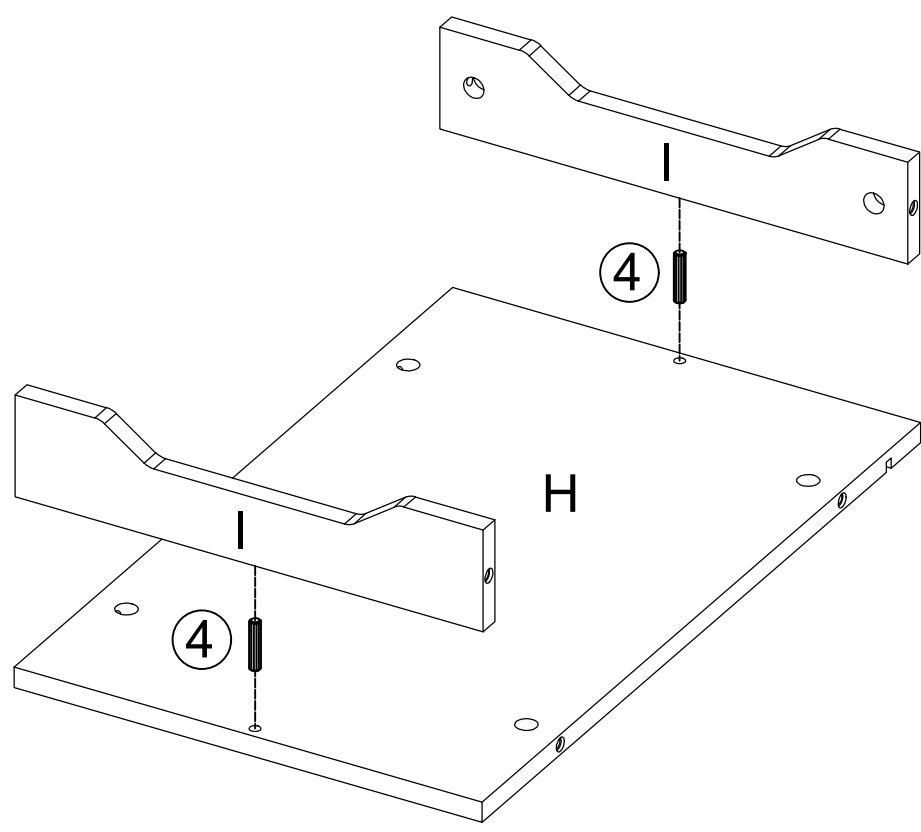


Roller towards bottom.

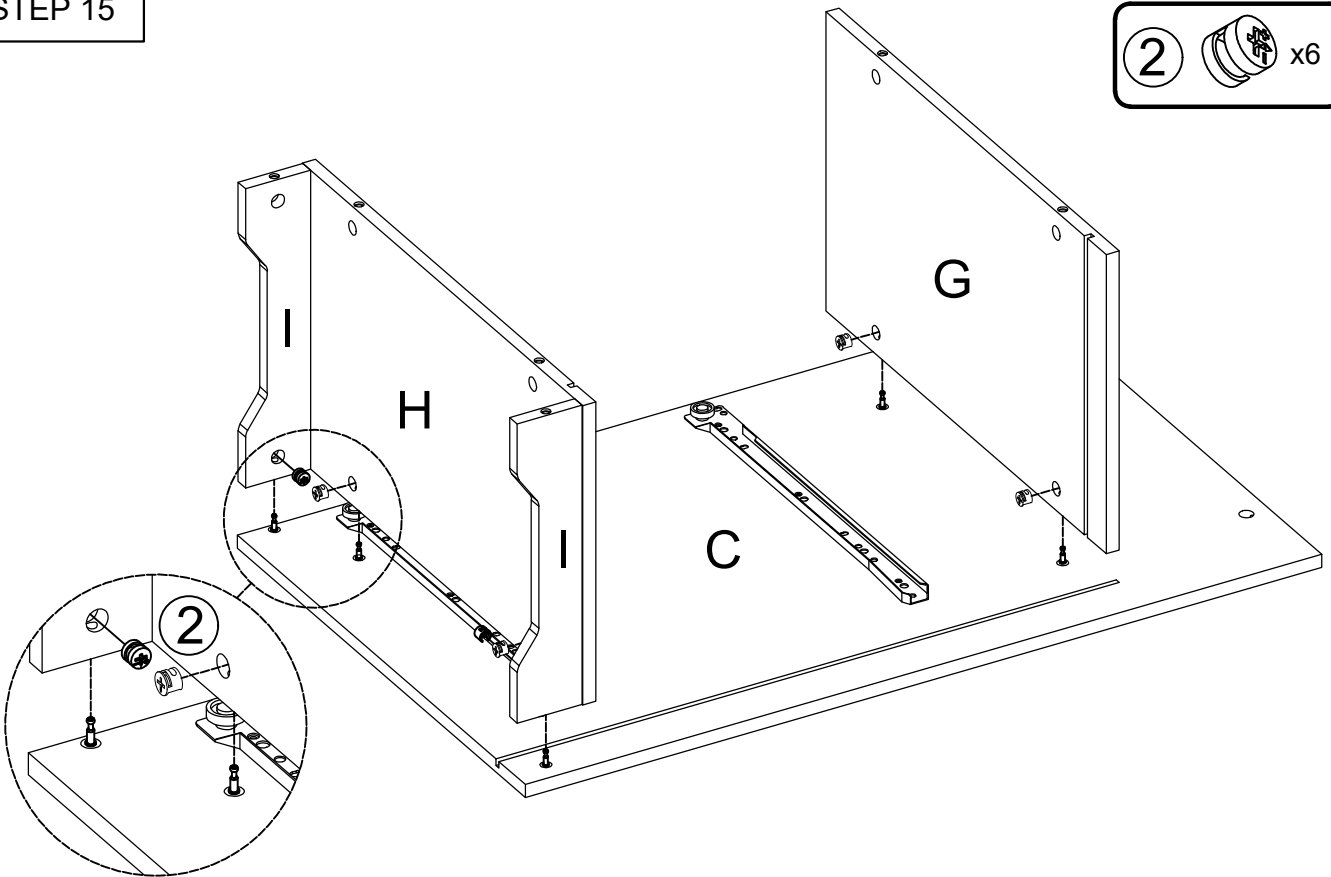
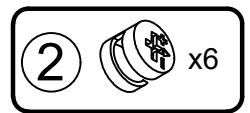


STEP 14

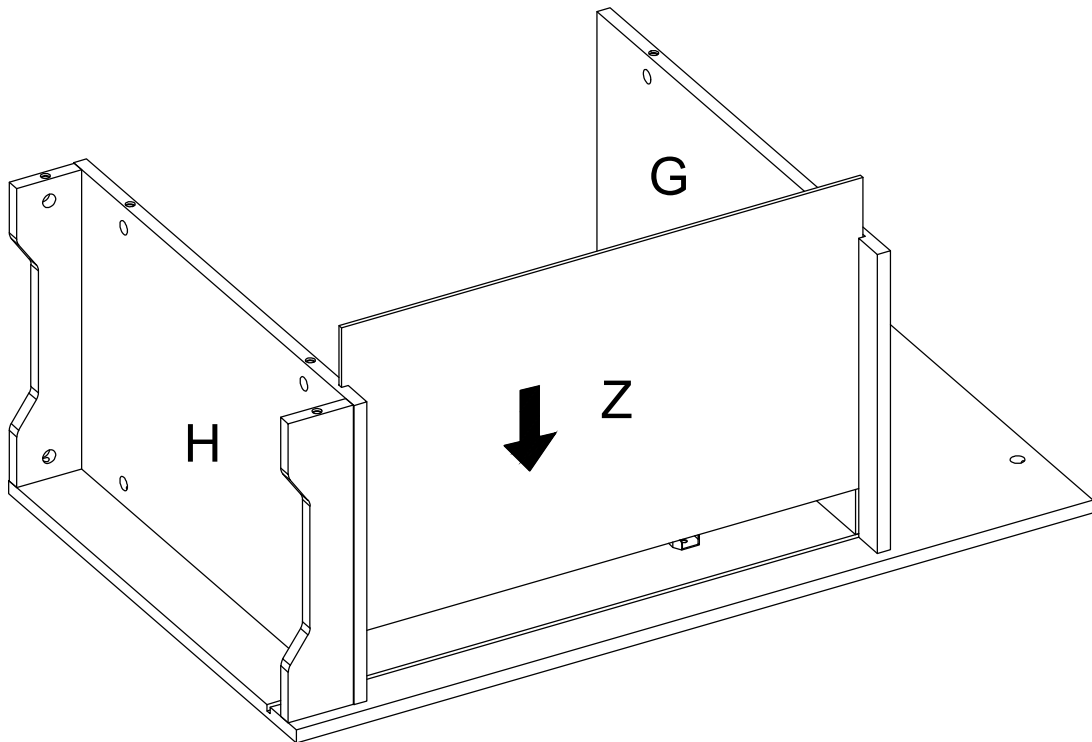
4  x2



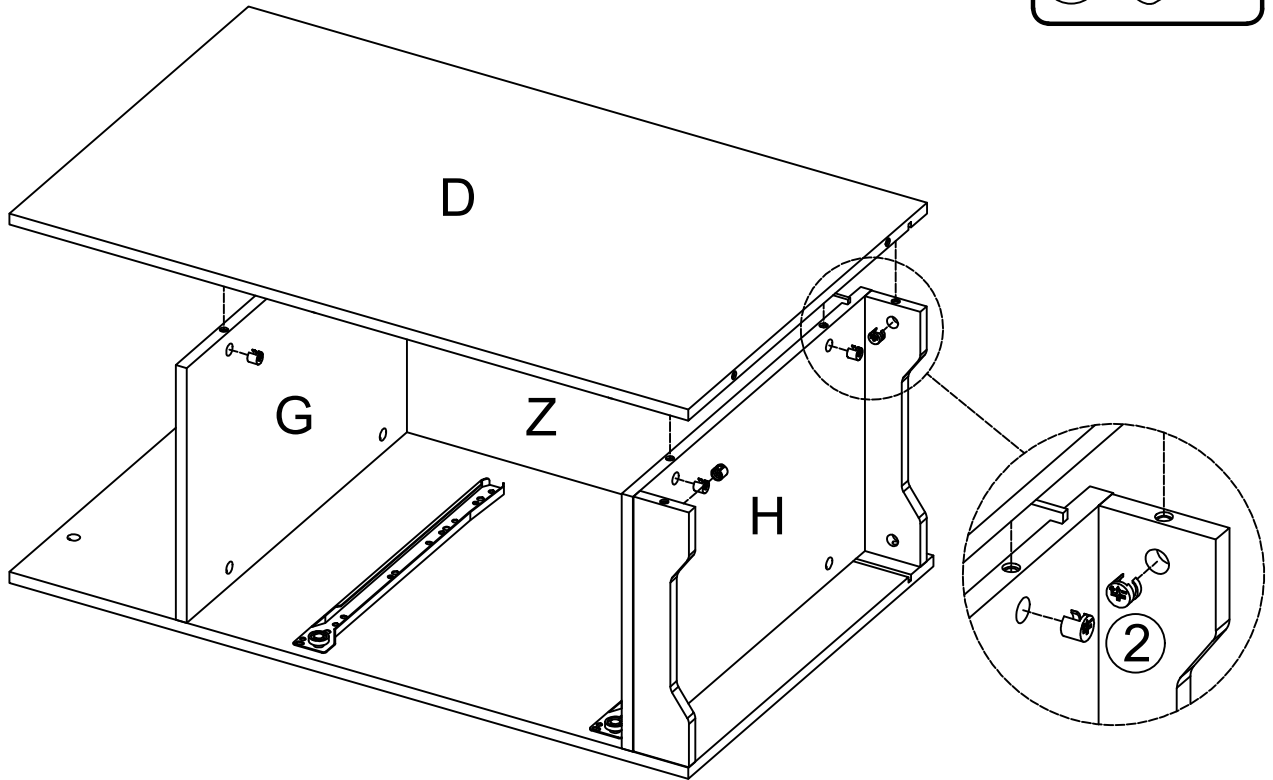
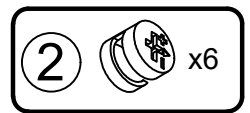
STEP 15



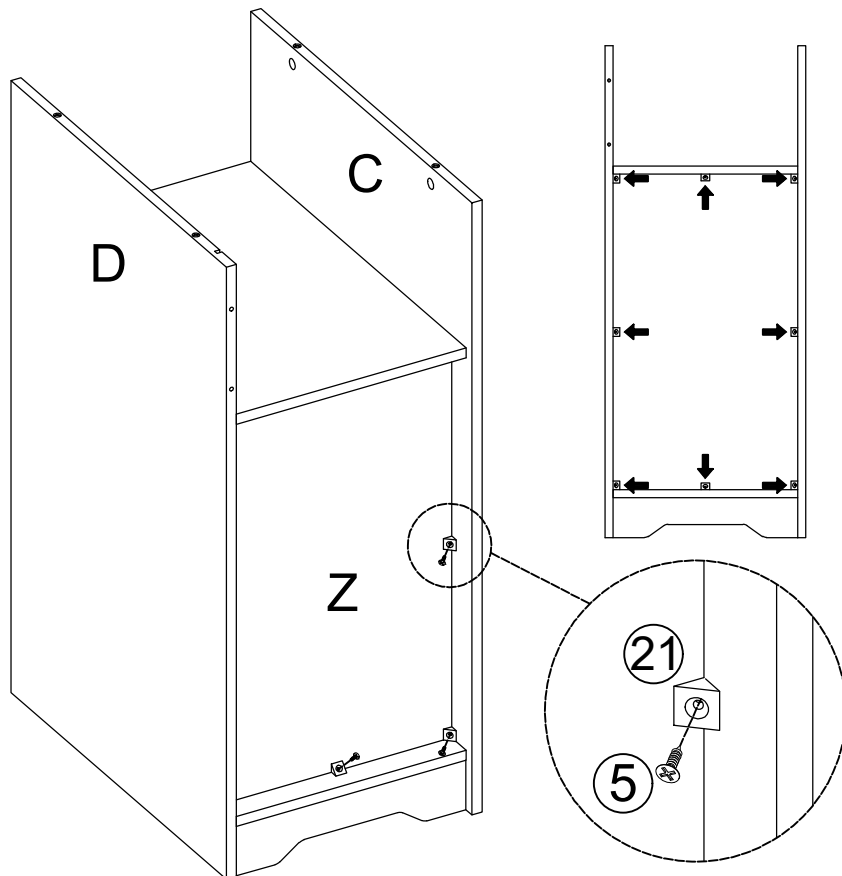
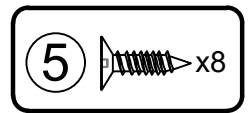
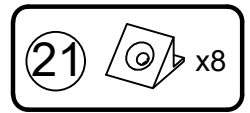
STEP 16



STEP 17

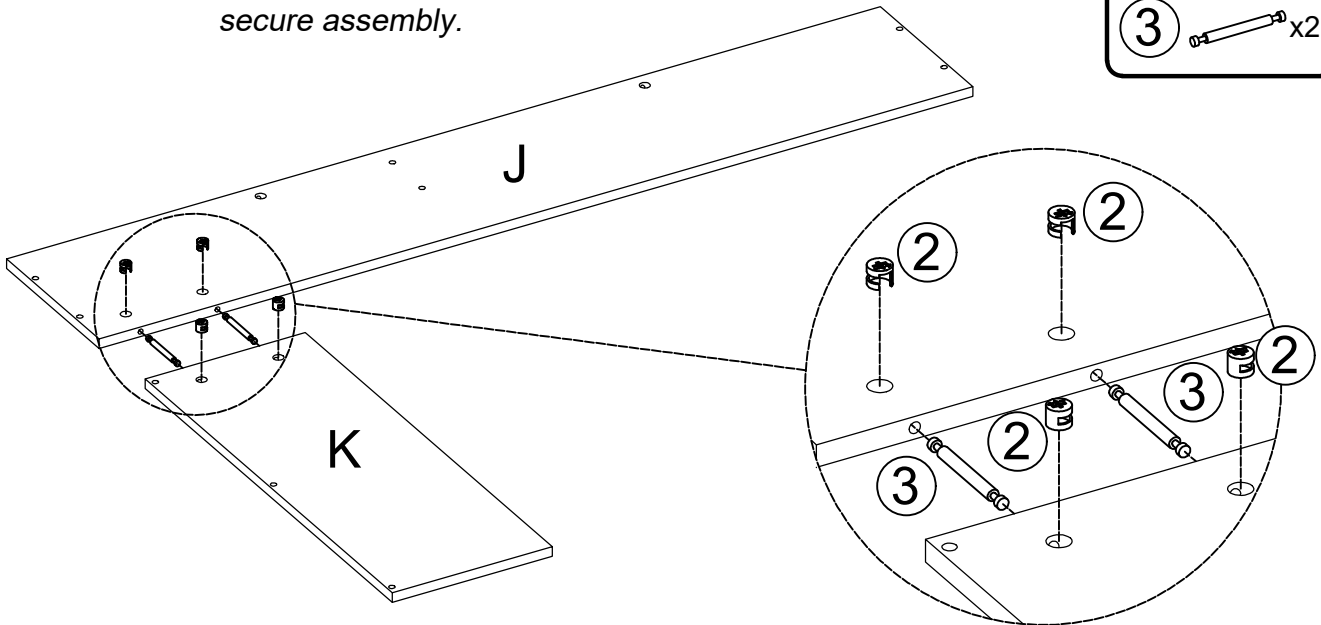
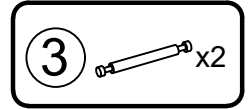
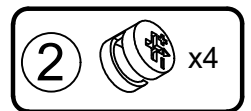


STEP 18

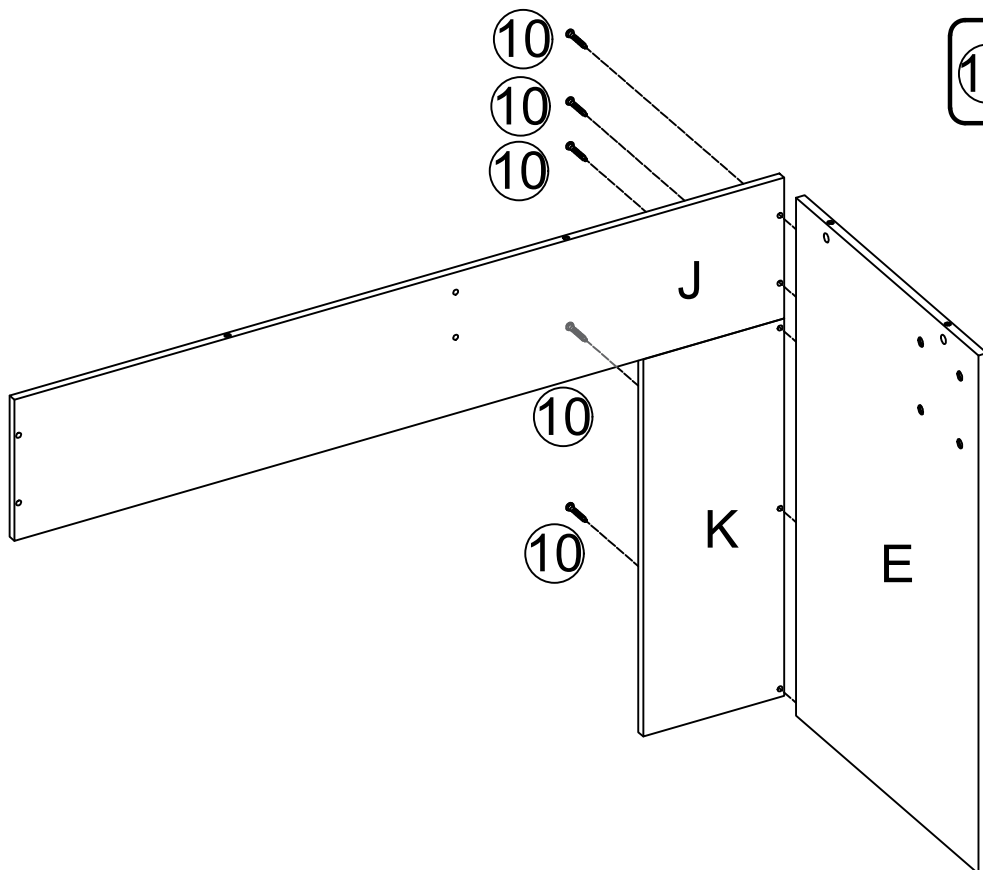
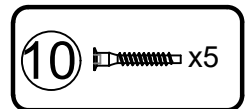


STEP 19

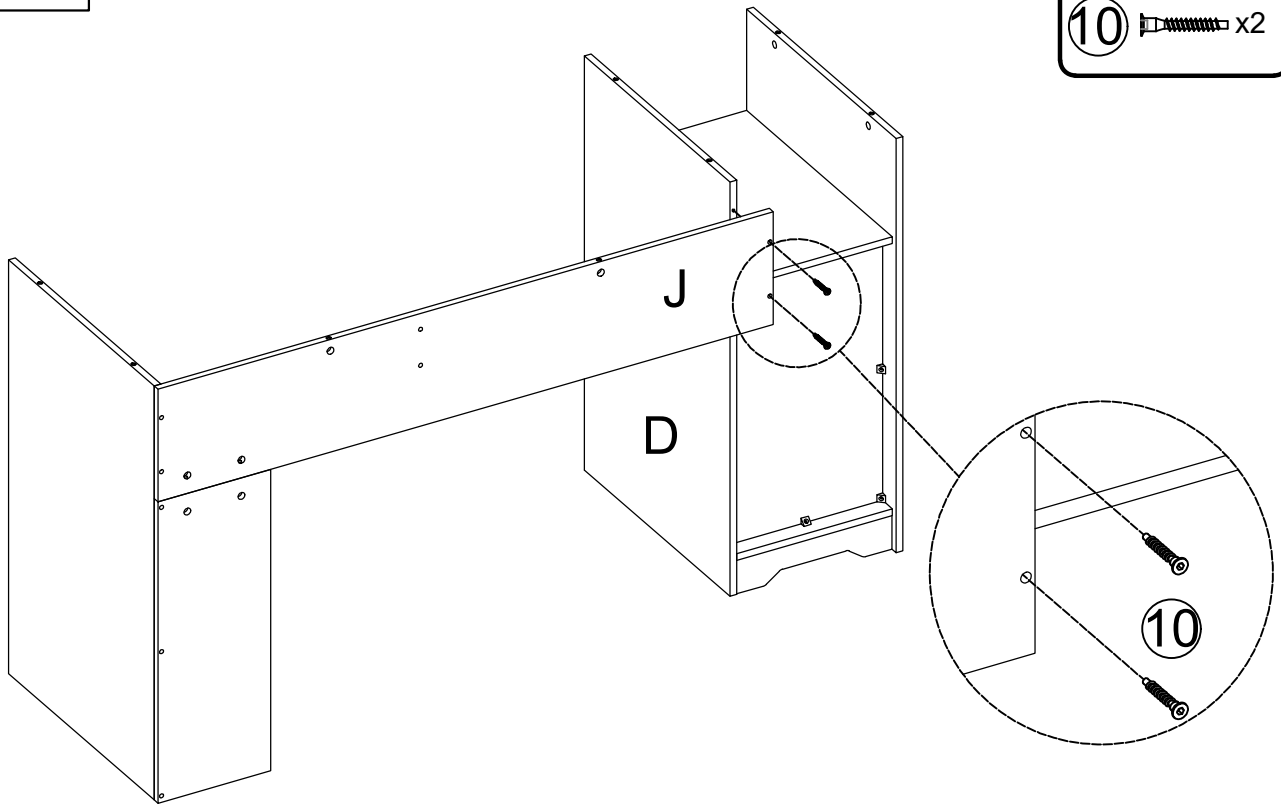
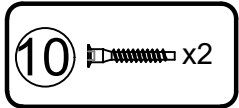
Insert long cam bolts into panel K and panel J, please ensure both side most even , then tightening cam locks to secure assembly.



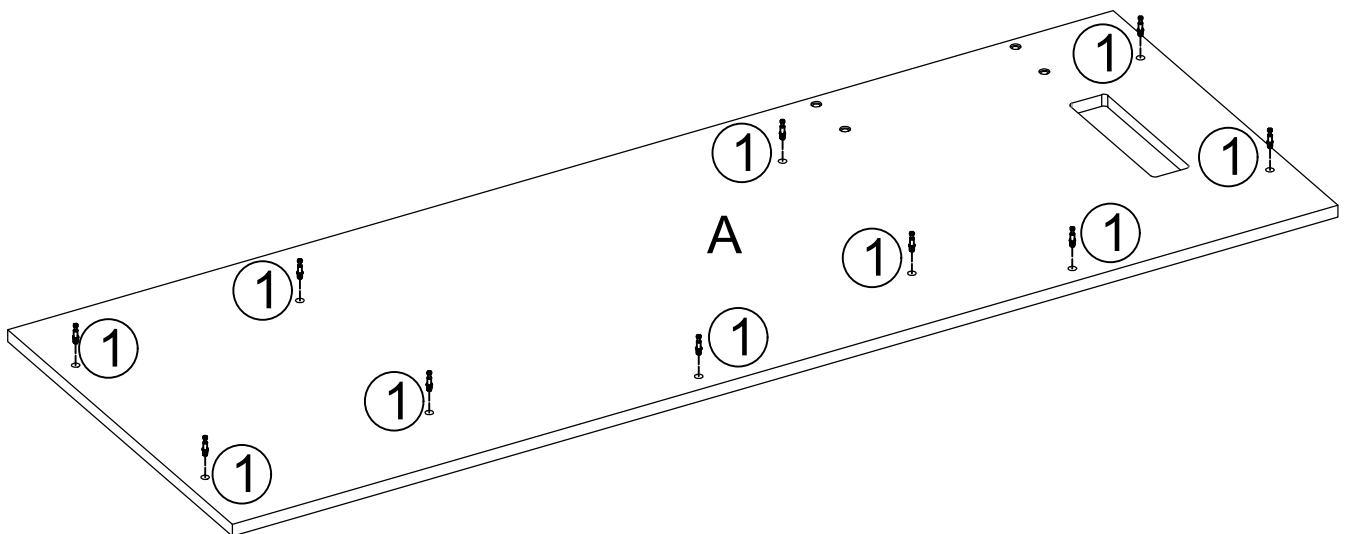
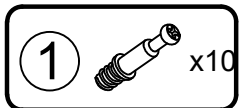
STEP 20



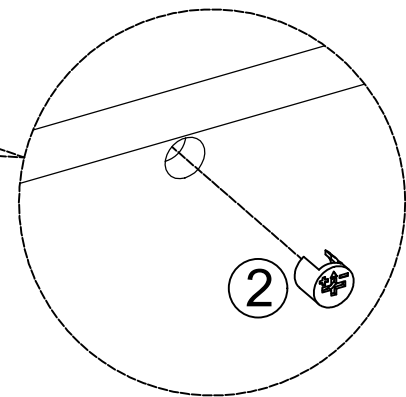
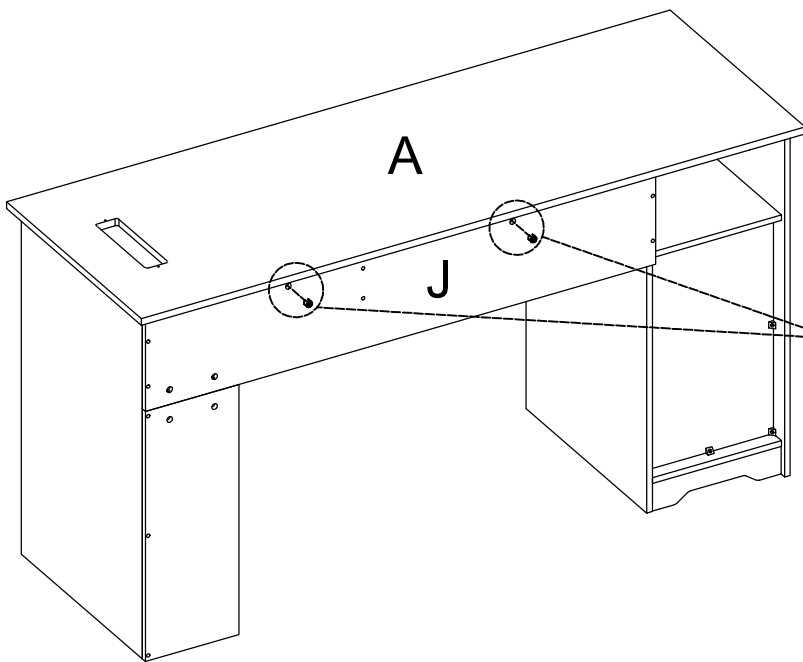
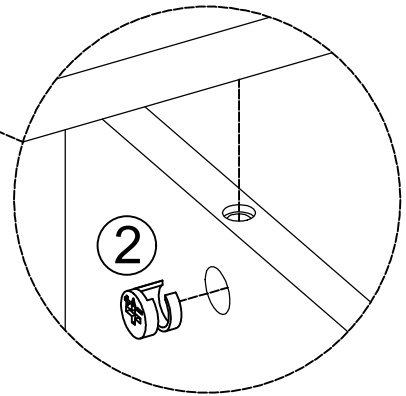
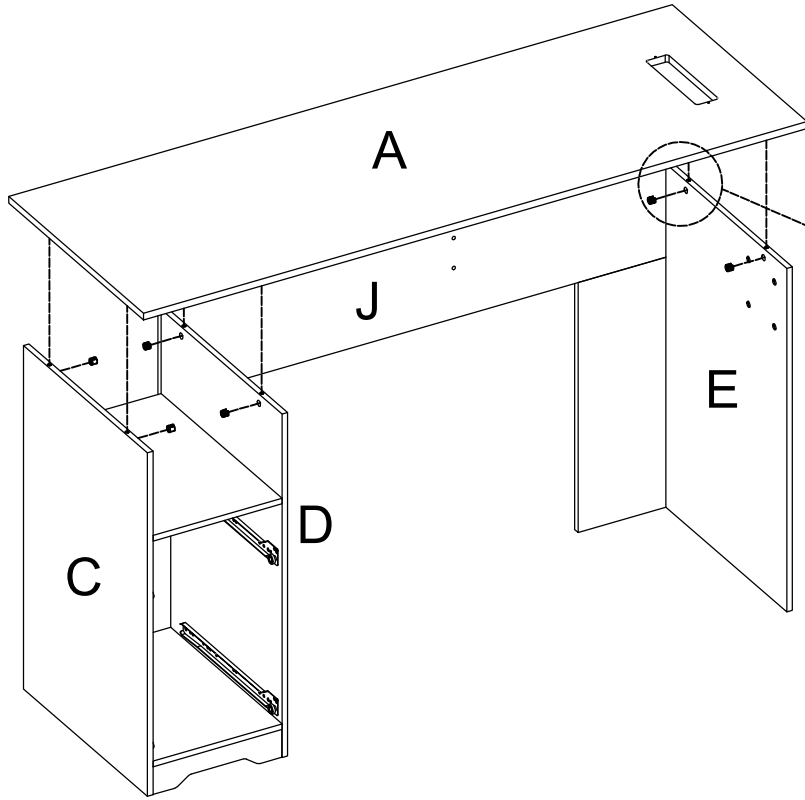
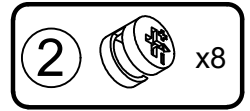
STEP 21



STEP 22

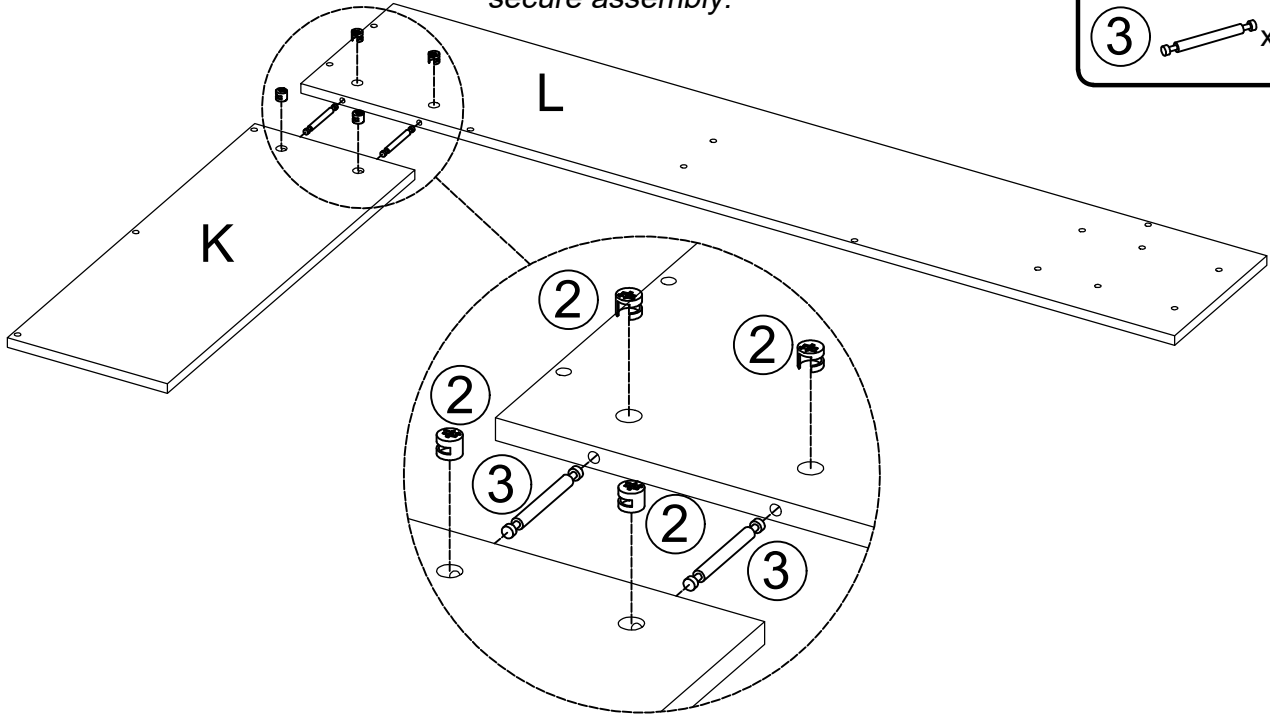
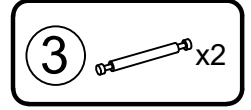
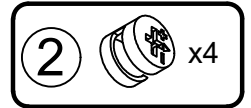


STEP 23

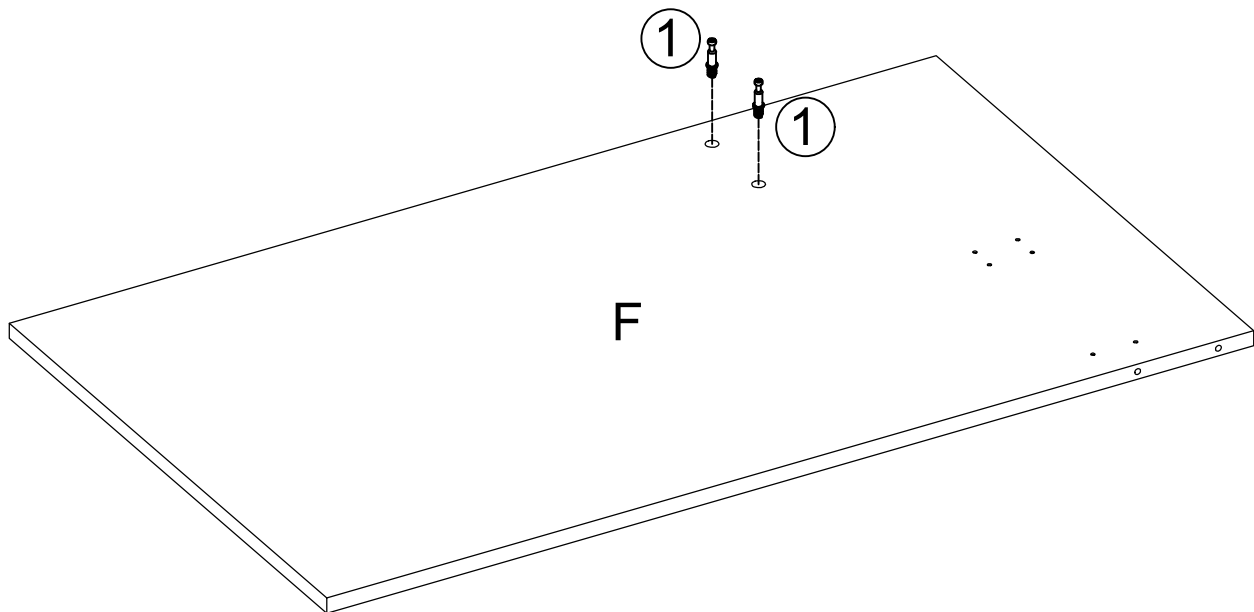
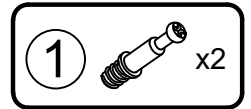


STEP 24

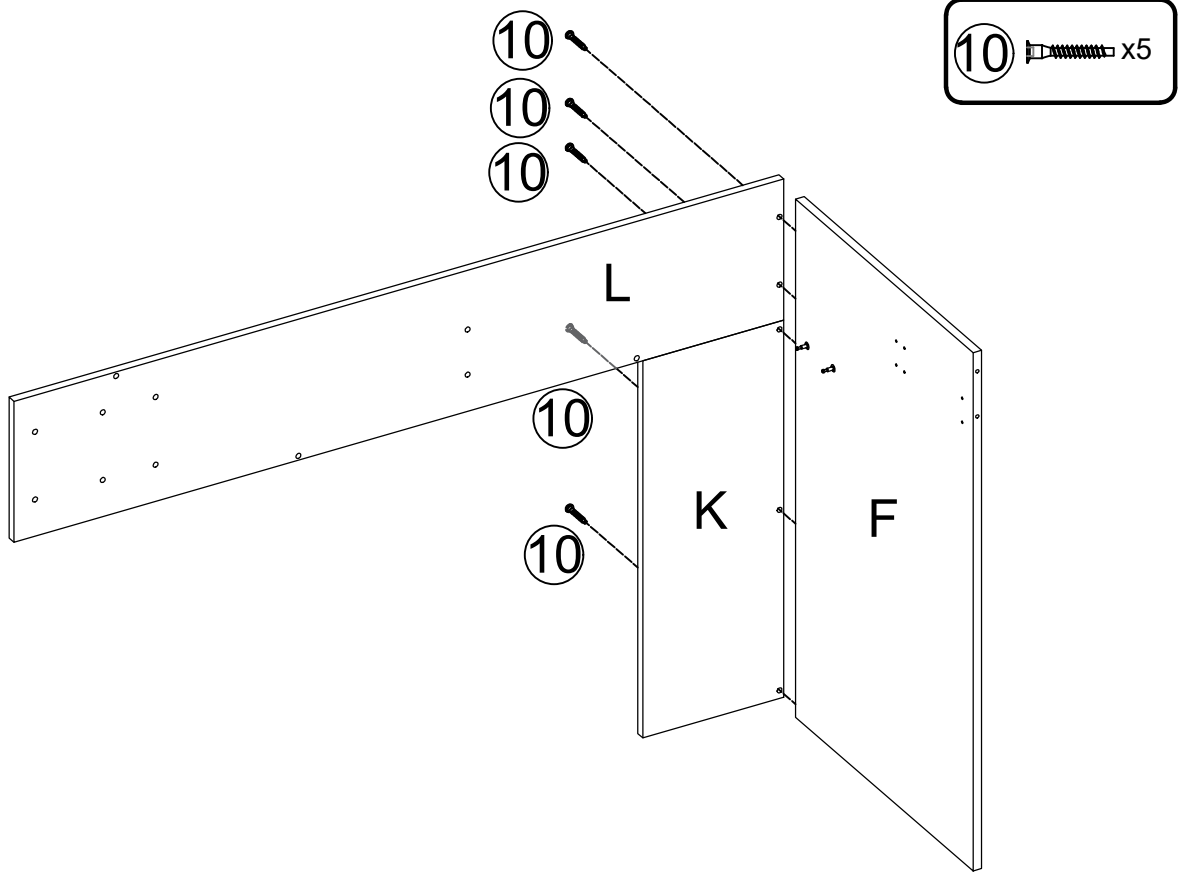
Insert long cam bolts into panel K and panel L, please ensure both side most even , then tightening cam locks to secure assembly.



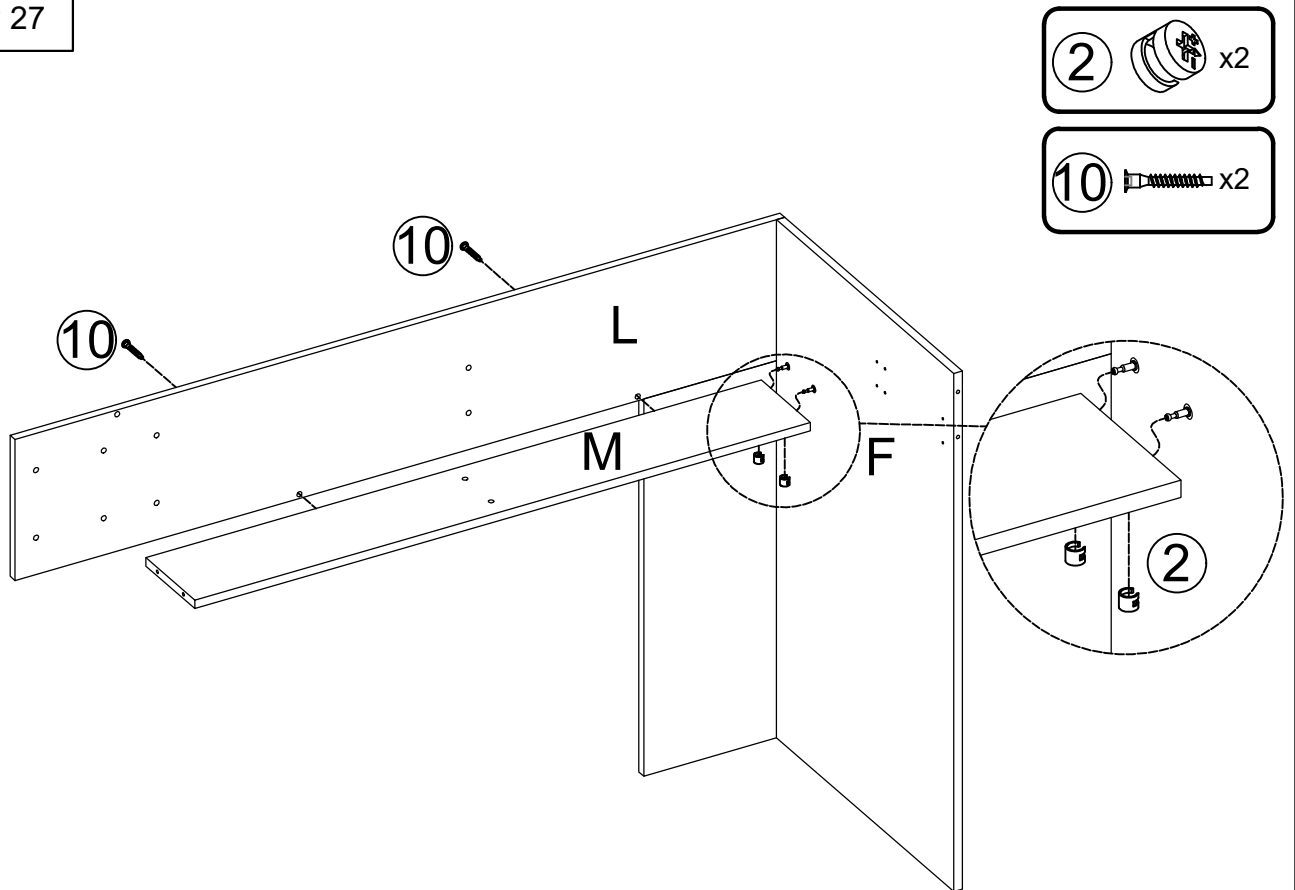
STEP 25



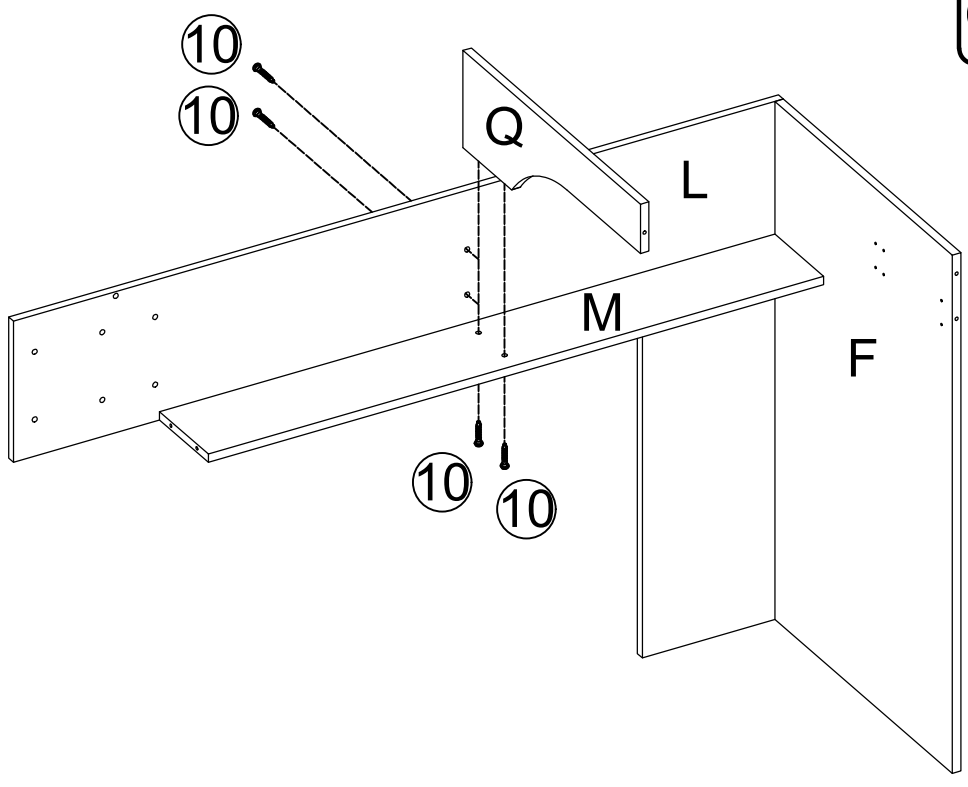
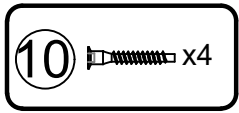
STEP 26



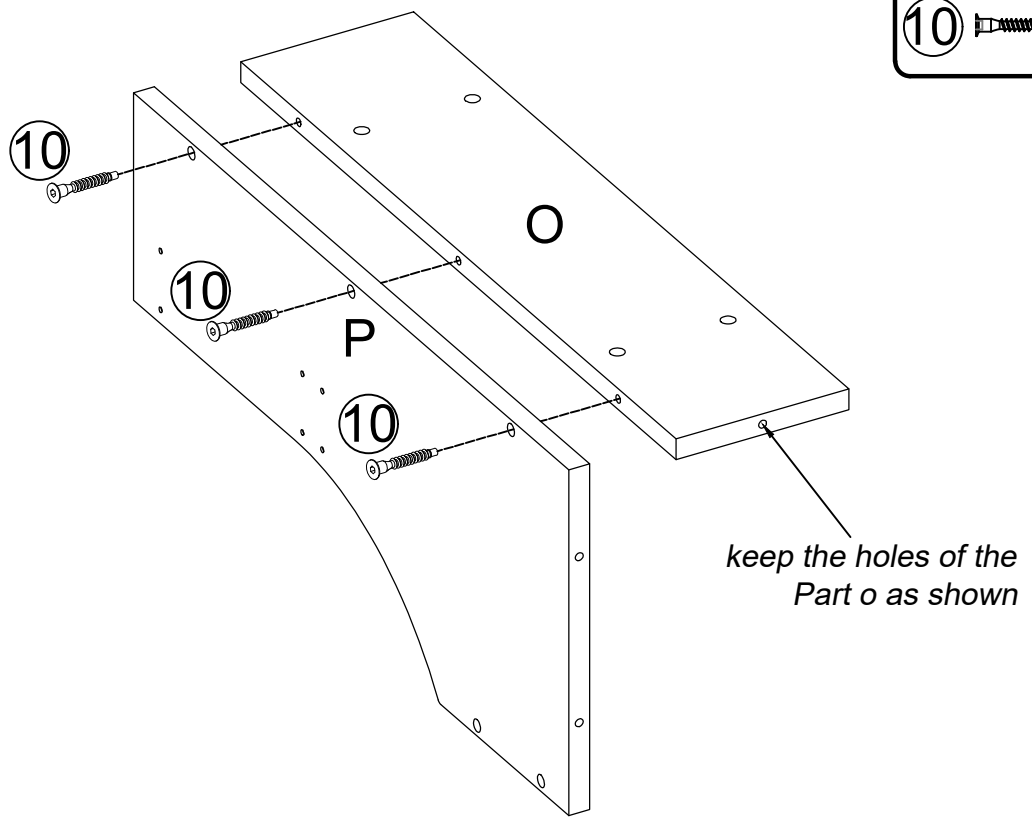
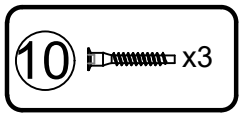
STEP 27




STEP 28

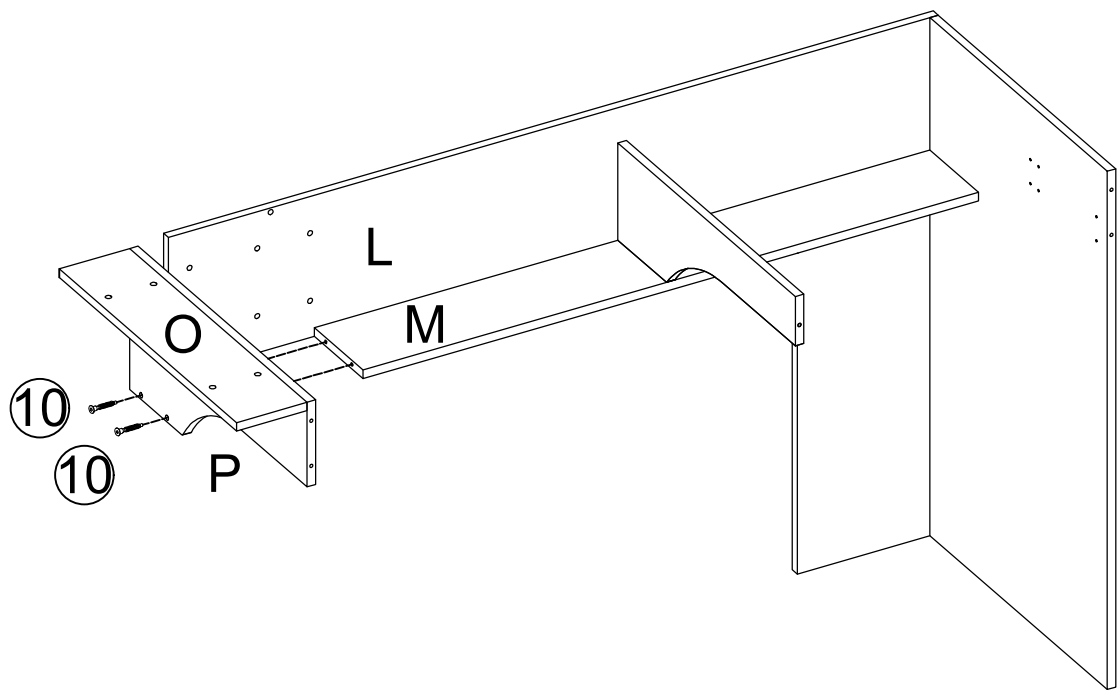


STEP 29




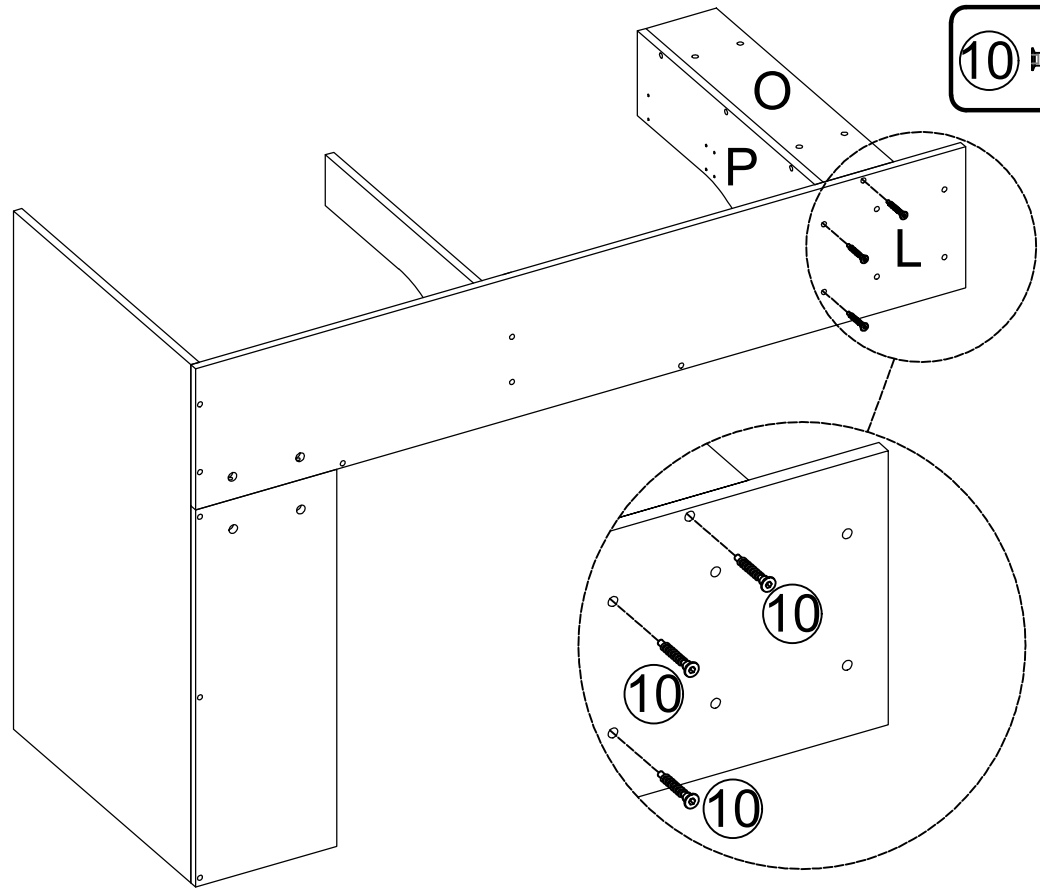
STEP 30

10  x2

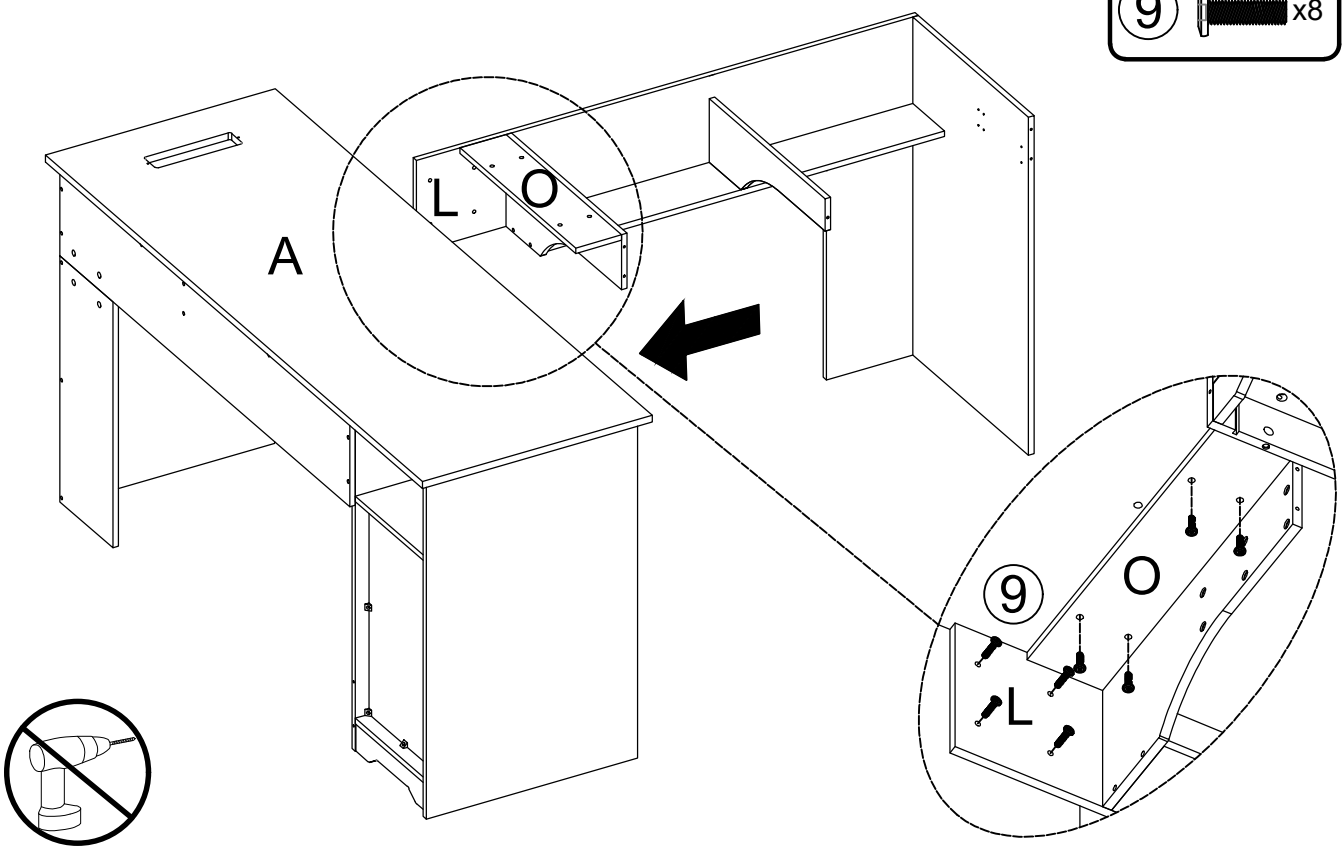
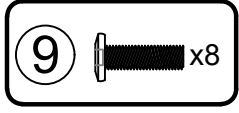


STEP 31

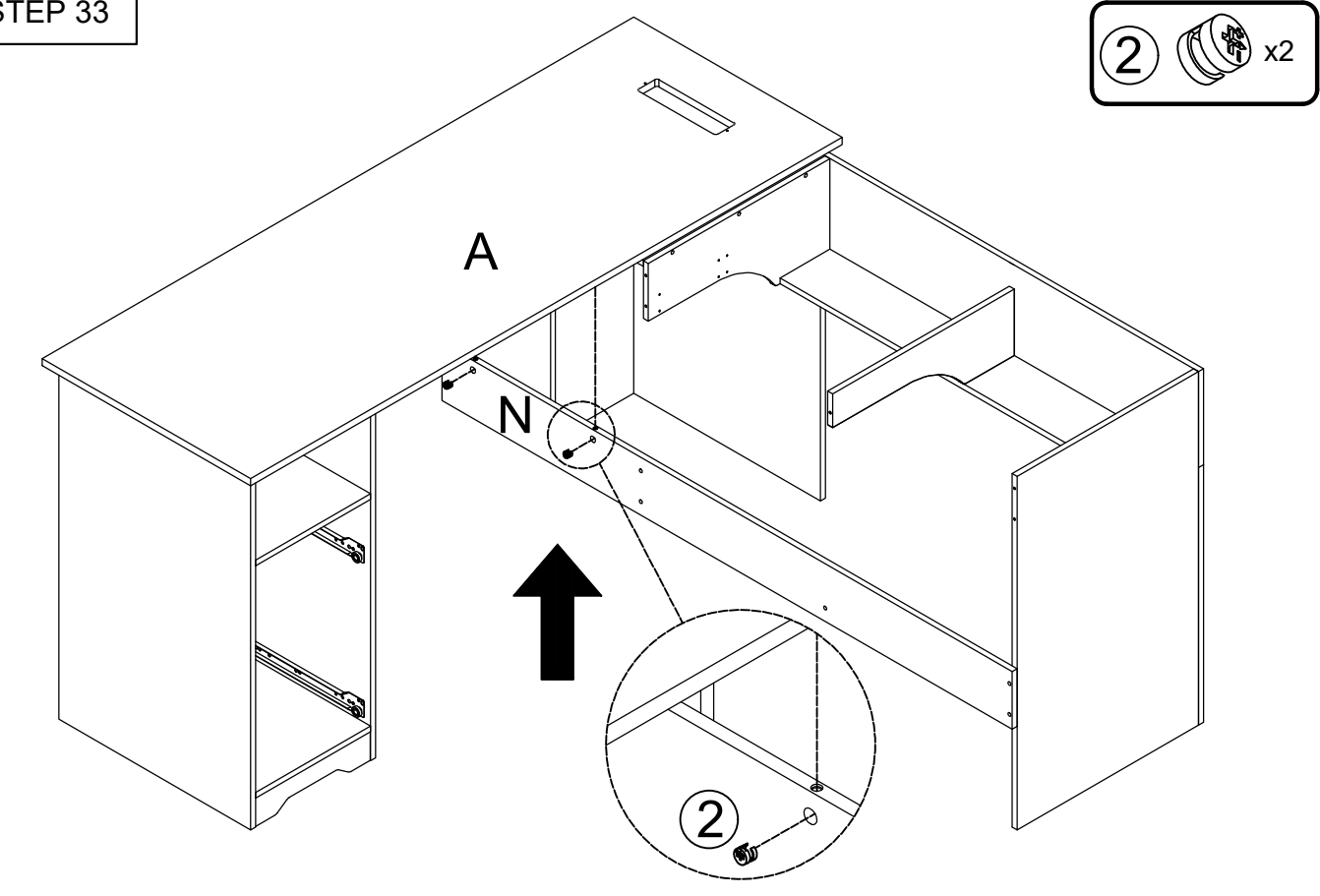
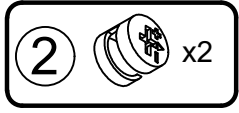
10  x3



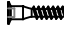
STEP 32

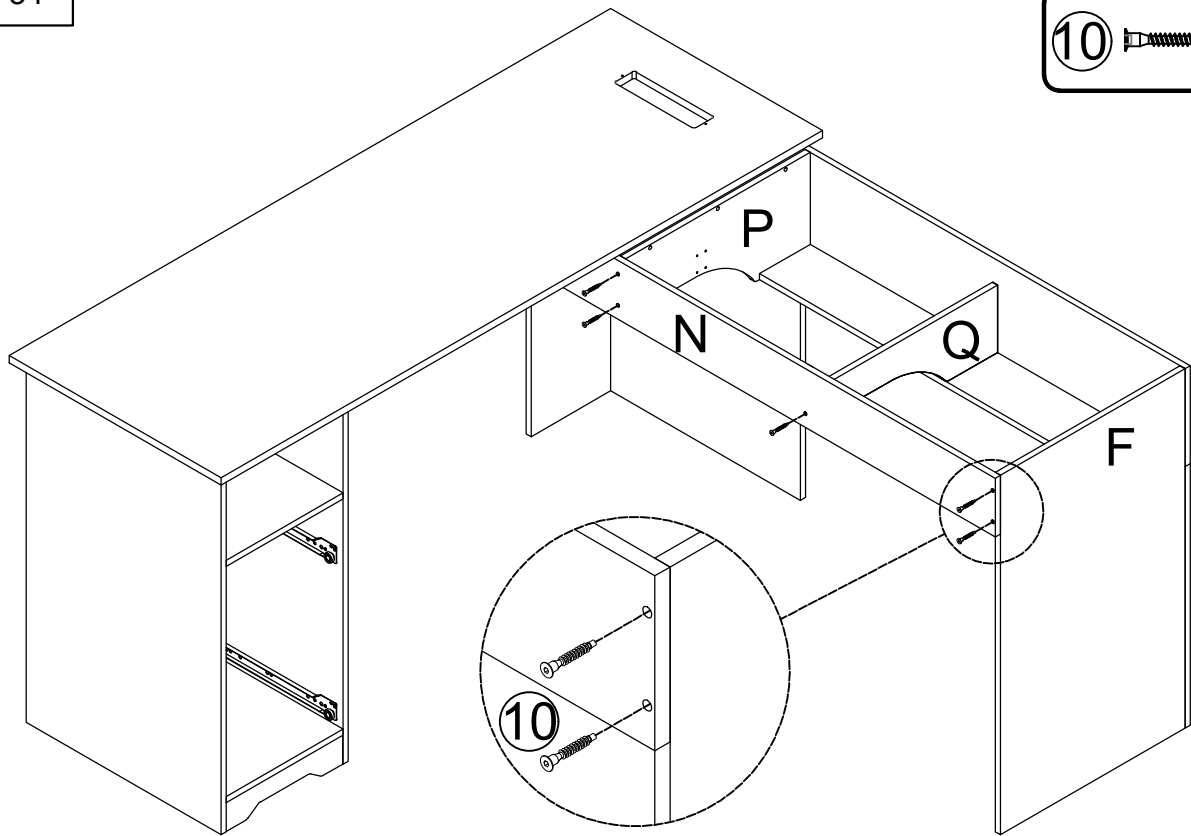


STEP 33

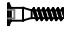


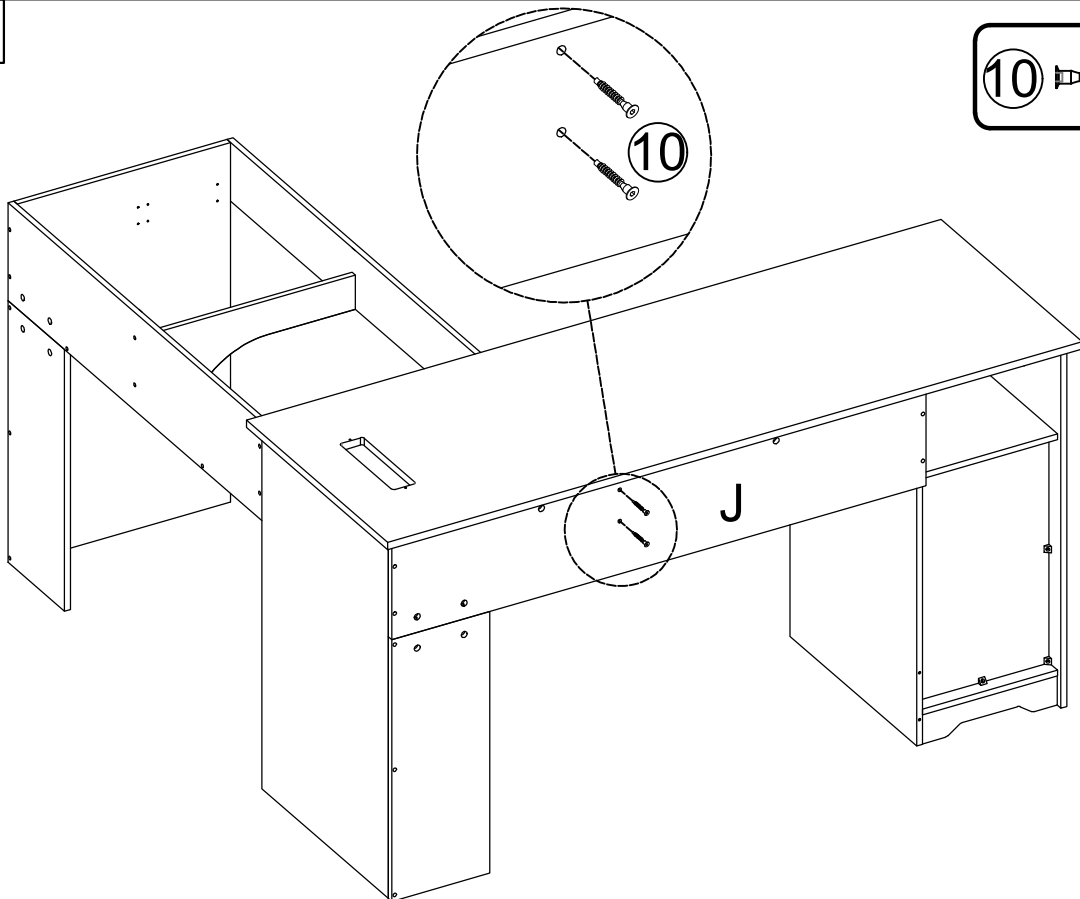
STEP 34

10  x5

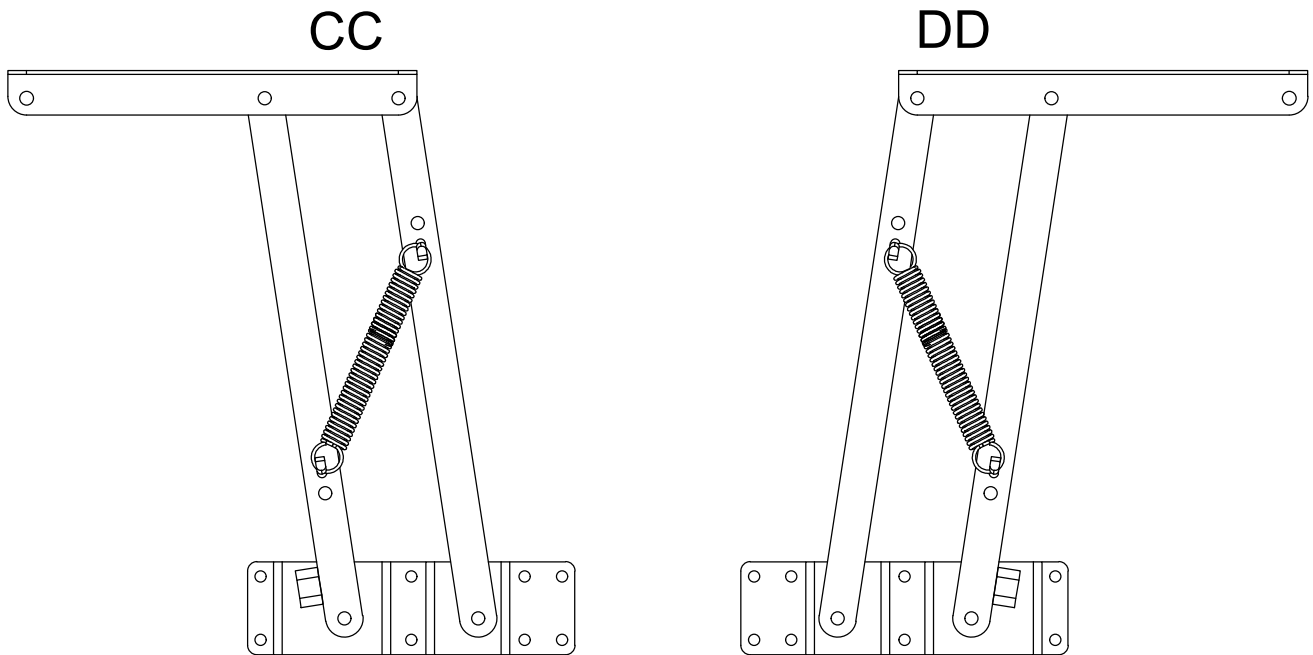


STEP 35

10  x2



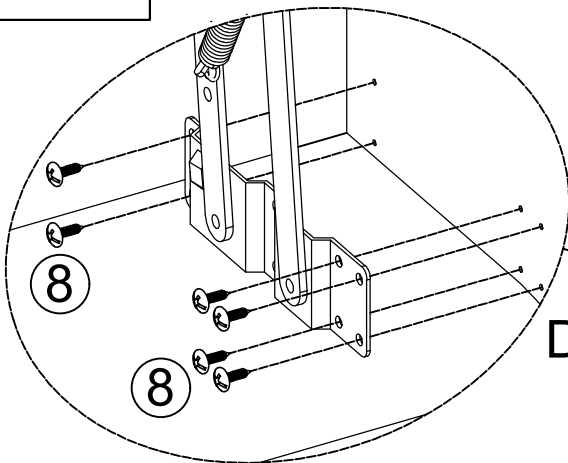
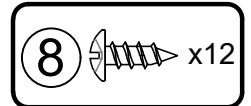
STEP 36



**Note: the two springs are different.**

Please follow the directions shown in the picture to figure out.

STEP 37



DD

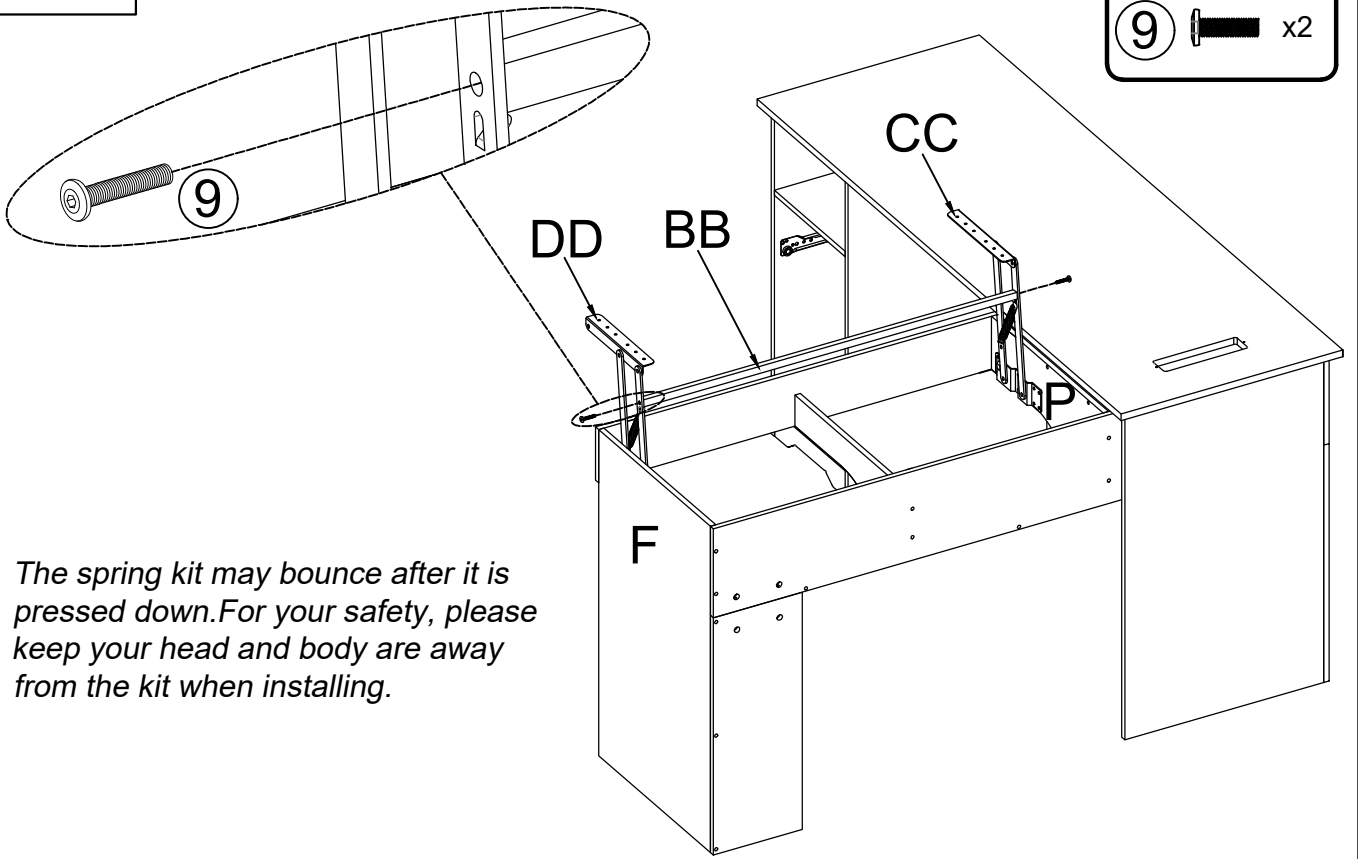
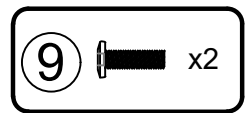
CC

P

F

The spring kit may bounce after it is pressed down. For your safety, please keep your head and body away from the kit when installing.

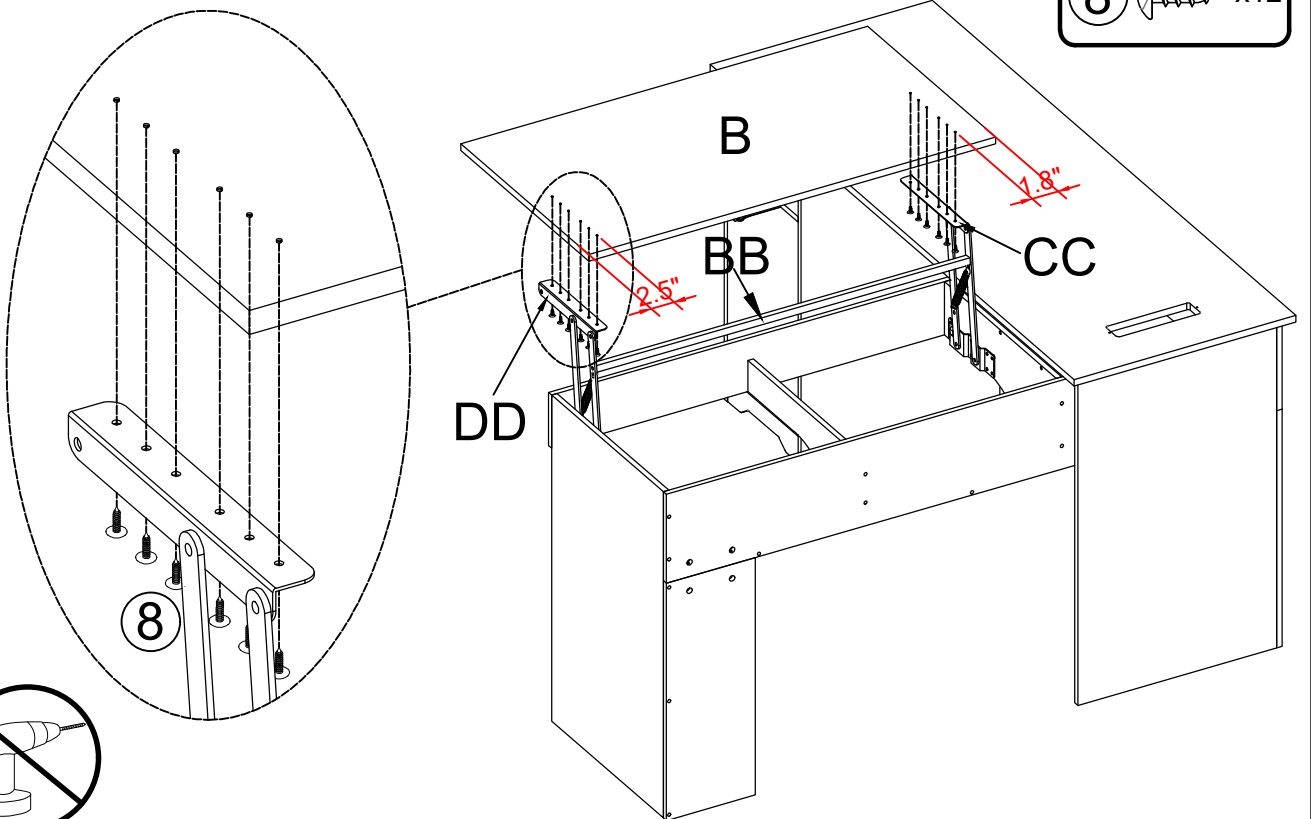
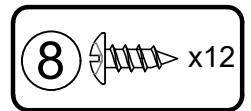
STEP 38




*The spring kit may bounce after it is pressed down. For your safety, please keep your head and body away from the kit when installing.*

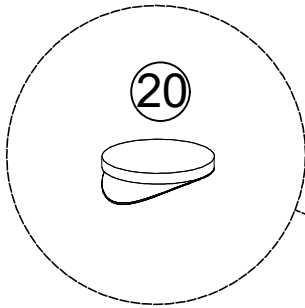
STEP 39

*Please note the hole direction of board B.*

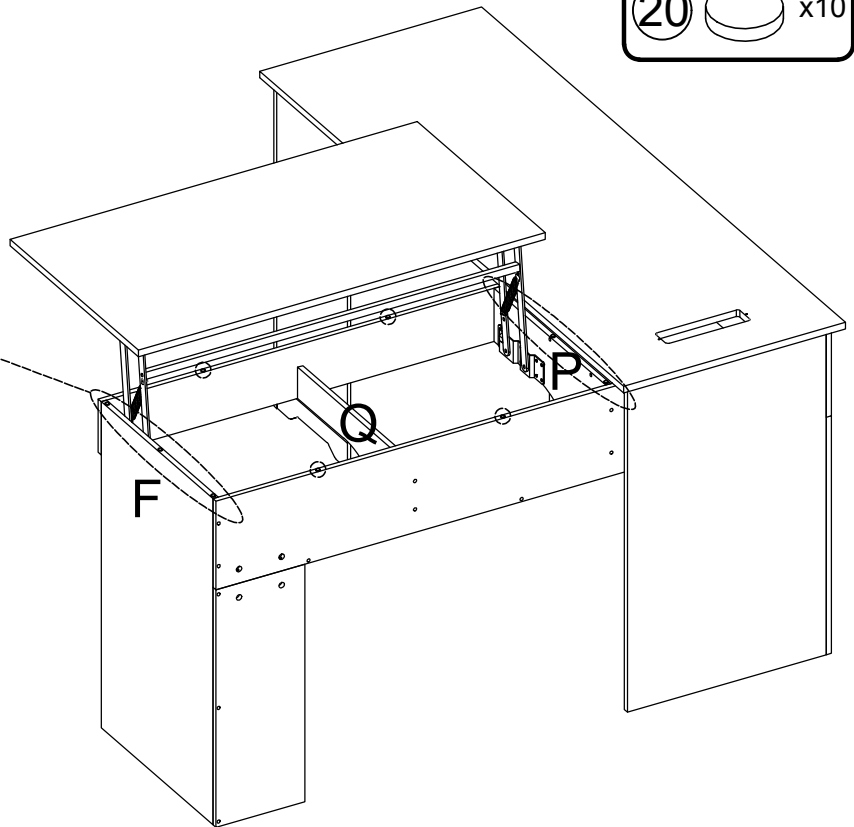


STEP 40

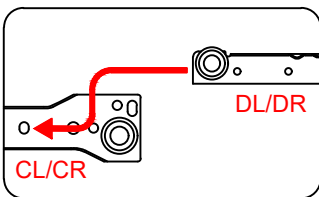
20  x10



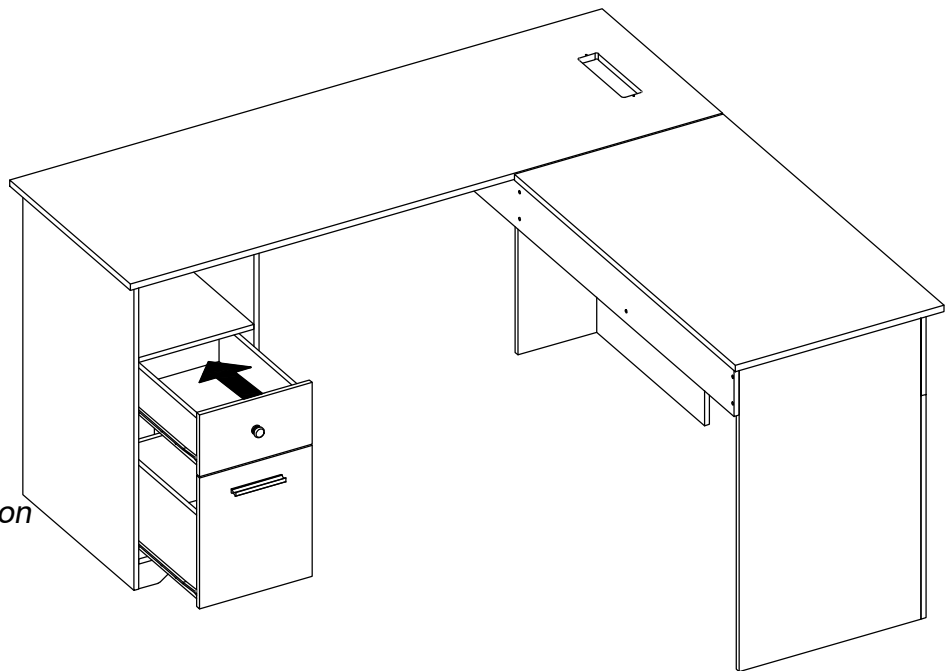
Shock-absorbing  
Foam Cushion



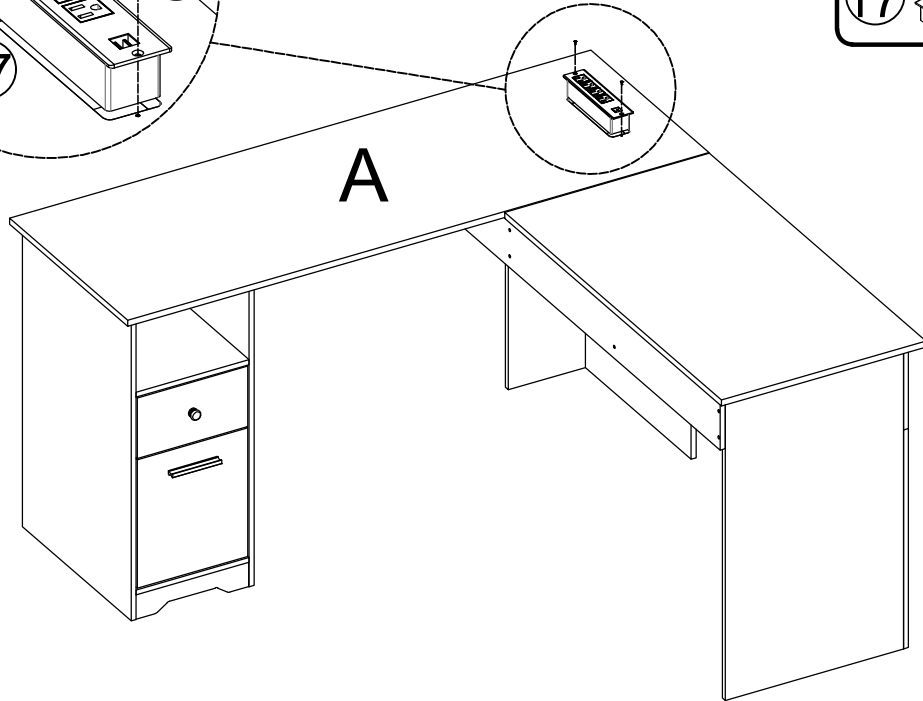
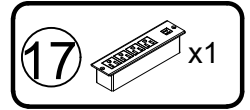
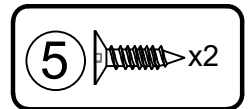
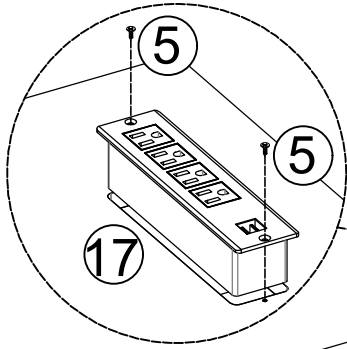
STEP 41



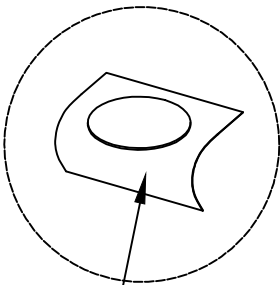
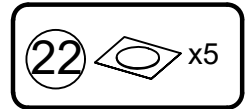
Please put the wheels align  
with the slots as the instruction  
shows, then slide into them.



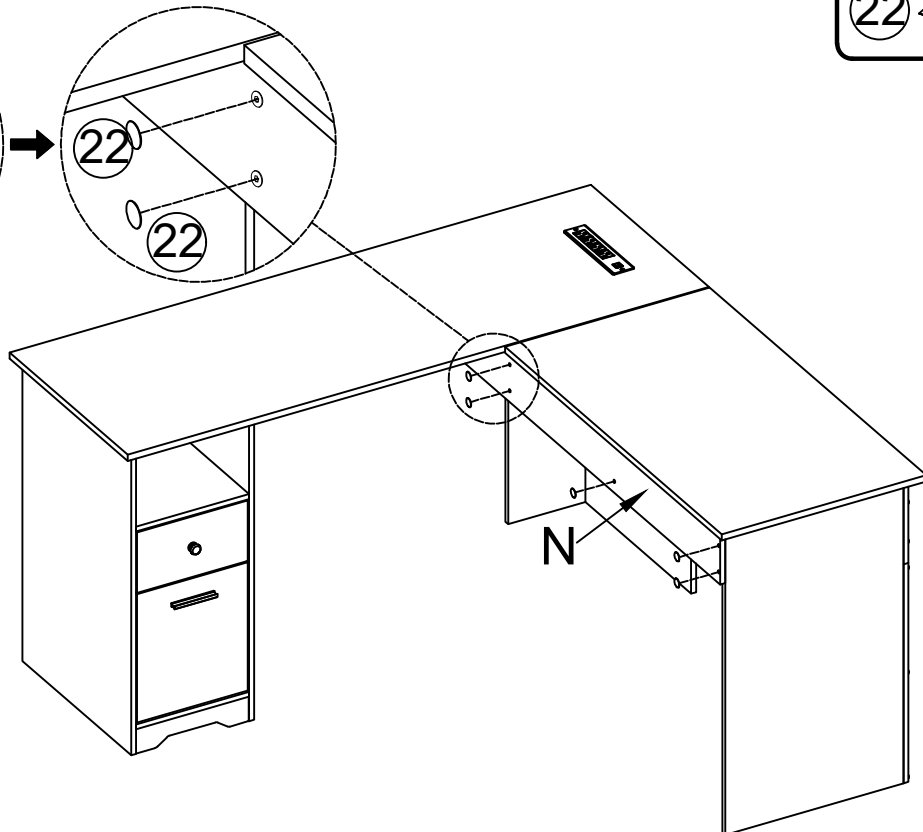
STEP 42



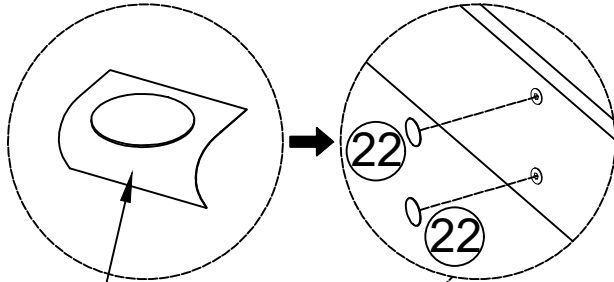
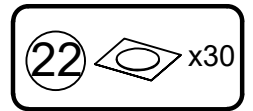
STEP 43



Please tear off the tape.



STEP 44



Please tear off the tape.

