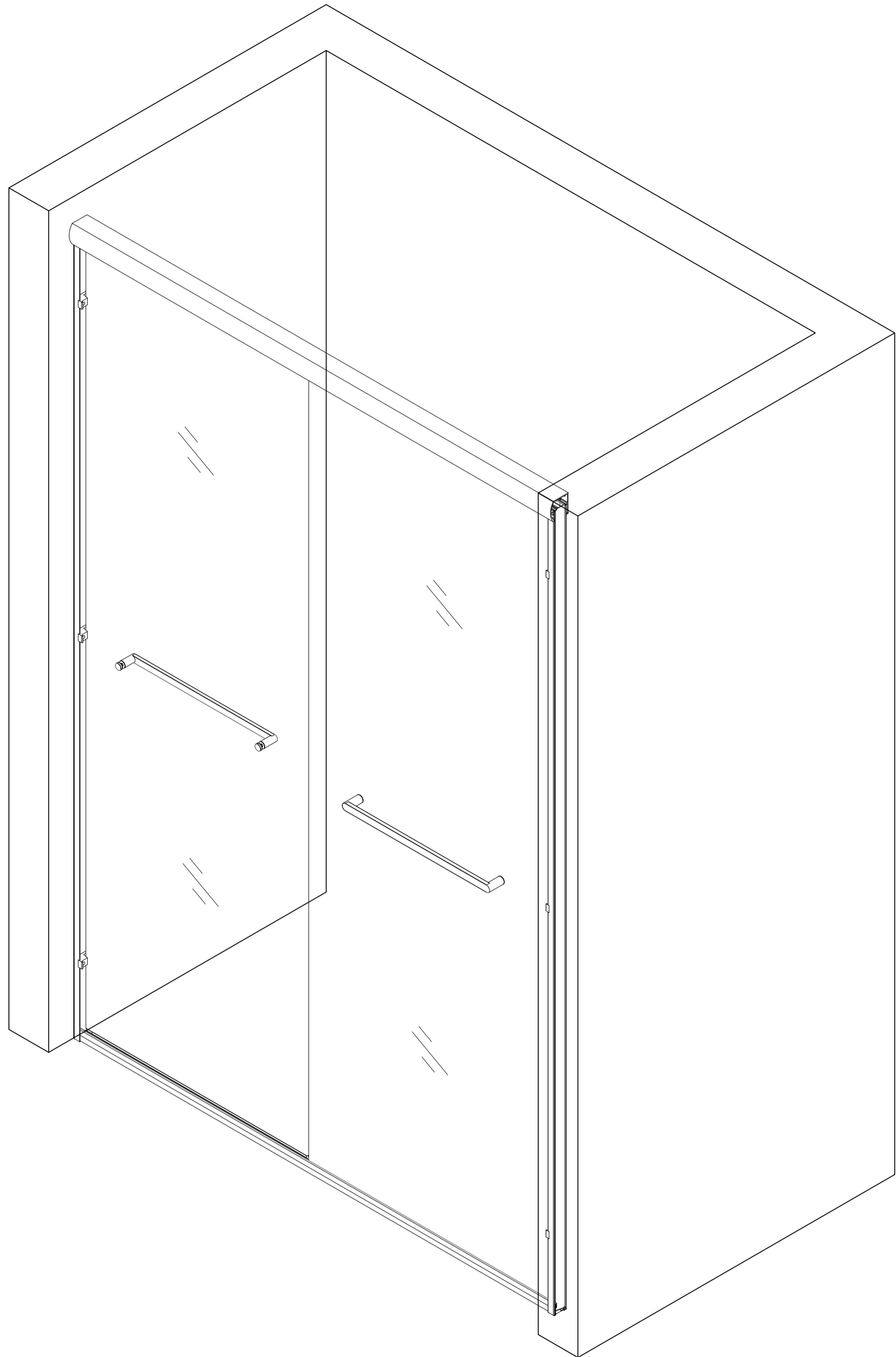
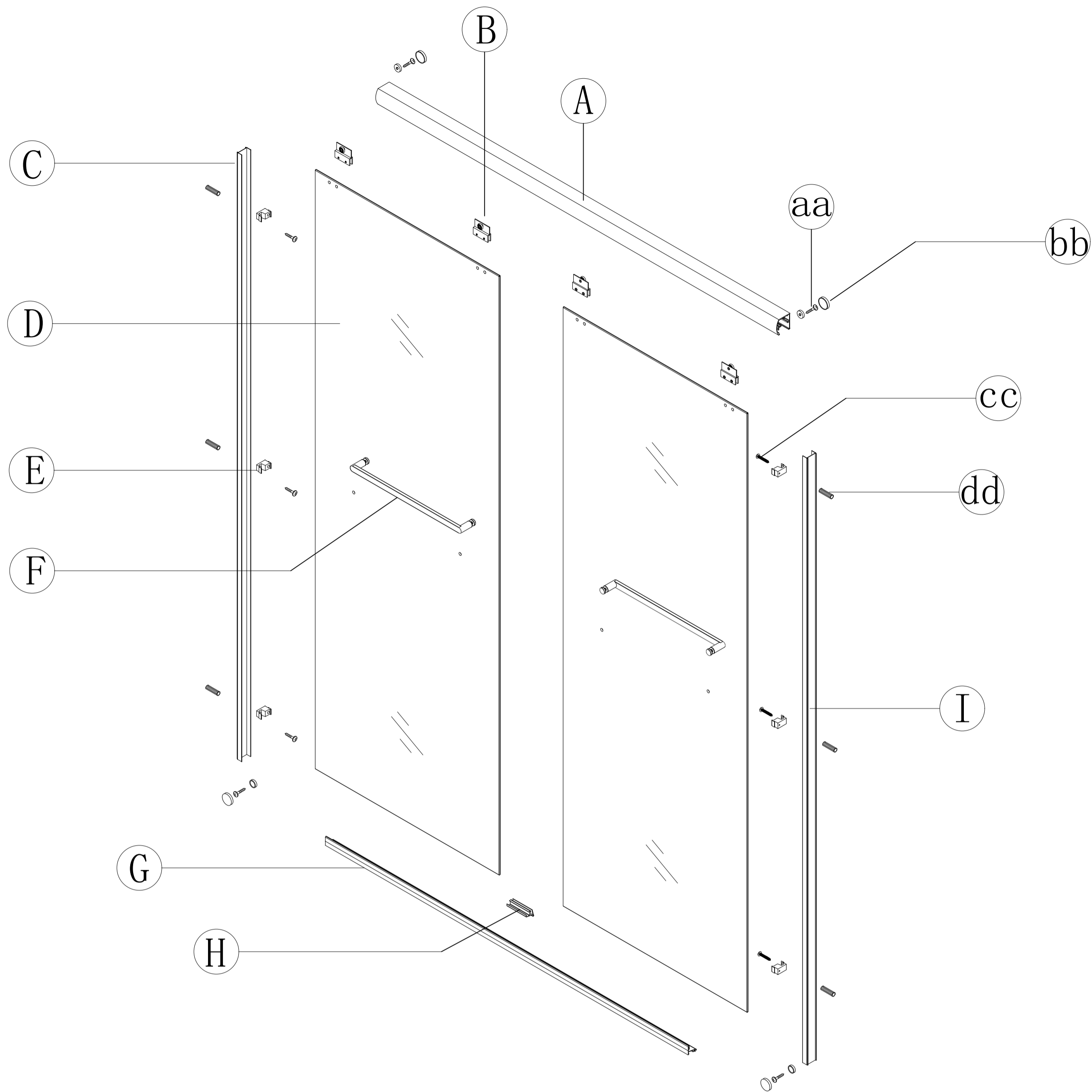


# INSTALLATION MANUAL



**Cut to size according to demand.**

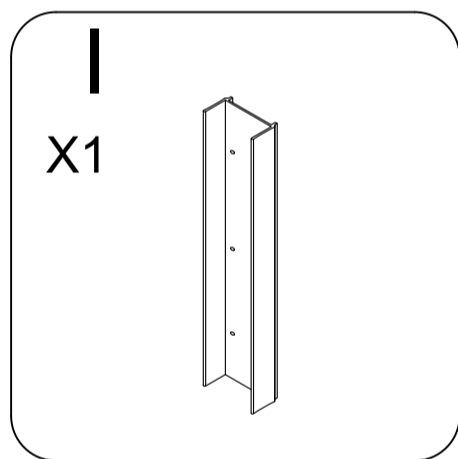
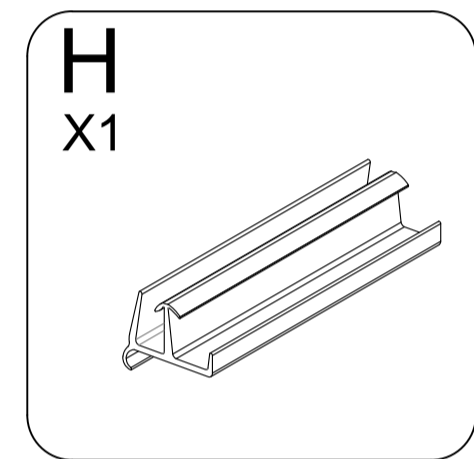
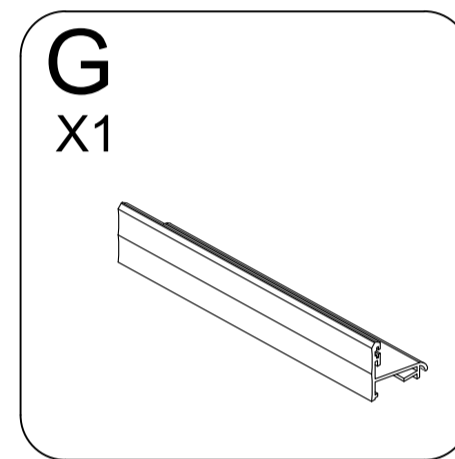
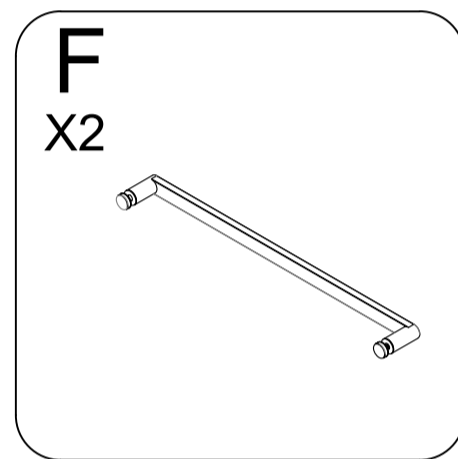
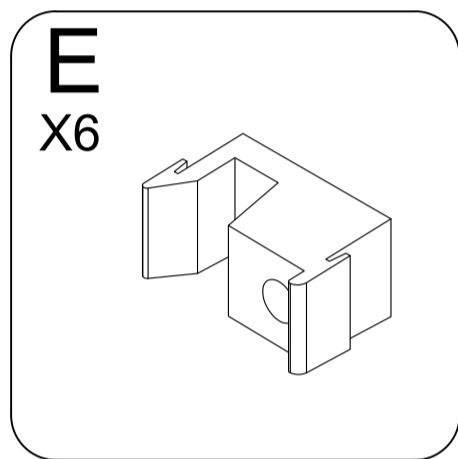
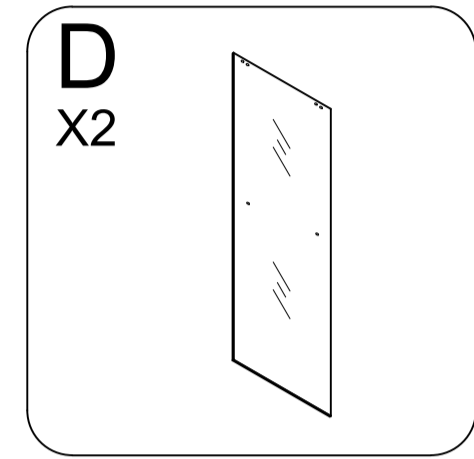
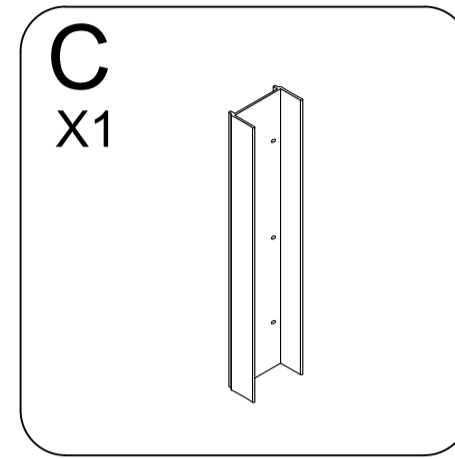
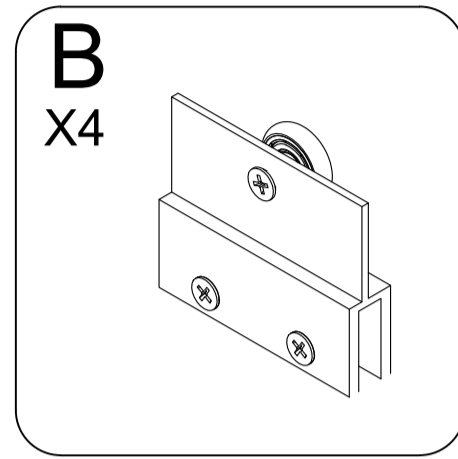
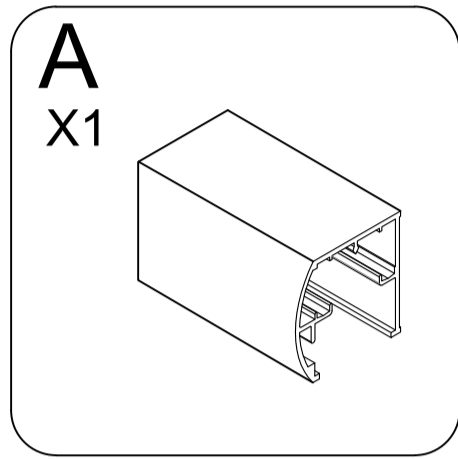


NO	NAME	QTY
A	Top Track	1
B	Pulley	4
C	left wall material	1
D	Movable glass	2
E	Buffer rubber strip	6
F	Handle	2
G	Bottom Track	1

NO	NAME	QTY
H	Lower slider	1
I	right wall material	1
aa	Decorative cover	4
bb	ST4*10	4
cc	Expansion tube φ6	6
dd	ST4*30	6

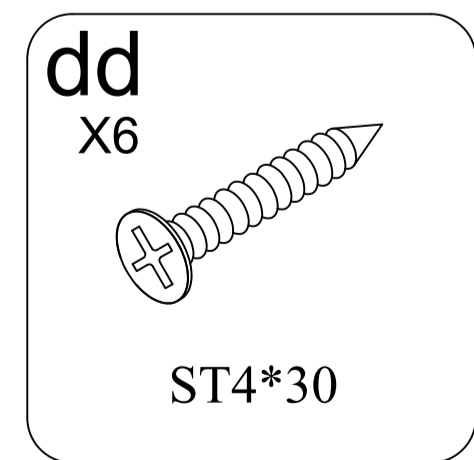
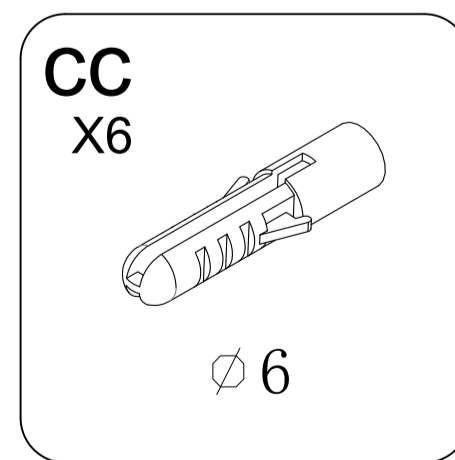
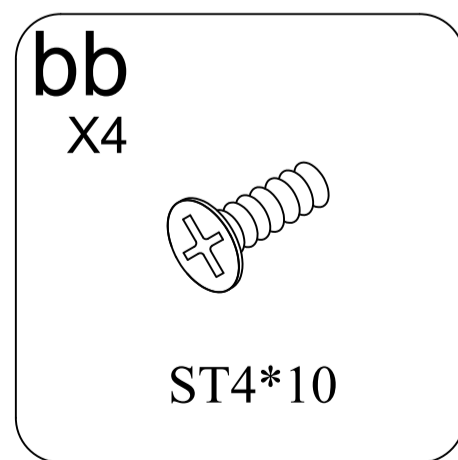
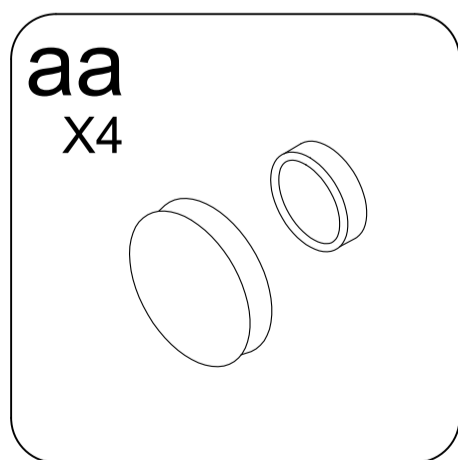
# PACKAGE CONTENT

---



# HARDWARE CONTENT

---

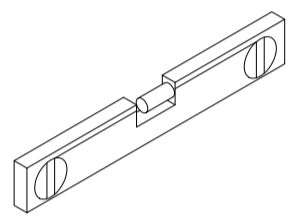


## TOOLS REQUIRED (NOT SUPPLIED)

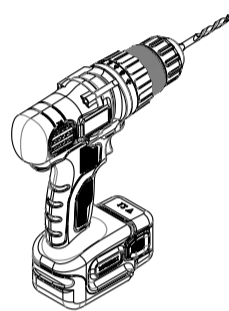
When you're ready to start, make sure that you have the following tools to hand, plenty of space and a clean dry area for assembly.

Two people are needed.

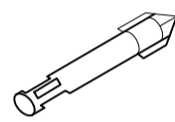
Please note: although these instructions are comprehensive, we always recommend that a technically competent installer should undertake installation.



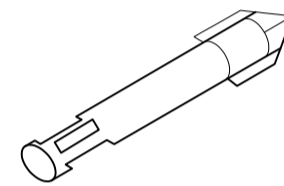
Spirit Level



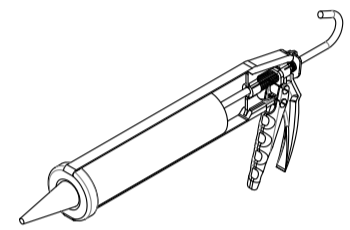
Power Drill



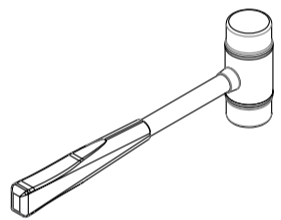
Ø6 Drill Bit



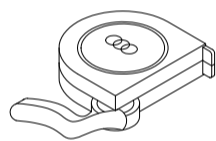
Ø8 Drill Bit



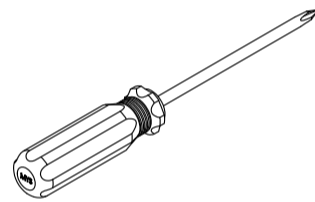
Silicone Sealant



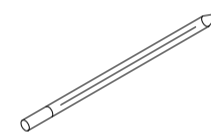
Rubber hammer



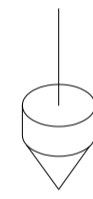
Tape measure



Screw driver



Pencil



Hanging Hammer

## PRE INSTALLATION AND TECHNICAL REQUIREMENTS

All dimensions are shown in millimeters, except where otherwise indicated.

Ensure that the enclosure set is fitted to a level floor and vertical wall surface.

Please note: the wall fixings included with this product are suitable for solid walls only.

Plasterboard or stud walls may require specialist fixings (not supplied).

## IMPORTANT SAFETY NOTES

Please handle all glass with care, avoiding knocks or shock loading to all sides and edges.

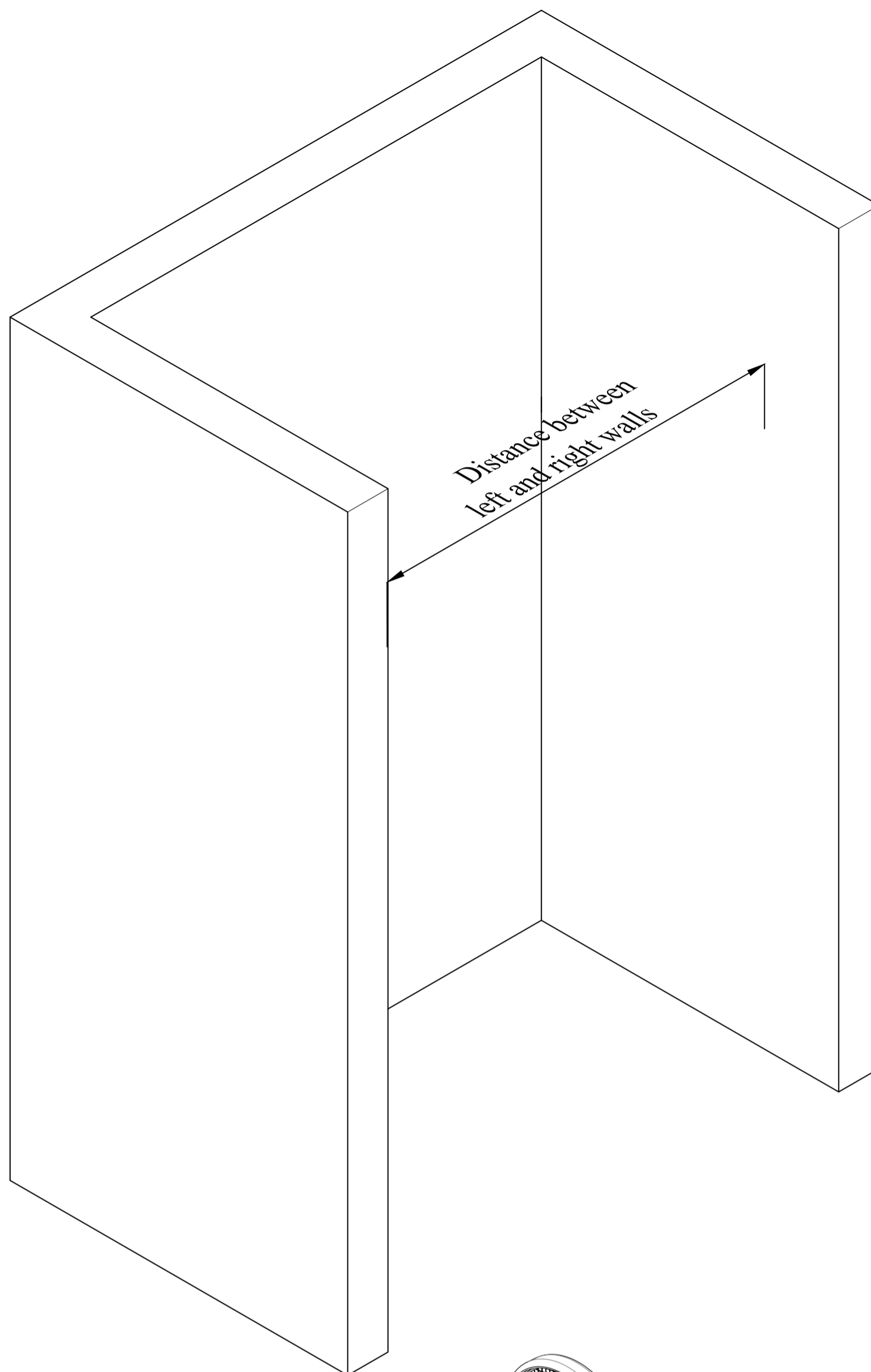
Safety glass cannot be reworked.

Please take care when drilling into walls to avoid hidden pipes or electrical cables.

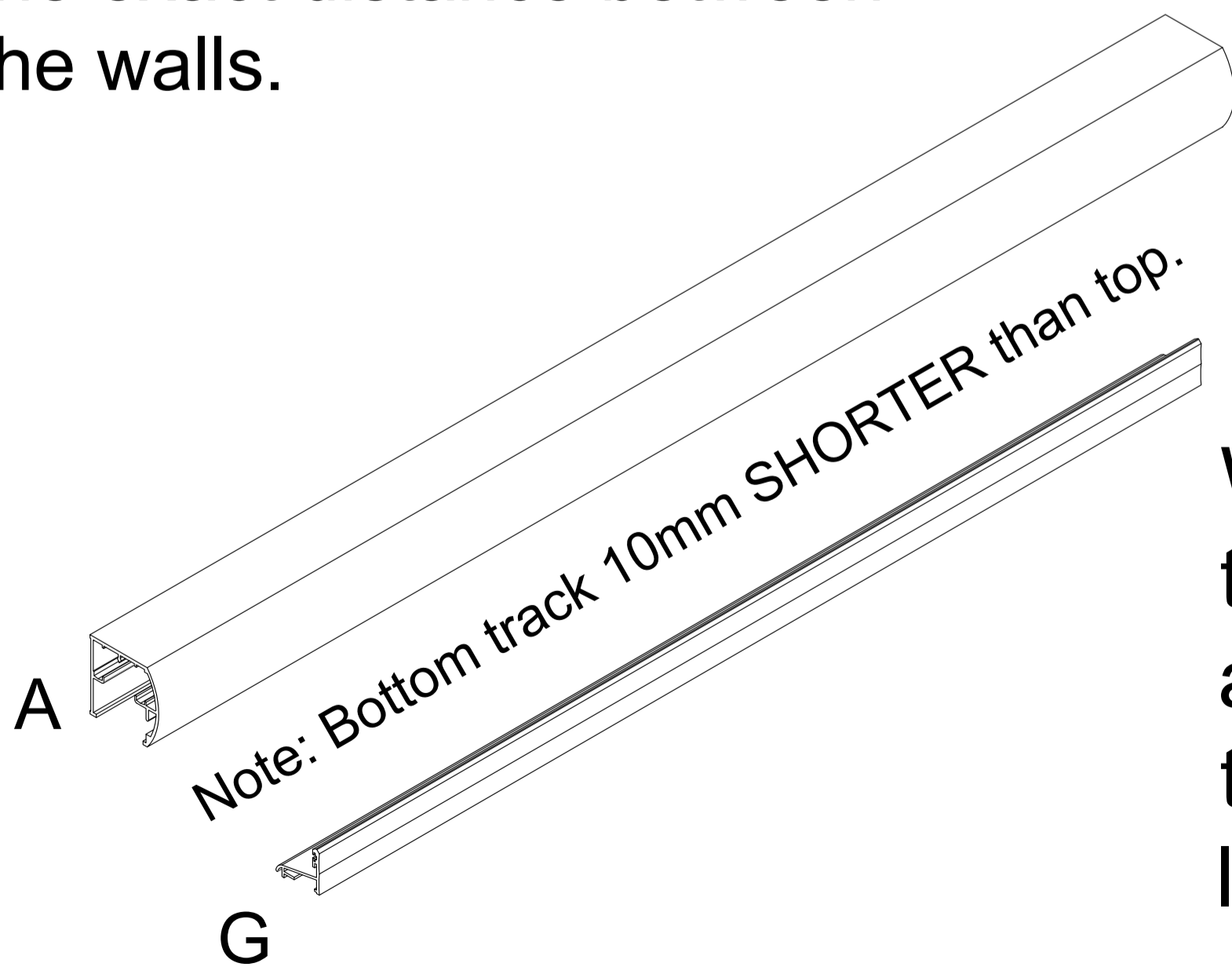
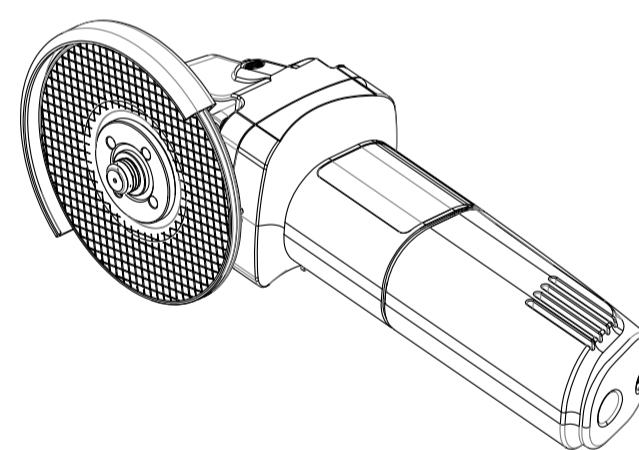
## AFTERCARE INSTRUCTIONS

Soap and water will be adequate to clean the glass a glass cleaner can be used if required.

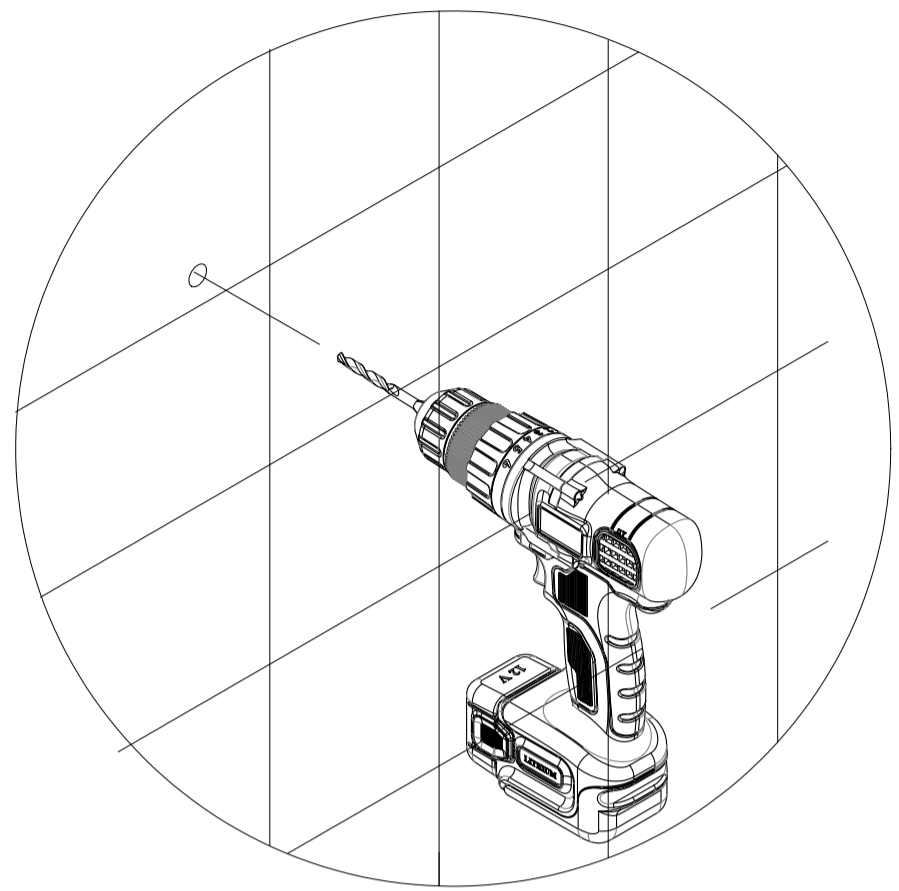
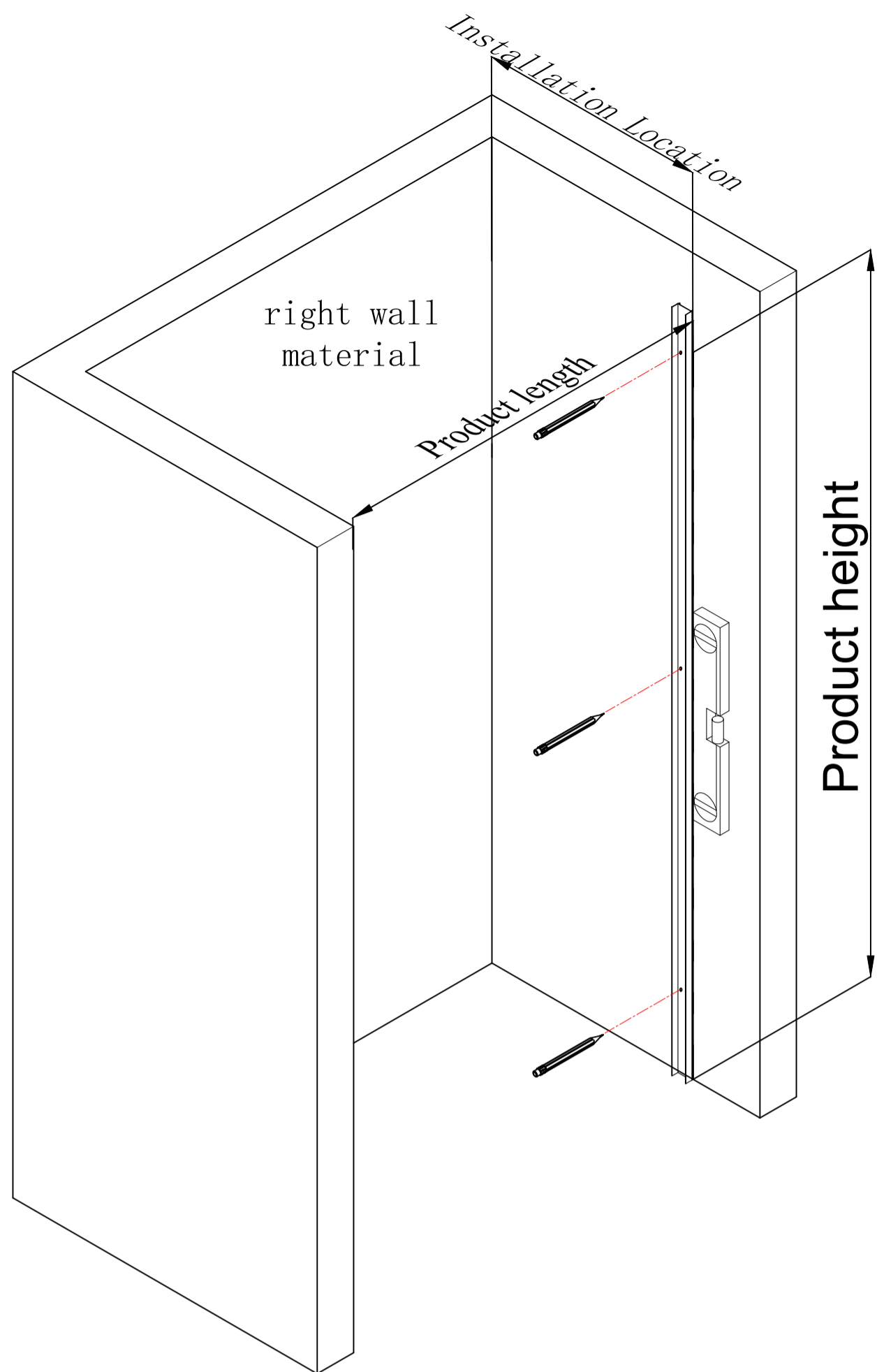
In hard water districts, insoluble lime salts may be deposited on the glass. If this deposit is allowed to build up it becomes increasingly difficult to remove and looks unsightly. Regular cleaning will minimise this effect.



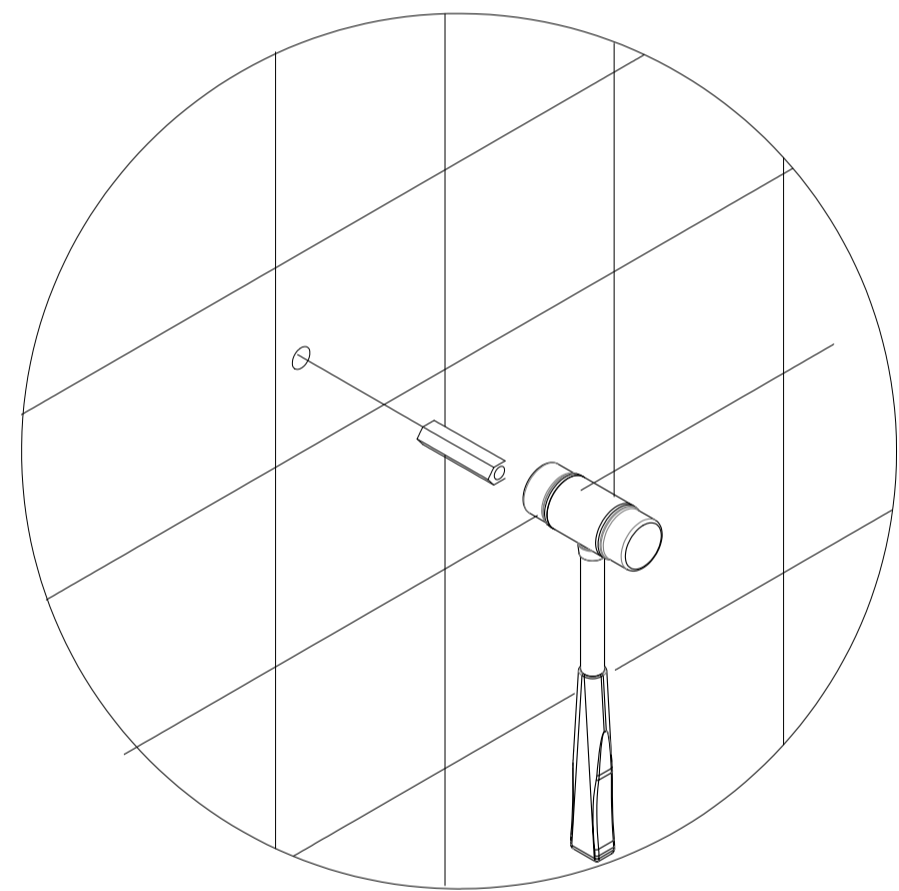
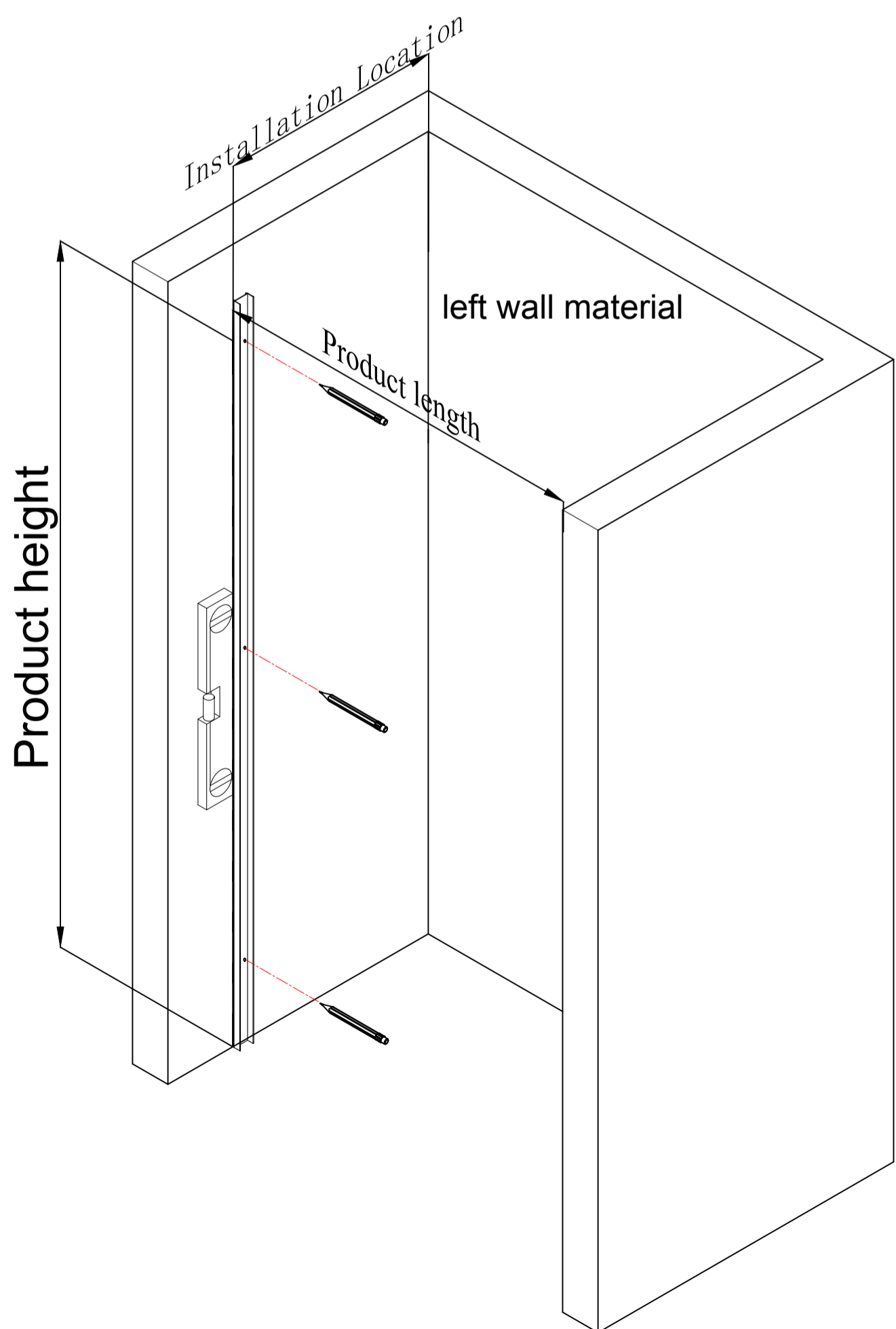
If the top track is too long, you'll need to trim it to match the exact distance between the walls.



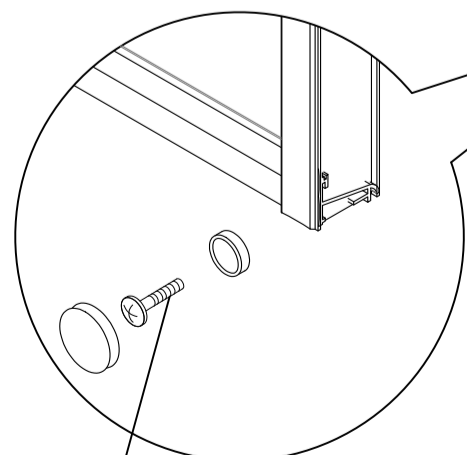
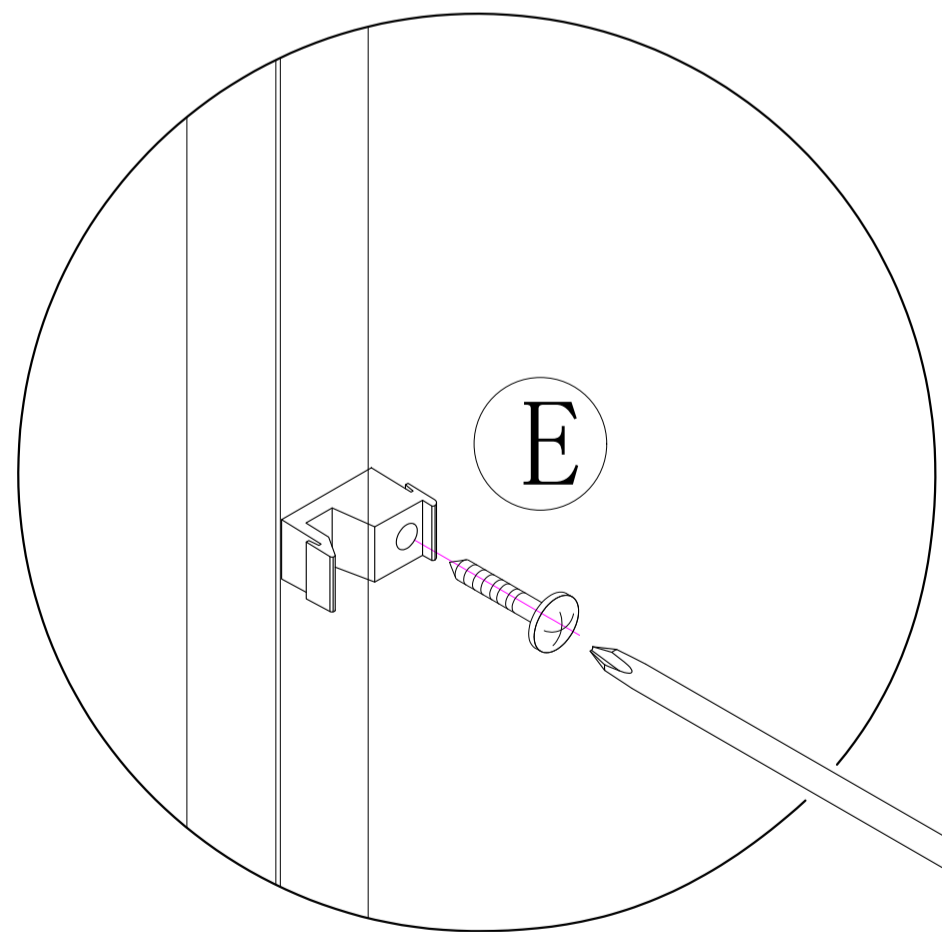
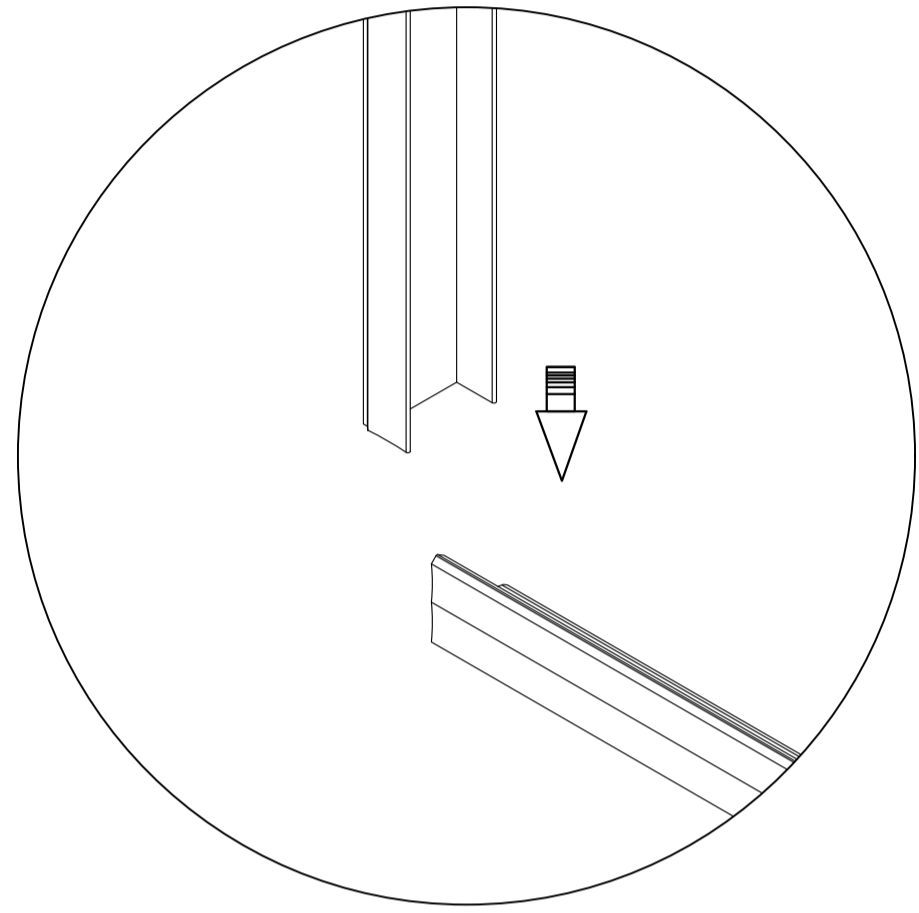
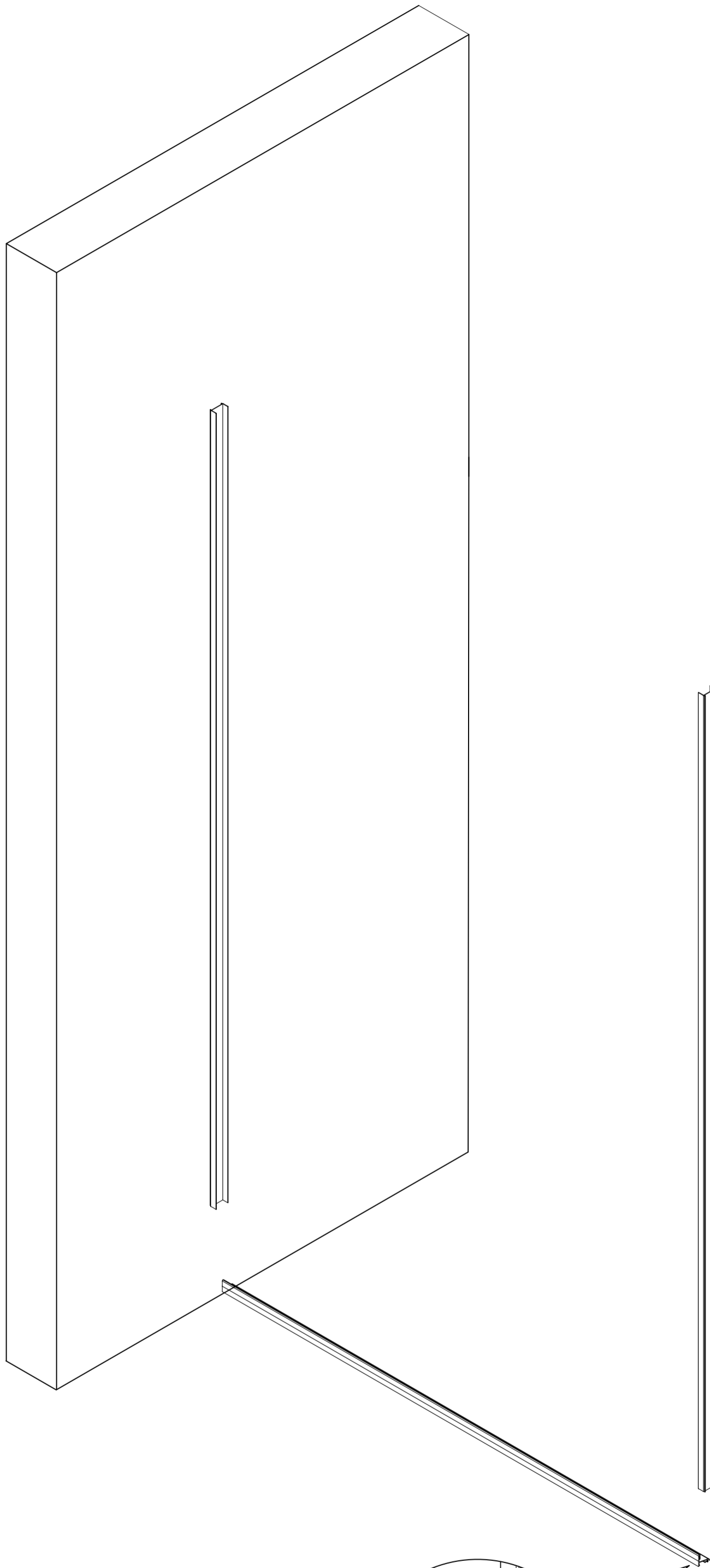
When cutting down the top track, make sure to also cut the bottom track to match its exact length.



⌀6 Drill Bit



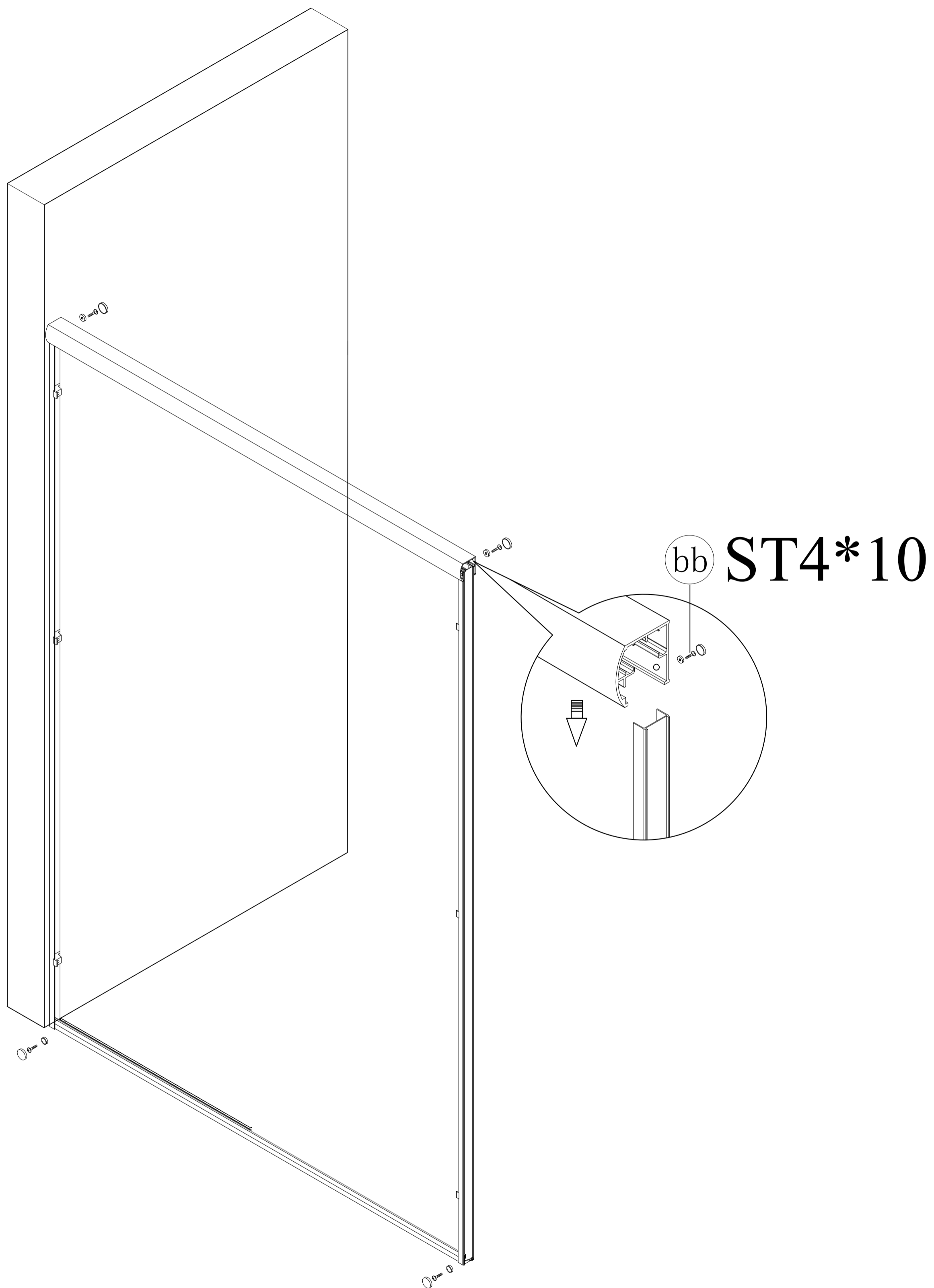
Ⓢ Expansion tube φ6



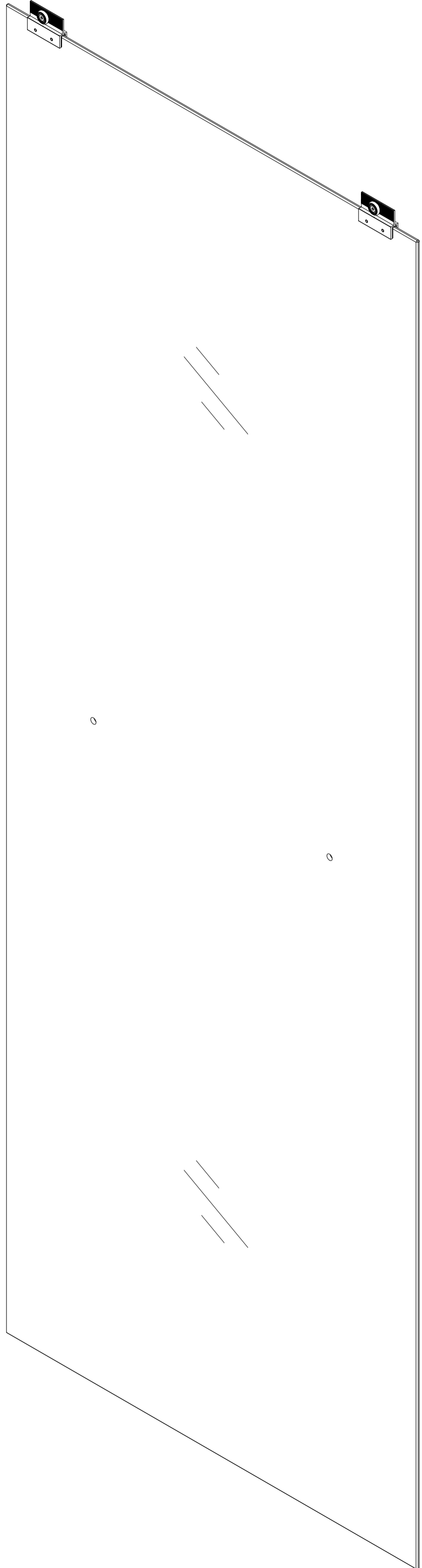
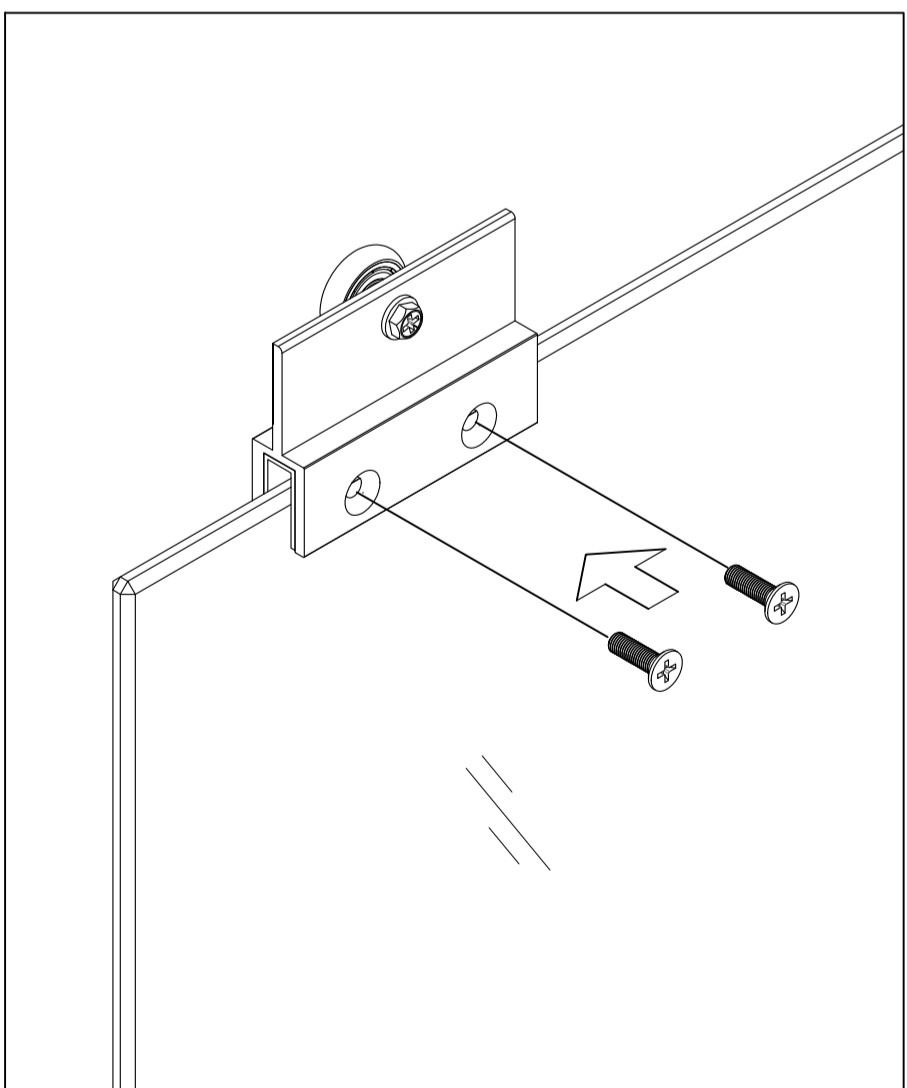
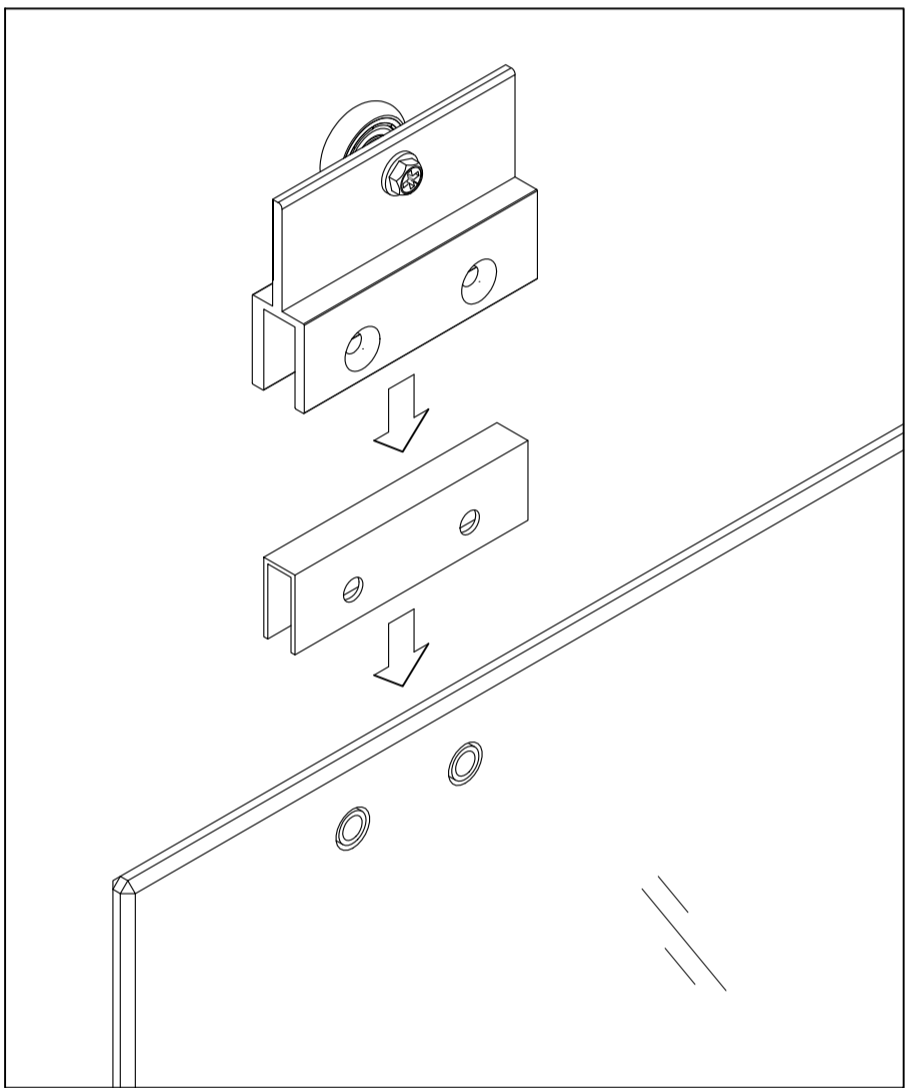
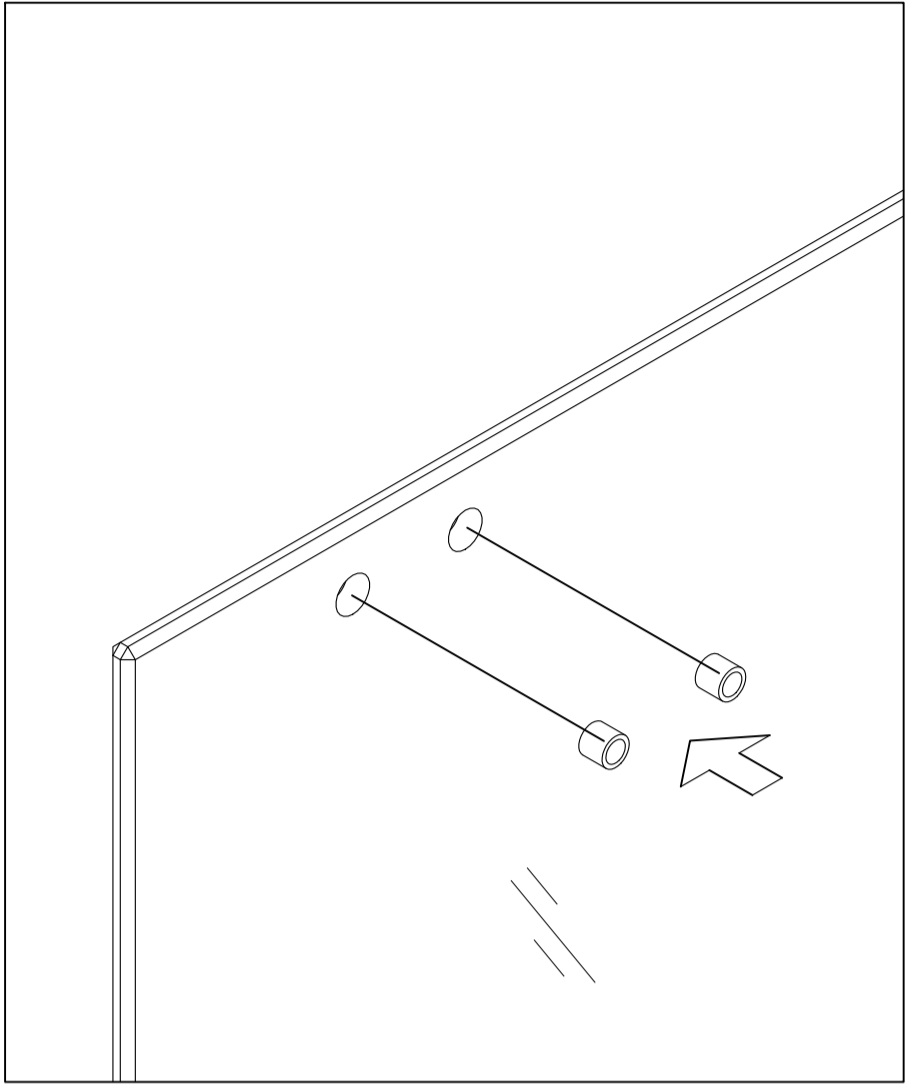
bb ST4\*10

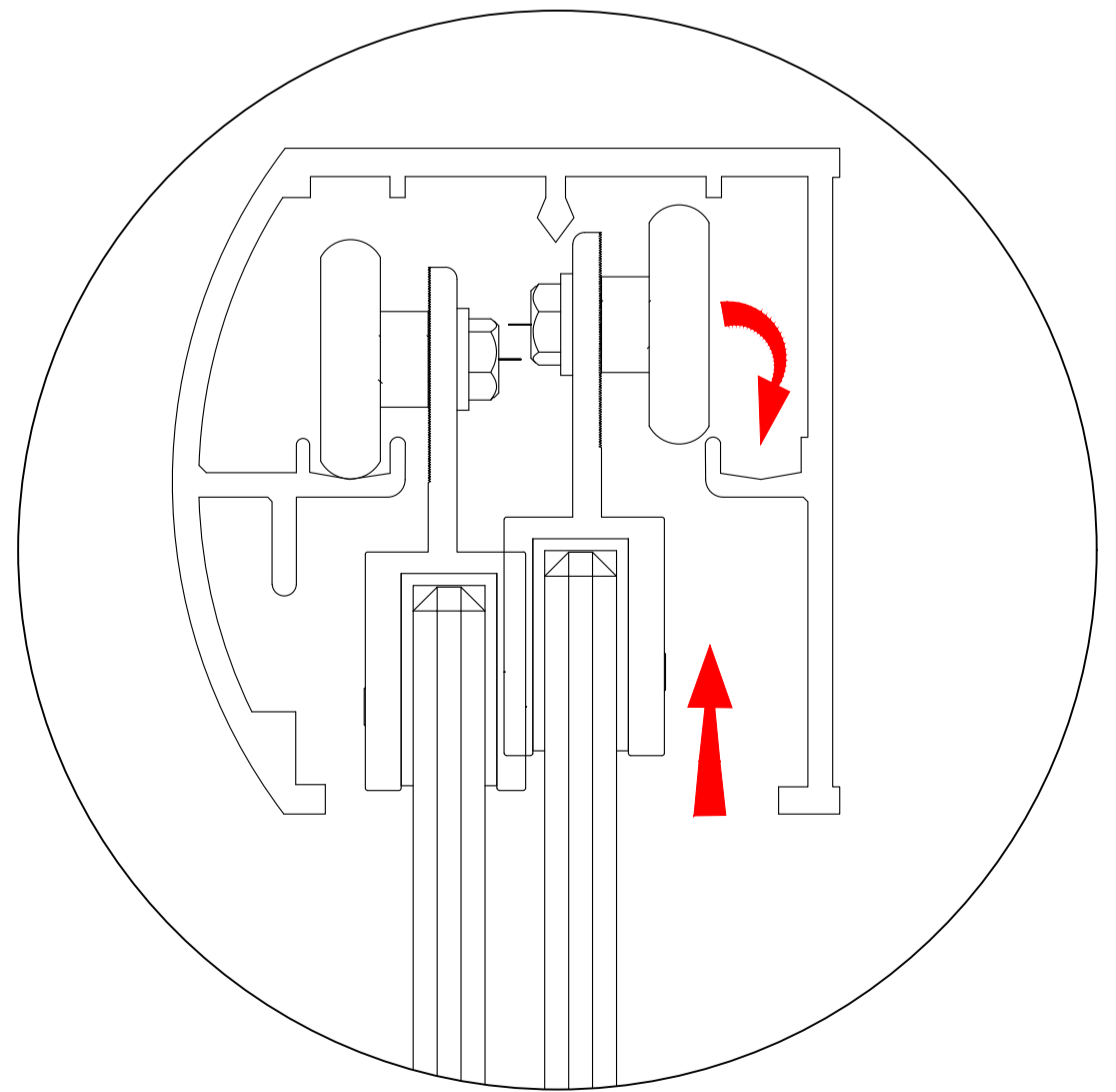
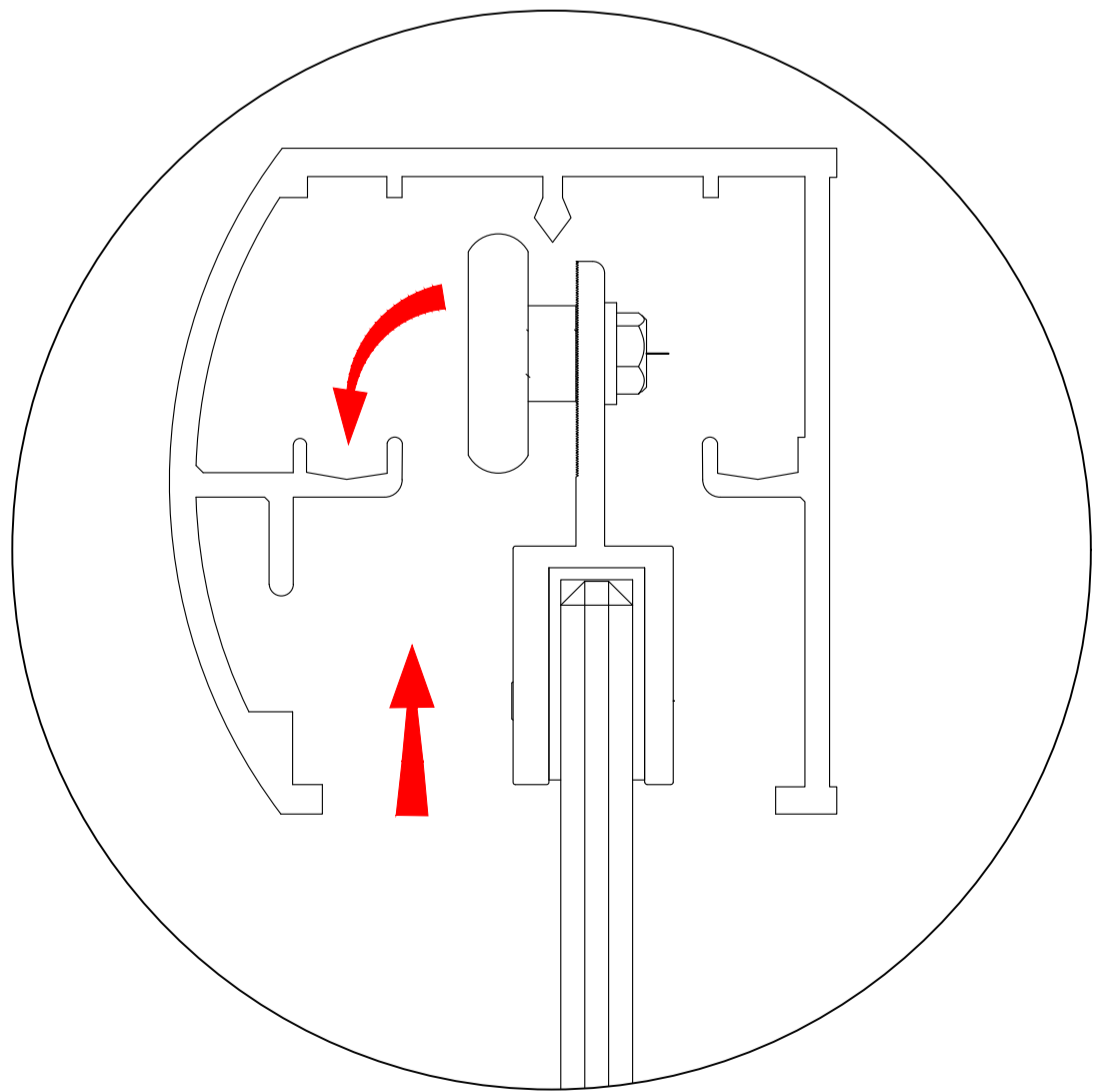
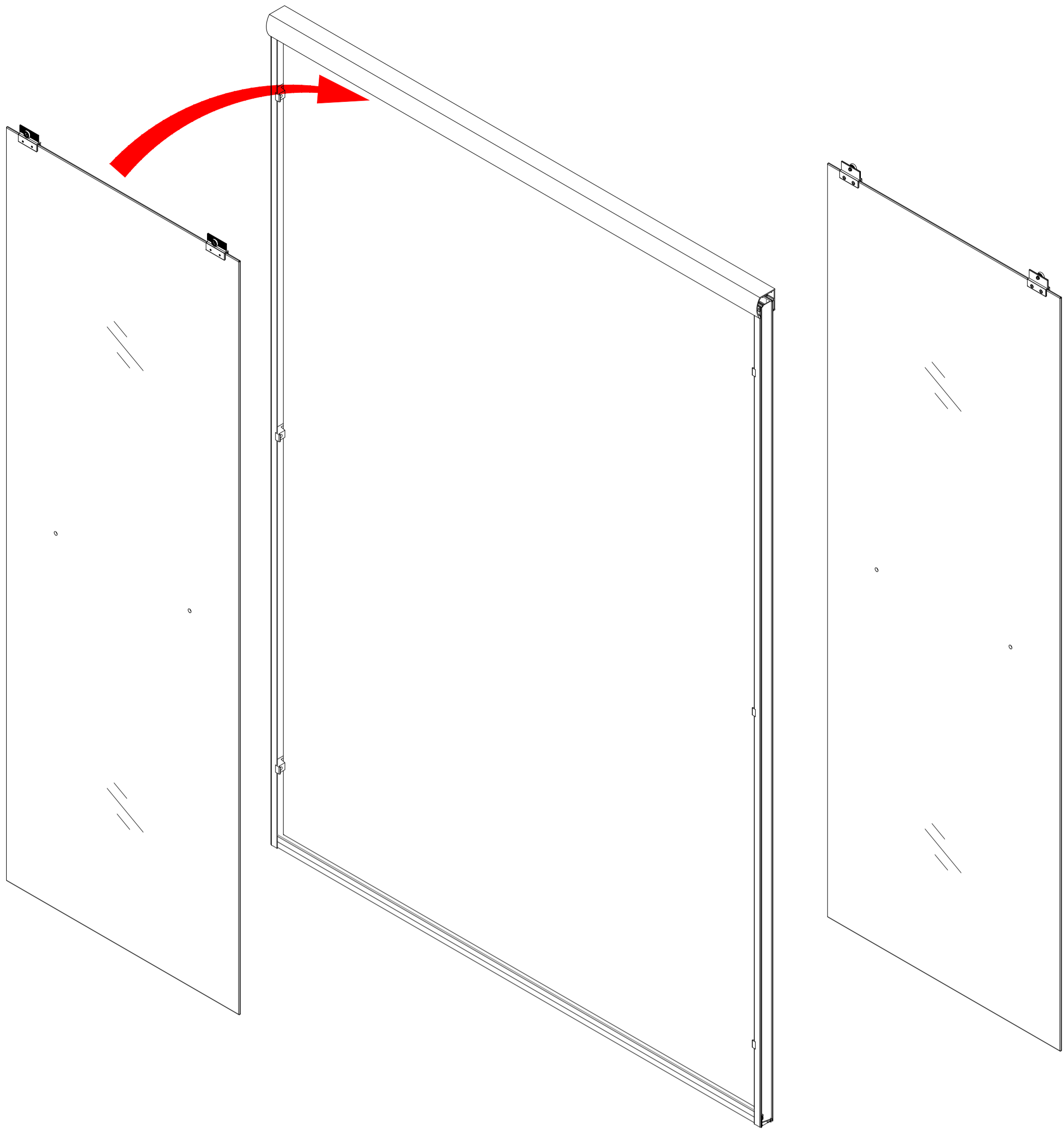
dd ST4\*30

Pay attention to the direction of installing the top rail.

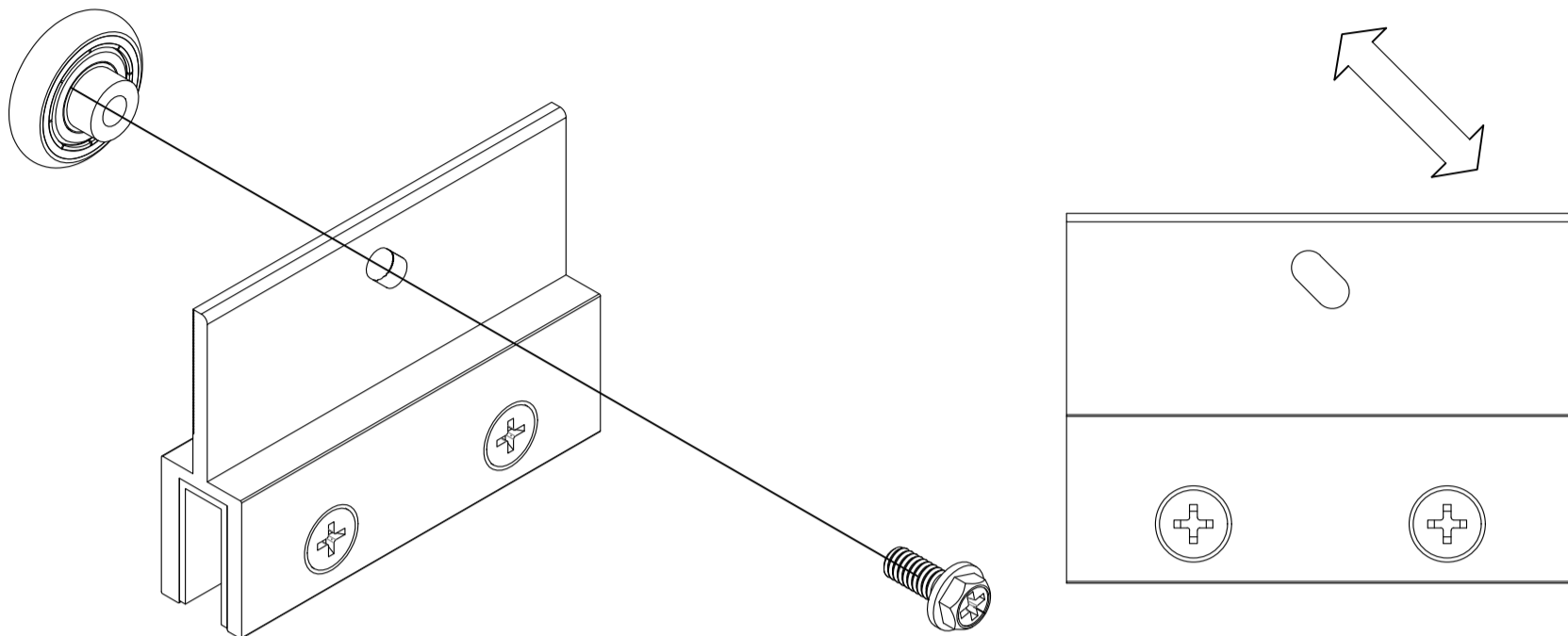


Pay attention to the direction of installing the lower track.

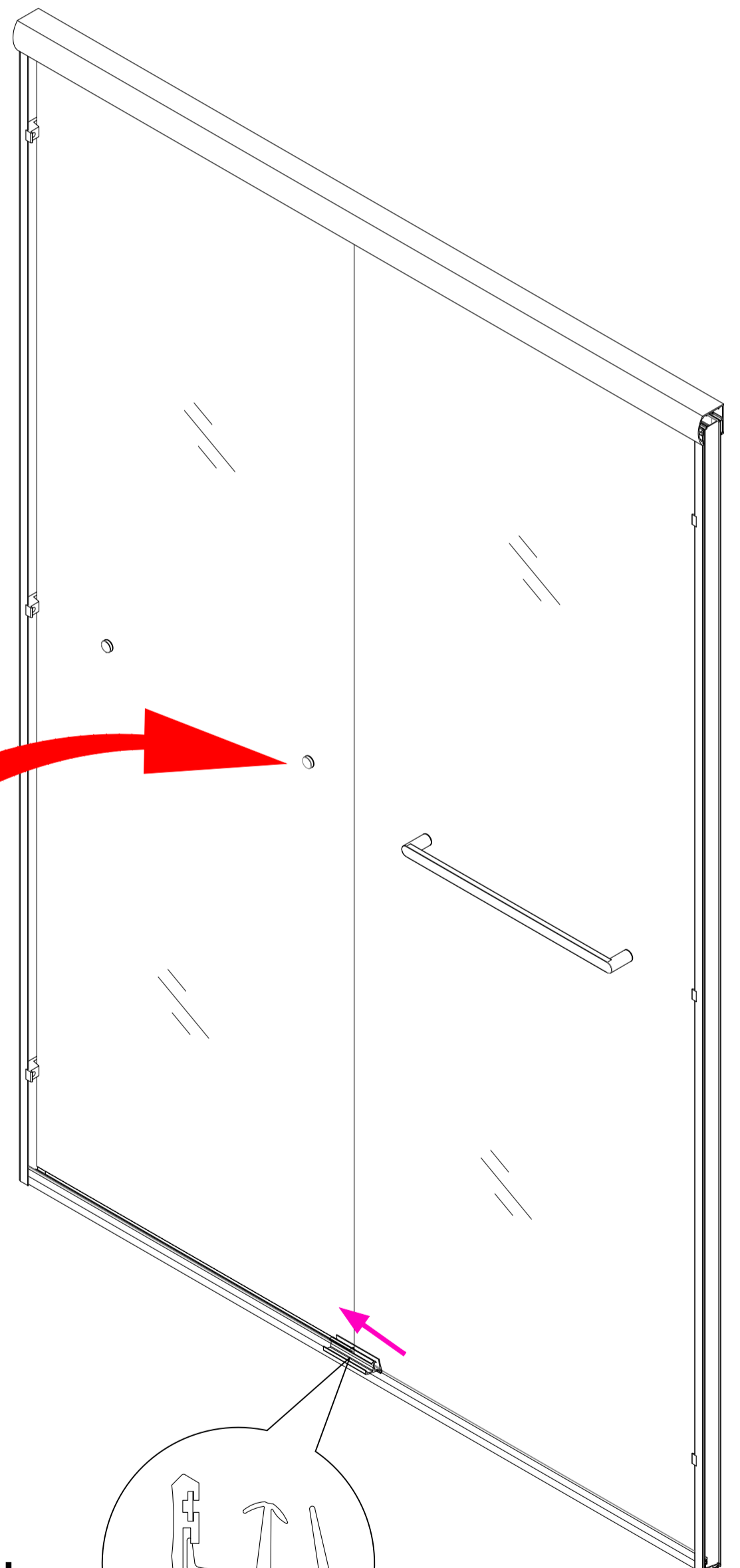
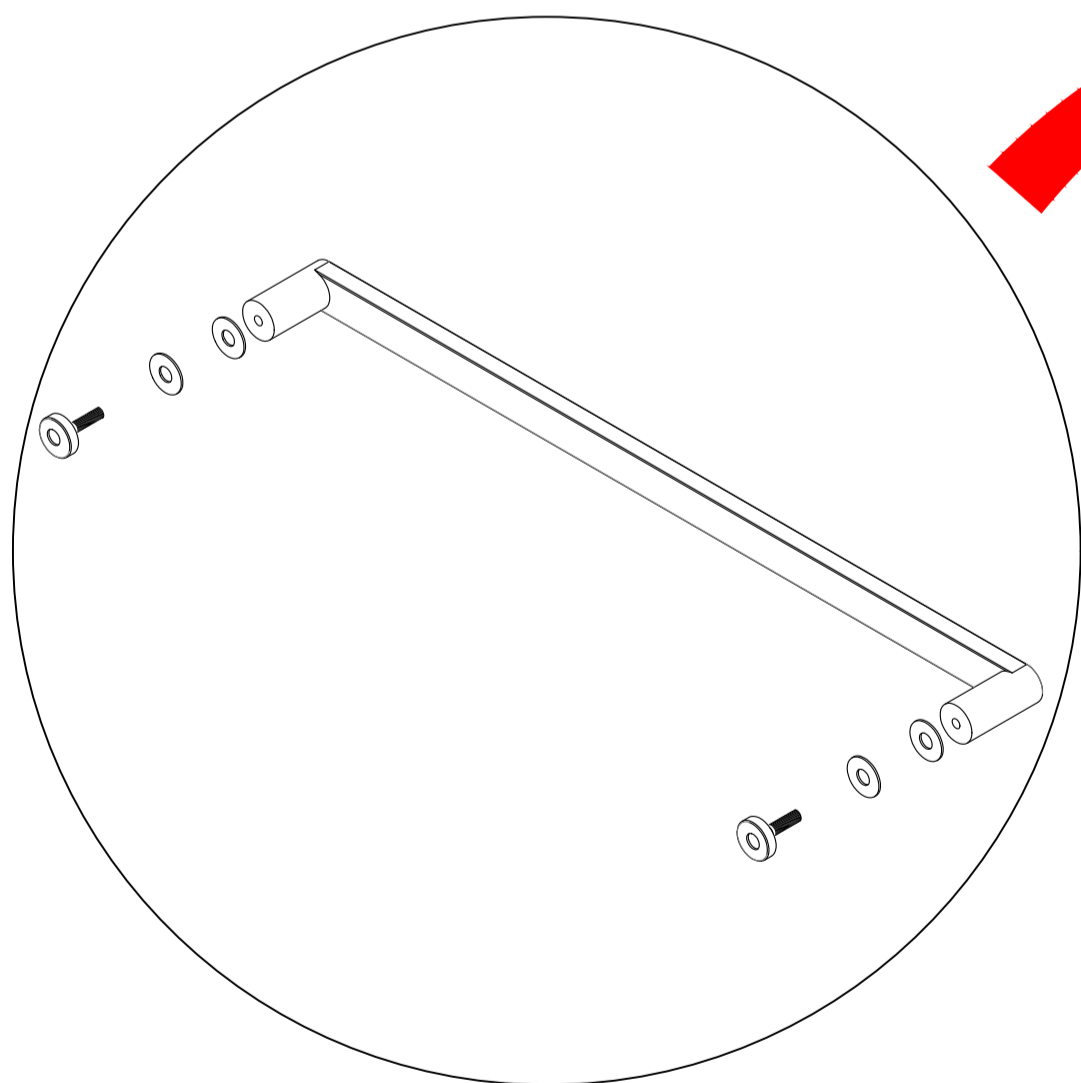




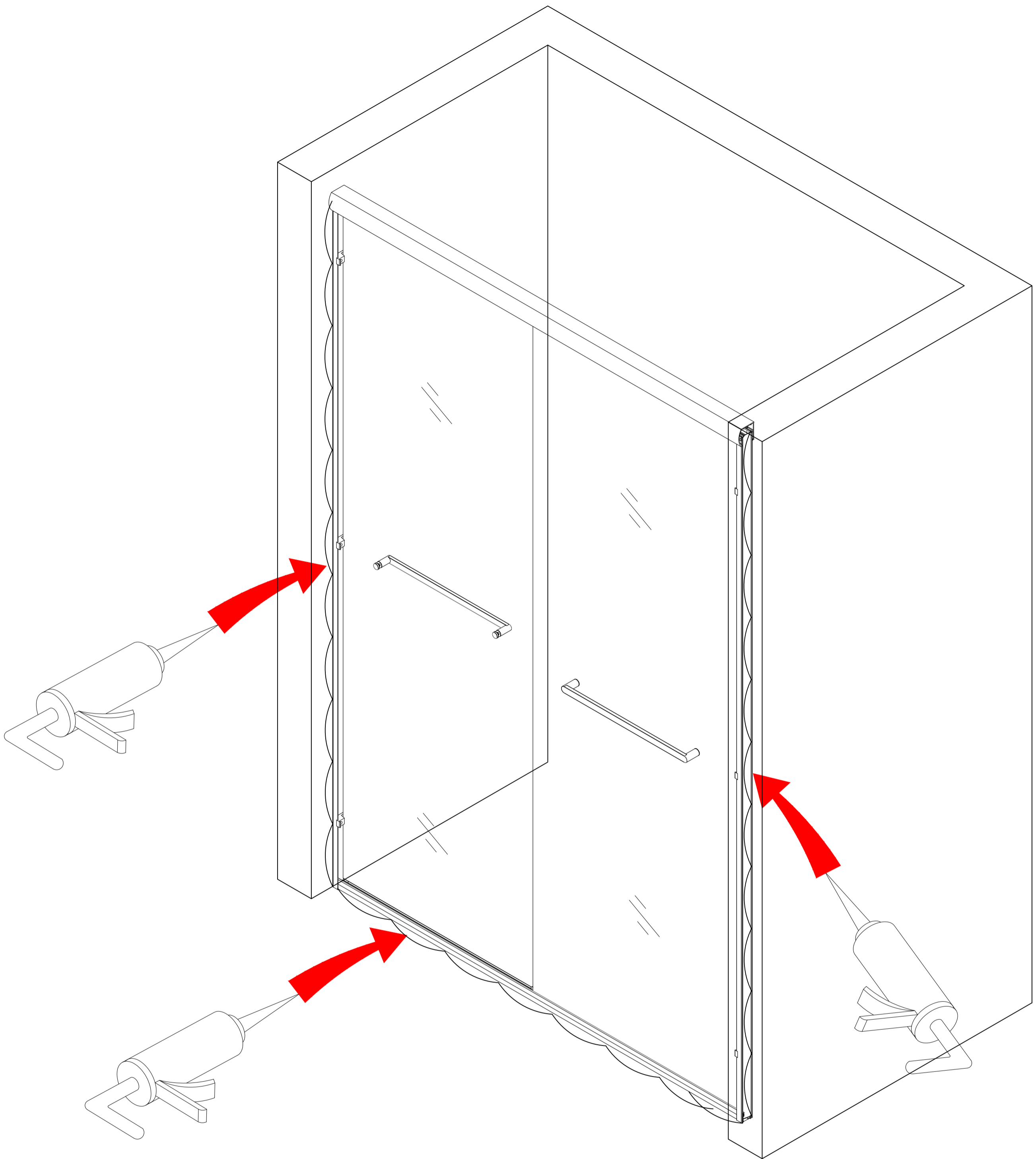
## Adjust the height



If the sliding glass panel is tilting unevenly, you can simply fix it by adjusting the pulleys.



Adjust the sliding door and move the slider to the middle position.



Apply waterproof silicone sealant  
inside and outside.

24 Hours

