

ASSEMBLY INSTRUCTIONS

090-1156

TOOLS REQUIRED:

Allen wrench (Provided, part # D)

BEFORE YOU START:

1. Check the parts against the parts list to make sure all items are present.
2. Assemble your furniture on a soft, flat surface to avoid scratching the finish.
3. **CAUTION:** Do not over tighten screws, nuts or bolts during assembly.
4. Your furniture may require occasional tightening.

INSTRUCTIONS:

1. Attach the top and bottom metal frames to the posts using bolts (A) and flat washers (C), tighten with the wrench (D) as shown in Figure 1.
2. Turn the wooden frame upside down.
3. Attach the leg frame to the wooden frame using bolts (A), lock washers (B) and flat washers (C), tighten with the wrench (D) as shown in Figure 2.

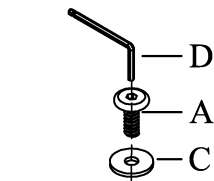
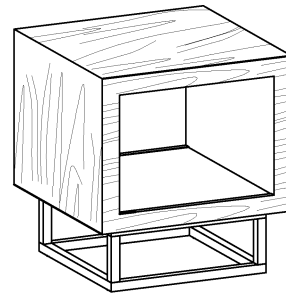


Fig 1

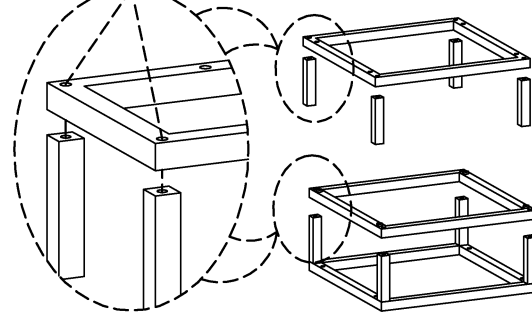
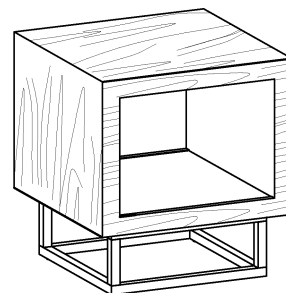
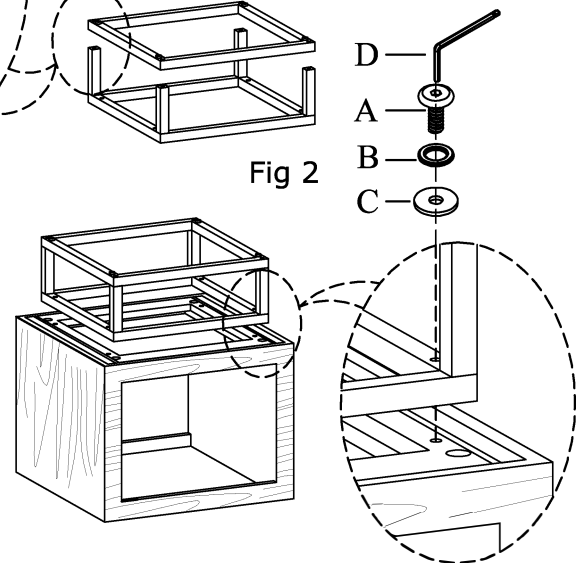






Fig 2



No.	Hardware List		Q'ty
A		Bolt (Ø1/4**1-3/4")	12pcs
B		Lock Washer (Ø1/4")	4pcs
C		Flat Washer (Ø1/4"x16mm)	12pcs
D		Allen Wrench 4mm	1 pc